

GB **Forced draught gas burners**
E **Quemadores de gas con aire soplado**

One stage operation
Funcionamiento a 1 llama

CE

UK
CA

EAC

CODE - CÓDIGO	MODEL - MODELO	TIPO - TYPE
3761158	BS1	911T1
3761258	BS2	912T1
20052601	BS2	912T1
3761316	BS3	913T1
3761358	BS3	913T1
3761416 - 3761458	BS4	914T1
20052612	BS4	914T1



Translation of the original instructions

Traducción de las instrucciones originales

1	Declarations	3
2	Information and general warnings	4
2.1	Information about the instruction manual	4
2.1.1	Introduction	4
2.1.2	General dangers	4
2.1.3	Other symbols	4
2.1.4	Delivery of the system and the instruction manual	5
2.2	Guarantee and responsibility	5
3	Safety and prevention	6
3.1	Introduction	6
3.2	Personnel training	6
4	Technical description of the burner	7
4.1	Burner designation	7
4.2	Models available	7
4.3	Burner categories - Countries of destination	7
4.4	Technical data	8
4.5	Electrical data	8
4.6	Maximum dimensions	9
4.7	Preparing the boiler	9
4.7.1	Boring the boiler plate	9
4.8	Firing rates	10
4.9	Test boiler	11
4.9.1	Commercial boilers	11
4.10	Burner description	12
4.11	Burner equipment	12
4.12	Flame control	13
5	Installation	14
5.1	Notes on safety for the installation	14
5.2	Instructions to avoid burnout or bad combustion of the burner	14
5.3	Handling	14
5.4	Preliminary checks	15
5.5	Operating position	15
5.6	Securing the burner to the boiler	16
5.7	Combustion head adjustment	17
5.7.1	Removing the head assembly	17
5.7.2	Reassembling the head assembly	17
5.8	Positioning the probe - electrode	18
5.9	Gas feeding	19
5.9.1	Gas feeding line	19
5.9.2	Train electrical supply	19
5.9.3	Gas train	20
5.9.4	Gas pressure	20
5.10	Electrical wiring	21
5.10.1	Electrical system carried out by the factory	22
5.11	Operating programme	23
5.12	Table of times	24
5.12.1	Operations status indication	24
5.12.2	Fault diagnostics - lockouts	25
5.12.3	Checking the gas pressure switch	26
5.12.4	Checking the air pressure switch	26
5.12.5	Shut-down test	26
5.12.6	Intermittent operation	26
5.12.7	Recycle and limit of repetitions	26
5.12.8	Presence of an extraneous light or parasite flame	26
5.12.9	Duration of ignition transformer discharge	27
5.12.10	Reset by button and remotely of the burner	27
5.12.11	Protection reset	27

5.12.12	Reset push-button anomaly	27
5.12.13	External lockout signal (S3)	27
5.12.14	Hour counter functioning (B4)	27
5.12.15	Monitoring the power supply voltage	27
5.12.16	Frequency supply error	27
5.12.17	Internal voltage anomaly	27
5.12.18	Checking the fan motor	27
5.12.19	Checking the faults of the 1st and 2nd stage valve and the motor	28
5.12.20	EEPROM check	28
5.12.21	Ionisation current	28
5.12.22	Post-purging	28
5.12.23	Continuous purging	28
5.12.24	Lockout log	29
5.12.25	Logging of burner operating parameters	29
5.12.26	Admissible lengths of the external connections to the burner	29
5.12.27	Long pre-purging	29
5.13	Programming menu	30
5.13.1	General notes	30
5.13.2	Block diagram for entering the menu	30
5.13.3	Shutdown test	31
5.13.4	Post-purging and continuous purging	31
5.13.5	Intermittent operation	31
5.13.6	Setting a long pre-purging	31
5.13.7	Displaying the lockout log	32
5.13.8	Resetting the programming menu parameters and the lockout log	32
5.14	Lockout types	33
6	Start-up, calibration and operation of the burner	34
6.1	Notes on safety for the first start-up	34
6.2	Adjustments prior to ignition	34
6.2.1	Air damper setting	34
6.3	Gas pressure switch	34
6.4	Air pressure switch	34
6.5	Combustion adjustment	34
7	Maintenance	35
7.1	Notes on safety for the maintenance	35
7.2	Maintenance programme	35
7.2.1	Maintenance frequency	35
7.2.2	Safety test - with gas ball valve closed	35
7.2.3	Checking and cleaning	35
7.2.4	Safety components	36
7.3	Opening the burner	36
8	Faults - Possible causes - Solutions	37
8.1	Start-up problems	37
8.2	Operating faults	38
A	Appendix - Accessories	39

1 Declarations

SVGW Declaration

RIELLO S.p.A. declares that the forced draught gas burners model **BS1, BS2, BS3** and **BS4** are in compliance with the following directives and technical requirements:

SSIGA	Gas Appliance Directive G1
AICAA	Fire prevention requirements
	Various cantonal and communal provisions on air quality and energy saving.

Declaration of Conformity A.R. 8/1/2004 & 17/7/2009 – Belgium

Manufacturer: 37045 Legnago (VR) Italy
 Distributed by: Tel. ++39.0442630111
 www.riello.com

This document certifies that the series of devices specified below is in compliance with the model described in the EC Declaration of Conformity and has been manufactured and distributed in compliance with the requirements defined in the Legislative Decree of January 8th 2004 and July 17th 2009.

Product type:	Forced draught gas burner			
Model:	BS1 - BS2 - BS3 - BS4			
Applied standard:	EN 676 and A.R. of January 8th 2004 - July 17th 2009			
Values measured:	BS1	CO max: 13 mg/kWh Max. NOx: 66 mg/kWh	BS3	CO max: 15 mg/kWh Max. NOx: 52 mg/kWh
	BS2	CO max: 13 mg/kWh Max. NOx: 52 mg/kWh	BS4	CO max: 11 mg/kWh Max. NOx: 54 mg/kWh
Controlling organisation:	Kiwa Cermet Italia S.p.A. Via Treviso 32-34 I-31020 San Vendemiano (TV)			

2 Information and general warnings

2.1 Information about the instruction manual

2.1.1 Introduction

The instruction manual supplied with the burner:

- is an integral and essential part of the product and must not be separated from it; it must therefore be kept carefully for any necessary consultation and must accompany the burner even if it is transferred to another owner or user, or to another system. If the manual is lost or damaged, another copy must be requested from the Technical Assistance Centre of the area;
- is designed for use by qualified personnel;
- offers important indications and instructions relating to the installation safety, start-up, use and maintenance of the burner.

Symbols used in the manual

In some parts of the manual you will see triangular DANGER signs. Pay great attention to these, as they indicate a situation of potential danger.

2.1.2 General dangers

The **dangers** can be of **3 levels**, as indicated below.



Maximum danger level!
This symbol indicates operations which, if not carried out correctly, cause serious injury, death or long-term health risks.



This symbol indicates operations which, if not carried out correctly, may cause serious injury, death or long-term health risks.



This symbol indicates operations which, if not carried out correctly, may cause damage to the machine and/or injury to people.

2.1.3 Other symbols



DANGER: LIVE COMPONENTS
This symbol indicates operations which, if not carried out correctly, lead to electric shocks with lethal consequences.



DANGER: FLAMMABLE MATERIAL
This symbol indicates the presence of flammable materials.



DANGER: BURNING
This symbol indicates the risks of burns due to high temperatures.



DANGER: CRUSHING OF LIMBS
This symbol indicates the presence of moving parts: danger of crushing of limbs.



WARNING: MOVING PARTS
This symbol indicates that you must keep limbs away from moving mechanical parts; danger of crushing.



DANGER: EXPLOSION
This symbol signals places where an explosive atmosphere may be present. An explosive atmosphere is defined as a mixture - under atmospheric conditions - of air and flammable substances in the form of gases, vapours, mist or dust in which, after ignition has occurred, combustion spreads to the entire unburned mixture.



PERSONAL PROTECTION EQUIPMENT
These symbols indicate the equipment that must be worn and kept by the operator for protection against threats against safety and/or health while at work.



OBLIGATION TO ASSEMBLE THE COVER AND ALL THE SAFETY AND PROTECTION DEVICES
This symbol signals the obligation to reassemble the cover and all the safety and protection devices of the burner after any maintenance, cleaning or checking operations.



ENVIRONMENTAL PROTECTION
This symbol gives indications for the use of the machine with respect for the environment.



IMPORTANT INFORMATION
This symbol indicates important information that you must bear in mind.

- This symbol indicates a list.

Abbreviations used

Ch.	Chapter
Fig.	Figure
Page	Page
Sec.	Section
Tab.	Table

2.1.4 Delivery of the system and the instruction manual

When the system is delivered, it is important that:

- the instruction manual is delivered to the user by the system manufacturer, with the recommendation to keep it in the room where the heat generator is to be installed.
- The instruction manual shows:
 - the serial number of the burner;

.....

- the address and telephone number of the nearest Assistance Centre

.....

.....

.....

- The system supplier must carefully inform the user about:
 - the use of the system;
 - any further tests that may be required before activating the system;
 - maintenance, and the need to have the system checked at least once a year by a representative of the manufacturer or another specialised technician. To ensure a periodic check, the manufacturer recommends the drawing up of a Maintenance Contract.

2.2 Guarantee and responsibility

The manufacturer guarantees its new products from the date of installation, in accordance with the regulations in force and/or the sales contract. At the moment of the first start-up, check that the burner is integral and complete.



WARNING

Failure to observe the information given in this manual, operating negligence, incorrect installation and carrying out of non authorised modifications will result in the annulment by the manufacturer of the guarantee that it supplies with the burner.

In particular, the rights to the guarantee and the responsibility will no longer be valid, in the event of damage to things or injury to people, if such damage/injury was due to any of the following causes:

- incorrect installation, start-up, use and maintenance of the burner;
- improper, incorrect or unreasonable use of the burner;
- intervention of unqualified personnel;
- carrying out of unauthorised modifications on the equipment;
- use of the burner with safety devices that are faulty, incorrectly applied and/or not working;
- installation of untested supplementary components on the burner;
- powering of the burner with unsuitable fuels;
- faults in the fuel supply system;
- continuation of use of the burner when a fault has occurred;
- repairs and/or overhauls incorrectly carried out;
- modification of the combustion chamber with inserts that prevent the regular development of the structurally established flame;
- insufficient and inappropriate surveillance and care of those burner components most likely to be subject to wear and tear;
- use of non-original components, including spare parts, kits, accessories and optional;
- force majeure.

The manufacturer furthermore declines any and every responsibility for the failure to observe the contents of this manual.

3 Safety and prevention

3.1 Introduction

The burners have been designed and built in compliance with current regulations and directives, applying the known technical rules of safety and envisaging all the potential danger situations. It is necessary, however, to bear in mind that the imprudent and clumsy use of the equipment may lead to situations of death risk for the user or third parties, as well as the damaging of the burner or other items. Inattention, thoughtlessness and excessive confidence often cause accidents; the same applies to tiredness and sleepiness.

It is a good idea to remember the following:

- The burner must only be used as expressly described. Any other use should be considered improper and therefore dangerous.

In particular:

it can be applied to boilers operating with water, steam, diathermic oil, and to other uses expressly named by the manufacturer; the type and pressure of the fuel, the voltage and frequency of the electrical power supply, the minimum and maximum deliveries for which the burner has been regulated, the pressurisation of the combustion chamber, the dimensions of the combustion chamber and the ambient temperature must all be within the values indicated in the instruction manual.

- Modification of the burner to alter its performance and destinations is not allowed.
- The burner must be used in exemplary technical safety conditions. Any disturbances that could compromise safety must be quickly eliminated.
- Opening or tampering with the burner components is not allowed, apart from the parts requiring maintenance.
- Only those parts envisaged by the manufacturer can be replaced.



The manufacturer guarantees safety and proper functioning only if all burner components are intact and positioned correctly.

3.2 Personnel training

The user is the person, body or company that has acquired the machine and intends to use it for the specific purpose. He is responsible for the machine and for the training of the people working around it.

The user:

- undertakes to entrust the machine exclusively to suitably trained and qualified personnel;
- undertakes to inform his personnel in a suitable way about the application and observance of the safety instructions. With that aim, he undertakes to ensure that everyone knows the use and safety instructions for his own duties;
- Personnel must observe all the danger and caution indications shown on the machine.
- Personnel must not carry out, on their own initiative, operations or interventions that are not within their province.
- Personnel must inform their superiors of every problem or dangerous situation that may arise.
- The assembly of parts of other makes, or any modifications, can alter the characteristics of the machine and hence compromise operating safety. The manufacturer therefore declines any and every responsibility for any damage that may be caused by the use of non-original parts.

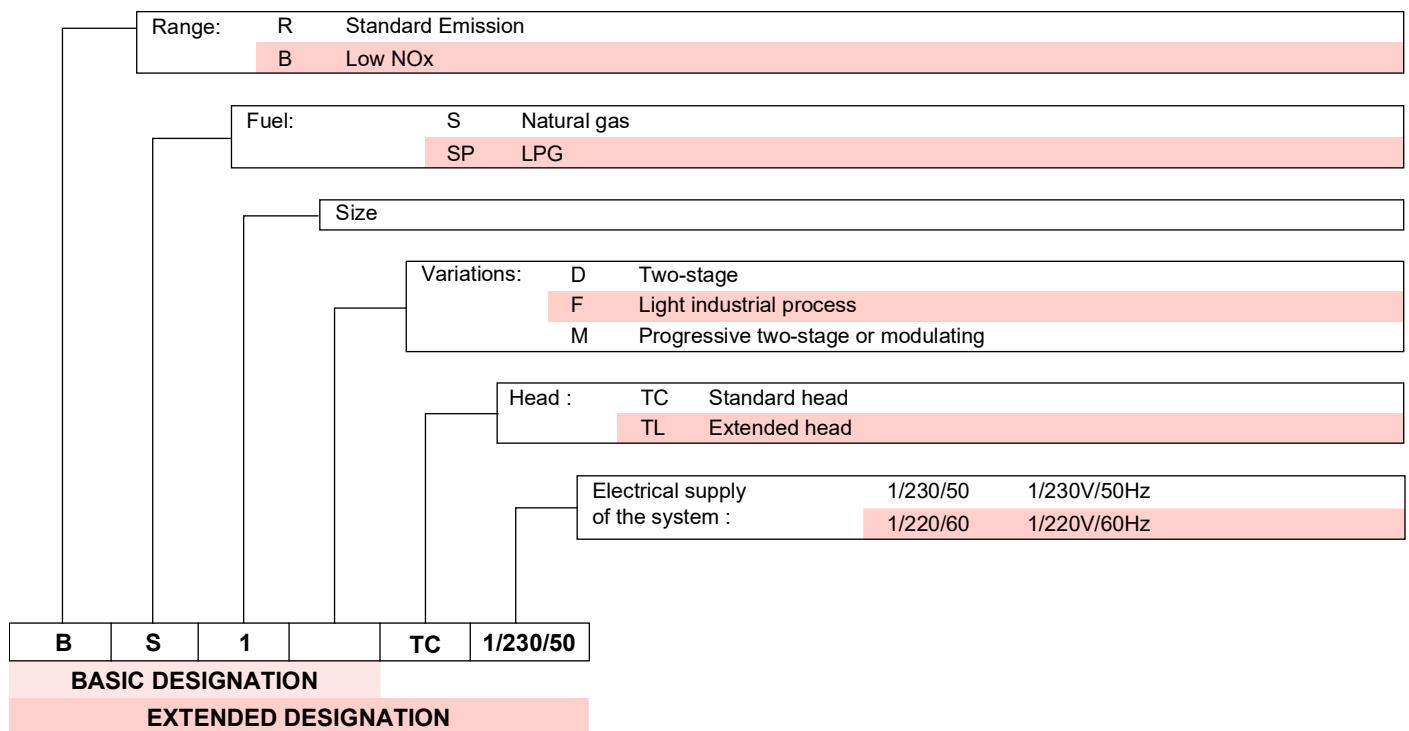
In addition:



- must take all the measures necessary to prevent unauthorised people gaining access to the machine;
- the user must inform the manufacturer if faults or malfunctioning of the accident prevention systems are noticed, along with any presumed danger situation;
- personnel must always use the personal protective equipment envisaged by legislation and follow the indications given in this manual.

4 Technical description of the burner

4.1 Burner designation



4.2 Models available

Designation	Combustion head	Voltage	Code
BS1	TC	1/230/50	3761158
BS2	TC	1/230/50	3761258
BS2 TL	TL	1/230/50	20052601
BS3	TC	1/230/50	3761316 - 3761358
BS4	TC	1/230/50	3761416 - 3761458
BS4 TL	TL	1/230/50	20052612

Tab. A

4.3 Burner categories - Countries of destination

Country of destination	Gas category
LV	I ₂ H
DE	II ₂ ELL3B/P
NL	II ₂ EK
FR	II ₂ Er3P
BE	I ₂ E(R) - I ₃ P
LU - PL	II ₂ E3B/P
CY - MT	I ₃ B/P
AT - CH - CZ - DK - EE - FI - GR - HU - IS - IT - LT - NO - RO - SE - SI - SK - TR - BG	II ₂ H3B/P
ES - GB - IE - PT	II ₂ H3P

Tab. B

NOTE:

only for Switzerland: Swiss regulations, those of the SVGW for the use of gas, Canton and local regulations, as well as Fire Services regulations (VKF).

4.4 Technical data

Model		BS1	BS2	BS3	BS4
Thermal power ⁽¹⁾	kW	16/19 ÷ 52	35/40 ÷ 92	65/75 ÷ 197	110/140 ÷ 249
	Mcal/h	13.8/16.3 ÷ 44.7	30.1/34.4 ÷ 78.2	55.9/68.8 ÷ 162.5	94.6/120.4 ÷ 215
Fuel	G20 Gas	NCV 8 ÷ 12 kWh/m ³ – 7.000 ÷ 10.340 kcal/m ³ Pressure: min. 20 mbar – max. 100 mbar			
Operation		Intermittent (FS1)			
Use		Boilers: water and diathermic oil			
Ambient temperature	°C	0 - 40			
Combustion air temperature	°C max	40			
Noise levels ⁽²⁾	Sound pressure	61	62	66	71
	Sound power	72	73	77	82
Weight	kg	10	11 - 13	15 - 17	16.5 - 18.5
CE	No.	CE-0476DP3336			

Tab. C

(1) Reference conditions: Temperature 20°C - Barometric pressure 1013 mbar – Altitude 0 m above sea level.

(2) Sound pressure measured in manufacturer's combustion laboratory, with burner operating on test boiler and at maximum output. The sound power is measured with the "Free Field" method, as per EN 15036, and according to an accurate "Accuracy: Category 3" measurement, as described in EN ISO 3746.

4.5 Electrical data

Model		BS1	BS2	BS3	BS4
Electrical supply		1~ 230V 50 Hz			
Absorbed electric power	kW	0.15	0.18	0.35	0.53
Protection level		IP40			

Tab. D

4.6 Maximum dimensions

The maximum dimensions of the flange and burner are given in Fig. 1.

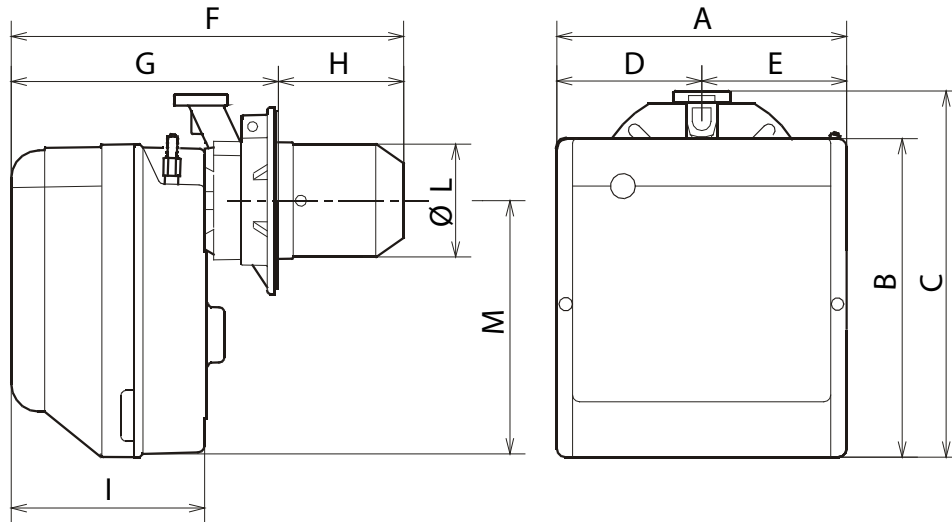


Fig. 1

Model	A	B	C	D	E	F	G	H	I	Ø L	M
BS1	234	254	295	122,0	112,0	346	230 ÷ 276	116 ÷ 70	174	89	210
BS2	255	280	325	125,5	125,5	352	238 ÷ 252	114 ÷ 100	174	106	230
BS2 TL	255	280	325	125,5	125,5	422	238 ÷ 252	184 ÷ 170	174	106	230
BS3	300	345	391	150,0	150,0	390	262 ÷ 280	128 ÷ 110	196	129	285
BS4	300	345	392	150,0	150,0	446	278 ÷ 301	168 ÷ 145	216	137	286
BS4 TL	300	345	392	150,0	150,0	603	278 ÷ 301	325 ÷ 302	216	137	286

Tab. E

4.7 Preparing the boiler

4.7.1 Boring the boiler plate

Pierce the closing plate of the combustion chamber, as in Fig. 2. The position of the threaded holes can be marked using the thermal insulation screen supplied with the burner.

Model	A	B	C	D	E	F
BS1	192	66	167	140	170	89
BS2	192	66	167	140	170	106
BS2 TL	192	66	167	140	170	106
BS3	216	76,5	201	160	190	129
BS4	218	80,5	203	170	200	137
BS4 TL	218	80,5	203	170	200	137

Tab. F

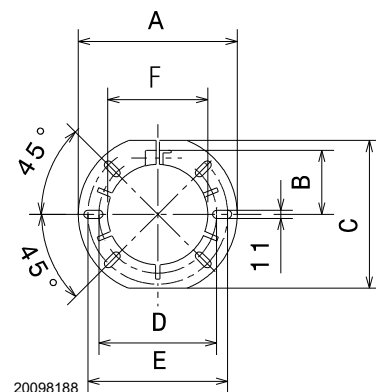


Fig. 2

4.8 Firing rates

The burner output is chosen from within the diagram area (Fig. 4 and Fig. 5).



WARNING

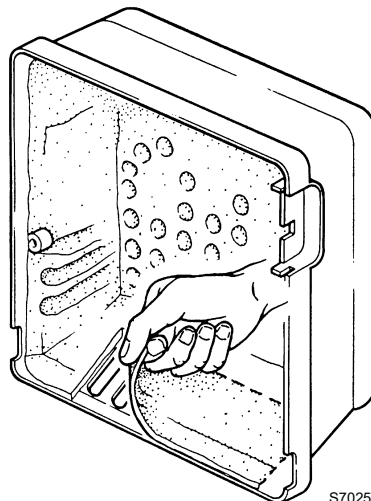
The firing rates (Fig. 4 and Fig. 5) were obtained at an ambient temperature of 20 °C, at a barometric pressure of 1013 mbar (about 0 m a.s.l.) and with the combustion head regulated as indicated on page 18.



WARNING

Only for BS4 model

To ensure operation with a burner output from 220 ÷ 249 kW, remove the pre-cut soundproofing to free the additional air input slots on the cover (see A Fig. 5).



S7025

Fig. 3

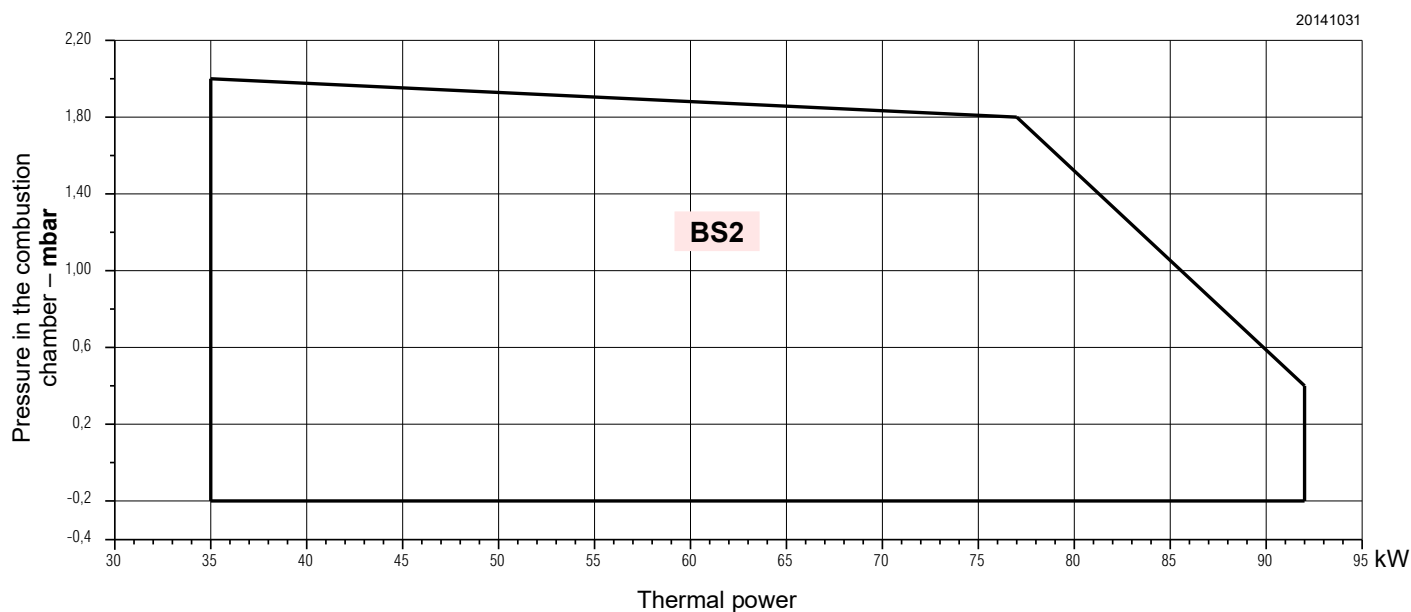
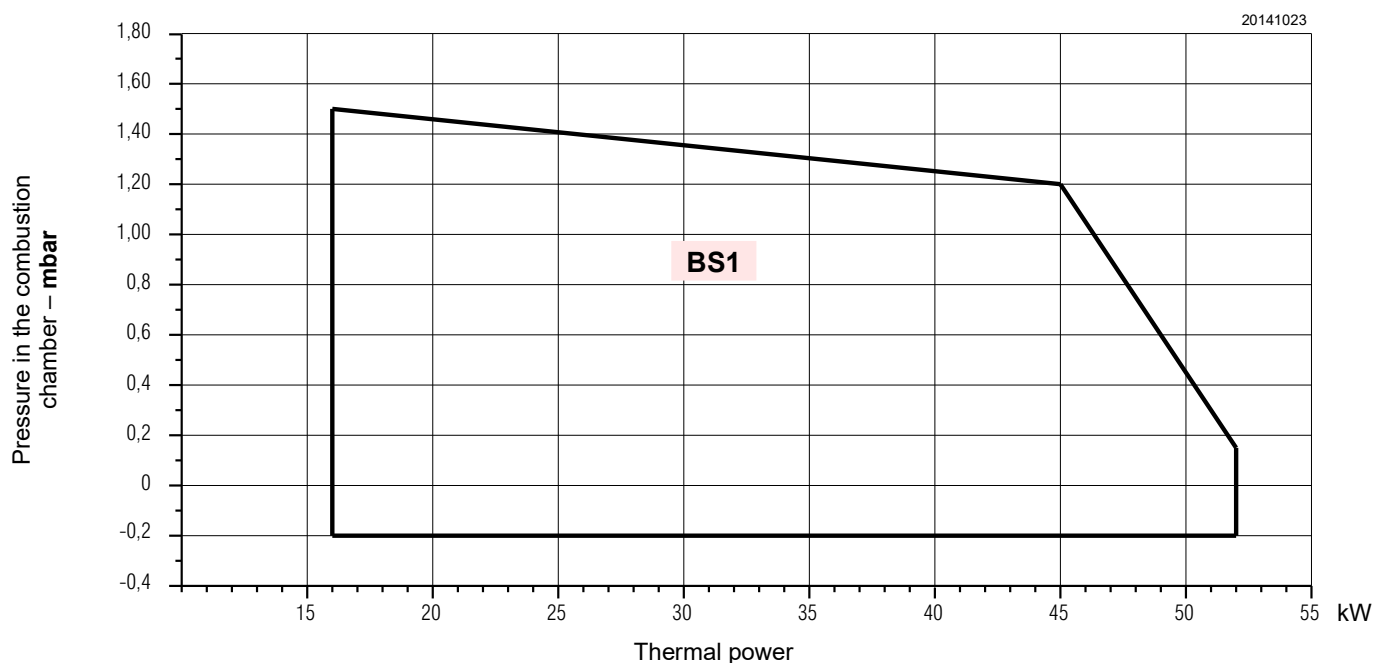


Fig. 4

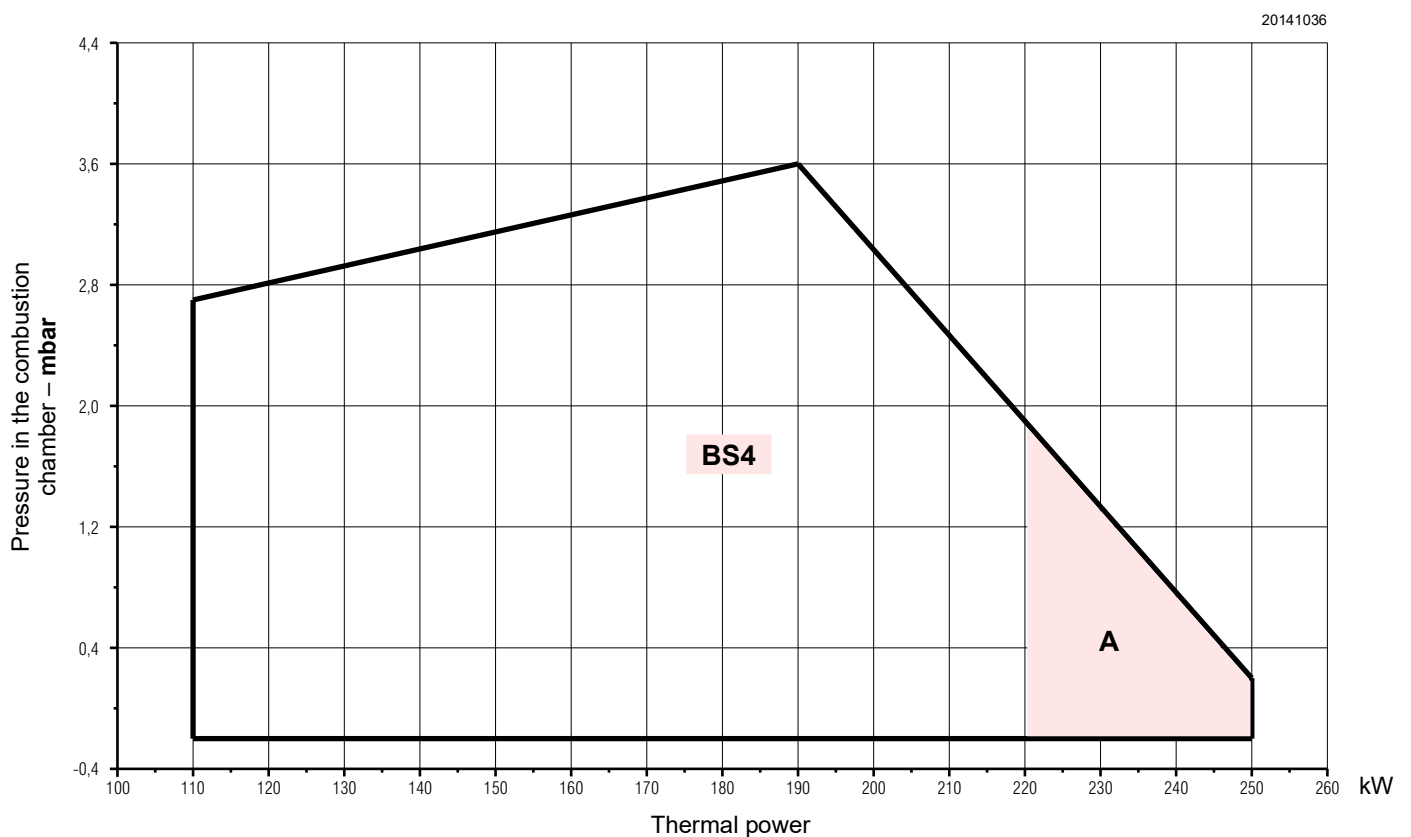
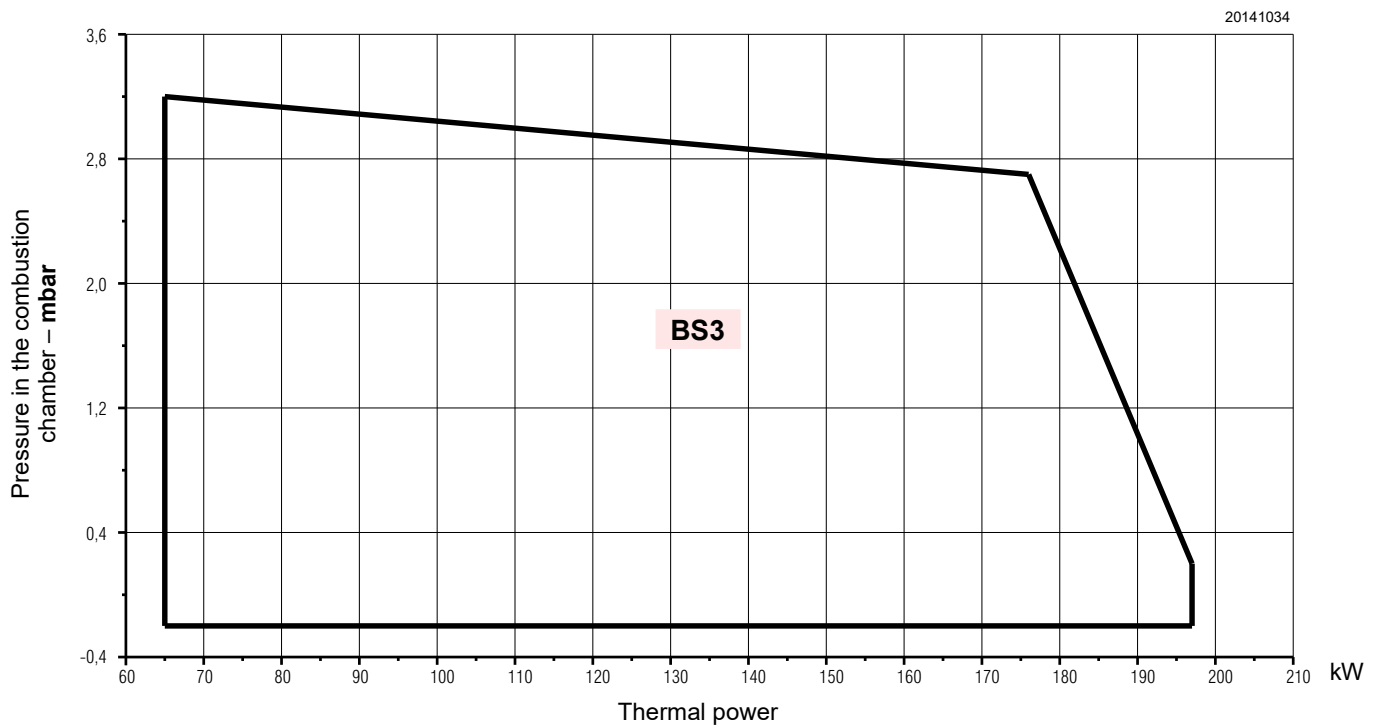


Fig. 5

4.9 Test boiler

The firing rate has been defined on test boilers according to EN 676 standard.

For applications where the boiler does not conform to EN 303, or where the combustion chamber is much smaller than the dimensions given in EN 676, please consult the manufacturers.

4.9.1 Commercial boilers

The burner-boiler matching is assured if the boiler conforms to EN 303 and the combustion chamber dimensions are similar to those shown in the diagram EN 676.

4.10 Burner description

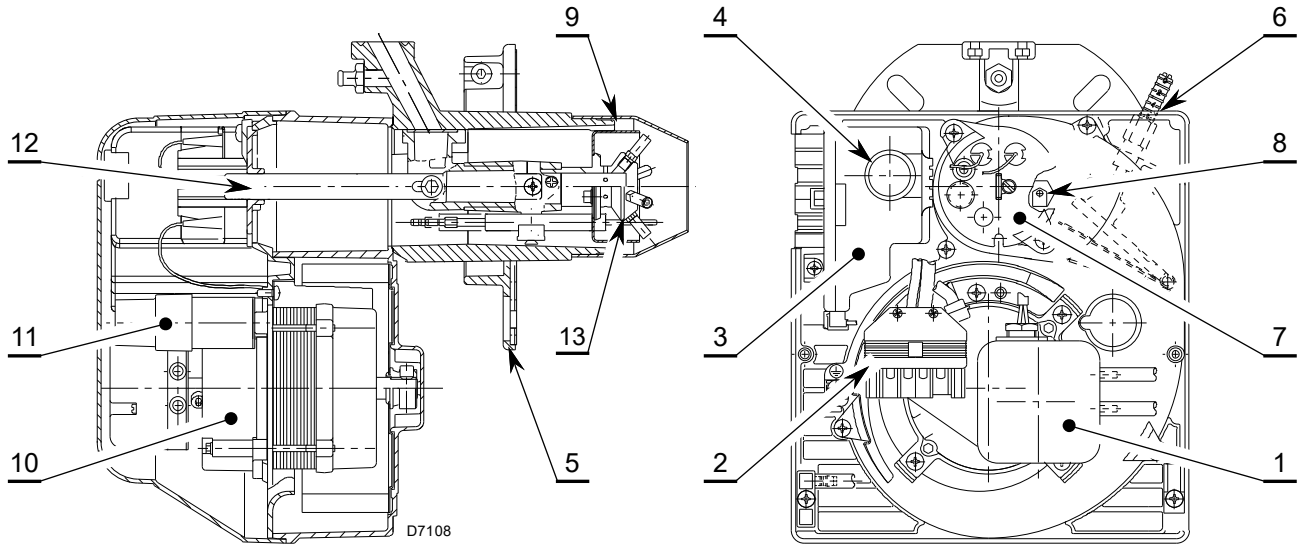


Fig. 6

- | | |
|---|------------------------|
| 1 Air pressure switch | 8 Pressure test point |
| 2 6 pole socket for gas train | 9 Combustion head |
| 3 Flame control with 7 pole socket incorporated | 10 Motor |
| 4 Reset button with lock-out signal | 11 Capacitor |
| 5 Flange with insulating gasket | 12 Head regulating rod |
| 6 Air damper adjustment assembly | 13 Gas diffuser |
| 7 Head assembly support | |

4.11 Burner equipment

Flange with insulating gasket	No. 1
Screws and nuts for fixing the flange to the boiler	No. 4
Screw and nut for flange	No. 1
Remote reset connection	No. 1
7-pin plug	No. 1
Spare parts list	No. 1
Instructions	No. 1

Remote reset kit

The burner has a remote reset kit (**RS**) consisting of a connection and a push-button operating at a distance of 20 metres max.

In order to install it, remove the safety lockout device installed at the factory and insert the lockout supplied with the burner (see electrical diagram).

4.12 Flame control

The flame control is a check and supervision system for forced draught burners, for intermittent operation (at least one controlled shutdown every 24 hours).

Important notes



To avoid accidents, material or environmental damage, observe the following instructions!

The flame control is a safety device! Avoid opening or modifying it, or forcing its operation. The Manufacturer cannot assume any responsibility for damage resulting from unauthorised work!

- All interventions (assembly and installation operations, assistance, etc.) must be carried out by qualified personnel.
- Before modifying the wiring in the flame control connection area, fully disconnect the system from the power supply (omnipolar separation).
- Protection against electrocution from the flame control and all connected electric components is obtained with the correct assembly.
- Before any intervention (assembly and installation operations, assistance, etc.), ensure the wiring is in order and that the parameters are correctly set, then make the safety checks.
- Falls and collisions can negatively affect the safety functions.
In this case, the flame control must not be operated, even if it displays no evident damage.

For safety and reliability, comply with the following instructions:

- Avoid conditions that can favour the development of condensate and humidity. Otherwise, before switching on again, make sure the flame control is perfectly dry.
- Static charges must be avoided since they can damage the flame control's electronic components when touched.

Installation notes

- Check the electrical wiring inside the boiler complies with the national and local safety regulations.
- Install switches, fuses, earth connection etc. in compliance with local regulations.
- Do not confuse the powered conductors with the neutral ones.
- Ensure that spliced wires cannot get into contact with neighbouring terminals. Use adequate ferrules.
- Arrange the H.V. ignition cables separately, as far as possible from the flame control and the other cables.
- When wiring the unit, make sure the 230V AC mains voltage cables are run strictly separate from extra low-voltage cables, to avoid the risk of electrocution.

To remove the flame control from the burner it is necessary to (Fig. 7):

- disconnect all the connectors connected to it, all the plugs, the high voltage cables and the earth wire (TB);
- unscrew the screw (A) and pull the flame control in the direction of the arrow.

To install the flame control it is necessary to:

- tighten the screw (A) with a tightening torque of 1 - 1.2 Nm;
- reconnect all previously disconnected connectors, making sure to connect the 7 pin power plug as the final step.

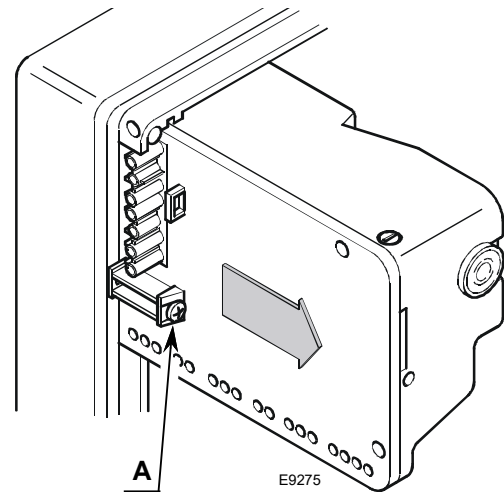


Fig. 7

NOTE:

The burners have been approved for intermittent operation. This means that they must stop once every twenty four hours to permit the electrical flame control to check its efficiency at start up. The boiler limit thermostat (TL) normally ensures the stopping of the burner. If this is not the case, it is necessary to apply a timer switch in series to the limit thermostat (TL) that turns off the burner at least once every 24 hours.

Electrical wiring of ionisation probe

It is important for signal transmission to be almost totally free of any disturbances or loss:

- Always separate the probe cables from the other cables:
 - the line capacity reduces the magnitude of the flame signal;
 - use a separate cable.
- The cable length must not exceed 1 m.
- Respect the polarity
- Insulation resistance
 - must be at least 50 MΩ between the ionisation probe and the earth;
 - a dirty detector reduces the insulation resistance, fostering leakage currents.
- The ionisation probe is not protected against the risk of electrocution. When connected to the electricity supply, the ionisation probe must be protected against any accidental contact.
- Position the ionisation probe so that the ignition spark cannot form an arc on the probe (risk of electric overcharge).

Technical data

Mains voltage	AC 210...230 V -15 % / +10 %
Mains frequency	50/60 Hz ±5 %
Built-in fuse	T4A 250V
Energy consumption	40 VA
Protection level	IP00

Tab. G

5 Installation

5.1 Notes on safety for the installation

After carefully cleaning all around the area where the burner is to be installed, and arranging for the environment to be illuminated correctly, proceed with the installation operations.



All the installation, maintenance and disassembly operations must be carried out with the electricity supply disconnected.



The installation of the burner must be carried out by qualified personnel, as indicated in this manual and in compliance with the standards and regulations of the laws in force.



Combustion air inside the boiler must be free from hazardous mixes (e.g.: chloride, fluoride, halogen); if present, it is highly recommended to carry out cleaning and maintenance more frequently.

5.2 Instructions to avoid burnout or bad combustion of the burner

- 1 The burner can not be installed outside as it is suitable for operation in closed rooms only.
- 2 The premises the burner operates in must have openings for the air need for the combustion. To be sure about this, you have to control CO₂ and CO in the exhaust gases with all the windows and doors closed.
- 3 If there are air extractors in the premises the burner works, make sure that there are openings for air to be taken in that are big enough to ensure the required air change; In any case, check that when the burner stops the extractors do not draw hot fumes from pipes through the burner.
- 4 When the burner is stopped, the smoke pipe must be kept open and a natural draft created in the combustion chamber. If the smoke pipe is closed, the burner must be drawn back till the extraction of blast tube from the furnace. Before operating in this way take the voltage off.

5.3 Handling

The transport weight is given in chapter Technical data on page 8.

Observe the permissible ambient temperatures for storage and transport: -20... + 70 °C, with max. relative air humidity 80%.



After positioning the burner near the installation point, correctly dispose of all residual packaging, separating the various types of material.



Before proceeding with the installation operations, carefully clean all around the area where the burner will be installed.



The operator must use the required equipment during installation.

5.4 Preliminary checks

Control of the supply



After removing all the packaging, check the integrity of the contents.

In the event of doubt, do not use the burner; contact the supplier.



The packaging elements (cardboard box, clips, plastic bags, etc.) must not be abandoned as they are potential sources of danger and pollution; they should be collected and disposed of in the appropriate places.



The figure of the label (Fig. 8) is indicative.

Some of the data may be arranged in a different position.

R.B.L.	A			TIPO TYP TYPE	B	B	C
I12ELL 3B/P DE	D			E		F	
I12H3B/P AT,CH,IS	I12H3 GB,IE,IT	GAS GAZ	<input checked="" type="checkbox"/> FAM.2 <input type="checkbox"/> FAM.3	G			
I12L3B/P NL	I12Er3P FR	Icc A	Imax A	PESO kg	RIELLO S.p.A. I-37048 Legnago (VR)		CE

20098188

Fig. 8

Control of burner characteristics

Check the identification label of the burner(Fig. 8), showing:

- A the burner model;
- B the burner type;
- C the cryptographic year of manufacture;
- D the serial number;
- E the data for electrical supply and the protection level;
- F the electrical power consumption;
- G the data of the burner's minimum and maximum output possibilities (see Firing rate).

Warning. The burner output must be within the boiler's firing rate.



A burner label that has been tampered with, removed or is missing, along with anything else that prevents the definite identification of the burner makes any installation or maintenance work difficult.

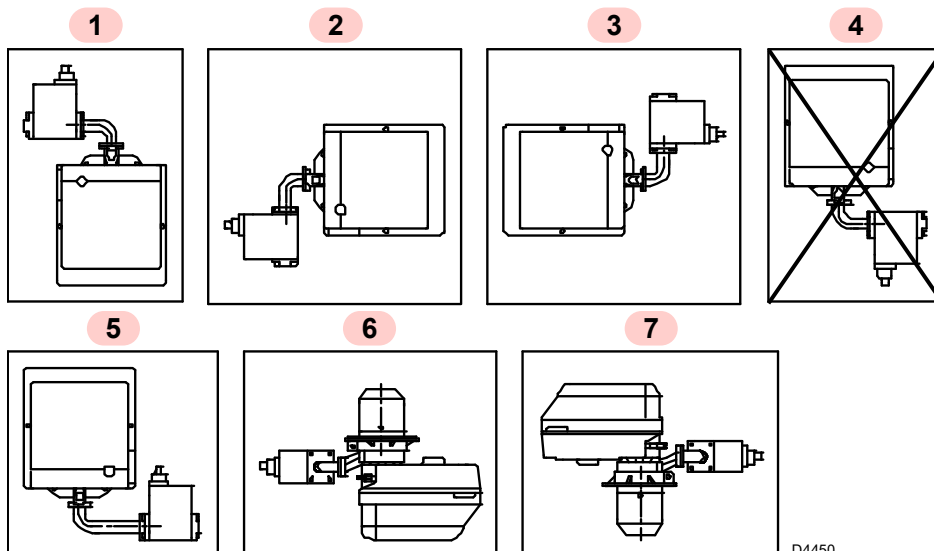
5.5 Operating position



- The burner is set up to operate only in positions **1, 2, 3, 5, 6** and **7** (Fig. 9).
- Installation **1** is preferable, as it is the only one that allows the maintenance operations as described in this manual.
- The installation layout illustrated in position **5** is only possible using the "MULTI-BLOC rotation kit", to be ordered separately.



- Any other position could compromise the correct operation of the appliance.
- Installation **4** are forbidden for safety reasons.



D4450

Fig. 9

5.6 Securing the burner to the boiler



Provide an adequate lifting system of the burner.



The seal between burner and boiler must be airtight.

To install the burner on the boiler, do the following:

- if necessary, widen the insulating gasket holes 5)(Fig. 10), taking care not to damage them.

The burner can be fixed with the variable position (A) as shown in Fig. 11.

Model	A (mm)
BS1	116 ÷ 70
BS2	114 ÷ 100
BS2 TL	184 ÷ 170
BS3	128 ÷ 110
BS4	167,5 ÷ 145
BS4 TL	325 ÷ 302

Tab. H

- Fix the flange 5) to the door of the boiler 1)(Fig. 12) placing the insulating gasket 3) in between using the screws 4) and (if necessary) the nuts 2), but keeping one of the two top screws 4) loose.
- Insert the combustion head of the burner in the flange 5), tighten the flange with the screw 6), then lock the screw 4) which was loose.



In any event, make sure that the combustion head crosses the entire thickness of the boiler door.

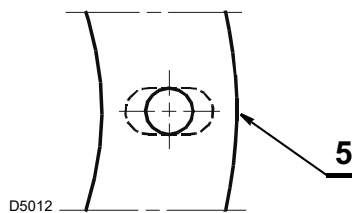


Fig. 10

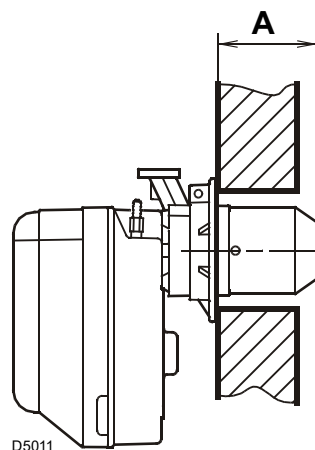


Fig. 11

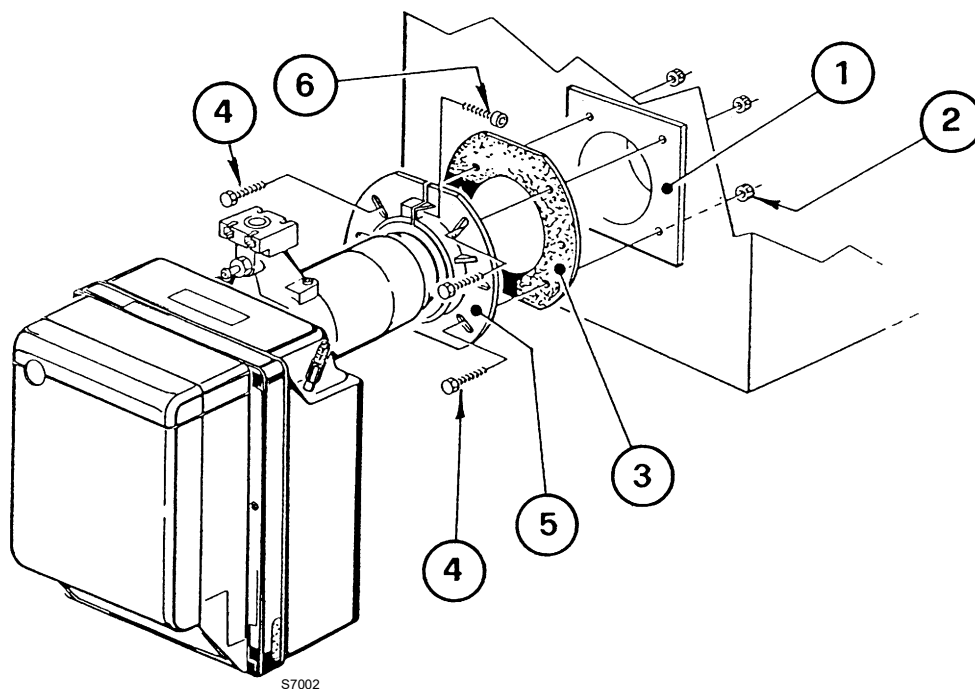


Fig. 12

5.7 Combustion head adjustment

The combustion head leaves the factory set for the minimum output.

The adjustment of the combustion head varies depending on the burner output.

This is carried out by turning the adjustment screw 6)(Fig. 13) clockwise or anti-clockwise until the notch on the regulating rod 2) lines up with the outside surface of the head assembly 1).

In Fig. 13 the head regulating rod is set to notch 3.

Example for BS3 burner

The diagram (Fig. 14) is indicative and shows the calibration of the combustion head in relation to the burnt output. To ensure the burner works efficiently, we suggest adjusting the combustion head according to the requirements of the specific boiler.

The burner is installed in a 100 kW boiler. Considering an efficiency of 90%, the burner must supply around 110 kW; for this burner output the adjustment should be on notch 3.

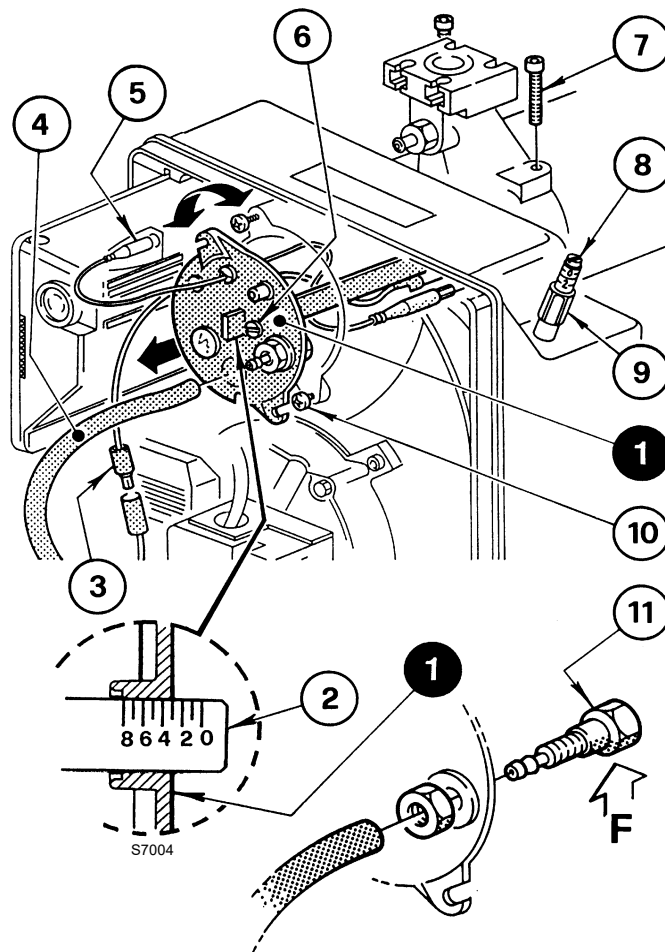


Fig. 13

5.7.1 Removing the head assembly

To remove the head assembly (Fig. 13) it is necessary to:

- disconnect the connections 3) and 5);
- remove the tube 4) and loosen the screws 10);
- unscrew and remove the screws 7), remove the head holder assembly 1) slight rotation to the right.



Take care not to change the setting position on the elbow-bracket 2) when dismantling.

5.7.2 Reassembling the head assembly

Reassemble with the reverse procedure to that described above, repositioning the head assembly 1)(Fig. 13) as it was originally.



Screw in the screws 7)(Fig. 13) all the way without locking them. Lock them with a tightening torque of 3 - 4 Nm.



Check that when operating there are no gas leaks from the screw housings.

If the pressure test point 11)(Fig. 13) should become slack accidentally(Fig. 13) we recommend fixing it correctly ensuring that the hole (F) (Fig. 13) inside the head assembly 1)(Fig. 13) is facing downwards.

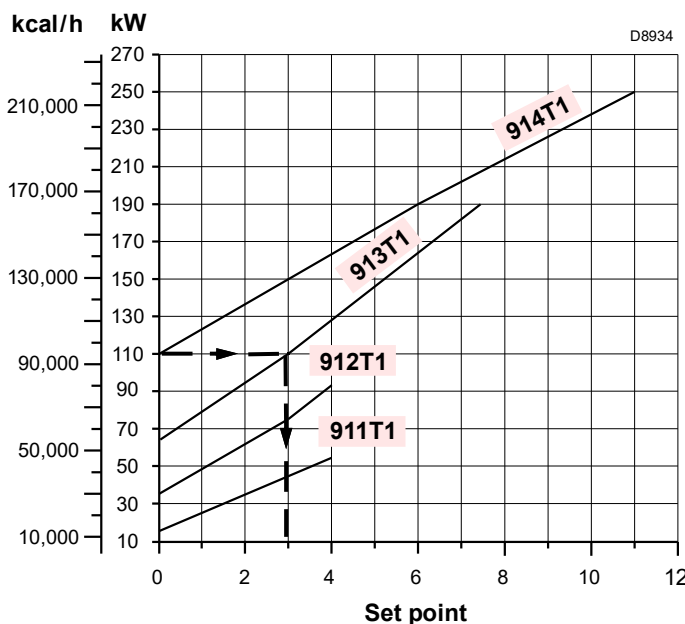


Fig. 14

5.8 Positioning the probe - electrode

- Make sure that the plate 3)(Fig. 15) is always inserted in the flattening of the electrode 1).
- Rest the probe insulator 4) against the air diffuser 2).



Respect the positions shown in Tab. I.

Model	A (mm)
BS1	17
BS2	30
BS3	31
BS4	31

Tab. I

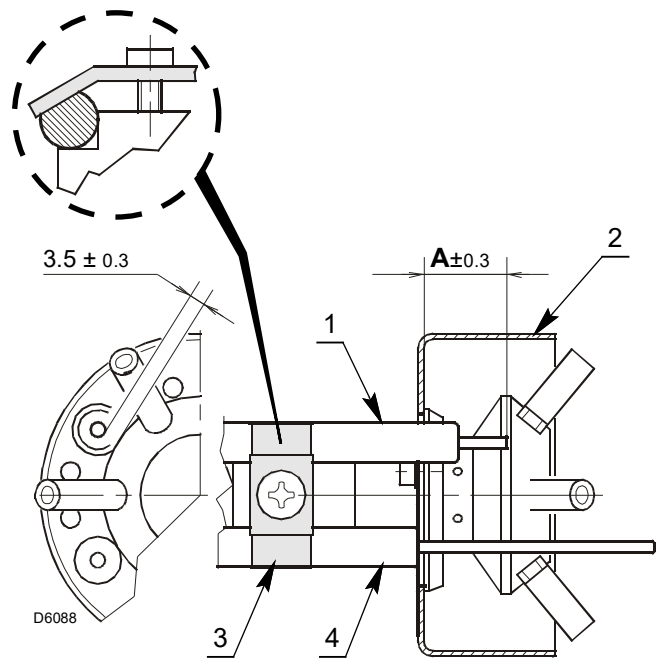


Fig. 15

5.9 Gas feeding



Explosion danger due to fuel leaks in the presence of a flammable source.

Precautions: avoid knocking, attrition, sparks and heat.

Make sure the fuel interception tap is closed before performing any operation on the burner.



The fuel supply line must be installed by qualified personnel, in compliance with current standards and laws.

5.9.1 Gas feeding line

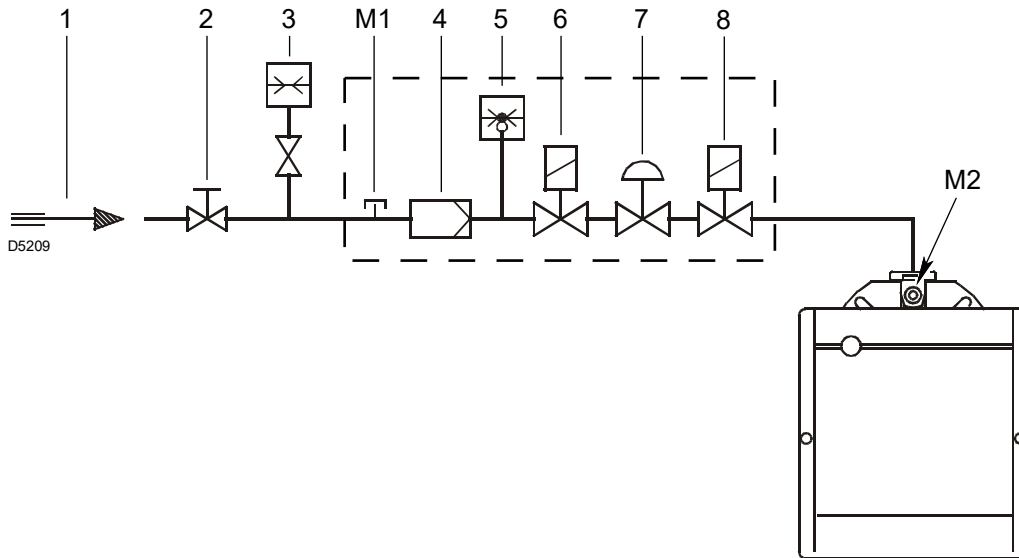


Fig. 16

Key (Fig. 16)

- 1 Gas input pipe
- 2 Manual gate (*under the responsibility of the installer*)
- 3 Gas pressure gauge (*under the responsibility of the installer*)
- 4 Filter
- 5 Gas pressure switch
- 6 Safety valve
- 7 Pressure stabiliser
- 8 Adjustment valve
- M1 Test point for measuring the power supply pressure
- M2 Test point for measuring pressure at the head

5.9.2 Train electrical supply

The gas train's supply cables can be fed to the right or left of the burner (Fig. 17).

Depending on the entry point, the cable clamp with pressure test point 1) and simple cable clamp 2) may need swapping over.

Consequently, you must make sure:

- the cable clamp 1) is positioned correctly;
- the tube is positioned correctly so that there are no restrictions likely to impede air flowing to the pressure switch.

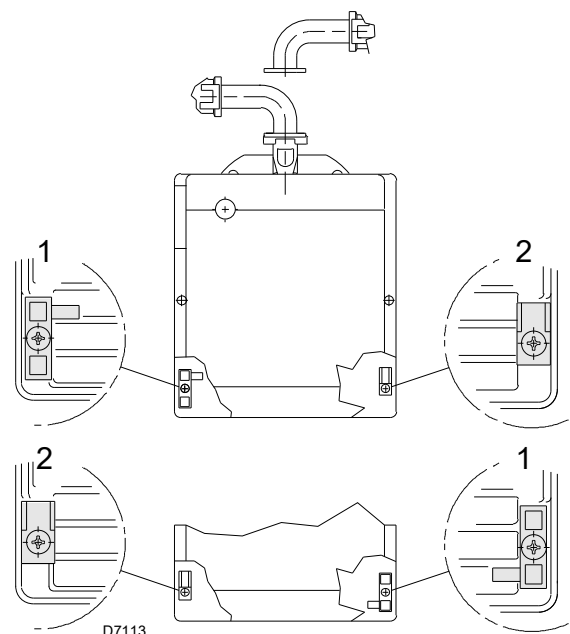


Fig. 17



If necessary, cut the tube to the right size.

WARNING

5.9.3 Gas train

Approved according to standard EN 676 and provided separately from the burner. For its adjustment see the enclosed instructions.



Disconnect the electrical power using the main switch.



Check that there are no gas leaks.



Pay attention when handling the train: danger of crushing of limbs.



Make sure that the gas train is properly installed by checking for any fuel leaks.



The operator must use the required equipment during installation.

5.9.4 Gas pressure

Tab. J indicates the pressure drops of the combustion head and gas butterfly valve, on the basis of the burner operating output.

The values shown in Tab. J refer to:

- Natural gas G 20 NCV 9.45 kWh/Sm³ (8.2 Mcal/Sm³)
- Natural gas G 25 NCV 8.13 kWh/Sm³ (7.0 Mcal/Sm³)

Column 1

Combustion head pressure drop.

Gas pressure measured at test point M2) (Fig. 16), with:

- combustion chamber at 0 mbar;
- burner working at maximum output

To calculate the approximate output at which the burner operates:

- subtract the pressure in the combustion chamber from the pressure of the gas at test point M2) (Fig. 16).
- Find, in Tab. J related to the burner concerned, the pressure value closest to the result of the subtraction.
- Read the corresponding output on the left.

Example with natural gas G 20 for BS2:

Maximum output operation

Gas pressure at test point M2)(Fig. 16) = 10 mbar

Pressure in combustion chamber = 2.2 mbar

10 - 2.2 = 7.8 mbar

A pressure of 7.8 mbar, column 1, corresponds in Tab. J to an output of 91 kW.

This value serves as a rough guide; the effective output must be measured at the gas meter.



The data of thermal output and combustion head gas pressure are related to full open (90°) gas butterfly valve.

	kW	Δp (mbar)		
		G 20	G 25	G 31
BS1	19	0.6	0.84	2.4
	23	0.9	1.26	2.9
	26	1.1	1.54	3.6
	30	1.5	2.1	4.9
	34	2.1	2.94	6.4
	37	2.6	3.64	7.6
	41	3.3	4.62	9.2
	45	4.3	6.02	10.8
	48	2.2	7.28	11.8
	52	6.5	9.1	13
BS2	49	2.8	3.92	3.8
	54	3.2	4.48	4.8
	58	3.6	5.01	5.5
	63	4.1	5.74	6.3
	68	4.7	6.58	7
	72	5.1	7.14	7.5
	77	5.8	8.12	8.2
	82	6.5	9.1	9
	86	7.0	9.8	9.8
	91	7.8	10.92	11
BS3	79	2.0	2.8	3.8
	92	2.6	3.64	4.6
	105	3.3	4.62	5.6
	118	4.2	5.88	6.6
	131	5.1	7.14	7.7
	143	6.1	8.54	8.7
	156	7.3	10.22	9.9
	169	8.7	12.18	11.1
	182	10.2	14.28	12.3
	195	11.9	16.66	13.5
BS4	140	4.1	5.74	3.5
	152	4.6	6.44	3.9
	164	5.2	7.28	4.3
	177	5.9	8.26	4.6
	189	6.6	9.24	4.9
	201	7.3	10.22	5.3
	213	8.1	11.34	5.8
	226	9.0	12.6	6.6
	238	9.8	13.72	7.6
	250	10.8	15.12	9

Tab. J

To calculate the required gas pressure at test point M2) (Fig. 16), with the maximum modulating output at which you want the burner to operate having been fixed:

- find the nearest output value in the table Tab. J for the burner in question.
- Read on the right, column 1, the pressure at the socket M2) (Fig. 16).
- Add this value to the estimated pressure in combustion chamber.

Example with natural gas G 20 for BS2:

Operating at the desired maximum output: 91 kW

Gas pressure at an output of 91 kW = 7.8 mbar

Pressure in combustion chamber = 2.2 mbar

7.8 + 2.2 = 10 mbar

pressure required at the test point M2) (Fig. 16).

5.10 Electrical wiring

Notes on safety for the electrical wiring



- The electrical wiring must be carried out with the electrical supply disconnected.
- Electrical wiring must be made in accordance with the regulations currently in force in the country of destination and by qualified personnel. Refer to the wiring diagrams.
- The manufacturer declines all responsibility for modifications or connections different from those shown in the wiring diagrams.
- Do not invert the neutral with the phase in the electrical supply line.
- Check that the electrical supply of the burner corresponds to that shown on the identification label and in this manual.
- The burner has been type-approved for intermittent use. In the event of continuous operation, a cycle arrest must be ensured within 24 hours with the use of a time switch positioned in series with the thermostatic line. Refer to the wiring diagrams.
- The electrical safety of the device is obtained only when it is correctly connected to an efficient earthing system, made according to current standards. It is necessary to check this fundamental safety requirement. In the event of doubt, have the electrical system checked by qualified personnel. Do not use the gas tubes as an earthing system for electrical devices.
- The electrical system must be suitable for the maximum power absorption of the device, as indicated on the label and in the manual, checking in particular that the section of the cables is suitable for that level of power absorption.
- For the main power supply of the device from the electricity mains:
 - do not use adapters, multiple sockets or extensions;
 - use a multiple pole switch with at least a 3 mm gap between the contacts (overvoltage category III), as envisaged by the present safety standards.
- Do not touch the device with wet or damp body parts and/or in bare feet.
- Do not pull the electric cables.
- Check proper insertion of connection connectors according to the symbols shown on the bottom of the flame control equipment: make sure that the connectors are fully inserted by pushing them all the way in, each in its relevant position. All connectors must have the connection cables facing towards the inside of the burner (see Fig. 19).

Before carrying out any maintenance, cleaning or checking operations:



Disconnect the electrical supply from the burner by means of the main system switch.



Condensation, the formation of ice and the entry of water are prohibited!



Close the fuel shut-off valve.



After carrying out maintenance, cleaning or checking operations, reassemble the cover and all the safety and protection devices of the burner.

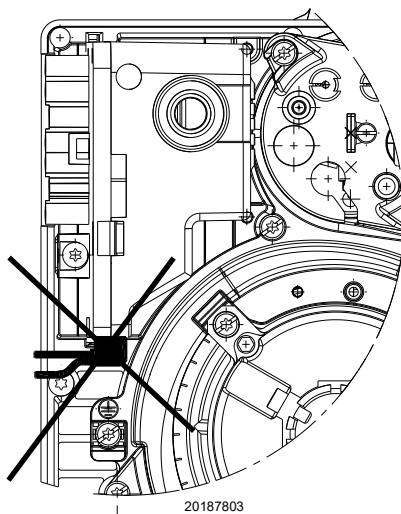


Fig. 18

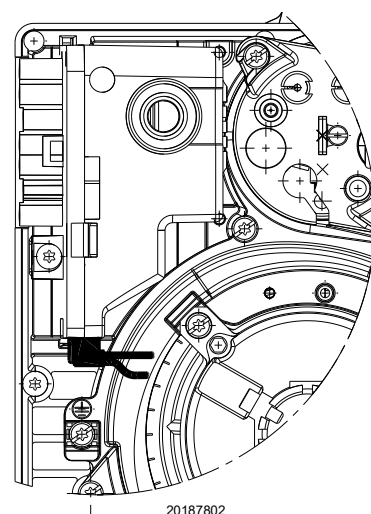


Fig. 19



Connectors inserted with the cables facing outwards the burner can damage the flame control equipment!



Insert connectors with the cables facing towards the inside of the burner.

5.10.1 Electrical system carried out by the factory

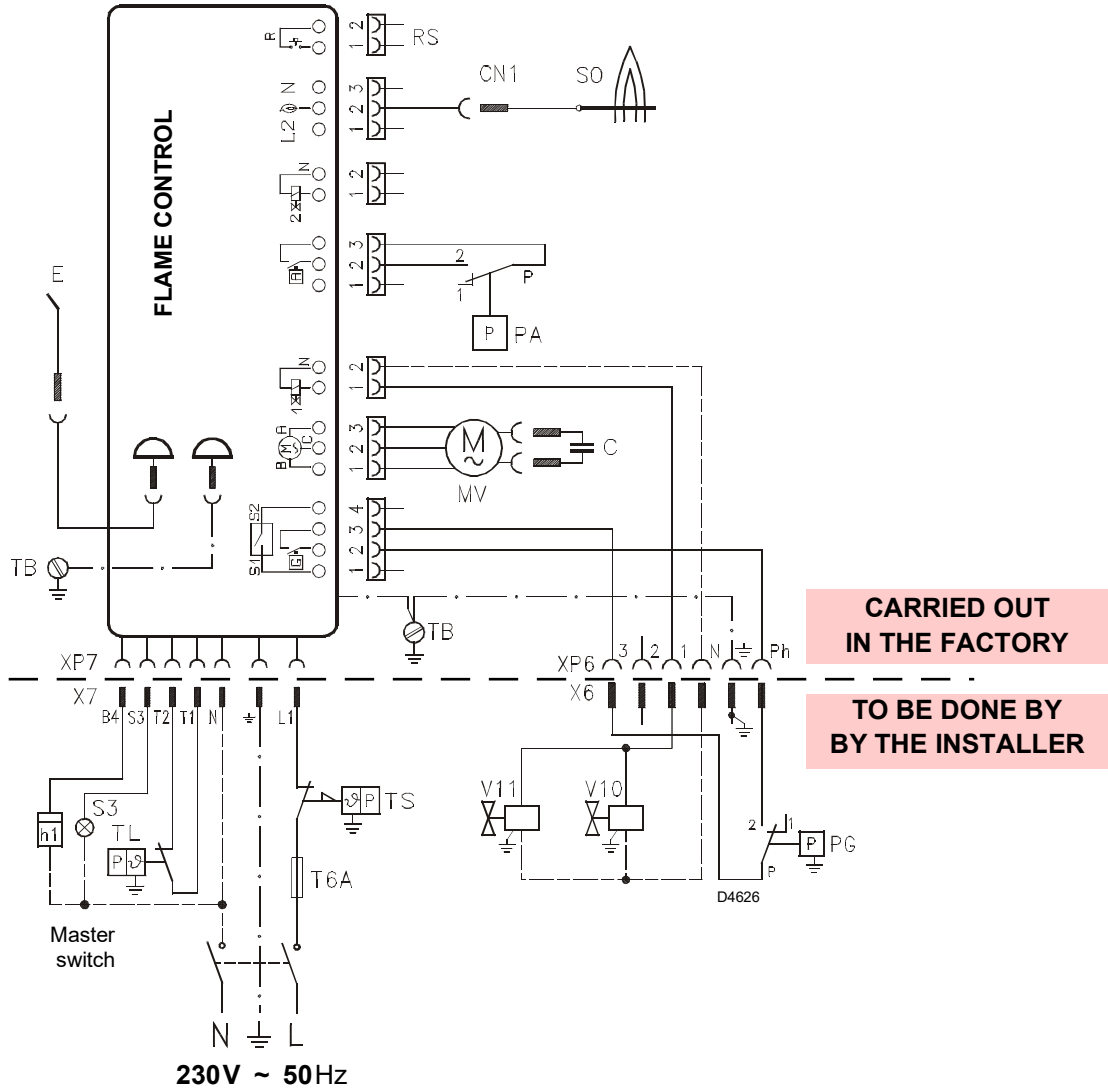


Fig. 20

- Key**
- C Capacitor
 - CN1 Probe connector
 - E Electrode
 - h.. Hour counter
 - MV Motor
 - PA Minimum air pressure switch.
 - PG Minimum gas pressure switch
 - RS Remote reset
 - SO Ionisation probe
 - S3 Lockout signal (230V - 0.5A max.)
 - T6A Fuse
 - TB Burner earth
 - TL Heat request thermostat
 - TS Safety thermostat
 - V10 Safety valve
 - V11 1st stage valve
 - X.. Plug
 - XP.. Socket



- Do not invert the neutral with the phase in the electrical supply line.
- Check that the electrical supply of the burner corresponds to that shown on the identification label and in this manual.
- The section of the conductors must be at least 1mm². (Unless requested otherwise by local standards and legislation).



Check the burner stops by opening the thermostats and check it locks out by opening the connector (CN1) (Fig. 20) inserted in the probe's red wire, located on the outside of the flame control.



If the cover is still on, remove it and proceed with the electric wiring following the wiring diagrams. Use flexible cables in compliance with EN 60 335-1 standards.

5.11 Operating programme

Normal operation

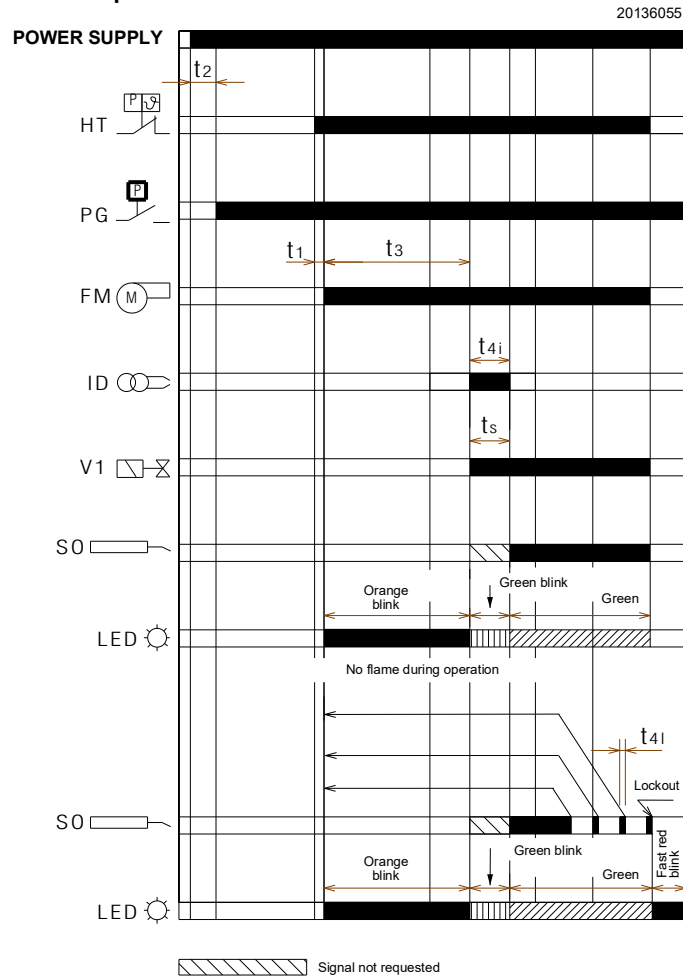


Fig. 21

Lockout due to ignition failure

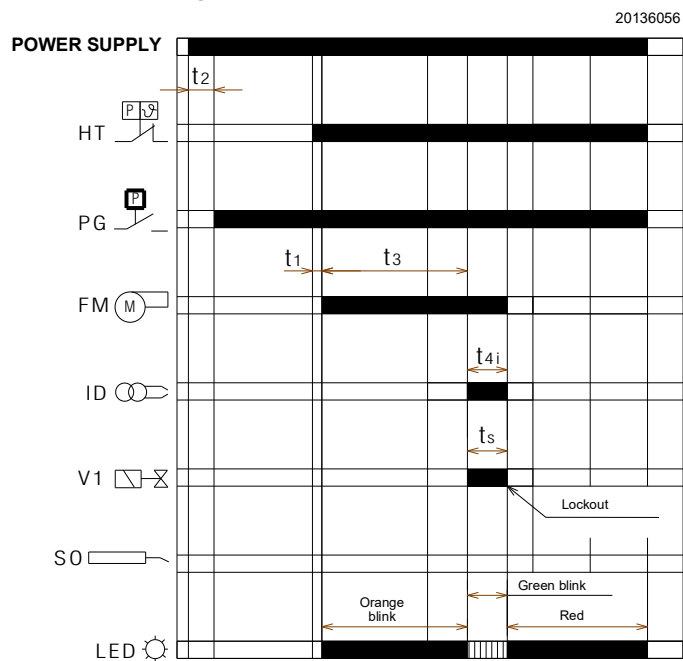


Fig. 22

Lockout due to extraneous light during pre-purging

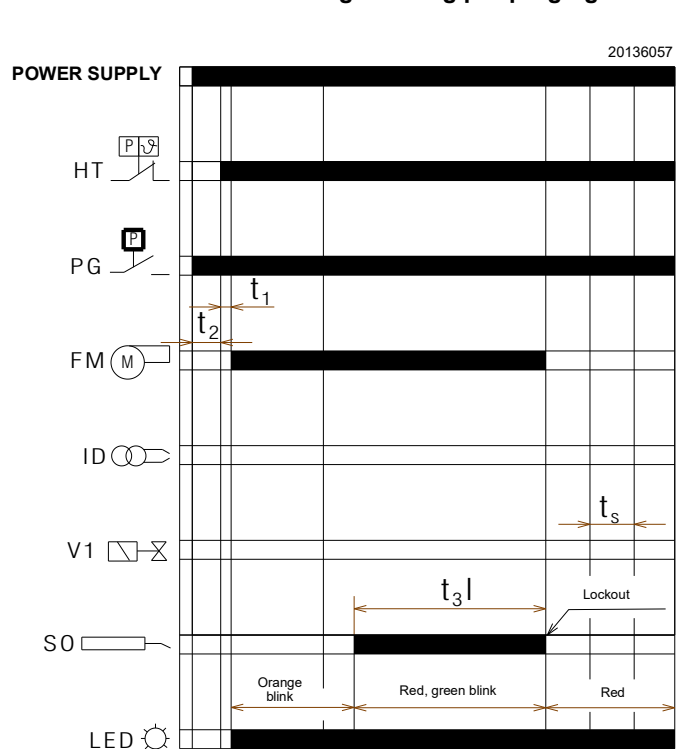


Fig. 23

Key

- FM – Fan motor
- HT – Heat request
- ID – Ignition device
- LED – LED colour inside the button
- PG – Low gas pressure switch
- SO – Ionisation probe
- t1 – Standby time
- t2 – Initialisation time for checking
- t3 – Pre-purging time
- t3l – Checks for presence of extraneous light during pre-purging phase
- t4i – Total ignition time
- t4l – Reaction time to achieve safety lockout due to lack of failure
- t5 – Delay time between the 1st and 2nd stage
- ts – Safety time
- V1 – Gas valve

5.12 Table of times

Symbol	Description	Value (sec.)
t0	Standby: the burner is waiting for a heat request, the gas pressure switch closure, the air pressure switch opening	-
t1	Standby time for an input signal: reaction time, flame control remains in waiting mode for t1	2
t1l	Flame or flame simulation detected before demand for heat: the flame control remains idle.	25
t2	Initialisation standby time: checking time following the main power start-up	< 4.5
t2l	Checks extraneous light or parasite flame during t2: waiting mode for t2l, then lockout: the motor does not start	25
t2a	Check whether the air pressure switch has already been moved to the work position before the required heat: the flame control remains in standby status, a lockout follows if the air pressure switch remains switched for the T2a time.	max 120
t3	Pre-purging time: the fan motor is running, then the gas valve is activated	40
t3l	Checks extraneous light or parasite flame during pre-purging: flame control goes into lockout at the end of t3l	1
t3a	Time for checking the switching of the air pressure switch in the operating position during the pre-purging time: if the pressure switch does not change over within t3a there is a lockout.	max 15
t3r	A recycle attempt is made if there is an air pressure drop during the pre-purging stage: there is then a lockout in the event of a second loss of air pressure between the 16th second and the 29th; in a loss of pressure between the 30th second and the 40th, the flame control goes immediately into lockout mode.	-
ts	Safety time	3
t4i	Total spark ignition time	3
t4a	Air pressure drop checking time during the ts time and the normal operation: the flame control locks out immediately.	< 1
t4l	Reaction time to achieve safety deactivation due to flame loss	< 1
-	Minimum time to reset the flame control using reset button	0.4
-	Minimum time to reset the flame control using remote reset	0.8
tr	Re-cycles: max. 3 repeats of the complete start-up sequence in the case of flame loss during operation; the final action at the last attempt following flame failure is a lockout	3 re-cycles

Tab. K

5.12.1 Operations status indication

Status	Button colour button	Seconds		Colour code
Awaiting heat demand, awaiting gas pressure switch closure, awaiting air pressure switch opening	-	-	-	-
Awaiting heat request with continuous purging	ORANGE Blink	0.5	2.5	●○●○●○●○●○
Pre-purging, or awaiting air pressure switch closure, or long pre-purging	ORANGE Blink	0.5	0.5	●○●○●○●○●○
Safety time without flame	GREEN Blink	0.5	0.5	■□■□■□■□■□
Safety time with flame	GREEN	-	-	■■■■■■■■■■■■■■■■
Normal operating position	GREEN	-	-	■■■■■■■■■■■■■■■■

Tab. L

Key

ON	OFF	Colour code
▲	△	RED
●	○	ORANGE
■	□	GREEN

Tab. M

5.12.2 Fault diagnostics - lockouts

Fault description	Reset button colour	Seconds		Colour code
Extraneous light (false flame signal)	GREEN, RED blinking alternately	0.5	0.5	■▲■▲■▲■▲■▲■▲
Gas pressure switch not opening fault, after 2 minutes from the heat request	ORANGE blinking inverted	2.5	0.5	●○●○●○●○●○●○
Electrical power voltage fault	ORANGE slow blinking	2.5	2.5	●○●○●○●○●○●○
Electrical power frequency fault	ORANGE	-	-	●●●●●●●●●●●●
Flame control voltage fault	ORANGE, GREEN fast blinking alternately	0.2	0.2	●■●■●■●■●■●■
Reset button / Remote reset anomaly	GREEN, RED fast blinking alternately	0.2	0.2	■▲■▲■▲■▲■▲■▲
Lockout for no flame after Ts	RED	-	-	▲▲▲▲▲▲▲▲▲▲▲▲
Lockout for extraneous light signal or for parasite flame	RED blink	0.5	0.5	▲△▲△▲△▲△▲△▲△
Lockout for maximum number of cycle repetitions (flame loss during operation)	RED fast blinking	0.2	0.2	▲△▲△▲△▲△▲△▲△
Lockout due to a drop in air pressure after the pre-purging was repeated due to a previous lack of air, or 10 sec before the end of the pre-purging, or during the safety time, or during normal operation	RED Blink	0.5	2.5	▲△▲△▲△▲△▲△▲△
Lockout for fan motor error	RED, ORANGE blinking inverted	2.5	0.5	▲●▲●▲●▲●▲●▲●
Lockout due to fault with the gas valve control circuit	RED, GREEN blinking inverted	2.5	0.5	▲■▲■▲■▲■▲■▲■
Lockout for eeprom error	ORANGE, GREEN blinking alternately	0.5	0.5	●■●■●■●■●■●■
Lockout due to air pressure switch not closing after a heat request or after a recycle due to flame loss during operation	RED, GREEN slow blinking	2.5	2.5	▲■▲■▲■▲■▲■▲■
Lockout due to air pressure switch already switched to closing of the heat request thermostat or after a recycle due to flame loss during operation	RED, ORANGE slow blinking	2.5	2.5	▲●▲●▲●▲●▲●▲●
Lockout for maximum number of cycle repetitions due to gas pressure switch intervention during flame operation	ORANGE	2.5	0.5	●○●○●○●○●○●○

Tab. N

Key

ON	OFF	Colour code
▲	△	RED
●	○	ORANGE
■	□	GREEN

Tab. O

5.12.3 Checking the gas pressure switch

When the gas pressure switch is open the motor is not powered. If, after a heat request, the gas pressure switch opens, the motor stops and:

- if the gas pressure switch stays open for more than 2 minutes, the fault is displayed by the diagnostic LEDs.
- if the gas pressure switch stays open for less than 2 minutes, the fault is not displayed.
- when the gas pressure switch closes again, the motor is restarted if also the air pressure switch is open.
- when the gas pressure switch is closed the motor is powered for about one second (to acknowledge the signal) and then it is shut off for 2 seconds to be then restarted and start the operation cycle.

If the gas pressure switch opens during normal flame operation, the motor stops immediately, the gas valves are closed and the full ignition cycle is repeated. Up to 3 attempts are possible, at the fourth opening of the gas pressure switch, the burner reaches the lockout condition.

The number of possible attempts to open the gas pressure switch during flame operation is reset at every heat request, every lockout, every power supply fault (see paragraph “**Monitoring the power supply voltage**” on page 28) and every shut-down test.

If the gas pressure switch opens during post-purging or during continuous purging (if set), the motor stops and stays off for the whole time that the gas pressure switch is open and the fault is displayed immediately by the diagnostic LEDs.

5.12.4 Checking the air pressure switch

When the burner receives the heat request the air pressure switch is checked and if it is closed (bonded) the motor does not start and after 2 minutes the lockout condition is reached.

If the motor starts after a heat request, the air pressure switch does not close within 15 seconds of pre-purging, the burner reaches the lockout condition.

If there is a loss of air pressure after the first 15 seconds of pre-purging but before the last 10 seconds, a recycle occurs (the pre-purging time starts from when the air pressure switch closes in a stable manner).

If after a recycle after a loss of air pressure there is a new loss, the burner reaches an immediate lockout condition due to lack of air.

If the loss of the air pressure switch occurs in the last 10 seconds of the pre-purging time (before the start of the safety time) the burner reaches an immediate lockout condition due to lack of air.

If there is a loss of the air pressure switch after the opening of the first stage valves or during normal operation with flame, the burner reaches a lockout condition within 1s.

The state of the air pressure switch does not influence the post-purging time.

Se If continuous purging is set, the motor is powered even if the air pressure switch is sealed but only in a condition without a heat request or after 2 minutes if the lockout occurred after the heat request.

5.12.5 Shut-down test

If the reset push-button or the remote reset is pressed during operations for more than 5 seconds and less of 10 seconds, (to not go to the successive menu) the burner switches off, the gas valve closes, the flame goes out and the start-up sequence restarts.

If the switch off test is enabled, the number of repetitions of the start up sequence (see paragraph “**Recycle and limit of repetitions**” on page 27) and the number of possible resets (see paragraph “**External lockout signal (S3)**” on page 28), are reset.

5.12.6 Intermittent operation

After 24 hours of continuous operation, the flame control starts the automatic switch-off sequence, followed by a restart, in order to check for a possible fault with the ionisation probe. This automatic switch-off can be fixed at 1 hour, (see paragraph “**Programming menu**” on page 31).

The modification of the parameter setting for intermittent operation takes effect if:

- during the heat request, the switching off test function is enabled;
- there is a flame loss;
- the heat request switches off and then later restarts;
- the flame control switches off and restarts;
- the automatic restarting of the intermittent function occurs (1hour/24hours).

5.12.7 Recycle and limit of repetitions

The flame control allows a recycle function, i.e. complete repetition of the start-up sequence, making up to 3 attempts, in the event the flame failure during operation. If the flame failure 4 times during operations, this will cause a burner lockout. If there is a new heat request during the recycle, the 3 attempts are reset when the limit thermostat (TL) switches.

By disconnecting the power supply, when a new heat request occurs (power supply is applied to the burner) all possible attempts at re-ignition are reset (maximum 3).

5.12.8 Presence of an extraneous light or parasite flame

The presence of a parasite flame or extraneous light can be detected in the stand-by state after a heat request. If the presence of a flame or extraneous light is detected also in the “t2” stage, the motor does not start until the flame signal has disappeared or until lockout has been reached.

If after the fan motor starts, during the pre-purging, an extraneous light or parasite flame is detected, the burner reaches the lockout condition in 1 second.

If, during the recycle due to flame disappearance while operating and the consequent repetition of the start-up sequence, the parasite flame or the extraneous light is detected before the motor starts, the 25 seconds control countdown starts (for checking for the presence of the parasite flame or the extraneous light) otherwise the lockout occurs within 1 second.

The fault is indicated by the blinking LED (see paragraph “**Fault diagnostics - lockouts**” on page 26).

When the heat request is finished, if the parasite flame stays on the burner reaches the lockout condition due to parasite flame after 25 seconds (regardless of the presence or otherwise of the post-purging or the continuous purging).

The parasite flame control is active even when there is a fault with the mains voltage, the frequency, the internal voltage, the condition with gas pressure switch open.

The parasite flame control is not active only in lockout conditions.

5.12.9 Duration of ignition transformer discharge

The spark ignition is present during all safety time.



WARNING

In the event of continuous recycling or heat requests that are close together, the maximum allowed number of cycle repetitions for the ignition transformer is one every minute.

5.12.10 Reset by button and remotely of the burner

The burner can be released by pressing, for at least 0.4 seconds, the reset button integrated in the flame control and the unlocking occurs only when the button is released.

The burner can also be reset using an external button (remote reset) connected to the R terminals (see RS connector wiring diagram) on the burner by pressing for at least 0.8 seconds.



WARNING

If the reset button is pressed for more than 5 seconds, the flame control will not be reset.

5.12.11 Protection reset

The burner can be reset only 5 times consecutively, then power supply has to be disconnected for a new 5 reset possibilities. The burner can only be reset if power supply is applied to the flame control.

5.12.12 Reset push-button anomaly

If the reset button is faulty or is kept pressed for more than 60 seconds, the fault is indicated by the blinking of the LED (see paragraph “**Fault diagnostics - lockouts**” on page 26) as long as it is present.

- This fault is only displayed and the LED stops blinking when the fault disappears.
- If the fault is detected during pre-purging or safety time, the burner does not stop (the start-up sequence will continue).
- If the fault is detected during operation, the burner does not stop.
- If the fault is detected during a lockout, the fault is not signalled and the burner cannot be reset.

5.12.13 External lockout signal (S3)

The burner is equipped with an external locking signal function, i.e. to signal (together with the integrated reset button) a burner locking alarm.

The flame control provides a command of an external lamp using the S3 output (230Vac-0.5Amp max).

5.12.14 Hour counter functioning (B4)

The burner has an hour counter function that is active as long as the 1st stage oil valve is open and therefore as long as fuel is being consumed.

The flame control provides an external meter through the Hour_Counter output (230V AC-0.1Amp max.) of the flame control connected to pin B4 of the 7-pole socket coming from the boiler power supply connection at the burner.

5.12.15 Monitoring the power supply voltage

The flame control automatically measures the mains voltage. If the voltage is less than 170V or more than 280V, the burner stops, interrupts the operating cycle and remains in stand-by, signalling a fault. The fault is indicated by the blinking LED (see paragraph “**Fault diagnostics - lockouts**” on page 26). The burner restarts when the voltage exceeds approx. 180V or if it goes below 270V.

- If the fault is detected with flame operation, the valve is immediately closed and the motor stops.
- If the anomaly is detected during pre-purging, the motor stops.
- If the mains voltage stays within the intermediate values (170÷180V or 270÷280V) when the main power supply switch is closed or after a power failure, the burner does not start.
- If the burner is in lockout, the mains voltage is monitored but not signalled as there is a lockout signal and cannot be reset.

During the ignition time the mains voltage monitoring is deactivated.

5.12.16 Frequency supply error

The flame control automatically detects the value of the frequency of the main supply in the range of 50 - 60 Hz, in both cases working times are verified. The fault is indicated by way of the blinking LED (see paragraph “**Fault diagnostics - lockouts**” on page 26).

- If the anomaly is detected before heat demand the burner does not start.
- If the fault is detected during the pre-purging, the burner remains in purge condition and the fault is appropriately signalled.
- The fault is not detected during normal running, the burner remains in this state. When the fault disappears, the burner restarts.

5.12.17 Internal voltage anomaly

The flame control automatically detects if the internal voltage works correctly. The fault is indicated by way of the blinking LED (see paragraph “**Fault diagnostics - lockouts**” on page 26).

- If the anomaly is detected during the initialisation check time, the burner does not start.
- If the anomaly is detected after a lockout the burner does not start.
- If the anomaly is detected after a shut-down test, the burner does not start.
- The fault is not detected during normal running, the burner remains in this state. When the fault disappears, the burner restarts.

5.12.18 Checking the fan motor

The flame control automatically detects the presence of the fan motor and, if disconnected, it performs a lockout. The lockout is indicated by the blinking of the LED (see paragraph “**Fault diagnostics - lockouts**” on page 26).

5.12.19 Checking the faults of the 1st and 2nd stage valve and the motor

The flame control detects the presence of a fault in the controls of the valves and the motor, the fault is indicated by the blinking LED (see paragraph “**Fault diagnostics - lockouts**” on page 26):

- if the anomaly is detected during the initialisation, the burner goes into lockout.
- if the anomaly is detected during the pre-purging, the burner goes into lockout.
- During a recycling, if the fault is detected, the burner does not start and goes into lockout.

The fault is not detected if the burner is in lockout.

The sealing of the contact of the relay inside the motor's flame control is intercepted if the gas pressure switch is closed and the motor is connected to the board.

The sealing of the contact of the relay inside the 1st stage valve control is intercepted only with the motor running.

The sealing of the contact of the relay inside the 2nd stage valve control can only be intercepted when the motor is on and the 1st stage valve is controlled.

5.12.20 EEprom check

The flame control automatically detects if EEprom memory of micro-controller has failed and will perform a lockout. The lockout is indicated by the blinking of the LED (see paragraph “**Fault diagnostics - lockouts**” on page 26).

5.12.21 Ionisation current

The recommended minimum for operating the burner is 5 µA. The burner normally supplies a higher current value, so that no check is needed.

In any event, if you want to measure the ionisation current, you need to open the connector (CN1)(Fig. 24) on the red wire and insert a microammeter.

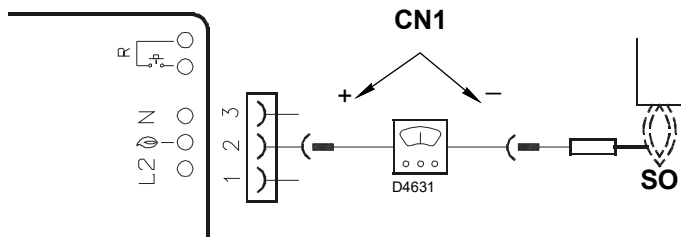


Fig. 24

5.12.22 Post-purging

Post-purging is a function that allows you to maintain the air purging even after the burner is switched off in the absence of the heat request for a pre-set time. The burner switches off the flame when the heat request thermostat opens, cutting off the fuel supply to the valves.

The post-purging function is not performed:

- after a lockout of the motor or valves;
- if the heat request is interrupted during pre-purging.

Post-purging occurs:

- if the heat request is interrupted during the safety time;
- if the heat request is interrupted during normal operation;
- with all types of lockout.

NOTE:

If during post-purging there is an extraneous light or a parasite flame the burner goes into lockout after 25 seconds and post-purging is not stopped. If during post-purging there is a new heat request, the post-purging time is halted, the fan motor stops and a new burner operating cycle starts.

5.12.23 Continuous purging

Continuous purging is a function that maintains the air ventilation independently of the request for burner ignition.

From the moment when it is set, the motor remains in operation both when the limit thermostat (TL) is not switched over (burner switched off), and when the burner is in lockout.

With the commutation of the limit thermostat (TL) the motor stops for the standby time of 2 seconds, the successive control of the air pressure switch and the start of a new burner operation cycle.

- If during continuous purging when there is no heat request a parasite flame is detected, the motor stays on and a fault is signalled. The burner reaches the lockout condition after 25 seconds.
- If during continuous purging a parasite flame is detected, the motor stays on but if a heat request occurs the motor is switched off, the motor is not started after the standby (2sec) if the parasite flame persists; the burner reaches the lockout condition after 25 seconds. After the lockout has been reset the motor is restarted.
- The motor stays on even in a lockout.
- The continuous purging is interrupted if an internal fault is detected that brings the burner to the lockout condition (eeprom, motor, 1st and 2nd stage valves).

5.12.24 Lockout log

The flame control allows the logging of the type and number of lockouts that have occurred and keeps them even without the electrical power supply.

The logs of the lockouts allows you to access the last 10 lockouts (see paragraph “**Programming menu**” on page 31).

Once the programming menu page has been reached by pressing the reset button the last lockout is displayed, pressing 10 times displays the least recent lockout (each time the burner reaches the lockout condition the oldest one is removed).

5 seconds after the last pressing of the buttons, the type of lockout is displayed, see paragraph “**Fault diagnostics - lockouts**” on page 26).

5.12.25 Logging of burner operating parameters

The flame control allows you to log the operating time of the opening of the gas valve.

That way, you can determine how much fuel has been consumed during operation.

The frequency of the count is 1 second.

Saving to memory (eeprom) of the data occurs every 30 minutes if the burner is on.

Saving to memory is carried out even if in the previous 30 minutes the flame control was operating only for a short period of time.

If the flame control is cut off from the mains power supply between one saving and the next (after 30 minutes) the information about this interval is lost.

If in the interval between one saving and the next a lockout is set, there is writing to memory that involves also the logging of the operating hours.

Together with the operating hours also the number of the burner's 1st stage valve openings is saved.

In the menu (see paragraph “**Programming menu**” on page 31) it is possible to independently reset both the operating hours meter and the meter for the number of openings of the 1st stage valve that occurred.

- The number of openings of the 1st stage valve is a maximum of: 16.777.215 (after which it is reset).
- The meter for the number of openings of the first stage valve is a maximum: 65,535 days (after which it is reset).

5.12.26 Admissible lengths of the external connections to the burner

Outlet cables of the burner	Identification	Maximum length permitted (metres)
Mains electric power supply	L1 (L), N	20
GAS pressure switch	PG	1
Heat request thermostat	TL (T1,T2)	20
Hour counter	B4	3
External lockout indicator	S3	20
Remote reset	R (RS)	20

Tab. P



WARNING

In the event of burner applications with remote control commands greater than those indicated in Tab. P, insert the relay command devices (230Vac) with contacts placed near or not more than the maximum indicated lengths.

5.12.27 Long pre-purging

If a long pre-purging is enabled, an initial pre-purging of 1 min and 20 sec beyond the default pre-purging time (40 sec) is carried out.

In recycles due to flame loss when operating, the long pre-purging is not carried out but only the pre-purging with the default time (40 sec).

If there is a loss of air pressure during the long pre-purging, the recycle involves a repetition of the pre-purging that is in this case is 1 min and 20 sec added to 40 sec.

5.13 Programming menu

5.13.1 General notes

The programming menu can be accessed via the integrated reset button, or by remote reset during OPERATION and in STANDBY.

If in page menu the reset or remote reset button is not pressed within 10 seconds the page will be automatically be exited and there will be a green led blinking for the time set.

If the number of presses on the reset or remote reset button exceeds the maximum allowable, the value that stays in memory will be the maximum one.

If the reset or remote reset button is pressed for more than 60 seconds, a reset button error will be displayed.

5.13.2 Block diagram for entering the menu

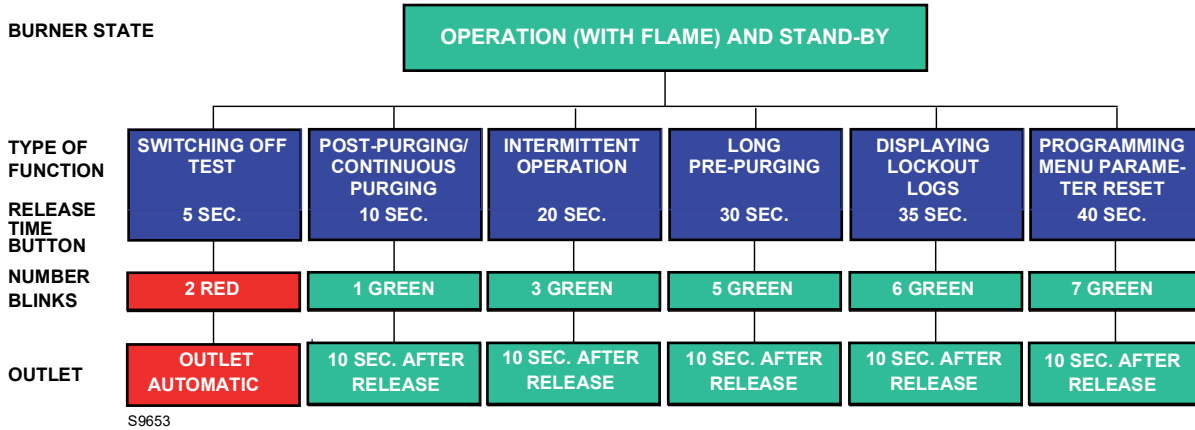


Fig. 25

Function	Button release time	No. of blinks of the led per menu page	No. of pressings of the reset button	No. of blinks of the LED (green)	Quitting the menu
Switching off test	5s ≤ t < 10s	2 blinks RED	/ none	/ none	Automatic, at the end of the blink
Post-purging/ Continuous purging	10s ≤ t < 15s	1 GREEN blink	1 = 1 minute 2 = 2 minutes 3 = 3 minutes 4 = 4 minutes 5 = 5 minutes 6 = 6 minutes 7 = continuous purging 8 = 0 m (deactivated) (default)	1 blink 2 blinks 3 blinks 4 blinks 5 blinks 6 blinks 7 blinks 8 blinks	10 sec. after the release of the button
Intermittent operation	20s ≤ t < 25s	3 blinks GREEN	1 = 1 hour 2 = 24 hours (default)	1 blink 2 blinks	10 sec. after the release of the button
Pre-purging long	30s ≤ t < 35s	5 blinks GREEN	1 = activated 2 = deactivated (default)	1 blink 2 blinks	10 sec. after the release of the button
Display lockout logs	35s ≤ t < 40s	6 blinks GREEN	1 = last lockout 2 = 9th lockout 3 = 8th lockout 4 = 7th lockout 5 = 6th lockout 6 = 5th lockout 7 = 4th lockout 8 = 3rd lockout 9 = 2nd lockout 10 = less recent lockout	Displaying the type of lockout according to Tab. N	10 sec after the release of the button (if at level 1). When at level 2, 10 sec after the display of the type of lockout or else pressing the button again before 10 sec you return to level 1 from where, 10 seconds after nothing has been done to the buttons, you exit the menu
Parameter reset programming menu	40s ≤ t < 45s	7 blinks GREEN	1 = reset of the lockout logs 2 = reset of the no. of lockouts 3 = reset of hours of operation 4 = reset of the no. of heat requests 5 = restoration of default values of the menu parameters	/	10 sec. after the release of the button

Tab. Q

5.13.3 Shutdown test

Sequence for shut-down test programming

- Programming allowed in OPERATING mode and in STAND-BY.
- Press the button for 5 sec. $\leq t < 10$ sec.
- The RED LED blinks twice (0.2 sec. ON; 0.2 sec. OFF).
- Release the button.
- The burner will initialise a shut-down followed by a restart

After shut-down, the burner restarts automatically and the no. of attempts of recycle are restored.

At the exit of shut-down test page menu there are no blinking led.

5.13.4 Post-purging and continuous purging

The post-purging time can be set for a maximum of **6 minutes**, proceeding as follows:

Programming sequence

- Programming allowed in OPERATING mode and in STAND-BY.
- Press the button for 10 sec. $\leq t < 15$ sec.
- GREEN led blinking 1 time
- Release the button
- GREEN led OFF
- Press the button 1 - 6 times (*) = 1 - 6 minutes
7 times = continuous purging
- GREEN led ON and OFF every time press and release
- After 10 sec., the GREEN LED will blink for the number of times programmed (0.5 sec. ON; 0.5 sec. OFF)

Disabling sequence

- Reset allowed in OPERATING mode and in STAND-BY.
- Press the button for 10 sec. $\leq t < 15$ sec.
- GREEN led blinking 1 time
- Release the button
- GREEN led OFF
- Press the button 8 times (*)
- GREEN led ON and OFF every time press and release
- After 10 sec. the GREEN led blinks for 8 times (0.5s ON; 0.5s OFF)

If heat request stops during programming of post-purging function, the exit menu occurs without saving the setting value.

If heat request stops during the led blinking occur exit menu, but the setting value is stored.

5.13.5 Intermittent operation

Sequence for enable/disable

- Programming allowed in OPERATING mode and in STAND-BY
- Press the button for 20 sec. $\leq t < 25$ sec.
- GREEN led blinking 3 times
- Release the button
- GREEN led OFF
- Press the button 1 time to enable a shut-down every hour (*)
- Press the button 2 times to enable a shut-down every 24 hours (*)
- GREEN led ON and OFF every time press and release
- After 10 sec., the GREEN LED will blink for the number of times programmed (0.5 sec. ON; 0.5 sec. OFF).

The modification of the parameter setting for Intermittent operation takes effect:

- after the next heat request by the thermostat (HT)
- after the activation of a switch-off test
- after flame disappearance during operation
- after disconnecting and reconnecting the electrical supply

5.13.6 Setting a long pre-purging

The flame control allows you to set the long pre-purging, see paragraph "**Block diagram for entering the menu**" on page 31.

Sequence for setting a long pre-purging

- Programming allowed in OPERATING mode and in STAND-BY
- Press the button for 30 sec. $\leq t < 35$ sec.
- GREEN led blinking 5 times
- Release the button.
- GREEN led OFF
- Press the button 1 time to enable the long pre-purging (*)
- Press the button 2 times to disable the long pre-purging (*)
- GREEN led ON and OFF every time press and release
- After 10 sec., the GREEN LED will blink for the number of times programmed (0.5 sec. ON; 0.5 sec. OFF).

5.13.7 Displaying the lockout log

The flame control allows you to display the last 10 lockouts that occurred and were logged, accessing the Programming menu on page 31.

Access to this page is possible both in STAND-BY, as well as in the OPERATING status.

Display sequence of the last lockout that occurred

- Keep the button pressed for 35 sec. = $t < 40$ sec.
- The GREEN led blinks 6 times.
- Release the button.
- Displaying the type of lockout memorised for 10 sec.

The time displaying the type of lockout can be extended by repressing the reset button during the display of the lockout (the lockout display continues for another 10s).

5.13.8 Resetting the programming menu parameters and the lockout log

The flame control allows you to reset the log and the number of lockouts, the operating hours, the number of ignitions and recover the menu's default, see paragraph "Block diagram for entering the menu" on page 31.

Sequence for setting and restoring the parameters

- Programming allowed in OPERATING mode and in STAND-BY.
- Press the button for 40 sec. $\leq t < 45$ sec.
- The GREEN led blinks 7 times.
- Release the button.
- GREEN led OFF
- Press the button 1 time to reset the lockout log (*)
- Press the button 2 times to reset the number of lockouts (*)
- Press the button 3 times to reset the number of hours operating with flame (*)
- Press the button 4 times to reset the number of heat requests (*)
- Press the button 5 times to reset all the default values of the parameters of the PROGRAMMING MENU (*)
- GREEN led ON and OFF every time press and release
- After 10 sec., the GREEN LED will blink for the number of times programmed (0.5 sec. ON; 0.5 sec. OFF).

NOTE:

(*) Always wait 1 sec. with each pressing and release of the button to ensure the command is logged correctly.

5.14 Lockout types

Whenever a lockout occurs, the flame control shows the reasons for the fault (and the reasons can be identified by the reset button colour).

The sequence of pulses issued by the flame control of the LED in the reset button identifies the possible types of fault, which are listed in the table below:

Lockout description	Lockout time	Led colour (*)	Possible cause
Presence of parasite flame during stand-by or the post-purging	After 25 seconds	▲▲▲▲	- presence of a false flame after heat request or during post-purging
Detection of parasite flame during pre-purging	After 1 second	▲▲▲▲	- presence of false flame signal during pre-purging
The flame is not detected after the safety time	3 seconds after the activation of the gas valve	▲▲▲▲	- ionisation probe faulty or not connected - gas valve - faulty ignition transformer - badly regulated burner
Flame failure during operation	After 3 recycles	▲▲▲▲	- burner not calibrated correctly - ionisation probe faulty
Fan motor error	Immediate	▲●▲●	- faulty fan motor - fan motor not connected
Fault with the internal control of the 1st stage gas valve	Immediate	▲■▲■	- gas valve - internal control circuit of the 1st stage gas valve faulty
Eeprom error	Immediate	●■●■	- faulty internal memory
Lockout due to air pressure switch not closing after a heat request or after a recycle due to flame loss during operation	After 15 seconds	▲■▲■	- the air pressure is too low, (the head has been poorly adjusted) - The air pressure switch is defective: change it
Lockout for loss of air pressure or after repetition of the pre-purging due to loss of air, or 10 sec before the end of the pre-purging, or during the safety time, or during normal operation	After 1 second	▲▲▲▲	- the air pressure is too low, (the head has been poorly adjusted) - the air pressure switch is defective: change it
Lockout due to air pressure switch already switched to closing of the heat request thermostat or after a recycle due to flame loss during operation	After 120 seconds	▲●▲●	- the air pressure switch is changed over to the operational position, change the pressure switch - the fan motor continues to be powered, check the lockout of the flame control
Fault with the internal control circuit of the 2nd stage gas valve	Immediate	▲▲▲▲	- internal control circuit of the 2nd stage gas valve faulty

Tab. R

(*) For the blinking frequency of the reset button see paragraph “**Fault diagnostics - lockouts**” on page 26.



WARNING

To reset the flame control after visual diagnostics have been displayed, you must press the reset button.



WARNING

In the event the burner stops, in order to prevent any damage to the installation, do not unblock the burner more than twice in a row. If the burner locks out for a third time, contact the customer service.



DANGER

In the event there are further lockouts or faults with the burner, the maintenance interventions must only be carried out by qualified, authorised personnel, in accordance with the contents of this manual and in compliance with the standards and regulations of current laws.

6 Start-up, calibration and operation of the burner

6.1 Notes on safety for the first start-up



The first start-up of the burner must be carried out by qualified personnel, as indicated in this manual and in compliance with the standards and regulations of the laws in force.



Check the correct working of the adjustment, command and safety devices.



Refer to paragraph "Safety test - with gas ball valve closed" on page 36 before the first start-up.

6.2 Adjustments prior to ignition

- Check the adjustment of the head as shown in page 17.
- Check the adjustment of the air damper.
- Slowly open the manual valves situated upstream from the gas train.
- Adjust the air pressure switch to start of the scale.
- Purge the air from the gas line. We recommend using a plastic tube routed outside the building and to purge air until gas is smelt.



Before starting up the burner, it is good practice to adjust the gas train so that ignition takes place in conditions of maximum safety, i.e. with gas delivery at the minimum.

6.2.1 Air damper setting

Do not carry out the first ignition with the air damper lower than set point 1.

The air damper leaves the factory set for minimum output.

To vary the setting proceed as follows:

- loosen the nut 9)(Fig. 13) and the screws 8)(Fig. 13).
- When the burner shuts down the air damper closes automatically until a max. chimney depression of 0.5 mbar is reached.

6.3 Gas pressure switch



To calibrate the gas pressure switch, refer to the gas train manual.

6.4 Air pressure switch

The air pressure switch is set after all other adjustments have been made. Begin with the switch at the start of the scale.

With the burner function at the required output, turn the knob slowly in a clockwise direction until burner lockout.

Now turn the knob one notch anti-clockwise and repeat the burner start-up to check everything is regular.

If the burner locks out again, turn the knob again by half a notch.



In conformity with the standard, the air pressure switch must prevent the air pressure falling below 80% of the adjusted value and the CO in the flue gases exceeding 1% (10,000 ppm). To check this, insert a combustion analyser in the flue, slowly reduce the fan air setting (for example with a piece of cardboard) and verify that the burner locks out before the CO value in the flue gases exceeds 1%.

6.5 Combustion adjustment

In conformity with the EN 676, the application of the burner on the boiler, the adjustment and testing must be carried out in compliance with the instruction manual of the boiler, including control of the CO and CO₂ concentration in the flue gases, their temperature and the average temperature of the water in the boiler.

It is advisable to set the burner according to the type of gas used and following the indications in Tab. S.

EN 676		Excess air: max. output $\lambda \leq 1.2$ – min. output $\lambda \leq 1.3$			
GAS	Theoretical max CO ₂ 0 % O ₂	Setting CO ₂ %		CO mg/kWh	NO _x mg/kWh
		$\lambda = 1.2$	$\lambda = 1.3$		
G 20	11.7	9.7	9.0	≤ 100	≤ 170
G 25	11.5	9.5	8.8	≤ 100	≤ 170
G 30	14.0	11.6	10.7	≤ 100	≤ 230
G 31	13.7	11.4	10.5	≤ 100	≤ 230

Tab. S

7 Maintenance

7.1 Notes on safety for the maintenance

The periodic maintenance is essential for the good operation, safety, yield and duration of the burner.

It allows you to reduce consumption and polluting emissions and to keep the product in a reliable state over time.



The maintenance interventions and the calibration of the burner must only be carried out by qualified, authorised personnel, in accordance with the contents of this manual and in compliance with the standards and regulations of current laws.

Before carrying out any maintenance, cleaning or checking operations:



Disconnect the electrical supply from the burner by means of the main system switch.



Close the fuel interception tap.



Wait for the components in contact with heat sources to cool down completely.

7.2 Maintenance programme

7.2.1 Maintenance frequency



The gas combustion system should be checked at least once a year by a representative of the manufacturer or another specialised technician.

7.2.2 Safety test - with gas ball valve closed

It is fundamental to ensure the correct execution of the electrical connections between the gas solenoid valves and the burner to perform safely the commissioning.

For this purpose, after checking that the connections have been carried out in accordance with the burner's electrical diagrams, an ignition cycle with closed gas ball valve -dry test- must be performed.

- 1 The manual ball gas valve must be closed
- 2 The electrical contacts of the burner limit switch need to be closed
- 3 Ensures closed the contact of the low gas pressure switch
- 4 Make a trial for burner ignition

The start-up cycle must be as follows:

- Starting the fan for pre-ventilation
- Performing the gas valve seal control, if provided
- Completion of pre-ventilation
- Arrival of the ignition point
- Power supply of the ignition transformer
- Electrical Supply of solenoid gas valves

Since the manual gas ball valve is closed, the burner will not light up and its flame control will go to a safety lockout condition.

The actual electrical supply of the solenoid gas valves can be verified by inserting a tester. Some valves are equipped with light signals (or close/open position indicator) that turn on at the same time as their power supply.



IF THE ELECTRICAL SUPPLY OF THE GAS VALVES OCCURS AT UNEXPECTED TIMES, DO NOT OPEN MANUAL GAS BALL VALVE, SWITCH OFF POWER LINE; CHECK THE WIRES; CORRECT THE ERRORS AND REPEAT THE COMPLETE TEST.

7.2.3 Checking and cleaning



The operator must use the required equipment during maintenance.

Combustion

Check there are no occlusions or obstructions in the fuel supply or return lines, in the air suction areas, and in the combustion product waste pipe.

Carry out an analysis of the combustion flue gases.

Significant differences with respect to the previous measurements indicate the points where most care should be exercised during maintenance.

Combustion head

Check that the positioning of the combustion head is correct and that it is properly fixed to the boiler.

Open the burner and make sure that all components of the combustion head are in good condition, not deformed by the high temperatures, free of impurities from the surroundings and correctly positioned.

Burner

Check that there are not excess wear or loosen screws.
Clean the outside of the burner.

Fan

Check that the air damper is positioned correctly.

Check to make sure that no dust has accumulated inside the fan or on its impellers, as this condition will cause a reduction in the air flow rate and provoke polluting combustion.

Gas distributor

Check at regular intervals that the holes of the gas head are not obstructed. If they are, clean them with a pointed tool as shown in Fig. 26.

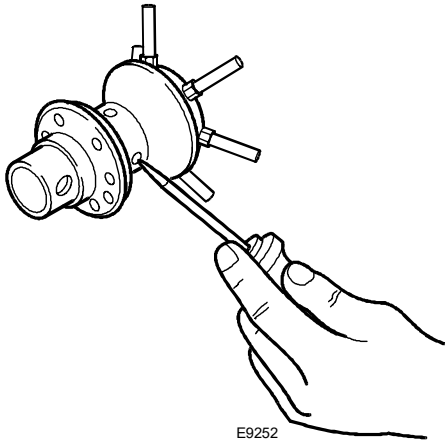


Fig. 26

Boiler

Clean the boiler as indicated in its accompanying instructions in order to maintain all the original combustion characteristics intact, especially: the flue gas temperature and combustion chamber pressure.

Gas train

Check that the gas train is suited to the burner capacity, the type of gas used and the mains gas pressure.

Electrode-probe

Checking the proper positioning of the ionisation probe and electrode as shown in Fig. 15 on page 18.

Pressure switches

Check that the air pressure switch and the gas pressure switch are set correctly.

Gas leaks

Make sure that there are no gas leaks on the pipe between the gas meter and the burner.

Gas filter

Change the gas filter when it is dirty.

Combustion

If the combustion values measured before starting maintenance do not comply with applicable legislation or do not indicate efficient combustion, consult the Tab. S on page 35 or contact our Technical Support Service to implement the necessary adjustments.

Leave the burner working without interruption for about 10 min, checking the right settings in the 1st and 2nd stage of all the components stated in this manual:

- Percentage of CO₂ (%);
- CO content (ppm)
- NOx content (ppm)
- Ionisation current (µA)
- Smoke temperature at the flue

7.2.4 Safety components

The safety components must be replaced at the end of their life cycle indicated in Tab. T. The specified life cycles do not refer to the warranty terms indicated in the delivery or payment conditions.

Safety component	Life cycle
Flame control	10 years or 250,000 operation cycles
Flame sensor	10 years or 250,000 operation cycles
Gas valves (solenoid)	10 years or 250,000 operation cycles
Pressure switches	10 years or 250,000 operation cycles
Pressure adjuster	15 years
Servomotor (electronic cam) (if present)	10 years or 250,000 operation cycles
Oil valve (solenoid) (if present)	10 years or 250,000 operation cycles
Oil regulator (if present)	10 years or 250,000 operation cycles
Oil pipes/ couplings (metallic) (if present)	10 years
Fan impeller	10 years or 500,000 start-ups

Tab. T

7.3 Opening the burner



Disconnect the electrical supply from the burner by means of the main system switch.



Close the fuel interception tap.



Wait for the components in contact with heat sources to cool down completely.

If maintenance of the combustion head is required, refer to the instructions given in Operating position on page 15.

For accessing to the interior of the burner, loosen the screws that secure the cover and proceed with the maintenance operation.



Operating safety hazards

Repairs to the following components may only be carried out by the respective manufacturers or by personnel instructed by them:

- fan motor
- air damper
- electromagnetic valves
- burner programmer

Check the operation

- Burner start-up with sequence of the functions
- Ignition device
- Air pressure switch
- Flame monitoring
- Seal test of components to the passage of fuel



After carrying out maintenance, cleaning or checking operations, reassemble the cover and all the safety and protection devices of the burner.

8 **Faults - Possible causes - Solutions**

Here below you can find some causes and the possible solutions for some problems that could cause a failure to start or a bad working of the burner.

In most cases, an operation irregularity leads to the lighting up of the signal inside the reset button of the flame control (Fig. 7 on page 13).

When lock out lamp lights the burner will attempt to light only after pushing the reset button. If ignition is then normal, the lockout can be attributed to a temporary fault.

However, if lockout continues, you must determine the cause of the problem and take the action illustrated in Tab. U and Tab. V.



In the event the burner stops, in order to prevent any damage to the installation, do not unblock the burner more than twice in a row. If the burner locks out for a third time, contact the customer service.



In the event there are further lockouts or faults with the burner, the maintenance interventions must only be carried out by qualified, authorised personnel, in accordance with the contents of this manual and in compliance with the standards and regulations of current laws.

8.1 **Start-up problems**

Faults	Possible Causes	Solution
The burner does not start when the heat request thermostat closes.	Lack of electrical supply.	Check presence of voltage in the L1-N clamps of the 7 pin plug. Check the conditions of the fuses. Check that safety thermostat (TS) is not in lockout.
	Lack of gas.	Check the gate opening. Check that the valves change over to the opening position and there are not short circuits.
	The gas pressure switch does not close its contact.	Adjust them.
	The connections in the flame control are wrongly inserted.	Check and connect completely all the plugs.
	The air pressure switch is changed over to the operational position.	Replace the pressure switch.
Burner runs normally in pre-purging and ignition cycle and locks out after the safety time.	The phase-neutral connection is inverted.	Invert them.
	The earth connection lacks or is inefficient.	Make the earth connection efficient.
	The ionisation probe is earthed or not in contact with the flame, or its wiring to the flame control is broken, or there is a fault on its insulation to the earth.	Check the right position and if necessary set it according to the instructions of this manual. Reset the electrical wiring. Replace the faulty connection.
Burner starts with an ignition delay.	The ignition electrodes is wrongly positioned.	Adjust it according to the instructions of this manual.
	Air output is too high.	Set the air output according to the instructions of this manual.
	Valve brake is too close with insufficient gas output.	Adjust it.
The burner locks out after the pre-purging phase due to flame-failure.	The solenoid valves is passing too little gas.	Check the pressure in the network and/or adjust the solenoid valve according to the instructions of this manual.
	The solenoid valve is defective.	Change them.
	The ignition arc is irregular or has failed.	Check the right insertion of the connectors. Check the right position of the electrode according to the instructions of this manual.
	The pipe has not been purged from the air.	Carry out a complete breathing of the line of gas-supply.
The burner locks out during the pre-purging phase.	The air pressure switch does not change over to the operational position.	The pressure switch is faulty, replace it. The air pressure is too low, (the head is bad adjusted).
	The flame exists.	Faulty valves: replace them.

Faults	Possible Causes	Solution
The burner continues to repeat the starting cycle without going on lockout.	<p>The gas pressure in the gas-mains lies very close to the value to which the gas pressure switch has been set.</p> <p>The sudden drop in pressure when the valve is opened provokes the opening of the pressure switch itself, so the valve closes again immediately and the motor stops.</p> <p>The pressure then starts to increase again, the pressure switch closes, the start-up cycle begins again and so on.</p>	Lower and set the pressure switch.

Tab. U

8.2 Operating faults

Fault	Possible Causes	Solution
The burner locks out during operation.	Earth probe.	<p>Check the right position and if necessary set it according to the instructions of this manual.</p> <p>Clean or replace the ionisation probe.</p>
	The flame disappears 4 times.	Check the gas pressure in the network and/or adjust the solenoid valve according to the instructions of this manual .
	Air pressure switch opening.	<p>The air pressure is too low, (the head is bad adjusted).</p> <p>The air pressure switch is defective: change it.</p>
Burner shut down.	Gas pressure switch opening.	Check the pressure in the network and/or adjust the solenoid valve according to the instructions of this manual.

Tab. V

A Appendix - Accessories

Extended head

Burner	Standard length (mm)	Extended head length (mm)	Code
BS1	70 ÷ 116	150 - 160	20031875
BS2 (long)	100 - 114	170 - 180	3001007
BS2 (extra long)	100 - 114	270 - 280	3001008
BS3	110 - 128	267 - 282	3001009
BS4	145 - 168	302 - 317	3001016

LPG kit

Burner	Kit code for standard head and extended head	Code *
BS1	3001003	3002734
BS2	3001004	3002735
BS3	3001005	3002736
BS4	3001011	3002737

* LPG kit with butane amount over 30%.

Town gas kit

Burner	Kit code for standard head	Kit code for extended head
BS1	3002727	-
BS2	3002728	3002728
BS3	3002729	3002729

Vibration damper flame funnel kit

Burner	Code
BS1	3001059
BS2	3001064
BS3	3001060
BS4	3001070

7-pin plug kit

Burner	Code
All models	3000945

Gas trains in compliance with EN 676

Please refer to manual.

Differential circuit breaker kit

Burner	Code
All models	3001180

Multibloc rotation kit

Burner	Code
BS1	3001179
BS2	3001177
BS3 - BS4	3001178

PC interface kit

Burner	Code
All models	3002731

Índice

1	Declaraciones	3
2	Informaciones y advertencias generales	4
2.1	Información sobre el manual de instrucciones	4
2.1.1	Introducción	4
2.1.2	Peligros generales	4
2.1.3	Otros símbolos	4
2.1.4	Entrega de la instalación y del manual de instrucción	5
2.2	Garantía y responsabilidades	5
3	Seguridad y prevención	6
3.1	Introducción	6
3.2	Adiestramiento del personal	6
4	Descripción técnica del quemador	7
4.1	Designación quemadores	7
4.2	Modelos disponibles	7
4.3	Categorías del quemador - Países de destino	7
4.4	Datos técnicos	8
4.5	Datos eléctricos	8
4.6	Dimensiones máximas totales	9
4.7	Preparación de la caldera	9
4.7.1	Perforación de la placa caldera	9
4.8	Campos de trabajo	10
4.9	Caldera de prueba	11
4.9.1	Calderas comerciales	11
4.10	Descripción del quemador	12
4.11	Material suministrado en dotación	12
4.12	Caja de control eléctrica	13
5	Instalación	14
5.1	Notas sobre la seguridad para la instalación	14
5.2	Advertencias para evitar que el quemador se recaliente excesivamente o la mala combustión	14
5.3	Traslado	14
5.4	Controles preliminares	15
5.5	Posición de funcionamiento	15
5.6	Fijación del quemador a la caldera	16
5.7	Regulación cabezal de combustión	17
5.7.1	Extracción del grupo cabezal	17
5.7.2	Montaje del grupo cabezal	17
5.8	Posicionamiento sonda-electrodo	18
5.9	Alimentación gas	19
5.9.1	Línea alimentación gas	19
5.9.2	Alimentación eléctrica de la rampa	19
5.9.3	Rampa de gas	20
5.9.4	Presión gas	20
5.10	Conexiones eléctricas	21
5.10.1	Esquema eléctrico realizado en fábrica	22
5.11	Programa de funcionamiento	23
5.12	Tabla de los tiempos	24
5.12.1	Indicación del estado de funcionamiento	24
5.12.2	Diagnóstico anomalías - bloqueos	25
5.12.3	Control del presostato gas	26
5.12.4	Control del presostato aire	26
5.12.5	Ensayo de apagado	26
5.12.6	Funcionamiento intermitente	26
5.12.7	Reciclado y límite de repeticiones	26
5.12.8	Presencia de luz extraña o llama parásita	26
5.12.9	Duración de la descarga del transformador de encendido	27
5.12.10	Desbloqueo del quemador con pulsador y desde remoto	27
5.12.11	Desbloqueo protección	27
5.12.12	Pulsador de desbloqueo / Anomalía en desbloqueo a distancia	27
5.12.13	Señalización externa de bloqueo (S3)	27
5.12.14	Función cuentahoras (B4)	27
5.12.15	Pantalla de la tensión de alimentación	27

Índice

5.12.16	Anomalía en la frecuencia de la alimentación principal	27
5.12.17	Anomalía en la tensión interna	27
5.12.18	Comprobación del motor ventilador	27
5.12.19	Control de los fallos de la válvula de 1° y 2° llama y del motor	28
5.12.20	Comprobación EEprom	28
5.12.21	Corriente de ionización	28
5.12.22	Post-ventilación	28
5.12.23	Ventilación continua	28
5.12.24	Historial de los bloqueos	29
5.12.25	Memorización de los parámetros de funcionamiento del quemador	29
5.12.26	Longitudes admisibles de las conexiones externas del quemador	29
5.12.27	Pre-ventilación larga	29
5.13	Menú de programación	30
5.13.1	General	30
5.13.2	Diagrama de bloques para la entrada al menú	30
5.13.3	Ensayo de apagado	31
5.13.4	Post-ventilación y ventilación continua	31
5.13.5	Funcionamiento intermitente	31
5.13.6	Configuración de la pre-ventilación larga	31
5.13.7	Visualización del historial de bloqueos	32
5.13.8	Reset de los parámetros del menú de programación y del historial de bloqueos	32
5.14	Tipos de bloqueo	33
6	Puesta en funcionamiento, calibración y funcionamiento del quemador	34
6.1	Notas sobre la seguridad para la primera puesta en funcionamiento	34
6.2	Regulaciones antes del encendido	34
6.2.1	Regulación registro de aire	34
6.3	Presostato gas	34
6.4	Presostato aire	34
6.5	Regulación de la combustión	34
7	Mantenimiento	35
7.1	Notas sobre la seguridad para el mantenimiento	35
7.2	Programa de mantenimiento	35
7.2.1	Frecuencia del mantenimiento	35
7.2.2	Prueba de seguridad – con alimentación gas cerrada	35
7.2.3	Control y limpieza	35
7.2.4	Componentes de seguridad	36
7.3	Abertura del quemador	36
8	Anomalías - Causas - Soluciones	37
8.1	Dificultad en el arranque	37
8.2	Anomalías en el funcionamiento	38
A	Apéndice - Accesorios	39

1 Declaraciones

Declaración SVGW

RIELLO S.p.A. declara que los quemadores de gas de aire soplado modelo **BS1, BS2, BS3 e BS4** cumplen con los requisitos de las siguientes directivas y prescripciones técnicas:

SSIGA	Directiva Gas G1
AICAA	Prescripciones para la prevención de incendios
	Diferentes prescripciones de los cantones y municipios sobre la calidad del aire y el ahorro energético.

Declaración de conformidad A.R. 8/1/2004 & 17/7/2009 – Belgio

Productor: RIELLO S.p.A.
 Puesta en circulación por: 37045 Legnago (VR) Italy
 Tel. ++39.0442630111
 www.riello.com

Con la presente se certifica que la serie de aparatos especificada a continuación es conforme al modelo tipo descrito en la declaración de conformidad CE, y ha sido producida y puesta en circulación de acuerdo con las exigencias definidas en el D.L. del 8 de enero de 2004 y 17 de julio de 2009.

Tipo de producto:	Quemador de gas con aire soplado			
Modelo:	BS1 - BS2 - BS3 - BS4			
Norma aplicada:	EN 676 y A.R. del 8 de enero de 2004 - 17 de julio de 2009			
Valores medidos:	BS1	CO máx: 13 mg/kWh NOx máx: 66 mg/kWh	BS3	CO máx: 15 mg/kWh NOx máx: 52 mg/kWh
	BS2	CO máx: 13 mg/kWh NOx máx: 52 mg/kWh	BS4	CO máx: 11 mg/kWh NOx máx: 54 mg/kWh
Organismo de control:	Kiwa Cermet Italia S.p.A. Via Treviso 32-34 I-31020 San Vendemiano (TV)			

2 Informaciones y advertencias generales

2.1 Información sobre el manual de instrucciones

2.1.1 Introducción

El manual de instrucción entregado como suministro del quemador:

- constituye parte integrante y fundamental del producto y no se lo debe separar del quemador; por lo tanto debe conservarse con cuidado para toda necesidad de consulta y debe acompañar al quemador incluso en caso de entregarse a otro propietario o usuario, o en caso de transferencia a otra instalación. En caso de daño o extravío debe solicitarse otro ejemplar al Servicio Técnico de Asistencia de la Zona;
- fue realizado para uso de personal cualificado;
- suministra importantes indicaciones y advertencias sobre la seguridad de la instalación, la puesta en funcionamiento, el uso y el mantenimiento del quemador.

Simbología utilizada en el manual

En algunas partes del manual figuran señales triangulares de PELIGRO. Prestar mucha atención a las mismas ya que indican una situación de peligro potencial.

2.1.2 Peligros generales

Los **peligros** pueden ser de **3 niveles**, como se indica a continuación.



¡Máximo nivel de peligro!
Este símbolo distingue las operaciones que si no se ejecutan correctamente causarán graves lesiones, muerte o riesgos a largo plazo para la salud.



Este símbolo distingue a las operaciones que si no se ejecutan correctamente podrían causar graves lesiones, muerte o riesgos a largo plazo para la salud.



Este símbolo distingue a las operaciones que si no se ejecutan correctamente podrían causar daños a la máquina y/o a las personas.

2.1.3 Otros símbolos



PELIGRO COMPONENTES CON TENSION
Este símbolo distinguirá las operaciones que si no se ejecutan correctamente causarán descargas eléctricas con consecuencias mortales.



PELIGRO MATERIAL INFLAMABLE
Este símbolo indica la presencia de sustancias inflamables.



PELIGRO DE QUEMADURAS
Este símbolo indica el riesgo de quemaduras por altas temperaturas.



PELIGRO APLASTAMIENTO EXTREMIDADES
Este símbolo proporciona informaciones de órganos en movimiento: peligro de aplastamiento de las extremidades.



ATENCIÓN ÓRGANOS EN MOVIMIENTO
Este símbolo proporciona informaciones para evitar el acercamiento de las extremidades a órganos mecánicos en movimiento; peligro de aplastamiento.



PELIGRO DE EXPLOSIÓN
Este símbolo proporciona indicaciones sobre lugares en los que podría haber atmósferas explosivas. Por atmósfera explosiva se entiende una mezcla con el aire, en condiciones atmosféricas, de sustancias inflamables en el estado de gas, vapores, nieblas o polvos en la que, después del encendido, la combustión se propaga al conjunto de la mezcla no quemada.



DISPOSITIVOS DE PROTECCIÓN INDIVIDUAL
Estos símbolos marcan el equipamiento que debe llevar el operario para protegerse contra los riesgos que amenazan la seguridad o la salud en el desarrollo de su actividad laboral.



OBLIGACIÓN DE MONTAR LA TAPA Y TODOS LOS DISPOSITIVOS DE SEGURIDAD Y PROTECCIÓN
Este símbolo señala la obligación de volver a montar la tapa y todos los dispositivos de seguridad y protección del quemador después de operaciones de mantenimiento, limpieza o control.



DEFENSA DEL MEDIO AMBIENTE
Este símbolo suministra indicaciones para usar la máquina respetando el medio ambiente.



INFORMACIONES IMPORTANTES
Este símbolo proporciona información importante a tener en cuenta.

➤ Este símbolo distingue a una lista.

Abreviaturas utilizadas

Cap.	Capítulo
Fig.	Figura
Pág.	Página
Sec.	Sección
Tab.	Tabla

2.1.4 Entrega de la instalación y del manual de instrucción

En ocasión de la entrega de la instalación es necesario que:

- El manual de instrucción sea entregado por el proveedor de la instalación al usuario, con la advertencia de que dicho manual debe ser conservado en el local de la instalación del generador de calor.
- En el manual de instrucción figuran:
 - el número de matrícula del quemador;

.....

- la dirección y el número de teléfono del Centro de Asistencia más cercano;

.....

.....

.....

- El proveedor de la instalación informe con precisión al usuario acerca de:
 - el uso de la instalación,
 - las eventuales pruebas futuras que pudieran ser necesarias antes de activar la instalación,
 - el mantenimiento y la necesidad de controlar la instalación por lo menos una vez al año por un encargado del Fabricante o por otro técnico especializado. Para garantizar un control periódico, el fabricante recomienda estipular un Contrato de Mantenimiento.

2.2 Garantía y responsabilidades

El fabricante garantiza sus productos nuevos a partir de la fecha de instalación según las normativas vigentes y/o de acuerdo con el contrato de venta. Verificar, en el momento de la primera puesta en funcionamiento, que el quemador esté en buen estado y completo.



ATENCIÓN

La inobservancia de todo lo descrito en este manual, la negligencia operativa, una instalación incorrecta y la realización de modificaciones no autorizadas serán causa de anulación por parte del fabricante, de la garantía que la misma otorga al quemador.

En particular, los derechos a la garantía y a la responsabilidad caducarán, en caso de daños a personas y/o cosas cuando los daños hayan sido originados por una o más de las siguientes causas:

- instalación, puesta en funcionamiento, uso y mantenimiento del quemador incorrectos;
- Uso inadecuado, erróneo e irracional del quemador;
- intervención de personal no habilitado;
- realización de modificaciones no autorizadas en el aparato;
- uso del quemador con dispositivos de seguridad defectuosos, aplicados en forma incorrecta y/o que no funcionen;
- instalación de los componentes adicionales no probados junto con el quemador;
- alimentación del quemador con combustibles no aptos;
- defectos en la instalación de alimentación del combustible;
- uso del quemador aunque se encuentre dañado;
- reparaciones y/o revisiones realizadas en forma incorrecta;
- modificación de la cámara de combustión mediante introducción de elementos que impidan el normal desarrollo de la llama implementada en fábrica;
- insuficiente e inadecuada vigilancia y cuidado de los componentes del quemador que están mayormente sujetos a desgaste;
- uso de componentes no originales, sean éstos recambios, kits, accesorios y opcionales;
- causas de fuerza mayor.

El fabricante, además, declina toda y cualquier responsabilidad por la inobservancia de todo cuanto mencionado en el presente manual.

3 Seguridad y prevención

3.1 Introducción

Los quemadores fueron diseñados y fabricados en conformidad con las normas y directivas vigentes, aplicando las regulaciones técnicas de seguridad conocidas y previendo todas las situaciones de peligro potenciales.

Sin embargo, se debe considerar que usar el aparato de modo imprudente y sin experiencia puede causar situaciones de peligro, mortales para el usuario o terceros, además de daños al quemador y a otros bienes. La distracción, imprevisión y demasiada confianza a menudo son causa de accidentes; como pueden serlo el cansancio y la somnolencia.

Es conveniente tener en cuenta lo siguiente:

- El quemador debe destinarse solo al uso para el cual fue expresamente previsto. Todo otro uso debe considerarse impropio y por lo tanto peligroso.

En detalle:

puede ser aplicado a calderas de agua, de vapor, de aceite diatérmico, y a otros dispositivos expresamente previstos por el fabricante;

el tipo y la presión del combustible, la tensión y la frecuencia de la corriente eléctrica de alimentación, los caudales mínimos y máximos con los cuales está regulado el quemador, la presurización de la cámara de combustión, las dimensiones de la cámara de combustión, la temperatura ambiente, deben estar comprendidos dentro de los valores indicados en el manual de instrucciones.

- No está permitido modificar el quemador para alterar las prestaciones ni los destinos.
- El uso del quemador se debe realizar en condiciones de seguridad técnica irreprochables. Los eventuales inconvenientes que puedan comprometer la seguridad se deben eliminar inmediatamente.
- No está permitido abrir o alterar los componentes del quemador, excepto aquellas partes previstas en el mantenimiento.
- Únicamente las piezas previstas por el fabricante pueden sustituirse.



ATENCIÓN

El fabricante garantiza la seguridad del buen funcionamiento solo si todos los componentes del quemador están íntegros y correctamente colocados.

3.2 Adiestramiento del personal

El usuario es la persona, entidad o empresa que compra la máquina y cuya intención es usarla con el fin para el cual fue concebida. Suya es la responsabilidad de la máquina y del adiestramiento de aquellos que trabajen en ella.

El usuario:

- está obligado a confiar la máquina exclusivamente a personal calificado y adiestrado para ese fin;
- está obligado a informar a su personal en forma conveniente sobre la aplicación y observancia de las prescripciones de seguridad. Para ello se responsabiliza de que cualquiera dentro de sus atribuciones tenga conocimiento de las instrucciones para el uso y de las prescripciones de seguridad;
- El personal deberá atenerse a todas las indicaciones de peligro y de precaución señalizadas en la máquina.
- El personal no deberá emplear su propia iniciativa en operaciones o intervenciones que no sean de su competencia.
- El personal tiene la obligación de manifestar a su superior todo problema o situación de peligro que pudiera crearse.
- El montaje de las piezas de otras marcas o eventuales modificaciones puede cambiar las características de la máquina y por lo tanto perjudicar la seguridad operativa. Por lo tanto, la Empresa Fabricante declina toda y cualquier responsabilidad por los daños que pudieran surgir causados por el uso de piezas no originales.

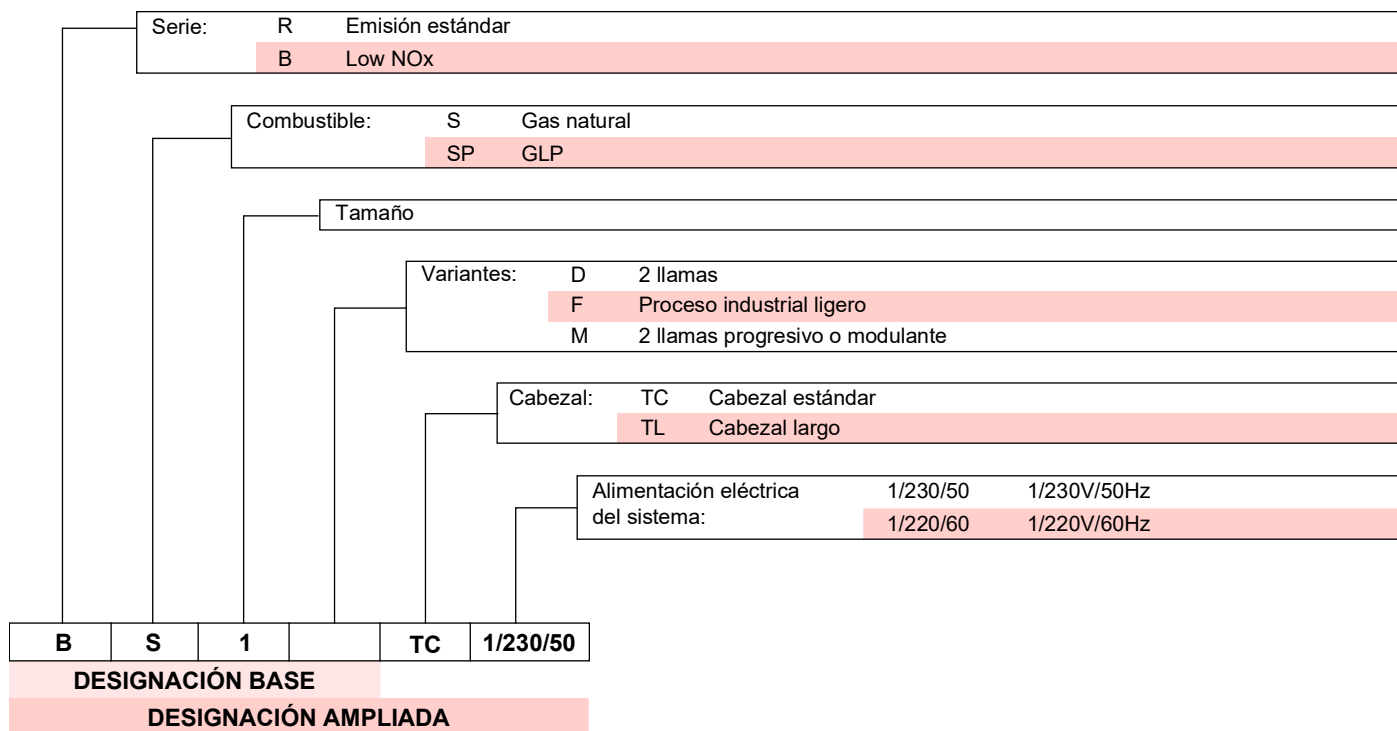
Además:



- es responsable de tomar todas las medidas necesarias para evitar que personas no autorizadas tengan acceso a la máquina;
- deberá informar a la Empresa Fabricante en caso de que compruebe defectos o mal funcionamiento de los sistemas de prevención de accidentes, además de toda situación de supuesto peligro;
- el personal siempre deberá usar los equipos de protección individual previstos por la legislación y cumplir todo lo mencionado en el presente manual.

4 Descripción técnica del quemador

4.1 Designación quemadores



4.2 Modelos disponibles

Designación	Cabezal de combustión	Tensión	Código
BS1	TC	1/230/50	3761158
BS2	TC	1/230/50	3761258
BS2 TL	TL	1/230/50	20052601
BS3	TC	1/230/50	3761316 - 3761358
BS4	TC	1/230/50	3761416 - 3761458
BS4 TL	TL	1/230/50	20052612

Tab. A

4.3 Categorías del quemador - Países de destino

País de destino	Categoría gas
LV	I _{2H}
DE	II _{2ELL3B/P}
NL	II _{2EK}
FR	II _{2Er3P}
BE	I _{2E(R)} - I _{3P}
LU - PL	II _{2E3B/P}
CY - MT	I _{3B/P}
AT - CH - CZ - DK - EE - FI - GR - HU - IS - IT - LT - NO - RO - SE - SI - SK - TR - BG	II _{2H3B/P}
ES - GB - IE - PT	II _{2H3P}

Tab. B

NOTA:

solo para Suiza: Se deben respetar las disposiciones suizas, las SVGW para el uso de gas, las de los cantones y las locales, así como también las indicaciones de los Bomberos (VKF).

4.4 Datos técnicos

Modelo		BS1	BS2	BS3	BS4
Potencia térmica ⁽¹⁾	kW	16/19 ÷ 52	35/40 ÷ 92	65/75 ÷ 197	110/140 ÷ 249
	Mcal/h	13,8/16,3 ÷ 44,7	30,1/34,4 ÷ 78,2	55,9/68,8 ÷ 162,5	94,6/120,4 ÷ 215
Combustible	Gas G20	Pci 8 ÷ 12 kWh/m ³ – 7.000 ÷ 10.340 kcal/m ³ Presión: mín. 20 mbar – máx. 100 mbar			
Funcionamiento		Intermitente (FS1)			
Empleo		Calderas: con agua o aceite diatérmico			
Temperatura ambiente	°C	0 - 40			
Temperatura aire comburente	°C máx	40			
Nivel sonoro ⁽²⁾	Presión sonora	61	62	66	71
	Potencia sonora	72	73	77	82
Peso	kg	10	11 - 13	15 - 17	16,5 - 18,5
CE	No.	CE-0476DP3336			

Tab. C

(1) Condiciones de referencia: Temperatura 20°C - Presión barométrica 1013 mbar – Altitud 0 m s.n.m.

(2) Presión sonora medida en el laboratorio de combustión del fabricante, con quemador funcionando en caldera de prueba a la máxima potencia. La potencia sonora se mide con el método "Free Field", previsto por la Norma EN 15036, y según una exactitud de medida "Accuracy: Category 3", como se describe en la Norma EN ISO 3746.

4.5 Datos eléctricos

Modelo		BS1	BS2	BS3	BS4
Alimentación eléctrica		1~ 230V 50 Hz			
Potencia eléctrica absorbida	kW	0,15	0,18	0,35	0,53
Grado de protección		IP40			

Tab. D

4.6 Dimensiones máximas totales

Las dimensiones del quemador y de la brida se indican en la Fig. 1.

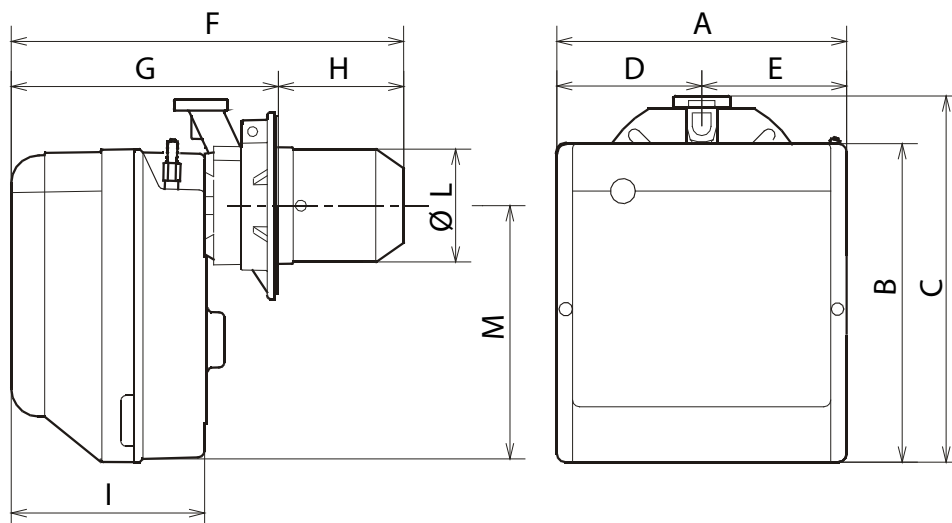


Fig. 1

Modelo	A	B	C	D	E	F	G	H	I	ø L	M
BS1	234	254	295	122,0	112,0	346	230 ÷ 276	116 ÷ 70	174	89	210
BS2	255	280	325	125,5	125,5	352	238 ÷ 252	114 ÷ 100	174	106	230
BS2 TL	255	280	325	125,5	125,5	422	238 ÷ 252	184 ÷ 170	174	106	230
BS3	300	345	391	150,0	150,0	390	262 ÷ 280	128 ÷ 110	196	129	285
BS4	300	345	392	150,0	150,0	446	278 ÷ 301	168 ÷ 145	216	137	286
BS4 TL	300	345	392	150,0	150,0	603	278 ÷ 301	325 ÷ 302	216	137	286

Tab. E

4.7 Preparación de la caldera

4.7.1 Perforación de la placa caldera

Taladrar la placa de cierre de la cámara de combustión tal como se indica en Fig. 2.

Puede marcarse la posición de los orificios roscados utilizando la junta aislante que se suministra con el quemador.

Modelo	A	B	C	D	E	F
BS1	192	66	167	140	170	89
BS2	192	66	167	140	170	106
BS2 TL	192	66	167	140	170	106
BS3	216	76,5	201	160	190	129
BS4	218	80,5	203	170	200	137
BS4 TL	218	80,5	203	170	200	137

Tab. F

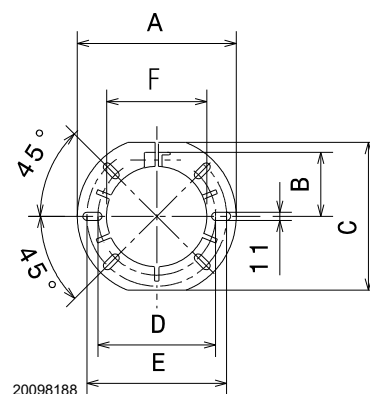


Fig. 2

4.8 Campos de trabajo

La potencia del quemador debe elegirse dentro del área del diagrama (Fig. 4 y Fig. 5).



ATENCIÓN

Los campos de trabajo (Fig. 4 y Fig. 5) se han calculado considerando una temperatura ambiente de 20 °C, una presión barométrica de 1013 mbar (aprox. 0 metros s.n.m.) y con el cabezal de combustión regulado como se indica en la pág. 18.



ATENCIÓN

Solamente para el modelo BS4

Para garantizar el funcionamiento con un rendimiento de 220 ÷ 249 kW, quitar el fonoabsorbente petroquelado para liberar los orificios adicionales de entrada de aire a la tapa (véase **A** Fig. 5).

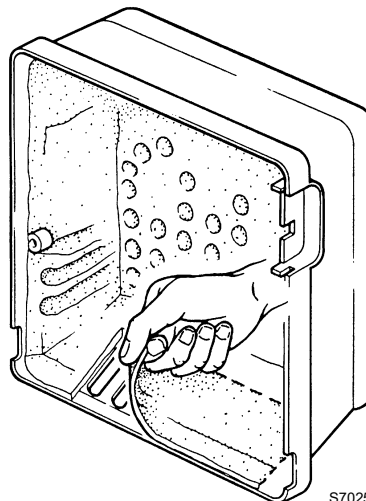


Fig. 3

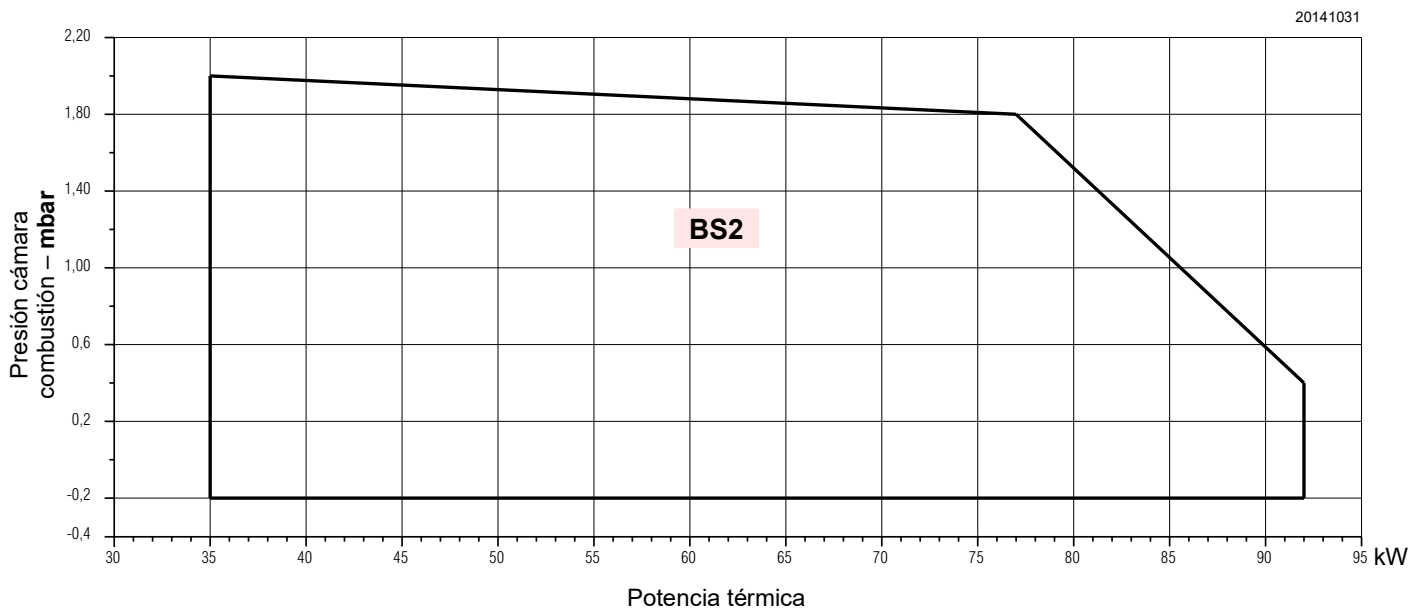
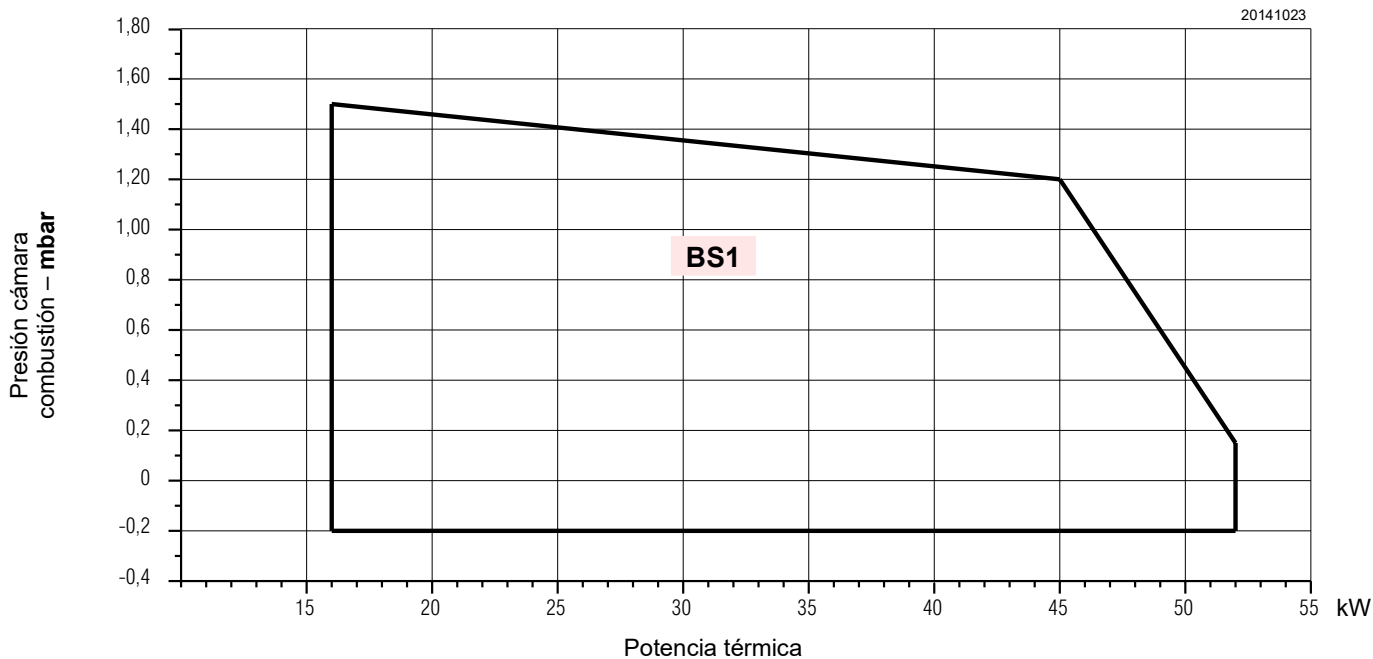


Fig. 4

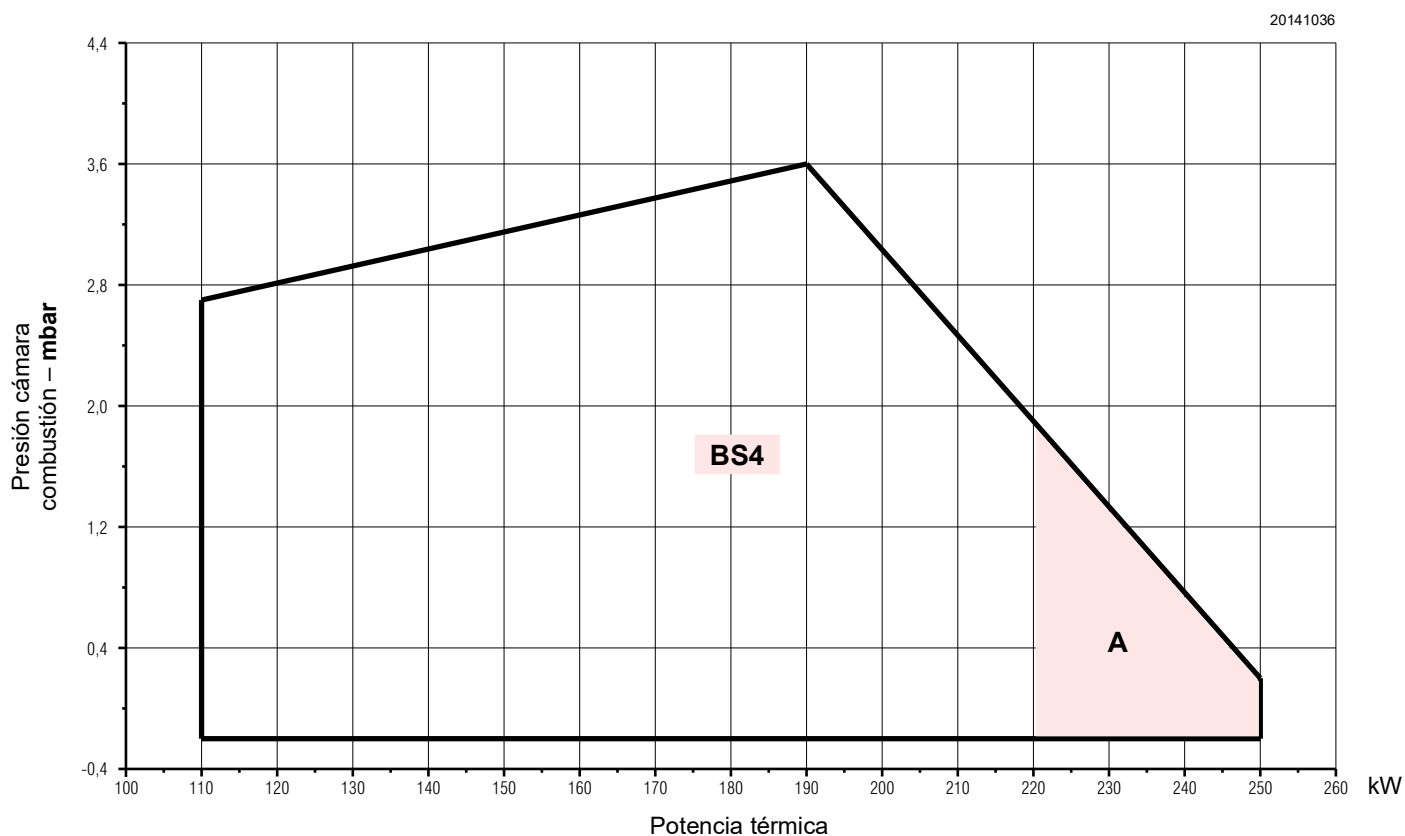
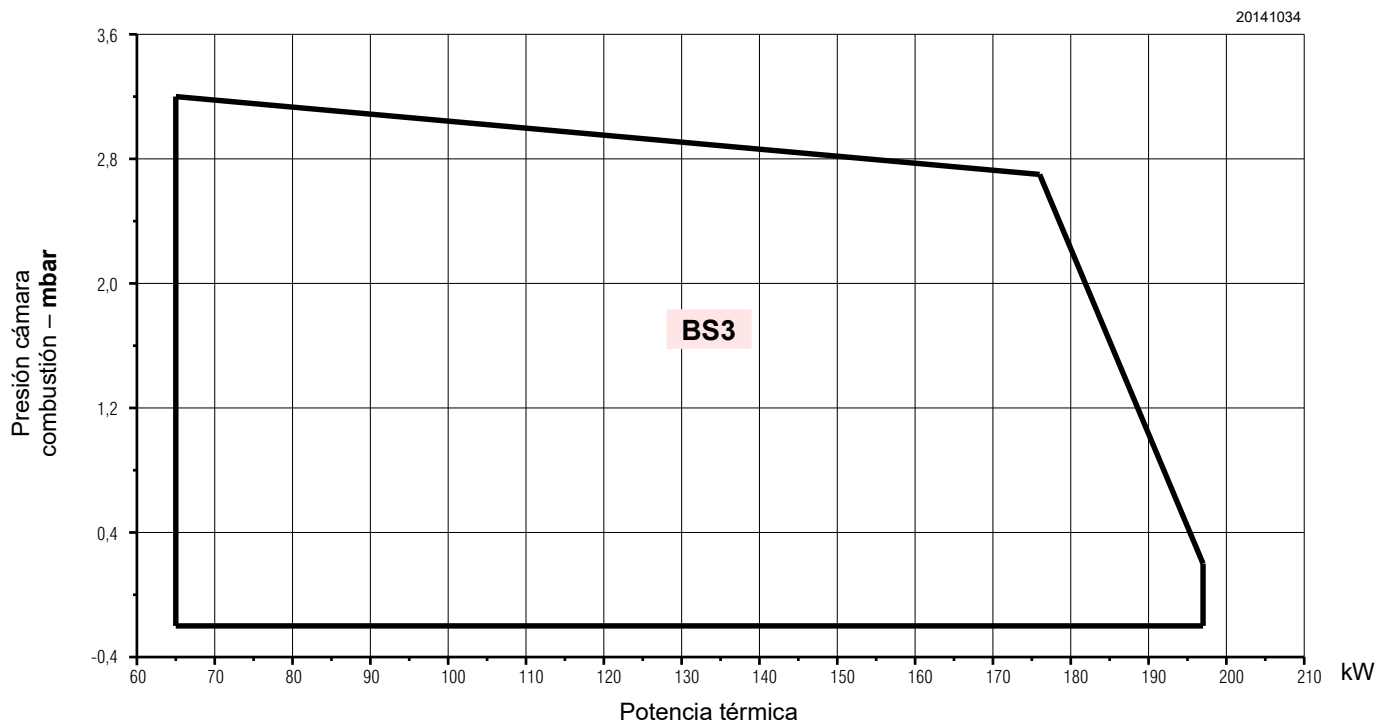


Fig. 5

4.9 Caldera de prueba

El campo de trabajo se obtuvo en calderas de prueba según la norma EN 676.

4.9.1 Calderas comerciales

El acoplamiento quemador-caldera no presenta problemas si la caldera es conforme a la norma EN 303 y las dimensiones de su cámara de combustión se asemejan a aquellas previstas en la norma EN 676.

Por el contrario, si el quemador se combina con una caldera comercial y no cumple con la norma EN 303 o cuya cámara de combustión tiene dimensiones más pequeñas que aquellas indicadas en la norma EN 676, consulte al fabricante.

4.10 Descripción del quemador

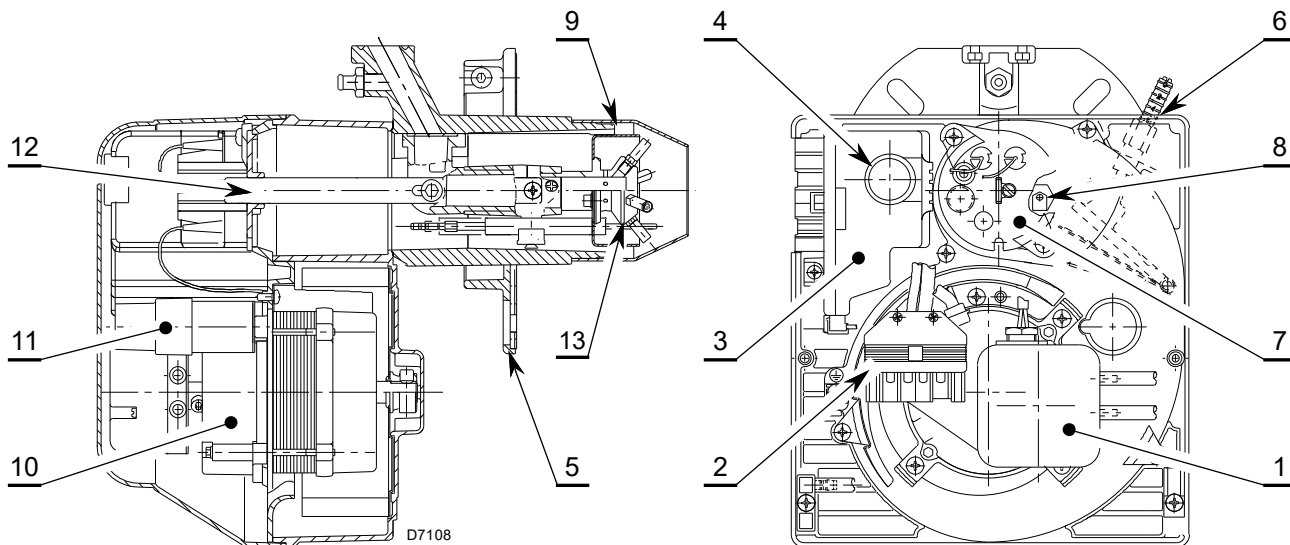


Fig. 6

- | | |
|--|--------------------------------------|
| 1 Presostato aire | 7 Grupo porta-cabezal |
| 2 Conector hembra de 6 contactos para rampa de gas | 8 Toma de presión |
| 3 Caja de control con conector hembra de 7 contac. incorporado | 9 Cabezal de combustión |
| 4 Pulsador de desbloqueo con señalización de bloqueo | 10 Motor |
| 5 Bridas con junta aislante | 11 Condensador |
| 6 Grupo de regulación registro de aire | 12 Soporte de regulación del cabezal |
| | 13 Difusor del gas |

4.11 Material suministrado en dotación

Brida con junta aislante	Nº 1
Tornillos y tuercas para brida de fijación a la caldera	Nº 4
Tornillo y tuerca para brida	Nº 1
Conexión desbloqueo a distancia	Nº 1
Conector macho de 7 contactos	Nº 1
Lista de recambios	Nº 1
Instrucciones	Nº 1

Kit de desbloqueo a distancia

El quemador está dotado de un kit de desbloqueo a distancia (RS) compuesto de una conexión a la que se puede conectar un pulsador hasta una distancia máxima de 20 metros.

Para la instalación, quitar la clavija de protección montada en fábrica y colocar la que se entrega con el quemador (véase esquema eléctrico).

4.12 Caja de control eléctrica

La caja de control es un sistema de control y supervisión de quemadores de aire soplado, para el funcionamiento intermitente (al menos un apagado controlado cada 24 horas).

Notas importantes



ATENCIÓN

¡Para evitar lesiones a las personas, daños a la propiedad o medio ambiente, respetar las siguientes notas importantes!

¡La caja de control es un dispositivo de seguridad!
¡No abrir, forzar o modificar la unidad! ¡El Fabricante no asume ninguna responsabilidad por posibles daños debidos a intervenciones no autorizadas!

- Todas las actividades (montaje, instalación y asistencia, etc.) deben ser realizadas por personal cualificado.
- Antes de modificar el cableado en la zona de conexión de la caja de control, aislar completamente la instalación de alimentación de red (separación omnipolar).
- Un correcto montaje garantiza la protección contra los riesgos de choque eléctrico en la caja de control y en todos los componentes eléctricos conectados a la misma.
- Antes de realizar cualquier intervención (montaje, instalación y asistencia, etc.), controlar que el cableado esté en orden y que los parámetros hayan sido configurados correctamente, luego efectuar los controles de seguridad.
- Las caídas y los choques pueden perjudicar las funciones de seguridad. En ese caso, no poner en funcionamiento la caja de control, incluso si no presenta daños evidentes.

Para la seguridad y fiabilidad atenerse también a las siguientes instrucciones:

- evitar condiciones que puedan favorecer la formación de condensación y de humedad. En caso contrario, antes de volver a encender, controlar que la caja de control esté completa y perfectamente seca.
- Evitar la acumulación de cargas electrostáticas que, al contacto, pueden dañar los componentes electrónicos de la caja de control.

Notas de instalación

- Asegurarse de que las conexiones eléctricas dentro de la caldera cumplan con las normas de seguridad locales y nacionales.
- Instalar interruptores, fusibles, puesta a tierra, etc., en conformidad con las normativas locales.
- No confundir los conductores en tensión y los neutros.
- Asegurarse de que los cables empalmados no entren en contacto con los bornes contiguos. Utilizar terminales adecuados.
- Colocar los cables de encendido de alta tensión a la mayor distancia posible de la caja de control y de los otros cables.
- Al cablear la unidad, asegurarse de que los cables de tensión de suministro de red de AC 230 V tengan un recorrido estrictamente separado del de los cables de muy baja tensión para garantizar la protección contra el peligro de choque eléctrico.

Para extraer la caja de control del quemador es necesario (Fig. 7):

- desconectar todos los conectores de la caja, los conectores macho, los cables de alta tensión y el cable de tierra (TB);
- desenroscar el tornillo (A) y tirar de la caja de control en el sentido de la flecha.

Para la instalación de la caja de control es necesario:

- enroscar el tornillo **A** con un par de torsión de $1 \pm 1,2$ Nm;
- volver a conectar todos los conectores anteriormente desconectados, asegurándose de conectar el conector macho de 7 contactos de la alimentación al finalizar la operación.

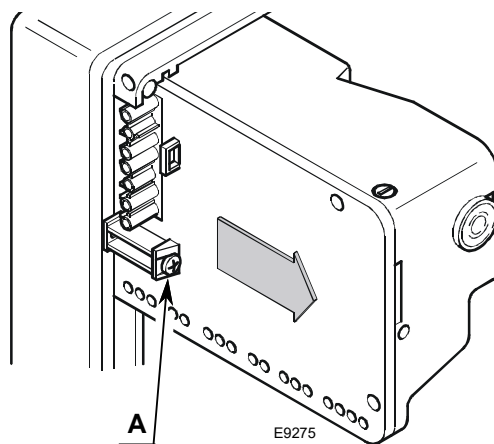


Fig. 7

NOTA:

Los quemadores han sido homologados para un funcionamiento intermitente. Lo que significa que deben detenerse por lo menos 1 vez cada 24 horas para permitir que la caja de control verifique su propia eficiencia en el arranque. Normalmente, la parada del quemador es garantizada por el termostato límite (TL) de la caldera. Si no fuera así, hay que aplicar en serie al termostato límite (TL) un interruptor horario que efectúe la parada del quemador al menos una vez cada 24 horas.

Conexión eléctrica de la sonda ionización

Es importante que la transmisión de las señales esté libre de interferencias y no registre pérdidas:

- separar siempre los cables de la sonda de los otros cables:
 - la capacidad de línea reduce la amplitud de la señal de llama;
 - usar un cable separado.
- La longitud del cable no debe superar 1 m.
- Respetar la polaridad
- Resistencia de aislamiento
 - debe ser como mínimo de 50 MΩ entre la sonda de ionización y la conexión de tierra;
 - el detector sucio reduce la resistencia de aislamiento facilitando corrientes de dispersión.
- La sonda de ionización no tiene protección contra los riesgos de choque eléctrico. La sonda de ionización conectada a la red eléctrica debe contar con protección contra el contacto accidental.
- Ubicar la sonda de ionización de manera que la chispa de la bujía no pueda formar un arco en la sonda (riesgo de sobrecargas eléctricas).

Datos técnicos

Tensión de red	AC 210...230 V -15 % / +10 %
Frecuencia de red	50/60 Hz ±5 %
Fusible integrado	T4A 250V
Consumo de energía	40 VA
Grado de protección	IP00

Tab. G

5 Instalación

5.1 Notas sobre la seguridad para la instalación

Después de realizar una cuidadosa limpieza en toda el área de la instalación del quemador y de proveer una correcta iluminación del ambiente, proceder con las operaciones de instalación.



PELIGRO

Todas las operaciones de instalación, mantenimiento y desmontaje deben ser realizadas en su totalidad con la red eléctrica desconectada.



ATENCIÓN



PELIGRO

El quemador debe ser instalado por personal habilitado según todo lo indicado en el presente manual y en conformidad con las normas y disposiciones de ley vigentes.

El aire comburente presente en la caldera debe estar libre de mezclas peligrosas (ej: cloruro, fluoruro, halógeno); si las hay, se recomienda efectuar aún más frecuentemente la limpieza y el mantenimiento.

5.2 Advertencias para evitar que el quemador se recaliente excesivamente o la mala combustión

- 1 No instalar el quemador en el exterior visto que sólo es apto para funcionar en locales cerrados.
- 2 El local donde funciona el quemador debe tener aberturas adecuadas para garantizar el paso del aire necesario para la combustión. Para asegurarse de esto, controle el CO₂ y CO en los gases de combustión con las puertas y ventanas del local del quemador cerradas.
- 3 Si en el local donde funciona el quemador hay aspiradores de aire, controlar que las aberturas para la entrada de aire sean suficientes para garantizar la renovación deseada; de todas maneras, controlar que al apagarse el quemador los aspiradores no aspiren humos calientes de los conductos a través del quemador.
- 4 Cuando el quemador se detiene, la chimenea debe quedar abierta y activar en la cámara de combustión un tiraje natural. Si la chimenea se cierra, el quemador se debe retroceder hasta extraer el tubo llama del hogar. Antes de esta operación, corte la tensión.

5.3 Traslado

El peso de transporte se indica en el capítulo "Datos técnicos" en la pág. 8.

Respetar las temperaturas ambiente permitidas para el almacenamiento y el transporte: -20... + 70 °C, con humedad aire relativa máx. 80%.



Después de colocar el quemador cerca de la instalación, eliminar correctamente todos los residuos del embalaje diferenciando los diferentes tipos de materiales.



PRECAUCIÓN

Antes de proceder con operaciones de instalación, realizar una cuidadosa limpieza en toda el área destinada a la instalación del quemador.



El operador debe utilizar las herramientas necesarias para realizar las actividades de instalación.

5.4 Controles preliminares

Control suministro



Después de haber quitado todos los embalajes, asegurarse de la integridad del contenido.

En caso de dudas no utilizar el quemador y dirigirse al proveedor.



Los elementos del embalaje (caja de cartón, grapas, bolsas de plástico, etc.) no deben dejarse abandonados porque son potenciales fuentes de peligro y de contaminación, sino que se deben recoger y depositar en un lugar preparado para ese fin.



La figura de la etiqueta (Fig. 8) es indicativa.

Algunos de los datos presentes podrían estar ubicados en una posición diferente.

R.B.L.	A			TIPO TYP TYPE	B	B	C
I12ELL 3B/P DE	D			E	F		
I12H3B/P AT,CH,IS	I12H3 GB,IE,IT N2L3B/P LU	GAS GAZ	<input checked="" type="checkbox"/> FAM.2 <input type="checkbox"/> FAM.3		G		
I2E(P)B,I3 BE I12L3B/P NL I12Er3P FR	Icc A I _{max} A	PESO kg	RIELLO S.p.A. I-37048 Legnago (VR)		CE		

20098188

Fig. 8

Control características del quemador

Controlar la etiqueta de identificación del quemador (Fig. 8), en la cual se indica:

- A el modelo del quemador;
- B el tipo de quemador;
- C el año de fabricación encriptado;
- D el número de matrícula;
- E los datos de alimentación eléctrica y el grado de protección;
- F la potencia eléctrica absorbida;
- G los datos de potencia mínima y máxima posibles del quemador (ver Campo de trabajo).

Atención. La potencia del quemador debe estar comprendida dentro del campo de trabajo de la caldera.



La alteración, eliminación, la ausencia de la etiqueta de identificación del quemador y todo cuanto no permita la correcta identificación del quemador y dificulte los trabajos de instalación y mantenimiento.

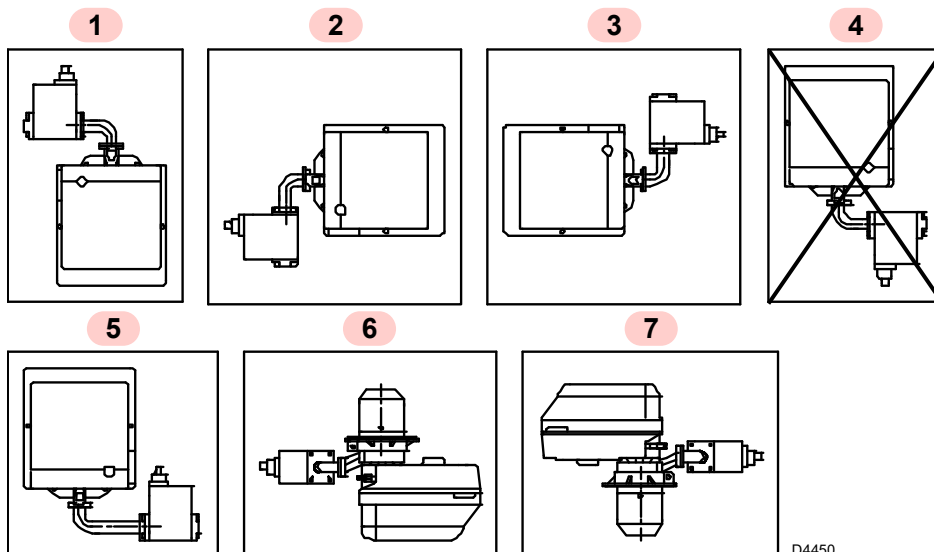
5.5 Posición de funcionamiento



- El quemador está preparado exclusivamente para el funcionamiento en las posiciones **1, 2, 3, 5, 6 y 7**(Fig. 9).
- Es conveniente escoger la instalación **1** puesto que es la única que permite el mantenimiento tal como descrito a continuación en este manual.
- La instalación que se muestra en la posición **5** es posible solamente mediante el "Kit de rotación MULTIBLOC", que se pide por separado.



- Cualquier otro posicionamiento debe considerarse comprometedor para el funcionamiento correcto del aparato.
- La instalación **4** está prohibida por motivos de seguridad.



D4450

Fig. 9

5.6 Fijación del quemador a la caldera



Prepare un sistema de elevación adecuado del quemador.



El acoplamiento del quemador con la caldera debe ser hermético.

Para instalar el quemador en la caldera es necesario efectuar las siguientes operaciones:

- Ensanche, si fuese necesario, los orificios de la junta aislante 5)(Fig. 10), procurando no dañarla.

El quemador puede fijarse con la cota (A) variable, como se muestra en la Fig. 11.

Modelo	A (mm)
BS1	116 ÷ 70
BS2	114 ÷ 100
BS2 TL	184 ÷ 170
BS3	128 ÷ 110
BS4	167,5 ÷ 145
BS4 TL	325 ÷ 302

Tab. H

- Fije la brida 5) en la puerta de caldera 1)(Fig. 12) interponiendo la junta aislante 3) con los cuatro tornillos 4) y (si es necesario) las tuercas 2) sin apretar uno de los dos tornillos superiores 4).
- Introduzca el cabezal de combustión del quemador en la brida 5), apriete la brida con el tornillo 6), después apriete el tornillo 4) que estaba flojo.



Asegurarse que el cabezal de combustión sobrepase el espesor de la puerta de la caldera.

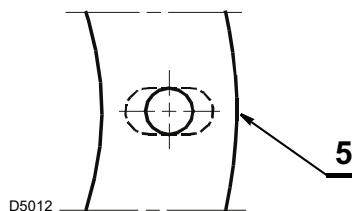


Fig. 10

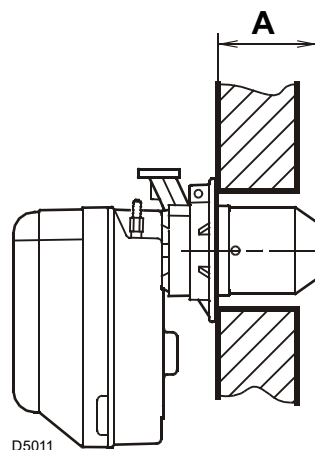


Fig. 11

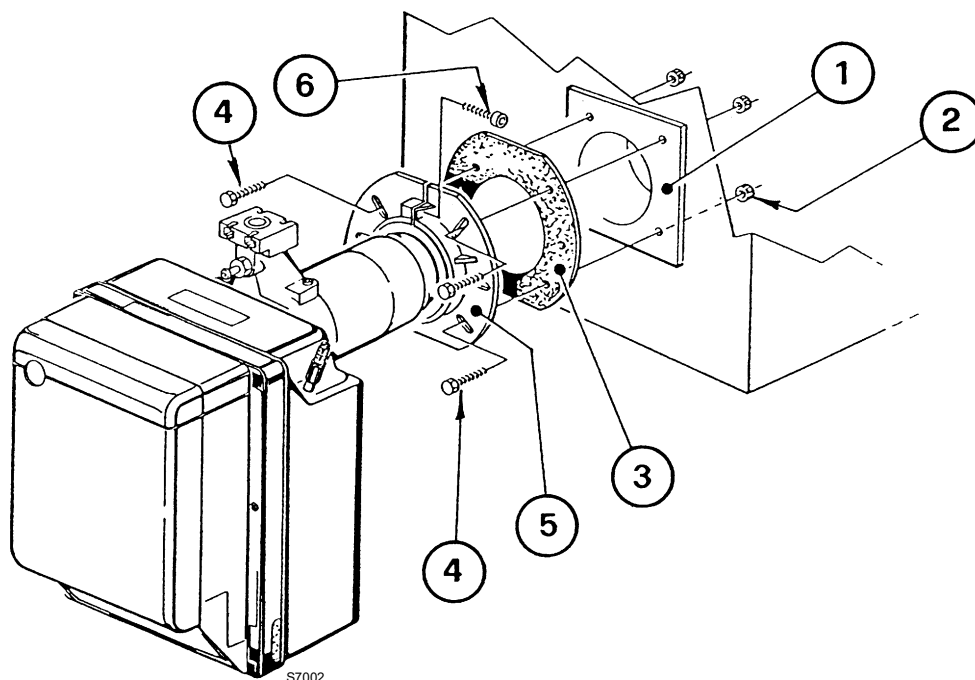


Fig. 12

5.7 Regulación cabezal de combustión

El cabezal de combustión es ajustado en fábrica para la potencia mínima.

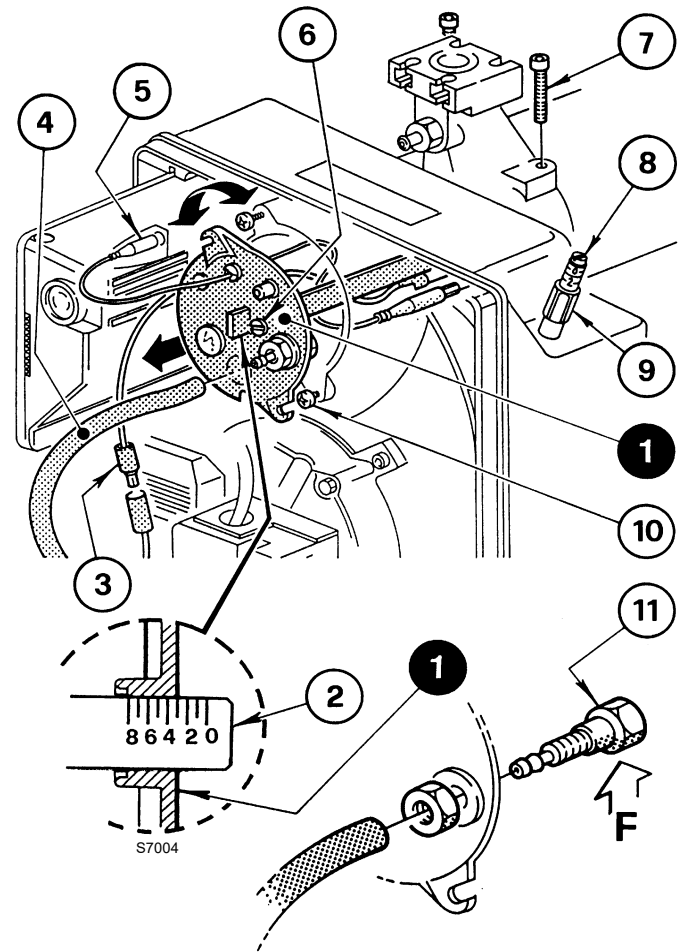
La regulación del cabezal de combustión cambia en base al caudal del quemador.

Se realiza girando en el sentido de las agujas del reloj o en sentido contrario el tornillo de regulación 6)(Fig. 13), hasta que la muesca hecha en la brida de regulación 2) coincida con el plano externo del grupo cabezal 1).

En la Fig. 13, la brida de regulación del cabezal está regulada en la muesca 3.

Ejemplo para quemador BS3

El diagrama presentado (Fig. 14) es a modo de orientación e indica la regulación del cabezal de combustión en función de la potencia quemada. Para garantizar las mejores prestaciones del quemador, se aconseja efectuar esta regulación en función de las exigencias requeridas por el tipo de la caldera. El quemador está instalado en una caldera de 100 kW. Considerando un rendimiento del 90%, el quemador deberá suministrar alrededor de 110 kW; para esto rendimiento, la regulación debe efectuarse en la muesca 3.



5.7.1 Extracción del grupo cabezal

Para extraer el grupo cabezal (Fig. 13) es necesario:

- desconectar las conexiones 3) y 5);
- desconectar el tubo 4) e aflojar los tornillos 10);
- desenroscar y quitar los tornillos 7), extraer el conjunto porta-cabezal 1) girándolo ligeramente hacia la derecha.



Se aconseja no alterar la posición de regulación brida-codo 2) durante el desmontaje.

Fig. 13

5.7.2 Montaje del grupo cabezal

Volver a montar siguiendo el mismo procedimiento antes descrito en el orden inverso, colocando el grupo cabezal 1)(Fig. 13) en su posición original.



Enroscar los tornillos 7)(Fig. 13) sin apretarlos hasta que hagan tope. Después apretarlos con el par de torsión de 3 - 4 Nm.



Controlar que durante el funcionamiento no se produzcan pérdidas de gas por los alojamientos de los tornillos.

Si la toma de presión del aire 11)(Fig. 13) se aflojase accidentalmente, reapretarla asegurándose que el orificio (F) (Fig. 13) situado en la parte interna del grupo cabezal 1)(Fig. 13) esté orientado hacia abajo.

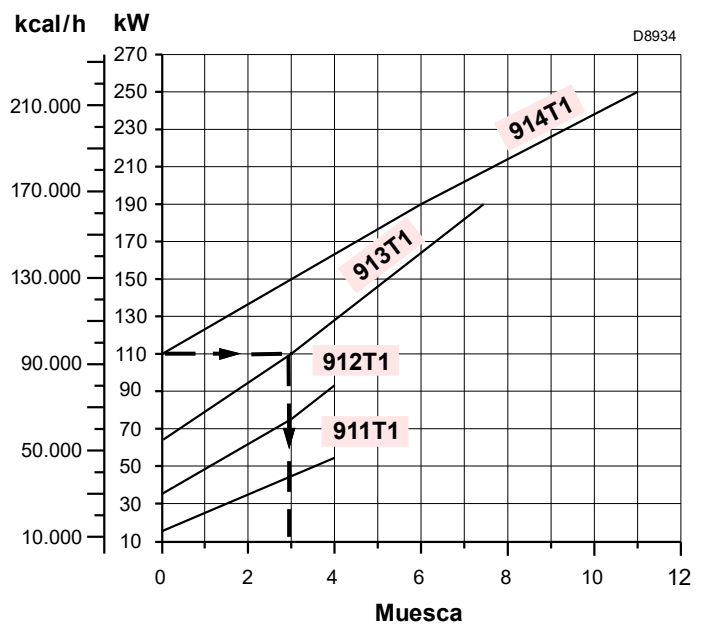


Fig. 14

5.8 Posicionamiento sonda-electrodo

- Asegurarse de que la plaquita 3)(Fig. 15) quede siempre colocada en la parte plana del electrodo 1).
- Apoyar el aislador de la sonda 4) en el difusor de aire 2).



ATENCIÓN

Respetar las cuotas indicadas en Tab. I.

Modelo	A (mm)
BS1	17
BS2	30
BS3	31
BS4	31

Tab. I

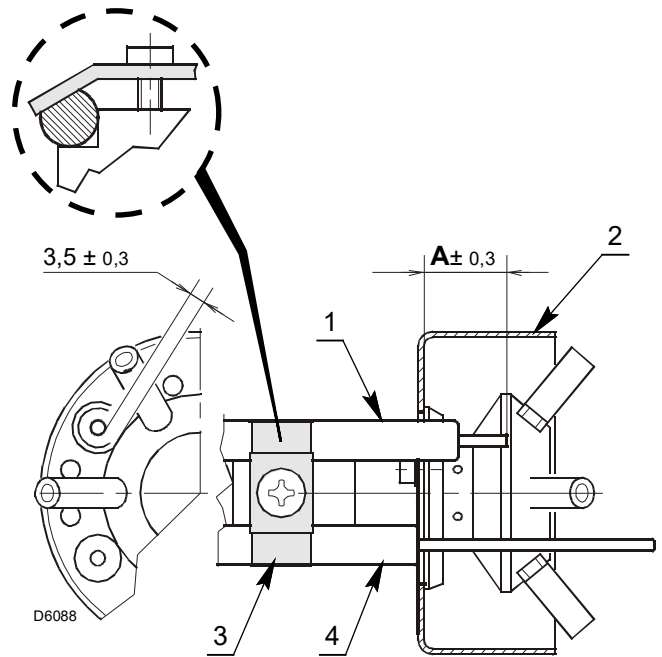


Fig. 15

5.9 Alimentación gas



Riesgo de explosión a causa de derrame de combustible en presencia de fuentes inflamables.

Precauciones: evitar golpes, roces, chispas, calor.

Verificar el cierre del grifo de interceptación del combustible, antes de efectuar cualquier tipo de intervención en el quemador.



ATENCIÓN

La instalación de la línea de alimentación del combustible debe ser efectuada por personal habilitado, de acuerdo con las normas y las disposiciones de ley vigentes.

5.9.1 Línea alimentación gas

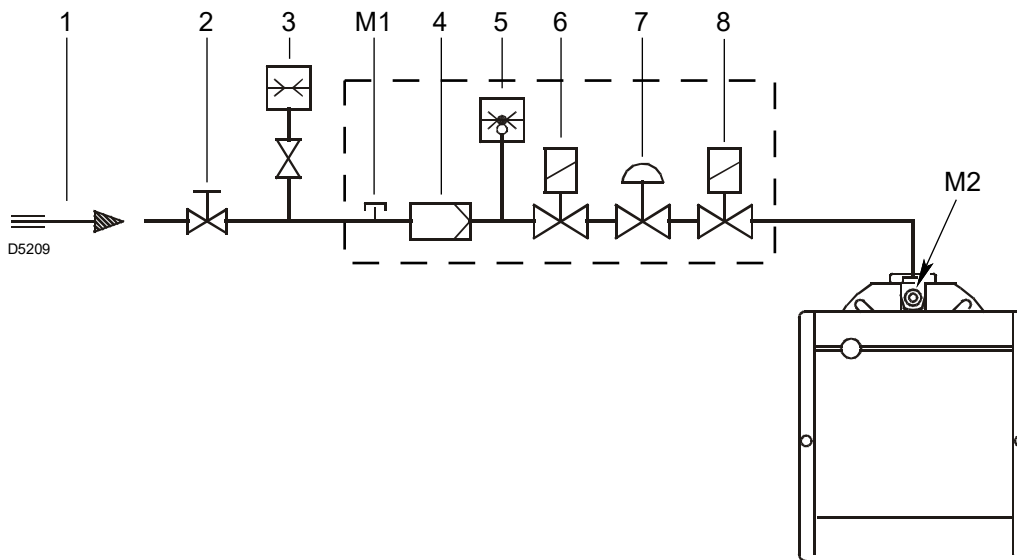


Fig. 16

Leyenda (Fig. 16)

- 1 Conducto entrada gas
- 2 Válvula de compuerta manual (a cargo del instalador)
- 3 Manómetro presión gas (a cargo del instalador)
- 4 Filtro
- 5 Presostato gas
- 6 Válvula de seguridad
- 7 Estabilizador de presión
- 8 Válvula de regulación
- M1 Toma para medir la presión de alimentación
- M2 Toma para medir la presión en el cabezal

5.9.2 Alimentación eléctrica de la rampa

La entrada de los cables de alimentación de la rampa de gas puede estar a la derecha o a la izquierda del quemador (Fig. 17). Según la posición de entrada, se deberán invertir el sujetador de cable con toma de presión 1) y el sujetador de cable 2).

Por tanto, hay que verificar:

- el posicionamiento correcto del sujetador de cable 1);
- el posicionamiento correcto del tubo para evitar estrangulaciones e impedir que el aire pase al presostato.

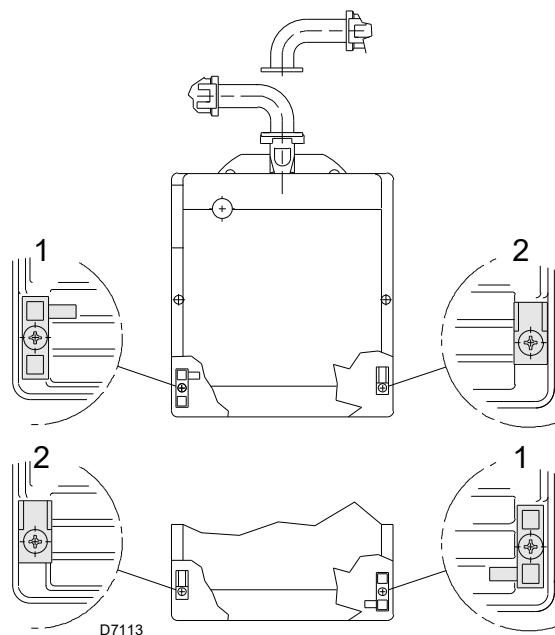


Fig. 17



ATENCIÓN

De ser oportuno, corte el tubo según la medida deseada.

5.9.3 Rampa de gas

Está homologada según norma EN 676 y se suministra separadamente del quemador. Para su regulación ver las instrucciones que la acompañan.



PELIGRO

Cortar la alimentación eléctrica mediante el interruptor general de la instalación.



Controlar la ausencia de pérdidas de gas.



Trasladar la rampa de gas con mucho cuidado: peligro de aplastamiento de las extremidades.



Asegurarse de la instalación correcta de la rampa de gas, verificando que no haya pérdidas de combustible.



El operador debe utilizar las herramientas necesarias para realizar las actividades de instalación.

5.9.4 Presión gas

La Tab. J indica las pérdidas de carga del cabezal de combustión y de la válvula de mariposa del gas, en función de la potencia de funcionamiento del quemador.

Los valores indicados en la Tab. J se refieren a:

- Gas natural G 20 PCI 9,45 kWh/Sm³ (8,2 Mcal/Sm³)
- Gas natural G 25 PCI 8,13 kWh/Sm³ (7,0 Mcal/Sm³)

Columna 1

Pérdida de carga cabezal de combustión.

Presión del gas medida en la toma M2) (Fig. 16), con:

- Cámara de combustión a 0 mbar
- Quemador funcionando a la potencia máxima

Para conocer la potencia aproximada a la que está funcionando el quemador:

- sustraer de la presión del gas en la toma M2) (Fig. 16) la presión cámara de combustión.
- Hallar en la Tab. J relativa al quemador que se considere, el valor de presión más cercano al resultado obtenido en la resta.
- Leer a la izquierda la potencia correspondiente.

Ejemplo con gas natural G 20 para BS2:

Funcionamiento con la máxima potencia

$$\begin{aligned} \text{Presión del gas en la toma (M2)} &= 10 \text{ mbar} \\ \text{Presión cámara de combustión} &= 2,2 \text{ mbar} \\ 10 - 2,2 &= 7,8 \text{ mbar} \end{aligned}$$

A la presión de 7,8 mbar, columna 1, corresponde en la Tab. J una potencia de 91 kW.

Este valor sirve como primera aproximación; el real se determinará a través del contador.



ATENCIÓN

Los datos de potencia térmica y presión del gas en el cabezal corresponden al funcionamiento con válvula de mariposa de gas completamente abierta (90°).

	kW	Δp (mbar)		
		G 20	G 25	G 31
BS1	19	0,6	0,84	2,4
	23	0,9	1,26	2,9
	26	1,1	1,54	3,6
	30	1,5	2,1	4,9
	34	2,1	2,94	6,4
	37	2,6	3,64	7,6
	41	3,3	4,62	9,2
	45	4,3	6,02	10,8
	48	2,2	7,28	11,8
	52	6,5	9,1	13
BS2	49	2,8	3,92	3,8
	54	3,2	4,48	4,8
	58	3,6	5,01	5,5
	63	4,1	5,74	6,3
	68	4,7	6,58	7
	72	5,1	7,14	7,5
	77	5,8	8,12	8,2
	82	6,5	9,1	9
	86	7,0	9,8	9,8
	91	7,8	10,92	11
BS3	79	2,0	2,8	3,8
	92	2,6	3,64	4,6
	105	3,3	4,62	5,6
	118	4,2	5,88	6,6
	131	5,1	7,14	7,7
	143	6,1	8,54	8,7
	156	7,3	10,22	9,9
	169	8,7	12,18	11,1
	182	10,2	14,28	12,3
	195	11,9	16,66	13,5
BS4	140	4,1	5,74	3,5
	152	4,6	6,44	3,9
	164	5,2	7,28	4,3
	177	5,9	8,26	4,6
	189	6,6	9,24	4,9
	201	7,3	10,22	5,3
	213	8,1	11,34	5,8
	226	9,0	12,6	6,6
	238	9,8	13,72	7,6
	250	10,8	15,12	9

Tab. J

Para conocer la presión del gas necesario en la toma M2) (Fig. 16), fijada la potencia máxima de modulación a la cual se desea que funcione el quemador:

- buscar en la Tab. J del quemador considerado, el valor de potencia más cercano al valor deseado.
- Leer a la derecha, columna 1, la presión en la toma M2) (Fig. 16).
- Sumar a este valor la sobrepresión estimada de la presión cámara de combustión.

Ejemplo con gas natural G 20 para BS2:

Funcionamiento con la máxima potencia deseada: 91 kW

$$\begin{aligned} \text{Presión del gas a la potencia de 91 kW} &= 7,8 \text{ mbar} \\ \text{Presión cámara de combustión} &= 2,2 \text{ mbar} \\ 7,8 + 2,2 &= 10 \text{ mbar} \end{aligned}$$

presión necesaria en la toma M2) (Fig. 16).

5.10 Conexiones eléctricas

Notas sobre la seguridad para las conexiones eléctricas



PELIGRO

- Las conexiones eléctricas se deben llevar a cabo con la alimentación eléctrica desconectada.
- Las conexiones eléctricas se deben realizar según las normas vigentes en el país de destino y por parte de personal cualificado. Consultar los cableados eléctricos.
- El fabricante declina toda responsabilidad por modificaciones o conexiones diferentes de las que figuran en los cableados eléctricos.
- No invertir Neutro con Fase en la línea de alimentación eléctrica.
- Controlar que la alimentación eléctrica del quemador corresponda a la que figura en la etiqueta de identificación y en el presente manual.
- El quemador ha sido homologado para el funcionamiento intermitente. En caso de funcionamiento continuo se debe detener el ciclo dentro de las 24 horas, utilizando un interruptor horario instalado en serie con la línea termostática. Consultar los cableados eléctricos.
- El aparato será seguro cuando esté conectado correctamente a un sistema de puesta a tierra eficiente, según las normas actuales. Es necesario controlar este requisito de seguridad esencial. En caso de dudas, pida que personal calificado controle la instalación eléctrica. No utilizar tubos de gas como instalación de puesta a tierra de aparatos eléctricos.
- La instalación eléctrica debe adecuarse a la potencia máxima absorbida por el aparato, indicada en la placa y en el manual, asegurando especialmente que la sección de los cables sea adecuada a la potencia absorbida por el aparato.
- Para la red de alimentación general del aparato:
 - no usar adaptadores, tomas múltiples, alargadores;
 - prever un interruptor omnipolar con apertura entre los contactos de al menos 3 mm (categoría de sobretensión III), como lo prevén las normativas de seguridad vigentes.
- No toque el aparato con partes del cuerpo húmedas o mojadas ni con los pies descalzos.
- No tire de los cables eléctricos.
- Comprobar que los conectores hayan sido conectados correctamente según los símbolos indicados en el fondo del equipo de control de llama: cerciorarse de que los conectores estén insertados a tope empujándolos hasta el fondo, cada uno en su propio alojamiento. Los cables de conexión de todos los conectores deben estar dirigidos hacia el interior del quemador (ver Fig. 19).

Antes de realizar cualquier operación de mantenimiento, limpieza o control:



PELIGRO

Cortar la alimentación eléctrica del quemador con el interruptor general de la instalación.



PELIGRO

Cerrar el grifo de interceptación del combustible.

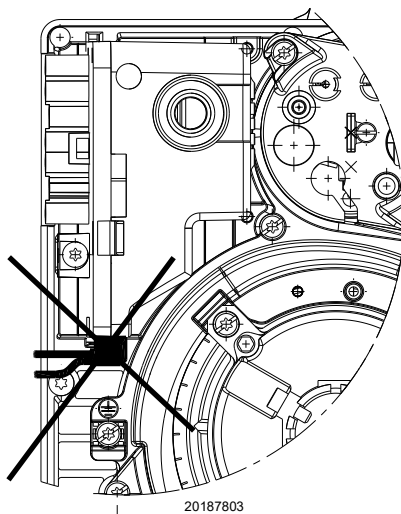


PELIGRO

¡No se admite condensación, formación de hielo y entrada de agua!

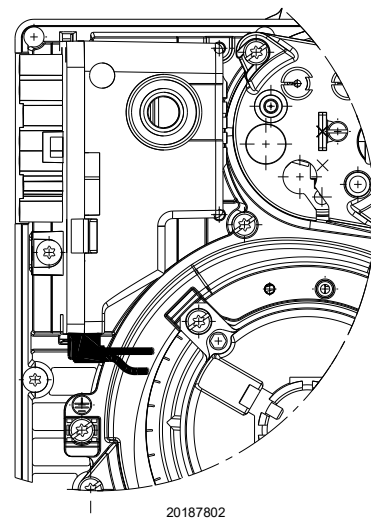


Realizar todas las operaciones de mantenimiento, limpieza o control, volver a montar la tapa y todos los dispositivos de seguridad y protección del quemador.



20187803

Fig. 18



20187802

Fig. 19



ATENCIÓN

¡Introducir los conectores con los cables dirigidos hacia el exterior del quemador puede dañar el equipo de control de llama!



ATENCIÓN

Introducir los conectores con los cables dirigidos hacia el interior del quemador.

5.10.1 Esquema eléctrico realizado en fábrica

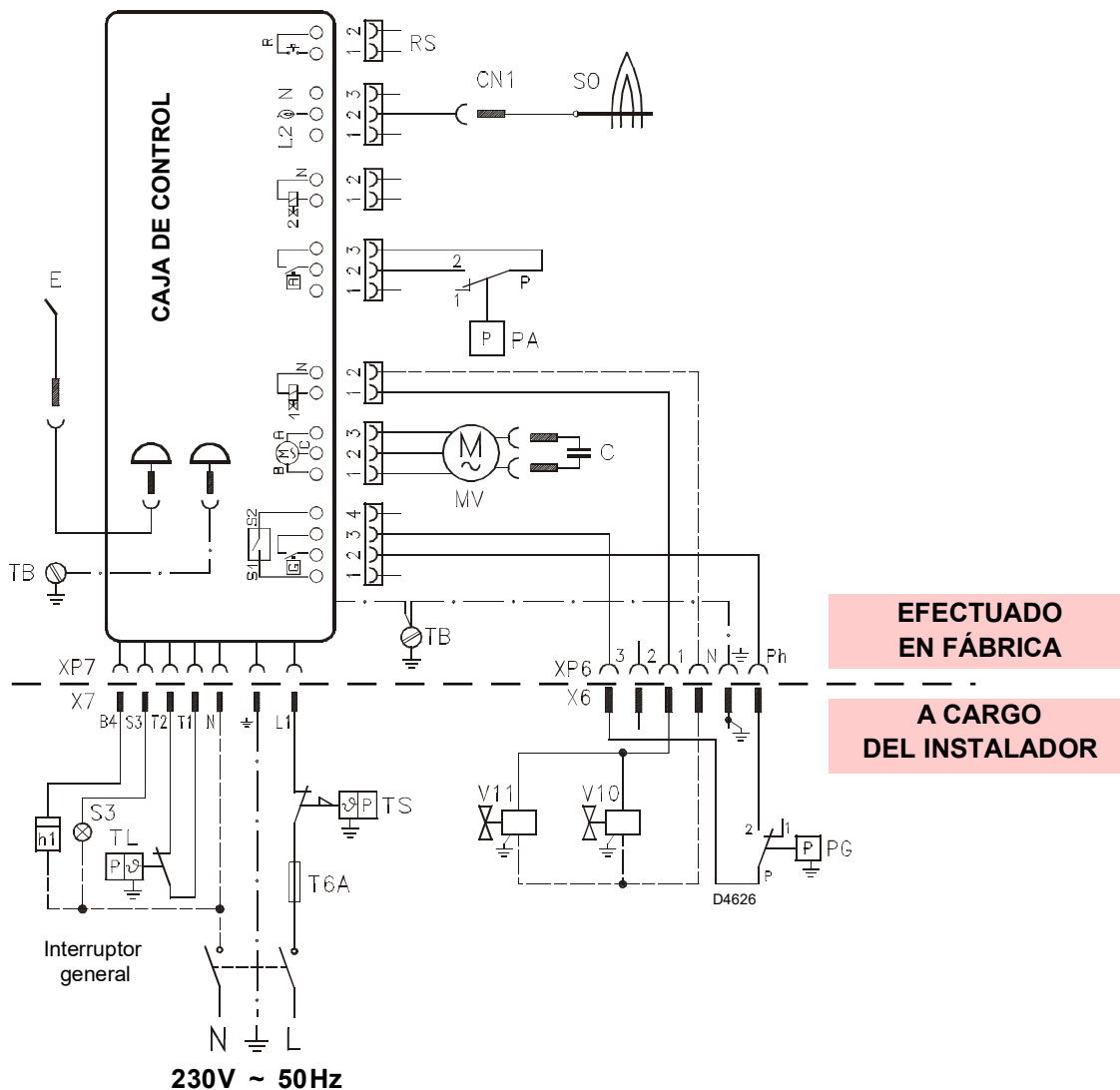


Fig. 20

Leyenda

- C Condensador
- CN1 Conector sonda
- E Electrodo
- h.. Cuentahoras
- MV Motor
- PA Presostato aire mínimo.
- PG Presostato gas mínimo.
- RS Reinicio a distancia
- SO Sonda ionización
- S3 Indicador luminoso bloqueo (230V - 0,5 A máx)
- T6A Fusible
- TB Tierra del quemador
- TL Termostato de solicitud calor
- TS Termostato de seguridad
- V10 Válvula de seguridad
- V11 Válvula 1º llama
- X.. Conector macho
- XP.. Toma



- No invertir Neutro con Fase en la línea de alimentación eléctrica.
- Controlar que la alimentación eléctrica del quemador corresponda con la indicada en la placa de identificación y en este manual.
- La sección de los conductores debe ser de 1 mm² mín. (Salvo indicaciones diferentes de normas y leyes locales).



Compruebe la parada del quemador abriendo los termostatos y el bloqueo abriendo el conector (CN1) (Fig. 20) colocado en el cable rojo de la sonda, situado en el exterior de la caja de control.



Si aún está presente el capó, retirarlo y proceder con el cableado eléctrico según lo indicado en los esquemas eléctricos.

Utilizar cables flexibles según la norma EN 60 335-1.

5.11 Programa de funcionamiento

Funcionamiento normal

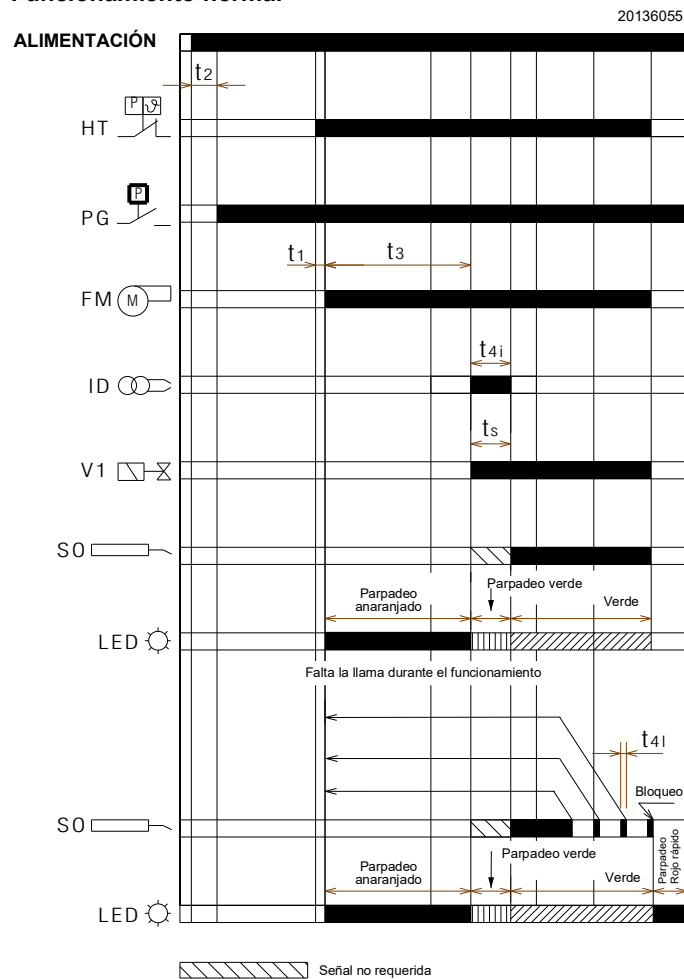


Fig. 21

Bloqueo debido a falta de encendido

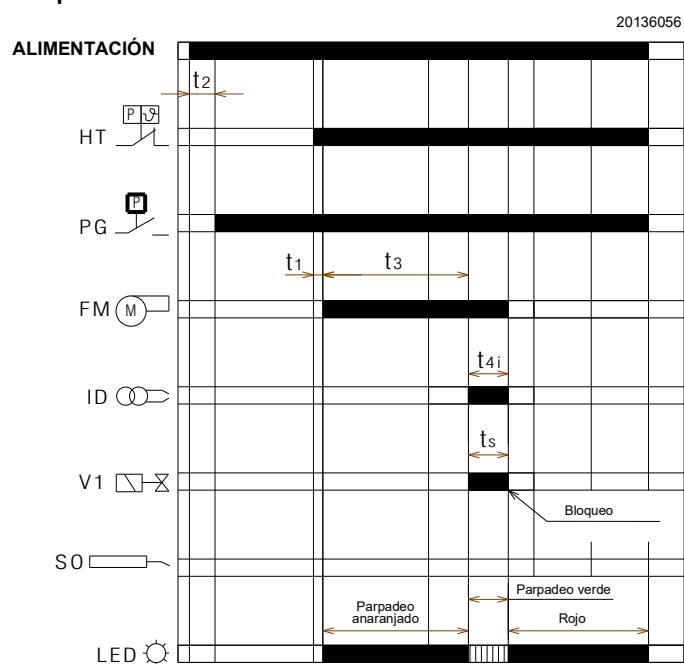


Fig. 22

Bloqueo debido a luz extraña durante la pre-ventilación

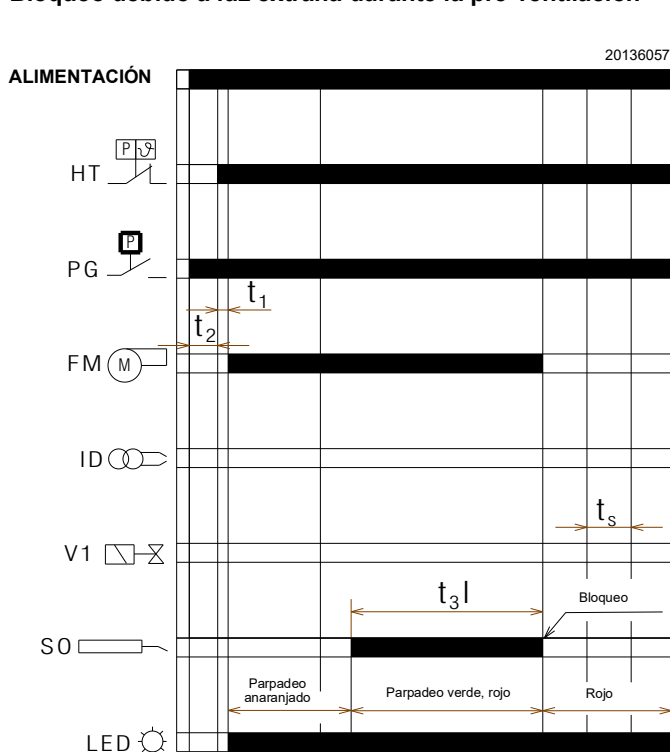


Fig. 23

Leyenda

- FM – Motor ventilador
- HT – Solicitud de calor
- ID – Dispositivo de encendido
- LED – Color del LED del pulsador
- PG – Presostato gas de mínima
- SO – Sonda ionización
- t1 – Tiempo de espera
- t2 – Tiempo de control de la inicialización
- t3 – Tiempo de pre-ventilación
- t3l – Controles por luz extraña durante la pre-ventilación
- t4i – Tiempo total de encendido
- t4l – Tiempo de reacción para ejecutar el bloqueo de seguridad debido a que no hay llama
- t5 – Tiempo de retraso entre 1ª y 2ª etapa
- ts – Tiempo de seguridad
- V1 – Válvula gas

5.12 Tabla de los tiempos

Símbolo	Descripción	Valor (seg)
t0	En modo espera: el quemador espera la solicitud de calor, el cerrado presostato gas, la abertura el presostato aire	-
t1	Tiempo de espera para una señal de entrada: tiempo de reacción, la caja de control permanece en espera de solicitud por t1	2
t1l	Presencia de llama o simulación de llama antes de requerir calor: la caja de control permanece detenida.	25
t2	Tiempo de espera para la inicialización: intervalo de tiempo de control posterior al inicio de la alimentación principal	< 4,5
t2l	Verificaciones de la presencia de luz extraña o llama parásita durante t2: espera de solicitud para t2l, luego se bloquea: el motor no arranca	25
t2a	Controla si el si el presostato aire está ya conmutado en posición de trabajo antes de la solicitud de calor: la caja de control permanece en espera de solicitud, se produce un bloqueo si el presostato aire sigue conmutado durante t2a.	máx. 120
t3	Tiempo de pre-ventilación: el motor del ventilador está en funcionamiento, después se activa la válvula gas	40
t3l	Control de la presencia de luz extraña o llama parásita durante la fase de pre-ventilación: la caja de control se bloquea al expirar el tiempo t3l	1
t3a	Tiempo de control de la conmutación del presostato aire en posición de trabajo durante el tiempo de pre-ventilación: si el presostato no conmuta antes de t3a se produce un bloqueo.	máx. 15
t3r	Se efectúa un intento de reciclado si se produce una pérdida de presión aire durante la pre-ventilación: se produce un bloqueo en el caso de una segunda pérdida de presión aire entre el segundo 16 y el 29; si se produce una pérdida de presión entre el segundo 30 y el 40, la caja de control se bloquea inmediatamente.	-
ts	Tiempo de seguridad	3
t4i	Tiempo total de encendido de la descarga	3
t4a	Tiempo de control de la pérdida de presión aire durante el tiempo ts y el normal funcionamiento: la caja de control se bloquea inmediatamente.	< 1
t4l	Tiempo de reacción de desactivación válvula a causa de una pérdida de llama	< 1
-	Tiempo mínimo necesario para desbloquear la caja de control con el pulsador de desbloqueo	0,4
	Tiempo mínimo necesario para desbloquear la caja de control con el desbloqueo a distancia	0,8
tr	Reciclado: n° máx. 3 repeticiones de la secuencia completa de arranque en caso de pérdida de llama durante el funcionamiento; la acción final en el último intento luego de la falla en la llama es un bloqueo	3 reciclado

Tab. K

5.12.1 Indicación del estado de funcionamiento

Estado	Color del pulsador de desbloqueo	Segundos		Código color
Espera de la solicitud de calor, espera cerrado presostato gas, espera abertura el presostato aire	-	-	-	-
Espera solicitud de calor con ventilación continua	ANARANJADO Parpadeo	0,5	2,5	● ○ ● ○ ● ○ ● ○ ● ○
Pre-ventilación, espera de cierre del presostato aire o pre-ventilación larga	ANARANJADO Parpadeo	0,5	0,5	● ○ ● ○ ● ○ ● ○ ● ○
Tiempo de seguridad sin llama	VERDE Parpadeo	0,5	0,5	■ □ ■ □ ■ □ ■ □ ■ □
Tiempo de seguridad con llama	VERDE	-	-	■ ■ ■ ■ ■ ■ ■ ■ ■ ■ ■ ■
Posición de funcionamiento normal	VERDE	-	-	■ ■ ■ ■ ■ ■ ■ ■ ■ ■ ■ ■

Tab. L

Leyenda

ON	OFF	Código color
▲	△	ROJO
●	○	ANARANJADO
■	□	VERDE

Tab. M

5.12.2 Diagnóstico anomalías - bloqueos

Descripción del desperfecto	Color del pulsador de desbloqueo	Segundos		Código color
Luz extraña o presencia de señal de llama parásita	VERDE, ROJO parpadeo alternadamente	0,5	0,5	■▲■▲■▲■▲■▲
Anomalía causada por el presostato gas, luego de 2 minutos de la solicitud de calor	ANARANJADO parpadeo invertido	2,5	0,5	●○●○●○●○●○
Anomalía en la tensión de alimentación eléctrica	ANARANJADO parpadeo lento	2,5	2,5	●○●○●○●○●○
Anomalía en la frecuencia de la alimentación eléctrica	ANARANJADO	-	-	●●●●●●●●●●
Anomalía en la tensión interna del control de la llama	ANARANJADO, VERDE parpadeo rápido alternadamente	0,2	0,2	●■●■●■●■●■
Anomalía pulsador de desbloqueo o desbloqueo a distancia	VERDE, ROJO parpadeo rápido alternadamente	0,2	0,2	■▲■▲■▲■▲■▲
Bloqueo por falta de llama luego de Ts	ROJO	-	-	▲▲▲▲▲▲▲▲▲▲
Bloqueo por señal de luz extraña o de llama parásita	ROJO parpadeo	0,5	0,5	▲△▲△▲△▲△▲△
Bloqueo por número máximo de reciclados (pérdida de llama durante funcionamiento)	ROJO Parpadeo rápido	0,2	0,2	▲△▲△▲△▲△▲△
Bloqueo por pérdida de presión de aire o luego de la repetición de la pre-ventilación por la pérdida de aire, 10 seg. antes de la finalización de la pre-ventilación, durante el tiempo de seguridad o durante el funcionamiento normal.	ROJO Parpadeo	0,5	2,5	▲△▲△▲△▲△▲△
Bloqueo por avería en el motor ventilador	ROJO, ANARANJADO parpadeo invertido	2,5	0,5	▲●▲●▲●▲●▲●
Bloqueo por desperfecto en el circuito interno de mando de la válvula gas	ROJO, VERDE parpadeo invertido	2,5	0,5	▲■▲■▲■▲■▲■
Bloqueo por avería en la eeprom	ANARANJADO, VERDE parpadeo alternadamente	0,5	0,5	●■●■●■●■●■
Bloqueo por presostato aire no cerrado después de la solicitud de calor o después de un reciclado por pérdida de llama durante el funcionamiento	ROJO, VERDE parpadeo lento	2,5	2,5	▲■▲■▲■▲■▲■
Bloqueo por presostato aire ya conmutado al momento de cerrarse el termostato de solicitud de calor o después de un reciclado por pérdida de llama durante el funcionamiento	ROJO, ANARANJADO parpadeo lento	2,5	2,5	▲●▲●▲●▲●▲●
Bloqueo por número máximo de repeticiones del ciclo debido a la activación del presostato gas durante el funcionamiento con llama	ANARANJADO	2,5	0,5	●○●○●○●○●○

Tab. N

Leyenda

ON	OFF	Código color
▲	△	ROJO
●	○	ANARANJADO
■	□	VERDE

Tab. O

5.12.3 Control del presostato gas

Cuando el presostato gas está abierto el motor no es alimentado.

Si luego de una solicitud de calor el presostato gas se abre, el motor se detiene y:

- si el presostato de gas permanece abierto por un tiempo superior a 2 minutos, los leds de diagnóstico advierten una anomalía.
- si el presostato de gas permanece abierto por un tiempo inferior a 2 minutos, no se presenta la anomalía.
- cuando el presostato gas se cierra, el motor se pone en funcionamiento no obstante se haya abierto el presostato aire.
- al cerrarse el presostato gas, el motor se alimenta durante aprox. un segundo (para reconocer la señal), se apaga durante 2 segundos para luego reactivarse y comenzar el ciclo de funcionamiento.

Si el presostato gas se abre durante el funcionamiento normal con llama, el motor se detiene de inmediato, se cierran las válvulas de gas y se produce la repetición completa del ciclo de encendido. Pueden realizarse hasta 3 intentos; en la cuarta apertura del presostato gas, el quemador pasa al estado de bloqueo.

Con cada solicitud de calor, cada bloqueo, cada anomalía en la tensión de alimentación (véase apartado **“Pantalla de la tensión de alimentación”** en la pág. 27) y cada ensayo de apagado, se pone a cero el número de posibles intentos para abrir el presostato gas en el funcionamiento con llama.

Si el presostato gas se abre durante la post-ventilación o durante la ventilación continua (si han sido configuradas), el motor se detiene y permanece apagado durante todo el tiempo en que el presostato gas está abierto y los leds de diagnóstico señalan de inmediato la anomalía.

5.12.4 Control del presostato aire

Cuando el quemador recibe la solicitud de calor, el presostato aire es controlado y si está cerrado (pegado) el motor no arrancará y luego de 2 minutos pasa al estado de bloqueo. Si ante la solicitud de calor luego del arranque del motor, el presostato aire no se cierra dentro de los 15 s de la pre-ventilación, el quemador pasa al estado de bloqueo. Si se detecta una pérdida de presión aire luego de los primeros 15s de pre-ventilación, pero antes de los últimos 10s se produce un reciclado (el tiempo de pre-ventilación comienza desde el momento en que se cerró el presostato aire de modo estable). Si posteriormente a un reciclado por pérdida de presión aire, se presenta una nueva pérdida, el quemador pasa al estado de bloqueo inmediato por falta de aire. Si la pérdida del presostato aire se presenta en los últimos 10s del tiempo de pre-ventilación (antes del inicio del tiempo de seguridad) el quemador pasa al estado de bloqueo inmediato por falta de aire.

Si se presenta una pérdida del presostato aire después de la apertura de la válvula de la 1ª llama o durante el funcionamiento normal con llama, el quemador pasa al estado de bloqueo antes de 1s.

El estado del presostato aire no influye en el tiempo de post-ventilación.

Si se ha configurado la ventilación continua, el motor es alimentado igualmente aunque el presostato aire está pegado pero solo si no hay solicitud de calor o luego de 2 minutos si el bloqueo se ha presentado luego de la solicitud de calor.

5.12.5 Ensayo de apagado

Si durante el funcionamiento se aprieta el pulsador de desbloqueo o desbloqueo a distancia durante un tiempo superior a 5 segundos e inferior a 10 segundos, (para no ir al menú siguiente) el quemador se apaga, la válvula del gas se cierra, la llama se extingue y la secuencia de arranque vuelve a comenzar.

Si está habilitado el ensayo de apagado, se restablecen el número de repeticiones de la secuencia de arranque (véase apartado **“Reciclado y límite de repeticiones”** en la pág. 26) y el número de desbloques posibles (véase apartado **“Señalización externa de bloqueo (S3)”** en la pág. 27).

5.12.6 Funcionamiento intermitente

Después de 24 horas de funcionamiento continuo, la caja de control comienza la secuencia de apagado automático, le sigue una puesta en marcha, con el fin de comprobar un posible fallo del detector de llama. Es posible fijar dicho apagado automático a 1 hora (véase apartado **“Menú de programación”** en la pág. 30). Una modificación del parámetro de configuración del funcionamiento intermitente se ejecutará si:

- durante la solicitud de calor se habilita la función de ensayo de apagado;
- se presenta una pérdida de llama;
- se apaga y vuelve a activarse la solicitud de calor;
- se apaga y vuelve a activarse la caja de control;
- se reinicia la función intermitente automáticamente (1hora/24horas).

5.12.7 Reciclado y límite de repeticiones

La caja de control prevé la función de reciclado, es decir, la repetición completa de la secuencia de encendido, mediante la que se efectúan hasta 3 intentos en caso de apagado de la llama durante el funcionamiento. Si la llama falla 4 veces durante las operaciones, esto bloquea el quemador. Si durante el reciclado se produce una nueva solicitud de calor, al conmutar el termostato de solicitud calor, se restablecen los 3 intentos.

Al desconectar la alimentación, cuando se recibe una nueva solicitud de calor (alimentación aplicada al quemador) se reinician todos los posibles intentos de arranque (3 como máximo).

5.12.8 Presencia de luz extraña o llama parásita

La presencia de llama parásita o de luz extraña puede ser detectada en el estado de stand-by después de una solicitud de calor. Si se detecta una llama o una luz extraña incluso en el estado de "t2", el motor no arranca hasta que desaparezca la señal de llama o hasta que se produzca el bloqueo.

Si después de arrancar el motor ventilador, durante la pre-ventilación, se detecta una luz extraña o una llama parásita, el quemador pasa al estado de bloqueo antes de 1 segundo.

Si durante el reciclado por desaparición de la llama en funcionamiento y la consiguiente repetición de la secuencia de arranque, se detecta la presencia de la llama parásita o de la luz extraña antes del arranque del motor, comienza el conteo de 25 segundos de verificación (de la presencia de la llama parásita o de la luz extraña), de lo contrario se ajusta el bloqueo antes de 1 segundo.

La anomalía es indicada por el parpadeo del led (véase apartado **“Diagnóstico anomalías - bloqueos”** en la pág. 25).

Si al finalizar la solicitud de calor permanece la llama parásita, el quemador pasa al estado de bloqueo por llama parásita luego de 25s (independientemente si la post-ventilación o la ventilación continua están activas).

El control de la llama parásita está activo incluso en los estados de anomalía de la tensión de red, de la frecuencia, de la tensión interna, del estado con presostato gas abierto.

5.12.9 Duración de la descarga del transformador de encendido

El encendido está presente durante todo el tiempo de seguridad.



ATENCIÓN

En el caso de reciclados continuos o solicitudes de calor muy próximas, las repeticiones del ciclo de función del transformador de encendido no pueden ser superiores a un intento por minuto.

5.12.10 Desbloqueo del quemador con pulsador y desde remoto

El quemador se puede desbloquear presionando el pulsador de desbloqueo integrado en la caja de control durante al menos 0,4 segundos, y se desbloquea apenas de suelta el pulsador. El quemador también se puede desbloquear mediante un pulsador externo (desbloqueo a distancia) conectado a los terminales R (ver esquema eléctrico del conector RS) del quemador, presionando al menos durante 0,8 segundos.



ATENCIÓN

Si se presiona el pulsador de desbloqueo durante más de 5 segundos, la caja de control no se desbloquea.

5.12.11 Desbloqueo protección

El quemador puede desbloquearse solo 5 veces consecutivas. Después, es necesario desconectar la alimentación para tener otras 5 posibilidades de desbloqueo. El quemador sólo puede desbloquearse si se conecta la alimentación a la caja de control.

5.12.12 Pulsador de desbloqueo / Anomalía en desbloqueo a distancia

Si el pulsador de desbloqueo o el desbloqueo a distancia es defectuoso o permanece presionado durante más de 60 segundos, la anomalía es indicada por el parpadeo del led (véase apartado “**Diagnóstico anomalías - bloqueos**” en la pág. 25) mientras esté presente.

- Esta anomalía solo es una visualización; el led deja de parpadear cuando esta desaparece.
- Si se detecta una anomalía durante el proceso de pre-ventilación, tiempo de seguridad, el quemador no se detiene y continúa con la secuencia de arranque.
- Si la anomalía se detecta durante el funcionamiento, el quemador no se detiene.
- Si la anomalía se detecta durante la posición de bloqueo, la señalización de anomalía no se produce, y el quemador no puede ser desbloqueado.

5.12.13 Señalización externa de bloqueo (S3)

El quemador está dotado de la función de señalización externa de bloqueo, o sea, señalar (además del pulsador de desbloqueo integrado) una alarma de bloqueo del quemador. La caja de control permite el control de una luz externa mediante la salida S3 (230Vac-0,5Amp máx.).

5.12.14 Función cuentahoras (B4)

El quemador está dotado de la función cuentahoras de la duración de apertura de la válvula gas y del consumo de combustible. La caja de control permite el mando de un cuentahoras externo a través de la salida Hour-Counter (230Vac-0,1Amp máx) de la caja de control, conectada al pin B4 del conector hembra de 7 contactos de la conexión de alimentación de la caldera al quemador.

5.12.15 Pantalla de la tensión de alimentación

La caja de control detecta automáticamente la tensión de alimentación de red.

Si la tensión de alimentación es inferior aprox. a 170V o superior aprox. a 280V, el quemador se detiene, interrumpe el ciclo de funcionamiento y permanece detenido en stand-by, señalando una anomalía. La anomalía es indicada por el parpadeo del led (véase apartado “**Diagnóstico anomalías - bloqueos**” en la pág. 25). El quemador se enciende cuando la tensión supera aprox. 180V o si se posiciona por debajo de 270V.

- Si la anomalía se presenta durante el funcionamiento con llama, se cierra de inmediato la válvula y el motor se detiene.
- Si la anomalía se presenta durante la pre-ventilación, el motor se detiene.
- Si al cerrarse el interruptor general de alimentación o luego de una ausencia de alimentación, la tensión de red se mantiene en los valores intermedios (170÷180V o 270÷280V) el quemador no funciona.
- Si el quemador se encuentra en estado de bloqueo, la tensión de red es controlada pero no señalada, porque está activa la señalización de bloqueo y no puede desbloquearse.

Durante el tiempo de encendido del encendedor el monitor de la tensión de red se desactiva.

5.12.16 Anomalía en la frecuencia de la alimentación principal

La caja de control detecta automáticamente el valor de la frecuencia de la alimentación principal en el intervalo de 50÷60 Hz, en ambos casos se comprueban los tiempos de trabajo. La anomalía es indicada por el parpadeo del led (véase apartado “**Diagnóstico anomalías - bloqueos**” en la pág. 25).

- Si la anomalía está presente antes de la solicitud de calor o durante el pre-calentamiento, el quemador no se pone en marcha y la anomalía se señala oportunamente.
- Si la anomalía es detectada durante la pre-ventilación, el quemador permanece en condición de ventilación y la anomalía se señala oportunamente.
- La anomalía no es detectada durante el funcionamiento normal, el quemador permanece en este estado. Cuando la anomalía desaparece, el quemador se pone en marcha nuevamente.

5.12.17 Anomalía en la tensión interna

La caja de control detecta automáticamente si la tensión interna funciona correctamente. La anomalía es indicada por el parpadeo del led (véase apartado “**Diagnóstico anomalías - bloqueos**” en la pág. 25).

- Si se detecta la anomalía durante la inicialización, el quemador no se enciende.
- Si se detecta la anomalía después del bloqueo, el quemador no se enciende.
- Si se detecta la anomalía después del ensayo de apagado, el quemador no se enciende.
- La anomalía no es detectada durante el funcionamiento normal, el quemador permanece en este estado. Cuando la anomalía desaparece, el quemador se pone en marcha nuevamente.

5.12.18 Comprobación del motor ventilador

La caja de control detecta automáticamente la presencia del motor ventilador y, si está desconectado, la misma realizará un bloqueo. El bloqueo está indicado por el parpadeo del led (véase apartado “**Diagnóstico anomalías - bloqueos**” en la pág. 25).

5.12.19 Control de los fallos de la válvula de 1° y 2° llama y del motor

La caja de control detecta un fallo en los mandos de las válvulas y del motor, la anomalía se indica mediante el parpadeo del led (véase apartado “**Diagnóstico anomalías - bloqueos**” en la pág. 25):

- si se detecta la anomalía durante la inicialización, el quemador se bloquea.
- Si se detecta la anomalía durante la pre-ventilación, el quemador se bloquea.
- Si se detecta la anomalía durante un reciclado, el quemador no se enciende y se bloquea.

La anomalía no es detectada si el quemador está bloqueado.

El bloqueo del contacto del relé interno de la caja de control del motor se detecta si el presostato gas está cerrado y el motor está conectado a la tarjeta.

El bloqueo del contacto del relé interno de mando de la válvula de 1° llama se detecta solo con el motor encendido.

El bloqueo del contacto del relé interno de mando de la válvula de 2° llama se detecta solo cuando está activo el motor y se acciona la válvula de 1° llama.

5.12.20 Comprobación EEPROM

La caja de control detecta automáticamente si la memoria EEPROM del microcontrolador ha fracasado y lleva a cabo un bloqueo. El bloqueo se indica mediante la intermitencia del led (véase apartado “**Diagnóstico anomalías - bloqueos**” en la pág. 25).

5.12.21 Corriente de ionización

La corriente mínima aconsejada para hacer funcionar el quemador es de 5 μ A. El quemador genera una corriente muy superior, no requiriendo normalmente ningún control.

Si de todas formas se quiere medir la corriente de ionización es necesario abrir el conector (CN1)(Fig. 24) colocado en el cable rojo e introducir un microamperímetro.

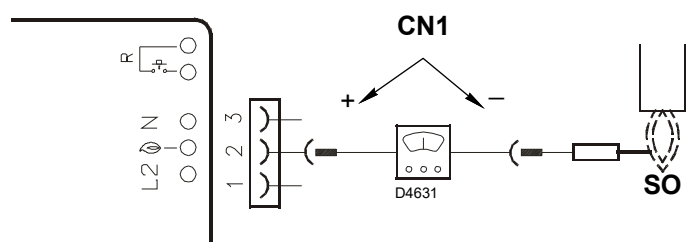


Fig. 24

5.12.22 Post-ventilación

La post-ventilación es la función que permite mantener la ventilación del aire cuando se apaga el quemador por ausencia de solicitud de calor durante un tiempo establecido. El quemador apaga la llama cuando el termostato de solicitud de calor se abre y detiene la alimentación del combustible hacia las válvulas.

No se produce la post-ventilación:

- después de un bloqueo del motor o de las válvulas;
- si se interrumpe la solicitud de calor durante la pre-ventilación.

La post-ventilación se produce:

- si se interrumpe la solicitud de calor durante el tiempo de seguridad;
- si se interrumpe la solicitud de calor durante el funcionamiento normal;
- con todos los demás tipos de bloqueos.

NOTA:

Si durante la post-ventilación se detecta una luz extraña o una llama parásita, el quemador se bloquea después de 25 segundos y no se interrumpe la post-ventilación. Si durante la post-ventilación hay una nueva solicitud de calor, el tiempo de post-ventilación se interrumpe, el motor ventilador se detiene y comienza un nuevo ciclo de funcionamiento del quemador.

5.12.23 Ventilación continua

La ventilación continua es una función que mantiene la ventilación del aire independientemente de la solicitud de encendido del quemador.

Desde el momento en que se establece, el motor permanece en funcionamiento cuando el termostato límite (TL) no está conmutado (quemador apagado), como cuando el quemador está bloqueado.

En la conmutación del termostato límite (TL) se produce la parada del motor durante un tiempo de espera de 2 segundos, el sucesivo control del presostato aire y el inicio de un nuevo ciclo de funcionamiento del quemador.

- Si durante la ventilación continua sin solicitud de calor se detecta una llama parásita, el motor permanece activo y se advierte la anomalía. El quemador pasa al estado de bloqueo luego de 25seg.
- Si durante la ventilación continua se detecta una llama parásita, el motor permanece activo pero si se activa una solicitud de calor el motor se apaga y no se activa luego de la fase de stand-by (2seg) si la llama parásita continúa presente; el quemador pasa al estado de bloqueo luego de 25seg. Luego de ajustar el bloqueo motor, se reinicia.
- El motor permanece activo pero bloqueado.
- La ventilación continua se interrumpe si se advierte un fallo interno y el quemador pasa al estado de bloqueo (eeprom, motor, válvulas 1° y 2° llama).

5.12.24 Historial de los bloqueos

La caja de control permite memorizar el tipo y la cantidad de bloqueos que se han presentado y los mantiene en ausencia de alimentación eléctrica.

El historial de bloqueos permite acceder a la visualización de los últimos 10 bloqueos (véase apartado “**Menú de programación**” en la pág. 30).

Cuando se llega a la página del menú de programación, presionando los pulsadores de desbloqueo se visualiza el último bloqueo, presionando 10 veces se visualiza el bloqueo más antiguo (cada vez que el quemador pasa al estado de bloqueo, se elimina el más antiguo).

Transcurridos 5 segundos de haber presionado los pulsadores, se pasa a la visualización del tipo de bloqueo, véase apartado “**Diagnóstico anomalías - bloqueos**” en la pág. 25).

5.12.25 Memorización de los parámetros de funcionamiento del quemador

La caja de control permite memorizar el tiempo de funcionamiento de la apertura de la válvula gas.

De este modo se puede establecer la cantidad de combustible consumido durante el funcionamiento.

La frecuencia de conteo es de 1 segundo.

Los datos se guardan en la memoria (eeprom) cada 30 minutos si el quemador está encendido.

Los datos se guardan en la memoria incluso si en los últimos 30 minutos la caja de control ha funcionado durante un breve tiempo.

Si se desconecta la caja de control de la red de alimentación entre un guardado y el siguiente (previsto luego de 30 minutos) se pierden los datos comprendidos en este intervalo.

Si durante el intervalo entre un guardado y el siguiente se configura un bloqueo, en la memoria se guardan también las horas de funcionamiento.

Junto con las horas de funcionamiento, se memoriza también el número de aperturas de la válvula de la 1ª llama del quemador.

En el menú (véase apartado “**Menú de programación**” en la pág. 30) se pueden reiniciar de modo independiente el contador de horas de funcionamiento y el contador del número de aperturas de la válvula de 1ª llama.

- El número máximo de aperturas de la válvula de 1ª llama es: 16.777.215 (luego se pone en cero).
- El contador del número de horas de funcionamiento es como máximo: 65.535 días (luego se pone en cero).

5.12.26 Longitudes admisibles de las conexiones externas del quemador

Cables de salida del quemador	Identificación	Longitud máxima admitida (metros)
Alimentación red eléctrica	L1 (L), N	20
Presostato GAS	PG	1
Termostato de solicitud calor	TL (T1,T2)	20
Cuentahoras	B4	3
Señalización externa de bloqueo	S3	20
Desbloqueo a distancia	R (RS)	20

Tab. P



ATENCIÓN

En el caso de aplicaciones de quemadores con mando a distancia remotos superiores a los indicados en Tab. P, instalar dispositivos de mando de relé (230Vac) con contactos situados cerca y sin exceder las longitudes máximas indicadas.

5.12.27 Pre-ventilación larga

Si se habilita la pre-ventilación larga, se ejecuta una pre-ventilación inicial de 1min y 20 seg además del tiempo de pre-ventilación definido por defecto (40 seg.).

En los reciclados por pérdida de llama durante el funcionamiento, no se ejecuta la pre-ventilación larga sino solo el tiempo de pre-ventilación definido por defecto (40 seg.).

Si se presenta una pérdida de presión aire durante la pre-ventilación larga, el reciclado ejecuta una repetición de la pre-ventilación que en este caso es de 1 min y 20 seg. sumados a los 40 seg.

5.13 Menú de programación

5.13.1 General

Se puede acceder al menú programación mediante el pulsador de desbloqueo integrado o a distancia, durante el FUNCIONAMIENTO y en STAND-BY.

Si en la página menú no se presiona antes de 10 segundos el pulsador de desbloqueo integrado o a distancia, se saldrá automáticamente de la página y un led verde parpadeará en el valor configurado.

Si el número de presiones en el pulsador de desbloqueo integrado o a distancia excede el máximo permitido, el valor que permanecerá en la memoria será el máximo.

Si se presiona el pulsador de desbloqueo integrado o a distancia durante más de 60 segundos, se visualizará la anomalía de una avería en el pulsador de desbloqueo.

5.13.2 Diagrama de bloques para la entrada al menú

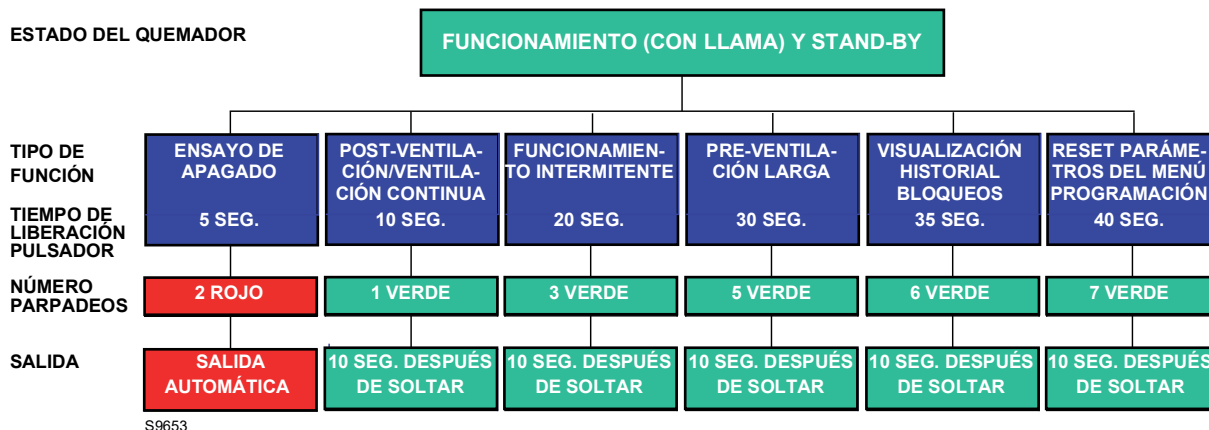


Fig. 25

Función	Tiempo de liberación del pulsador	Nº de parpadeos del led para página menú	Nº de veces que se presiona el pulsador de desbloqueo	Nº de parpadeos del Led (verde)	Salida del menú
Ensayo de apagado	5s ≤ t < 10s	2 parpadeos ROJOS	/ ninguno	/ ninguno	Automático desde las paradas intermitentes
Post-ventilación/ Ventilación continua	10s ≤ t < 15s	1 parpadeo VERDE	1 = 1 minuto 2 = 2 minutos 3 = 3 minutos 4 = 4 minutos 5 = 5 minutos 6 = 6 minutos 7 = ventilación continua 8 = 0 m (desactivado) (default)	1 parpadeo 2 parpadeos 3 parpadeos 4 parpadeos 5 parpadeos 6 parpadeos 7 parpadeos 8 parpadeos	10 seg. luego de soltar el pulsador
Funcionamiento o intermitente	20s ≤ t < 25s	3 parpadeos VERDES	1 = 1 hora 2 = 24 horas (default)	1 parpadeo 2 parpadeos	10 seg. luego del pulsador de desbloqueo
Pre-ventilación larga	30s ≤ t < 35s	5 parpadeos VERDES	1 = activada 2 = desactivada (default)	1 parpadeo 2 parpadeos	10 seg. luego del pulsador de desbloqueo
Visualización historial bloqueos	35s ≤ t < 40s	6 parpadeos VERDES	1 = último bloqueo 2 = 9º bloqueo 3 = 8º bloqueo 4 = 7º bloqueo 5 = 6º bloqueo 6 = 5º bloqueo 7 = 4º bloqueo 8 = 3º bloqueo 9 = 2º bloqueo 10 = bloqueo más antiguo	Visualización del tipo de bloqueo según Tab. N	10 seg. luego de soltar el pulsador (nivel 1). En caso de estar en el nivel 2, después de 10 segundos de visualización del tipo de bloqueo o presionando el pulsador antes de los 10 seg. se vuelve al nivel 1 desde el cual, transcurridos 10 seg. sin presionar algún pulsador, se sale del menú
Reset parámetros menú programación	40s ≤ t < 45s	7 parpadeos VERDES	1 = reset del historial bloqueos 2 = reset del n. de bloqueos 3 = reset horas de funcionamiento 4 = reset del n. de solicitudes de calor 5 = restablecimiento valores por default de los parámetros del menú	/	10 seg. luego del pulsador de desbloqueo

Tab. Q

5.13.3 Ensayo de apagado

Secuencia para ensayo de apagado

- Programación permitida en modo de FUNCIONAMIENTO y en STAND-BY.
- Presionar el pulsador durante 5 seg. $\leq t < 10$ seg.
- El led ROJO parpadea 2 veces (0,2 seg. ON; 0,2 seg. APAGADO).
- Soltar el pulsador.
- El quemador dará comienzo al apagado seguido de un arranque

Después del cierre, el quemador se reinicia automáticamente y se restaura el número de intentos de reciclado.

Al salir de la página del menú de ensayo de apagado no se encuentran leds parpadeantes.

5.13.4 Post-ventilación y ventilación continua

El tiempo de post-ventilación se puede regular como máx. **por 6 minutos**, proceder del siguiente modo:

Secuencia de programación

- Programación permitida en modo de FUNCIONAMIENTO y en STAND-BY.
- Presionar el pulsador durante 10 seg. $\leq t < 15$ seg.
- Led VERDE parpadea 1 vez
- Pulsador de desbloqueo
- Led VERDE OFF
- Presionar el pulsador de $1 \div 6$ veces (*) = $1 \div 6$ minutos
7 veces = ventilación continua
- Led VERDE ON y OFF cada vez que se presiona y se desbloquea
- Después de 10 seg. el led VERDE parpadea según las veces programadas (0,5 seg. ON; 0,5 seg. OFF)

Secuencia de desactivación

- Reinicio permitido en modo de FUNCIONAMIENTO y en STAND-BY.
- Presionar el pulsador durante 10 seg. $\leq t < 15$ seg.
- Led VERDE parpadea 1 vez
- Pulsador de desbloqueo
- Led VERDE OFF
- Presionar el pulsador 8 veces (*)
- Led VERDE ON y OFF cada vez que se presiona y se desbloquea
- Transcurridos 10 segundos el led VERDE parpadea 8 veces (0,5 seg. ENCENDIDO; 0,5 seg. APAGADO)

Si la solicitud de calor se bloquea durante la programación de la función de post-ventilación, se sale del menú sin guardar el valor de regulación. Si la solicitud de calor se bloquea durante el parpadeo del led, se sale del menú pero el valor de regulación queda memorizado.

5.13.5 Funcionamiento intermitente

Secuencia para habilitar/deshabilitar

- Programación permitida en modo de FUNCIONAMIENTO y en STAND-BY
- Presionar el pulsador durante 20 seg. $\leq t < 25$ seg.
- El led VERDE parpadea 3 veces
- Pulsador de desbloqueo
- Led VERDE OFF
- Presionar el pulsador 1 vez para habilitar un apagado cada hora (*)
- Presionar el pulsador 2 veces para habilitar un apagado cada 24 horas (*)
- Led VERDE ON y OFF cada vez que se presiona y se desbloquea
- Después de 10 seg. el led VERDE parpadea según las veces programadas (0,5 seg. ON; 0,5 seg. APAGADO).

La modificación del parámetro de configuración del Funcionamiento intermitente es operativa:

- después de la siguiente solicitud de calor del termostato (HT)
- después de la activación de un ensayo de apagado
- después de la desaparición de la llama en funcionamiento
- después de haber cortado y restablecido la alimentación eléctrica

5.13.6 Configuración de la pre-ventilación larga

La caja de control permite configurar la pre-ventilación larga, véase apartado **“Diagrama de bloques para la entrada al menú”** en la pág. 30.

Secuencia de configuración de la pre-ventilación larga

- Programación permitida en modo de FUNCIONAMIENTO y en STAND-BY
- Presionar el pulsador durante 30 seg. $\leq t < 35$ seg.
- El led VERDE parpadea 5 veces
- Soltar el pulsador.
- Led VERDE OFF
- Presionar el pulsador una vez para habilitar la pre-ventilación larga (*)
- Presionar el pulsador dos veces para deshabilitar la pre-ventilación larga (*)
- Led VERDE ON y OFF cada vez que se presiona y se desbloquea
- Después de 10 seg. el led VERDE parpadea según las veces programadas (0,5 seg. ON; 0,5 seg. APAGADO).

5.13.7 Visualización del historial de bloqueos

La caja de control permite visualizar los últimos 10 bloqueos que se han presentado y memorizado, accediendo al "Menú de programación" en la pág. 30.

Se puede acceder a esta página tanto en estado de STAND-BY, como en el estado de FUNCIONAMIENTO.

Secuencia de visualización del último bloqueo producido

- Mantener presionado el pulsador durante 35 seg. = $t < 40$ seg.
- El led VERDE parpadea 6 veces.
- Soltar el pulsador.
- Visualización del tipo de bloqueo memorizado durante 10 seg.

El tiempo de visualización del tipo de bloqueo se puede prolongar volviendo a presionar el pulsador de desbloqueo durante la visualización del boqueo (la visualización del bloqueo continúa durante otros 10 seg).

5.13.8 Reset de los parámetros del menú de programación y del historial de bloqueos

La caja de control permite poner en cero el historial y el número de bloqueos, las horas de funcionamiento, el número de encendidos y el restablecimiento de los valores por default de los parámetros del menú, véase apartado "Diagrama de bloques para la entrada al menú" en la pág. 30.

Secuencia de configuración para el reset y el restablecimiento de los parámetros

- Programación permitida en modo de FUNCIONAMIENTO y en STAND-BY.
- Presionar el pulsador durante 40 seg. $\leq t < 45$ seg.
- El led VERDE parpadea 7 veces.
- Soltar el pulsador.
- Led VERDE OFF
- Presionar el pulsador 1 vez para reiniciar el historial de bloqueos (*)
- Presionar el pulsador 2 veces para reiniciar el n° de bloqueos (*)
- Presionar el pulsador 3 veces para reiniciar las horas de funcionamiento con llama (*)
- Presionar el pulsador 4 veces para reiniciar el n° de solicitudes de calor (*)
- Presionar el pulsador 5 veces para restablecer todos los valores por default de los parámetros del MENÚ DE PROGRAMACIÓN (*)
- Led VERDE ON y OFF cada vez que se presiona y se desbloquea
- Después de 10 seg. el led VERDE parpadea según las veces programadas (0,5 seg. ON; 0,5 seg. APAGADO).

NOTA:

(*) Esperar siempre 1 seg. entre cada presión del pulsador para garantizar la correcta memorización del mando.

5.14 Tipos de bloqueo

En la pantalla de la caja de control se produce un mal funcionamiento cada vez que se produce un bloqueo, identificado por el color de pulsador de desbloqueo. La secuencia de impulsos del

led en el pulsador de desbloqueo emitida por la caja de control identifica los posibles tipos de desperfectos, que se listan en la siguiente tabla:

Descripción bloqueo	Tiempo de bloqueo	Color del led (*)	Causa posible
Llama parásita durante el stand-by o durante la post-ventilación	Después de 25 segundos	▲ ▲ ▲ ▲	- presencia de una señal de llama falsa posterior a la solicitud de calor o durante la post-ventilación
Detección de una llama parásita durante el proceso de pre-ventilación	Luego de 1 segundo	▲ ▲ ▲ ▲	- presencia de una señal de llama falsa durante el proceso de pre-ventilación
La llama no se detecta después del tiempo de seguridad	Luego de 3 segundos desde la activación de la válvula del gas	▲ ▲ ▲ ▲	- sonda de ionización dañada o no conectada - válvula gas - avería en el transformador de encendido - quemador mal regulado
No se produce la llama durante el funcionamiento	Después de 3 reciclados	▲ ▲ ▲ ▲	- quemador mal regulado - sonda ionización dañada
Avería en el motor ventilador	Inmediato	▲ ● ▲ ●	- motor ventilador defectuoso - motor ventilador desconectado
Fallo en el circuito interno de mando de la válvula del gas de 1° llama	Inmediato	▲ ■ ▲ ■	- válvula gas - circuito interno de mando de la válvula del gas de 1° llama dañado
Avería en la Eeprom	Inmediato	● ■ ● ■	- memoria interna defectuosa
Bloqueo por presostato aire no cerrado después de la solicitud de calor o después de un reciclado por pérdida de llama durante el funcionamiento	Después de los 15 segundos	▲ ■ ▲ ■	- la presión del aire es demasiado baja (cabezal regulado mal) - El presostato aire es defectuoso: sustituirlo
Bloqueo por pérdida de presión aire, luego de la repetición de la pre-ventilación por la pérdida de aire, 10 seg. antes de la finalización de la pre-ventilación, durante el tiempo de seguridad o durante el funcionamiento normal	Después de 1 segundo	▲ ▲ ▲ ▲	- la presión del aire es demasiado baja (cabezal regulado mal) - El presostato aire es defectuoso: sustituirlo
Bloqueo por presostato aire ya conmutado al momento de cerrarse el termostato de solicitud de calor o después de un reciclado por pérdida de llama durante el funcionamiento	Después de 120 segundos	▲ ● ▲ ●	- el presostato aire se conmuta a la posición de funcionamiento, sustituir el presostato - el motor ventilador continúa siendo alimentado, controlar el bloqueo del control de llama
Fallo en el circuito interno de mando de la válvula del gas de 2° llama	Inmediato	▲ ▲ ▲ ▲	- circuito interno de mando de la válvula del gas de 2° llama dañado

Tab. R

(*) Para la frecuencia de parpadeo del pulsador de desbloqueo, véase apartado “**Diagnóstico anomalías - bloqueos**” en la pág. 25.



ATENCIÓN

Para desbloquear la caja de control después de la visualización del diagnóstico visual, debe presionar el pulsador de desbloqueo.



ATENCIÓN

En caso de parada del quemador, para evitar daños en la instalación, no desbloquear el quemador más de dos veces seguidas. Si el quemador se bloquea por tercera vez, contactar con el servicio de asistencia.



PELIGRO

Si se produjeran otros bloqueos o anomalías en el quemador, las intervenciones deben ser realizadas únicamente por personal habilitado y autorizado, de acuerdo a lo indicado en este manual y en conformidad con las normas y disposiciones de ley vigentes.

6 Puesta en funcionamiento, calibración y funcionamiento del quemador

6.1 Notas sobre la seguridad para la primera puesta en funcionamiento



ATENCIÓN

La primera puesta en funcionamiento del quemador debe ser realizada por personal habilitado según todo lo indicado en el presente manual y en conformidad con las normas y disposiciones de ley vigentes.



ATENCIÓN

Comprobar el correcto funcionamiento de los dispositivos de regulación, mando y seguridad.



ATENCIÓN

Antes la primera puesta en funcionamiento del quemador, consulte el párrafo "Prueba de seguridad – con alimentación gas cerrada" en la pág. 35.

6.2 Regulaciones antes del encendido

- Controlar la regulación del cabezal como se ilustra en la pág. 17.
- Controlar la regulación del registro de aire.
- Abrir lentamente las válvulas manuales antes de la rampa de gas.
- Regular el presostato aire en el inicio de la escala.
- Purgar el aire de la línea de gas. Es aconsejable evacuar el aire purgado al exterior del edificio (mediante un tubo de plástico) hasta notar el olor característico del gas.



PRECAUCIÓN

Antes de encender el quemador, es conveniente regular la rampa de gas de forma que el encendido se produzca en condiciones de máxima seguridad, es decir, con un pequeño caudal de gas.

6.2.1 Regulación registro de aire

El primer arranque siempre debe efectuarse con el registro de aire superior en la muesca 1.

El registro de aire sale de fábrica regulado a la potencia mínima.

Para regularlo, seguir estas instrucciones:

- aflojar la tuerca 9)(Fig. 13) y regular el tornillo 8)(Fig. 13).
- Al pararse el quemador, el registro de aire se cierra automáticamente, hasta alcanzar una depresión máx. en la chimenea de 0,5 mbar.

6.3 Presostato gas



ATENCIÓN

Para la regulación del presostato gas, remítase al manual de instrucciones de la rampa de gas.

6.4 Presostato aire

Efectúe la regulación del presostato aire después de haber efectuado todas las demás regulaciones del quemador, con el presostato aire ajustado al inicio de la escala.

Con el quemador funcionando a la potencia requerida, girar el botón esférico en el sentido de las agujas del reloj hasta el bloqueo del quemador. Gire a continuación en sentido antihorario el mando de una muesca y repita el arranque del quemador para comprobar la regularidad. Si el quemador se vuelve a bloquear, gire media muesca más el mando.



ATENCIÓN

Como norma, el presostato aire debe impedir que la presión del aire baje debajo del 80% del valor de regulación y que el CO en los humos supere el 1% (10.000 ppm). Para asegurarse de esto, introduzca en la chimenea un analizador de la combustión, cierre lentamente la boca de aspiración del ventilador (con un cartón, por ejemplo) y controle que el quemador efectivamente se bloquee antes de que el CO en los humos supere el 1%.

6.5 Regulación de la combustión

Conforme a la EN 676, la aplicación del quemador en la caldera, la regulación y la prueba deben ser efectuadas de acuerdo con el manual de instrucciones de la caldera, incluido el control de la

concentración de CO y CO₂ en los humos, de su temperatura y de la temperatura media del agua de la caldera.

Se aconseja regular el quemador de acuerdo con el tipo de gas utilizado, según las indicaciones suministradas en la Tab. S.

EN 676		Exceso de aire: potencia máx. $\lambda \leq 1,2$ – potencia mín. $\lambda \leq 1,3$			
GAS	CO ₂ máx. teórico 0 % O ₂	Regulación CO ₂ %		CO mg/kWh	NO _x mg/kWh
		$\lambda = 1,2$	$\lambda = 1,3$		
G 20	11,7	9,7	9,0	≤ 100	≤ 170
G 25	11,5	9,5	8,8	≤ 100	≤ 170
G 30	14,0	11,6	10,7	≤ 100	≤ 230
G 31	13,7	11,4	10,5	≤ 100	≤ 230

Tab. S

7 Mantenimiento

7.1 Notas sobre la seguridad para el mantenimiento

El mantenimiento periódico es fundamental para el buen funcionamiento, la seguridad, el rendimiento y la duración del quemador.

El mismo permite reducir los consumos, las emisiones contaminantes y mantener el producto fiable a través del tiempo.



Las intervenciones de mantenimiento y la calibración del quemador deben ser realizadas por personal habilitado y autorizado según todo lo indicado en el presente manual y en conformidad con las normas y disposiciones de ley vigentes.

Antes de realizar cualquier operación de mantenimiento, limpieza o control:



Cortar la alimentación eléctrica del quemador con el interruptor general de la instalación.



Cerrar el grifo de interceptación del combustible.



Esperar a que se enfríen completamente los componentes en contacto con fuentes de calor.

7.2 Programa de mantenimiento

7.2.1 Frecuencia del mantenimiento



La instalación de combustión de gas debe ser controladas por lo menos una vez al año por un encargado de la Empresa Fabricante o por otro técnico especializado.

7.2.2 Prueba de seguridad – con alimentación gas cerrada

Para la puesta en funcionamiento en condiciones de seguridad es muy importante comprobar la correcta ejecución de las conexiones eléctricas entre las válvulas del gas y el quemador.

Para ello, después de haber comprobado que las conexiones han sido realizadas en conformidad con los esquemas eléctricos del quemador, se debe realizar un ciclo de encendido con el grifo gas cerrado (dry test).

- 1 La válvula manual del gas debe estar cerrada con dispositivo de bloqueo/desbloqueo (Procedimiento "lock out/tag out").
- 2 Asegurar el cierre de los contactos eléctricos límite del quemador
- 3 Asegurar el cierre del contacto del presóstato gas mínimo
- 4 Efectuar una tentativa de encendido del quemador

El ciclo de encendido se deberá realizar según las siguientes fases:

- Encendido del motor del ventilador para la pre-ventilación
- Ejecución del control de estanqueidad válvulas gas, si está previsto.
- Completamiento de la pre-ventilación
- Alcance del punto de encendido
- Alimentación del transformador de encendido
- Alimentación de las válvulas del gas.

Con el gas cerrado, el quemador no podrá encenderse y su caja de control se posicionará en condición de parada o bloqueo de seguridad.

La alimentación efectiva de las válvulas del gas se podrá comprobar con la introducción de un multímetro; algunas válvulas están dotadas de señales luminosas (o indicadores de posición cierre/apertura) que se activan en el momento de su alimentación eléctrica.

palas de la turbina: reduce el caudal de aire, provocando una



EN CASO DE QUE LA ALIMENTACIÓN ELÉCTRICA DE LAS VÁLVULAS DEL GAS SE PRODUZCA EN MOMENTOS NO PREVISTOS, NO ABRIR LA VÁLVULA MANUAL, INTERRUMPIR LA ALIMENTACIÓN ELÉCTRICA, COMPROBAR LOS CABLEADOS; CORREGIR LOS ERRORES Y REALIZAR NUEVAMENTE TODA LA PRUEBA.

7.2.3 Control y limpieza



El operador debe utilizar las herramientas necesarias para desarrollar las actividades de mantenimiento.

Combustión

Controle que no haya obstrucciones o estrangulaciones en los tubos de alimentación y de retorno del combustible en las zonas de aspiración aire y en los conductos de evacuación de los productos de combustión.

Efectuar el análisis de los gases de combustión que salen de la caldera.

Las diferencias significativas respecto al último análisis indicarán los puntos donde deberán centrarse las operaciones de mantenimiento.

Cabezal de combustión

Controlar que el cabezal de combustión esté bien colocado y bien fijado a la caldera.

Abrir el quemador y verificar que todas las partes del cabezal de combustión estén intactas, no estén deformadas por las altas temperaturas, no tengan suciedad proveniente del ambiente y estén correctamente posicionadas.

Quemador

Controle que no haya un desgaste anormal o tornillos aflojados. Limpiar exteriormente el quemador.

Ventilador

Controlar que el registro de aire esté bien colocado. Verificar que no se haya acumulado polvo en el interior del ventilador ni en las combustión defectuosa.

Distribuidor gas

Controlar periódicamente el posible atascamiento de los orificios de distribución del gas. Si fuese necesario, limpiarlos con una herramienta puntiaguda, tal como se muestra en la Fig. 26.

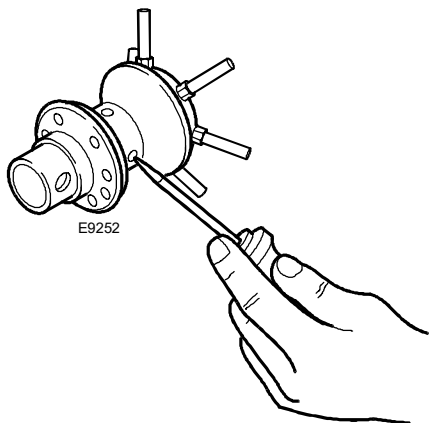


Fig. 26

Caldera

Limpiar la caldera de acuerdo con las instrucciones que la acompañan, con el fin de poder mantener intactas las características de combustión originales, en especial: presión cámara de combustión y temperatura de los humos.

Rampa de gas

Controlar que la rampa de gas sea adecuada al rendimiento del quemador, al tipo de gas utilizado y a la presión gas de la red.

Sonda-electrodo

Controlar el posicionamiento correcto de la sonda de ionización y del electrodo como se indica en la Fig. 15 en la pág. 18.

Presostatos

Controlar la regulación del presostato aire y del presostato gas.

Fugas de gas

Comprobar que no haya fugas de gas en el conducto contador-quemador.

Filtro de gas

Sustituir el filtro gas cuando esté sucio.

Combustión

En caso de que los valores de la combustión encontrados al inicio de la intervención no satisfagan las Normas vigentes o no correspondan a una buena combustión, consultar la Tab. S en la pág. 34 y, de ser necesario, contactar con la Asistencia Técnica para realizar las regulaciones necesarias.

Deje funcionar el quemador al máximo durante unos diez minutos, controlando las correctas regulaciones en 1º y 2º llama de todos los elementos indicados en este manual:

- Porcentaje de CO₂ (%)
- Contenido de CO (ppm)
- Contenido NO_x (ppm)
- Corriente de ionización (µA)
- Temperatura de los humos en la chimenea

7.2.4 Componentes de seguridad

Los componentes de seguridad se deben sustituir según la finalización del ciclo de vida indicado en la Tab. T. Los ciclos de vida especificados no se refieren a los términos de garantía indicados en las condiciones de entrega o de pago.

Componente de seguridad	Ciclo de vida
Control llama	10 años o 250.000 ciclos de funcionamiento
Sensor llama	10 años o 250.000 ciclos de funcionamiento
Válvulas gas (tipo solenoide)	10 años o 250.000 ciclos de funcionamiento
Presostatos	10 años o 250.000 ciclos de funcionamiento
Regulador de presión	15 años
Servomotor (leva electrónica) (se la hay)	10 años o 250.000 ciclos de funcionamiento
Válvula aceite (tipo solenoide) (si la hay)	10 años o 250.000 ciclos de funcionamiento
Regulador aceite (si lo hay)	10 años o 250.000 ciclos de funcionamiento
Tubos/ racores aceite (metálicos) (si los hay)	10 años
Turbina ventilador	10 años o 500.000 arranques

Tab. T

7.3 Abertura del quemador



PELIGRO

Cortar la alimentación eléctrica del quemador con el interruptor general de la instalación.



PELIGRO

Cerrar el grifo de interceptación del combustible.



Esperar a que se enfríen completamente los componentes en contacto con fuentes de calor.

Si fuese necesario realizar el mantenimiento del cabezal de combustión, consultar las indicaciones del capítulo "Posición de funcionamiento" en la pág. 15.

Para acceder a las partes internas del quemador, desenroscar los tornillos que fijan la tapa y realizar las operaciones de mantenimiento.



PELIGRO

Peligros para la seguridad del funcionamiento

Las siguientes intervenciones de mantenimiento pueden ser realizadas solamente por el fabricante respectivo o por personal asignado por el mismo:

- motor ventilador
- registro de aire
- válvulas electromagnéticas
- programador del quemador

Control del funcionamiento

- Arranque del quemador con secuencia de las funciones
- Dispositivo de encendido
- Presostato aire
- Vigilancia de la llama
- Prueba de estanqueidad de los componentes al paso del combustible



Una vez efectuadas todas las operaciones de mantenimiento, limpieza o control, volver a montar la tapa y todos los dispositivos de seguridad y protección del quemador.

8 Anomalías - Causas - Soluciones

Se enumeran algunas causas y posibles soluciones a una serie de anomalías que podrían producirse y provocar el no funcionamiento o funcionamiento irregular del quemador.

En la mayoría de los casos, una anomalía en el funcionamiento provoca el encendido de la señal del pulsador de desbloqueo de la caja de control (Fig. 7 en la pág. 13).

Cuando se enciende dicha señal, el quemador podrá funcionar nuevamente después de presionar a fondo el pulsador de desbloqueo; seguidamente, si el encendido es regular, el paro intempestivo puede atribuirse a un problema ocasional y, de todas maneras, sin ningún peligro.

En caso contrario, si persiste el bloqueo, se deberá buscar la causa de la anomalía y poner en práctica las soluciones ilustradas en las siguientes tablas Tab. U y Tab. V.



En caso de parada del quemador, para evitar daños en la instalación, no desbloquear el quemador más de dos veces seguidas. Si el quemador se bloquea por tercera vez, contactar con el servicio de asistencia.



Si se produjeran otros bloqueos o anomalías en el quemador, las intervenciones deben ser realizadas únicamente por personal habilitado y autorizado, de acuerdo a lo indicado en este manual y en conformidad con las normas y disposiciones de ley vigentes.

8.1 Dificultad en el arranque

Anomalías	Posible causa	Solución
El quemador no se pone en marcha cuando se cierra el termostato de solicitud calor.	No hay suministro de alimentación eléctrica.	Comprobar la tensión en los bornes L1-N del conector macho de 7 contactos. Comprobar los fusibles. Comprobar que el termostato de seguridad (TS) no esté bloqueado.
	Falta de gas.	Verificar la abertura de la compuerta. Verificar que las válvulas hayan conmutado en posición abierta y que no estén en cortocircuito.
	El presostato gas no ha cerrado su contacto.	Proceder a su regulación.
	No hacen buen contacto las conexiones de la caja de control.	Controlar y conectar hasta el fondo todos los conectores.
	El presostato aire está en posición de funcionamiento.	Sustituirlo.
El quemador ejecuta normalmente los ciclos de pre-ventilación y encendido y se bloquea después del tiempo de seguridad.	Está invertida la conexión fase-neutro.	Proceder a cambiarla.
	Falta o es ineficaz la conexión a tierra.	Restablecer la eficiencia.
	La sonda de ionización está conectada a masa o no dentro de la llama o está interrumpida su conexión con la caja de control y esto implica un defecto de aislamiento en la masa.	Controlar la posición correcta y ajustarla según lo indicado en este manual. Efectuar de nuevo la conexión eléctrica. Sustituir la conexión defectuosa.
Arranque del quemador con retardo en el encendido.	El electrodo de encendido está mal posicionado.	Regular correctamente como indica este manual.
	Caudal de aire demasiado elevado.	Regular el caudal de aire según lo indicado en este manual.
	Freno de válvula demasiado cerrado, con insuficiente salida de gas.	Realizar una regulación correcta.
El quemador se bloquea después de la fase de pre-ventilación sin que aparezca llama.	Las electroválvulas dejan pasar muy poco gas.	Controlar la presión en la red o regular la electroválvula como se indica en este manual.
	La electroválvula presente un desperfecto.	Sustituirlos.
	Falta o es anormal el arco eléctrico de encendido.	Controlar que los conectores estén bien conectados. Verificar la posición exacta del electrodo según las indicaciones del manual.
	Presencia de aire en la tubería.	Purgar completamente la línea de alimentación del gas.

Anomalías	Posible causa	Solución
El quemador se bloquea después de la fase de pre-ventilación.	El presostato aire no conmuta su contacto.	El presostato es defectuoso; sustituirlo.
	Hay presencia de llama.	La presión del aire es demasiado baja (cabezal regulado mal). Válvulas defectuosas: sustituir las.
El quemador repite el ciclo de arranque continuamente sin que intervenga el bloqueo.	La presión de gas en la red está cercana al valor que se ha regulado el presostato gas.	Reducir la regulación de la presión del presostato.
	La caída de presión repentina al abrirse la válvula provoca la abertura del presostato, por lo cual la válvula se cierra inmediatamente y se para el motor. La presión vuelve a aumentar, el presostato se cierra y vuelve a repetirse el ciclo de arranque. Y así continuamente.	

Tab. U

8.2 Anomalías en el funcionamiento

Desperfecto	Posible causa	Solución
El quemador se bloquea durante el funcionamiento.	Sonda a masa.	Controlar la posición correcta y ajustarla según lo indicado en este manual. Limpiar y sustituir la sonda de ionización.
	Desaparición de la llama 4 veces.	Controlar la presión del gas en la red o regule la electroválvula como se indica en este manual.
	Abertura presostato aire.	La presión del aire es demasiado baja (cabezal regulado mal). El presostato aire es defectuoso: sustituirlo.
Parada del quemador.	Abertura presostato gas.	Controlar la presión en la red o regular la electroválvula como se indica en este manual.

Tab. V

A Apéndice - Accesorios**Kit cabezal largo**

Quemador	Longitud estándar (mm)	Longitud cabezal largo (mm)	Código
BS1	70 ÷ 116	150 ÷ 160	20031875
BS2 (largo)	100 ÷ 114	170 ÷ 180	3001007
BS2 (extra largo)	100 ÷ 114	270 ÷ 280	3001008
BS3	110 ÷ 128	267 ÷ 282	3001009
BS4	145 ÷ 168	302 ÷ 317	3001016

Kit GLP

Quemador	Código kit para cabezal estándar y cabezal largo	Código *
BS1	3001003	3002734
BS2	3001004	3002735
BS3	3001005	3002736
BS4	3001011	3002737

* Kit GPL con cantidad de butano superior al 30%.

Kit gas de ciudad

Quemador	Código kit para cabezal estándar	Código kit para cabezal largo
BS1	3002727	-
BS2	3002728	3002728
BS3	3002729	3002729

Kit embudo llama antivibraciones

Quemador	Código
BS1	3001059
BS2	3001064
BS3	3001060
BS4	3001070

Kit conector macho de 7 contactos

Quemador	Código
Todos los modelos	3000945

Rampas de gas según norma EN 676

Consultar el manual.

Kit interruptor diferencial

Quemador	Código
Todos los modelos	3001180

Kit de rotación multibloc

Quemador	Código
BS1	3001179
BS2	3001177
BS3 - BS4	3001178

Kit interfaz PC

Quemador	Código
Todos los modelos	3002731

RIELLO

RIELLO S.p.A.
I-37045 Legnago (VR)
Tel.: +39.0442.630111
[http:// www.riello.it](http://www.riello.it)
[http:// www.riello.com](http://www.riello.com)