

**GB** **Forced draught gas burner**

Modulating operation

**CE**

**UK  
CA**

**EAC**

CODE	MODEL	TYPE
20160290	RS 810/E FGR	S033T1



**Translation of the original instructions**

<b>1</b>	<b>Information and general warnings.....</b>	<b>3</b>
1.1	Information about the instruction manual .....	3
1.1.1	Introduction.....	3
1.1.2	General dangers.....	3
1.1.3	Other symbols .....	3
1.1.4	Delivery of the system and the instruction manual .....	4
1.2	Guarantee and responsibility.....	4
<b>2</b>	<b>Safety and prevention.....</b>	<b>5</b>
2.1	Introduction.....	5
2.2	Personnel training .....	5
<b>3</b>	<b>Technical description of the burner .....</b>	<b>6</b>
3.1	Burner designation .....	6
3.2	Models available.....	6
3.3	Burner categories - Countries of destination .....	7
3.4	Technical data .....	7
3.5	Electrical data.....	7
3.6	Maximum dimensions.....	8
3.7	Burner equipment.....	8
3.8	Firing rates .....	9
3.9	Test boiler.....	10
3.10	Burner description .....	11
3.11	Electrical panel description.....	12
3.12	Flame control (LMV51.300).....	13
3.13	Servomotor.....	15
3.14	Calibration of the thermal relay .....	16
<b>4</b>	<b>Installation .....</b>	<b>17</b>
4.1	Notes on safety for the installation .....	17
4.2	Handling .....	17
4.3	Preliminary checks .....	17
4.4	Operating position .....	18
4.5	Removal of the locking screws from the shutter.....	18
4.6	Preparing the boiler .....	18
4.6.1	Boring the boiler plate .....	18
4.6.2	Blast tube length.....	18
4.7	Securing the burner to the boiler .....	19
4.8	Access to head internal part.....	19
4.9	Position of electrodes .....	19
4.10	Combustion head adjustment.....	20
4.11	FGR duct system.....	21
4.11.1	Flue gas recirculation line sizing .....	22
4.11.2	Calculating the percentage of recirculated flue gas .....	22
4.12	Gas feeding .....	23
4.12.1	Gas feeding line (Example) - Please refer to the gas train documentation for more information .....	23
4.12.2	Gas train .....	24
4.12.3	Gas train installation.....	24
4.12.4	Gas pressure .....	25
4.13	Electrical wiring .....	26
4.13.1	Supply cables and external connections passage .....	27
<b>5</b>	<b>Start-up, calibration and operation of the burner .....</b>	<b>28</b>
5.1	Notes on safety for the first start-up .....	28
5.2	Adjustments prior to ignition .....	28
5.3	Burner start-up .....	29

5.4	FGR commissioning.....	30
5.5	Air / fuel adjustment .....	31
5.5.1	Air adjustment for maximum output .....	31
5.5.2	Air/fuel adjustment and output modulation system .....	31
5.5.3	Burner adjustment.....	31
5.5.4	Output upon ignition .....	31
5.5.5	Maximum output .....	31
5.6	Final adjustment of the pressure switches.....	32
5.6.1	Air pressure switch.....	32
5.6.2	Maximum gas pressure switch.....	32
5.6.3	Minimum gas pressure switch.....	33
5.6.4	PVP pressure switch kit .....	33
5.7	Final checks (with burner operating).....	33
<b>6</b>	<b>Maintenance .....</b>	<b>34</b>
6.1	Notes on safety for the maintenance .....	34
6.2	Maintenance programme .....	34
6.2.1	Maintenance frequency.....	34
6.2.2	Safety test - with gas ball valve closed .....	34
6.2.3	Checking and cleaning.....	34
6.2.4	QRI flame detector .....	35
6.2.5	Voltage on the QRI sensor.....	35
6.2.6	Checking the air and gas pressure on the combustion head.....	36
6.2.7	Safety components .....	36
6.3	Opening the burner .....	37
6.4	Closing the burner.....	37
<b>7</b>	<b>Faults - Probable causes - Solutions .....</b>	<b>38</b>
<b>A</b>	<b>Appendix - Accessories .....</b>	<b>39</b>
<b>B</b>	<b>Appendix - Electrical panel layout.....</b>	<b>40</b>

**1 Information and general warnings**

**1.1 Information about the instruction manual**

**1.1.1 Introduction**

The instruction manual supplied with the burner:

- is an integral and essential part of the product and must not be separated from it; it must therefore be kept carefully for any necessary consultation and must accompany the burner even if it is transferred to another owner or user, or to another system. If the manual is lost or damaged, another copy must be requested from the Technical Assistance Service of the area;
- is designed for use by qualified personnel;
- offers important indications and instructions relating to the installation safety, start-up, use and maintenance of the burner.

**Symbols used in the manual**

In some parts of the manual you will see triangular DANGER signs. Pay great attention to these, as they indicate a situation of potential danger.

**1.1.2 General dangers**

The **dangers** can be of **3 levels**, as indicated below.



Maximum danger level!  
This symbol indicates operations which, if not carried out correctly, cause serious injury, death or long-term health risks.



This symbol indicates operations which, if not carried out correctly, may cause serious injury, death or long-term health risks.



This symbol indicates operations which, if not carried out correctly, may cause damage to the machine and/or injury to people.

**1.1.3 Other symbols**



**DANGER: LIVE COMPONENTS**  
This symbol indicates operations which, if not carried out correctly, lead to electric shocks with lethal consequences.



**DANGER: FLAMMABLE MATERIAL**  
This symbol indicates the presence of flammable materials.



**DANGER: BURNING**  
This symbol indicates the risks of burns due to high temperatures.



**DANGER: CRUSHING OF LIMBS**  
This symbol indicates the presence of moving parts: danger of crushing of limbs.



**WARNING: MOVING PARTS**  
This symbol indicates that you must keep limbs away from moving mechanical parts; danger of crushing.



**DANGER: EXPLOSION**  
This symbol signals places where an explosive atmosphere is present. An explosive atmosphere is defined as a mixture of dangerous substances with air, under atmospheric conditions, in the form of gases, vapours, mist or dust in which, after ignition has occurred, combustion spreads to the entire unburned mixture.



**PERSONAL PROTECTION EQUIPMENT**  
These symbols indicate the equipment that must be worn and kept by the operator for protection against threats against safety and/or health while at work.



**MOUNT CASING**  
This symbol indicates that it is mandatory to mount casing again after maintenance, cleaning or checks.



**ENVIRONMENTAL PROTECTION**  
This symbol gives indications for the use of the machine with respect for the environment.



**IMPORTANT INFORMATION**  
This symbol indicates important information that you must bear in mind.

- This symbol indicates a list.

**Abbreviations used**

Ch.	Chapter
Fig.	Figure
Page	Page
Sec.	Section
Tab.	Table

### 1.1.4 Delivery of the system and the instruction manual

When the system is delivered, it is important that:

- the instruction manual is delivered to the user by the system manufacturer, with the recommendation to keep it in the room where the heat generator is to be installed.
- The instruction manual shows:
  - the serial number of the burner;

.....
-------

- the address and telephone number of the nearest Assistance Centre.

.....
.....
.....

- The system supplier must carefully inform the user about:
  - the use of the system;
  - any further tests that may be required before activating the system;
  - maintenance, and the need to have the system checked at least once a year by a representative of the manufacturer or another specialised technician. To ensure a periodic check, the manufacturer recommends the drawing up of a Maintenance Contract.

## 1.2 Guarantee and responsibility

The manufacturer guarantees its new products from the installation date, in accordance with the regulations in force and/or the sales contract. At the moment of the first start-up, check that the burner is integral and complete.



**WARNING**

Failure to observe the information given in this manual, operating negligence, incorrect installation and carrying out of non authorised modifications will result in the annulment by the manufacturer of the guarantee that it supplies with the burner.

In particular, the rights to the guarantee and the responsibility will no longer be valid, in the event of damage to things or injury to people, if such damage/injury was due to any of the following causes:

- incorrect installation, start-up, use and maintenance of the burner;
- improper, incorrect or unreasonable use of the burner;
- intervention of unqualified personnel;
- carrying out of unauthorised modifications on the equipment;
- use of the burner with safety devices that are faulty, incorrectly applied and/or not working;
- installation of untested supplementary components on the burner;
- powering of the burner with unsuitable fuels;
- faults in the fuel supply system;
- use of the burner even following an error and/or an irregularity;
- repairs and/or overhauls incorrectly carried out;
- modification of the combustion chamber with inserts that prevent the regular development of the structurally established flame;
- insufficient and inappropriate surveillance and care of those burner components most likely to be subject to wear and tear;
- the use of non-original components, including spare parts, kits, accessories and optional;
- force majeure.

**The manufacturer furthermore declines any and every responsibility for the failure to observe the contents of this manual.**

## 2 Safety and prevention

### 2.1 Introduction

The burners have been designed and built in compliance with current regulations and directives, applying the known technical rules of safety and envisaging all the potential danger situations. It is necessary, however, to bear in mind that the imprudent and clumsy use of the equipment may lead to situations of death risk for the user or third parties, as well as the damaging of the burner or other items. Inattention, thoughtlessness and excessive confidence often cause accidents; the same applies to tiredness and sleepiness.

It is a good idea to remember the following:

- The burner must only be used as expressly described. Any other use should be considered improper and therefore dangerous.

In particular:

it can be applied to boilers operating with water, steam, diathermic oil, and to other users expressly named by the manufacturer; the type and pressure of the fuel, the voltage and frequency of the electrical power supply, the minimum and maximum deliveries for which the burner has been regulated, the pressurisation of the combustion chamber, the dimensions of the combustion chamber and the room temperature must all be within the values indicated in the instruction manual.

- Modification of the burner to alter its performance and destinations is not allowed.
- The burner must be used in exemplary technical safety conditions. Any disturbances that could compromise safety must be quickly eliminated.
- Opening or tampering with the burner components is not allowed, apart from the parts requiring maintenance.
- Only those parts envisaged by the manufacturer can be replaced.



The manufacturer guarantees safety and proper functioning only if all burner components are intact and positioned correctly.

### 2.2 Personnel training

The user is the person, body or company that has acquired the machine and intends to use it for the specific purpose. He is responsible for the machine and for the training of the people working around it.

The user:

- undertakes to entrust the machine exclusively to suitably trained and qualified personnel;
- undertakes to inform his personnel in a suitable way about the application and observance of the safety instructions. With that aim, he undertakes to ensure that everyone knows the use and safety instructions for his own duties;
- Personnel must observe all the danger and caution indications shown on the machine.
- Personnel must not carry out, on their own initiative, operations or interventions that are not within their province.
- Personnel must inform their superiors of every problem or dangerous situation that may arise.
- The assembly of parts of other makes, or any modifications, can alter the characteristics of the machine and hence compromise operating safety. The manufacturer therefore declines any and every responsibility for any damage that may be caused by the use of non-original parts.

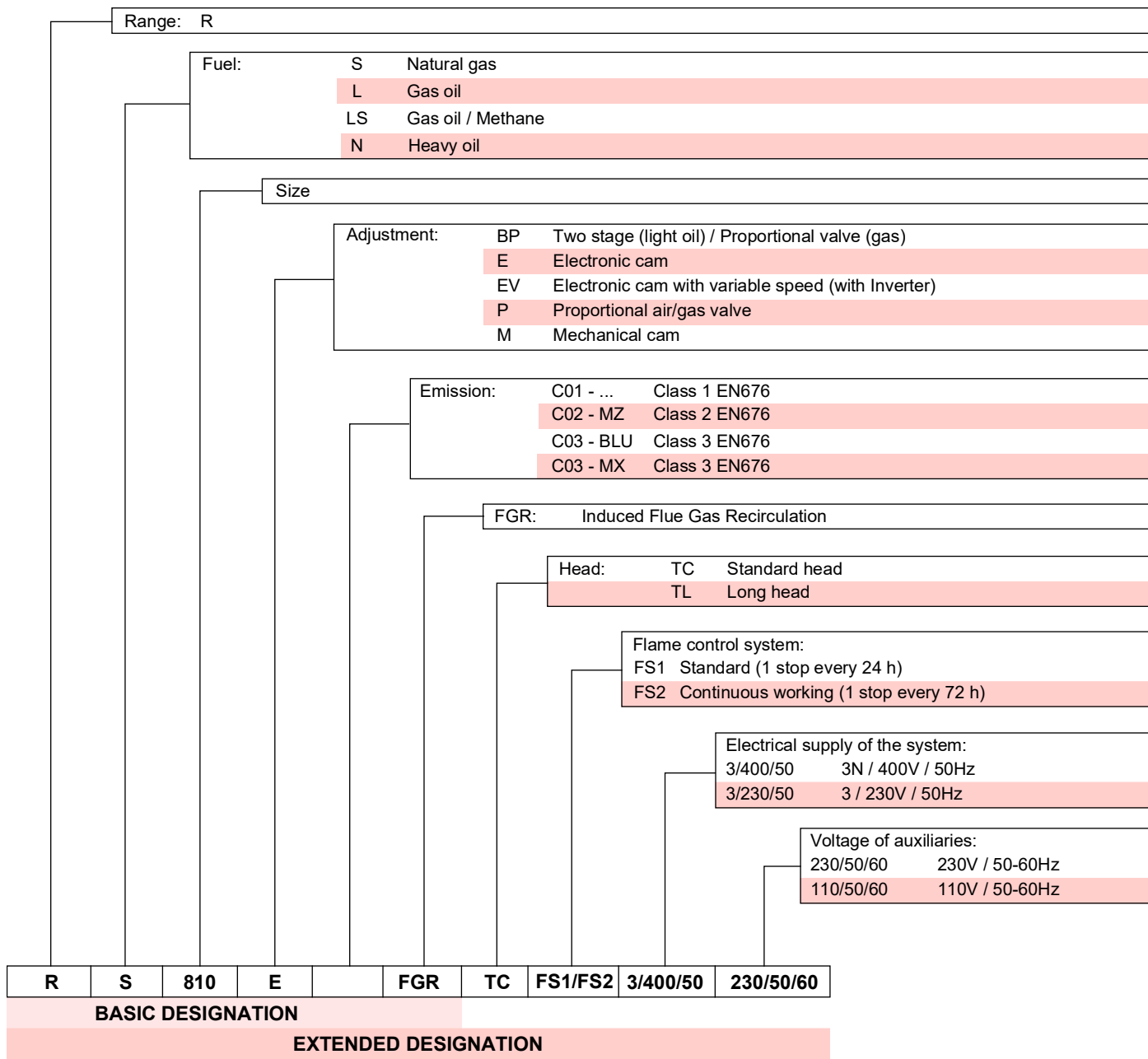
In addition:



- the user must take all the measures necessary to prevent unauthorised people gaining access to the machine;
- the user must inform the manufacturer if faults or malfunctioning of the accident prevention systems are noticed, along with any presumed danger situation.
- Personnel must always use the personal protective equipment envisaged by legislation and follow the indications given in this manual.

**3 Technical description of the burner**

**3.1 Burner designation**



**3.2 Models available**

Designation	Voltage	Start-up	Code
RS 810/E FGR	3/400/50	Star/Delta	20160290

Tab. A

**3.3 Burner categories - Countries of destination**

Gas category	Destination country
I <sub>2E</sub>	DE - LU - PL
I <sub>2H</sub>	AT - BG - CH - CZ - DK - EE - ES - FI - FR - GB - GR - HU - IE - IS - IT - LT - LV - NO - PT - RO - SE - SI - SK - TR
I <sub>2E(R)</sub>	BE

Tab. B

**3.4 Technical data**

Model	RS 810/E FGR	
Power (1) Output (1)	min max	- kW 1100/3500 ÷ 7000
Fuels	Natural gas: G20 (methane gas)	
Operation	FS1: Intermittent (min. 1 stop in 24 hours) FS2: Continuous (min 1 stop 72 hours) The burner leaves the factory set for the intermittent operation	
Standard applications	Boilers: water, steam, diathermic oil	
Ambient temperature	°C	0 - 40
Combustion air temperature	°C max	60
Burner weight	Kg	300
Noise levels (2)	Sound pressure Sound power	dB(A) 90 104.6
CE	N.	CE-0476DP3335

Tab. C

- (1) Reference conditions: Ambient temperature 20°C - Gas temperature 15°C - Barometric pressure 1013 mbar - Altitude 0 m a.s.l.  
 (2) Sound pressure measured in manufacturer's combustion laboratory, with burner operating on test boiler and at maximum rated output. The sound power is measured with the "Free Field" method, as per EN 15036, and according to an "Accuracy: Category 3" measuring accuracy, as set out in EN ISO 3746.

**3.5 Electrical data**

Model	RS 810/E FGR	
Main electrical supply	3N ~ 400V +/-10% 50 Hz	
Absorbed electrical power	kW max	24.5
Protection level	IP 54	

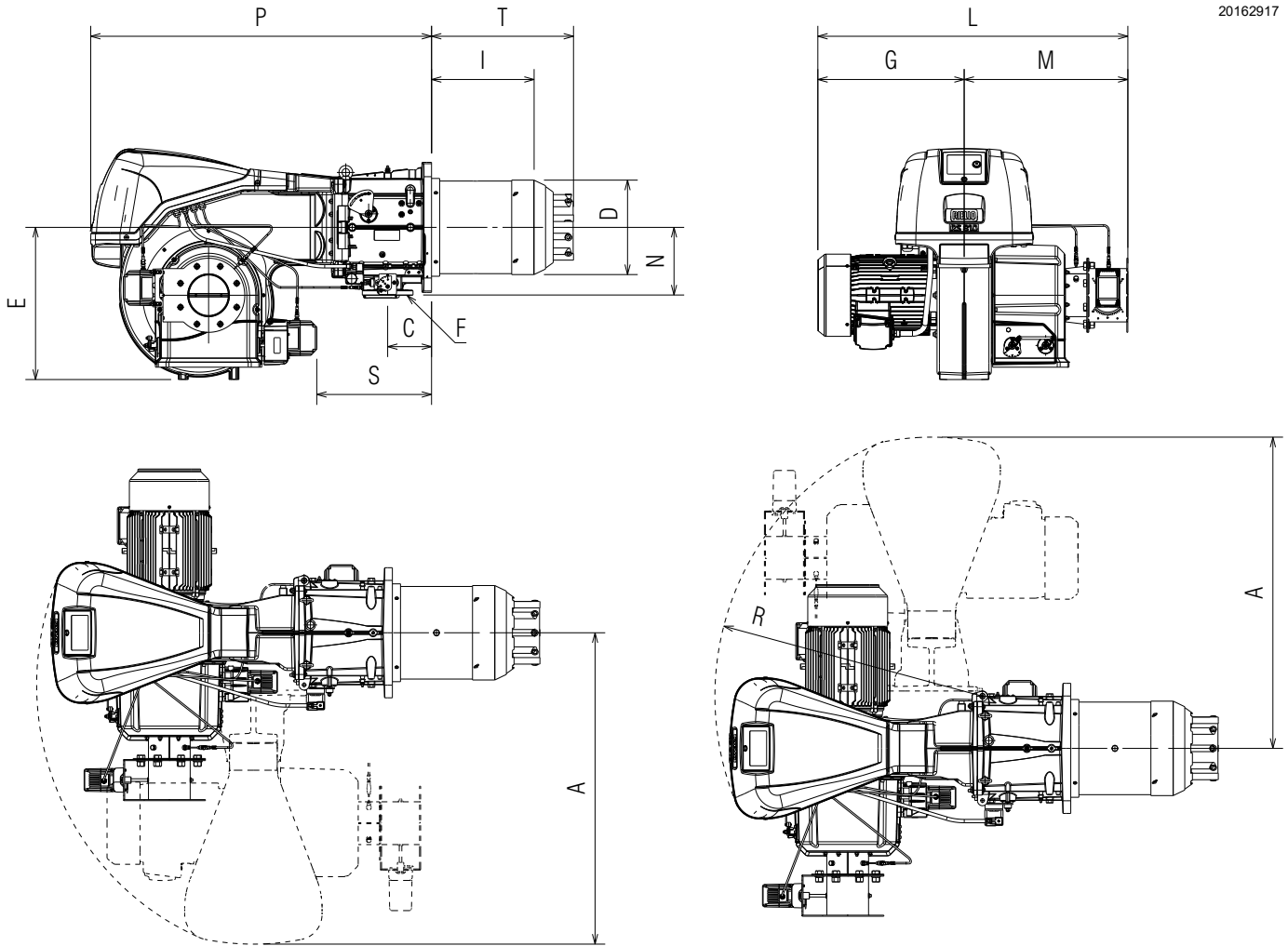
Tab. D

**3.6 Maximum dimensions**

The maximum dimensions of the burner are shown in Fig. 1. Bear in mind that inspection of the combustion head requires the burner to be opened and the rear part turned on the hinge.

The maximum dimensions of the open burner are indicated by the A and R positions.

The I position is reference for the refractory thickness of the boiler door.



20162917

**Fig. 1**

mm	A	C	D	E	F	G	I	L	M	N	P	R	S	T
RS 810/E FGR	1197	173	363	585	DN80	577	405	1222	645	260	1345	1055	450	558

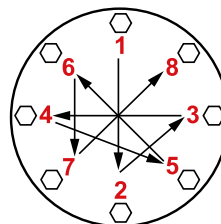
**Tab. E**

**3.7 Burner equipment**

- Thermal insulation screen ..... No. 1
- Gasket for gas train ..... No. 2
- M 12 x 16 replacement screws to secure the combustion head.. No. 2
- M18 x 70 screws to secure the burner to the boiler ..... No. 4
- Ø 18 washer to secure the burner to the boiler ..... No. 4
- M16 x 67 stud bolts to fix the gas elbow to the pipe coupling ..... No. 8
- M16 nuts to fix the gas elbow to the pipe coupling ..... No. 8
- Ø 16 washer to secure the gas flange ..... No. 8
- Pressure kit switch ..... No. 1
- Instructions ..... No. 1
- Spare parts list ..... No. 1



It is recommended to tighten the screws of the gas flange with a tightening torque of **40 Nm ±10%**.



Tighten the nuts gradually (first to 30%, then to 60% up to 100%) according to the cross pattern shown in the figure.

**3.8 Firing rates**

The **MAXIMUM OUTPUT** is chosen from within the diagram area (Fig. 2).

The **MINIMUM OUTPUT** must not be lower than the minimum limit of the diagram:



The firing rate value (Fig. 2) has been obtained considering an ambient temperature of 20C, an atmospheric pressure of 1013 mbar (approx. 0 m a.s.l.), and with the combustion head adjusted as shown on page 20.

Model	kW
RS 810/E FGR	1100



Fig. 2

**NOTE:**

It is important to be aware that the use of the Flue Gas Recirculation (FGR) function, in order to achieve an ULTRA Low NOx emission performance, might lower the burner's maximum output, because the maximum amount of combustion air that can be introduced will be reduced, and so the oxygen concentration. The shown firing rates are obtained in special test boilers, according to EN 676 regulation and referred to a Low NOx performance conforming to the Class 3 of EN676, with 0% of Flue Gas Recirculation; by increasing the recirculation % in order to achieve an ULTRA Low NOx emission the burner's maximum output will be reduced.

**3.9 Test boiler**

The burner/boiler combination does not pose any problems if the boiler is EC approved and its combustion chamber dimensions are similar to those indicated in the diagram (Fig. 3).

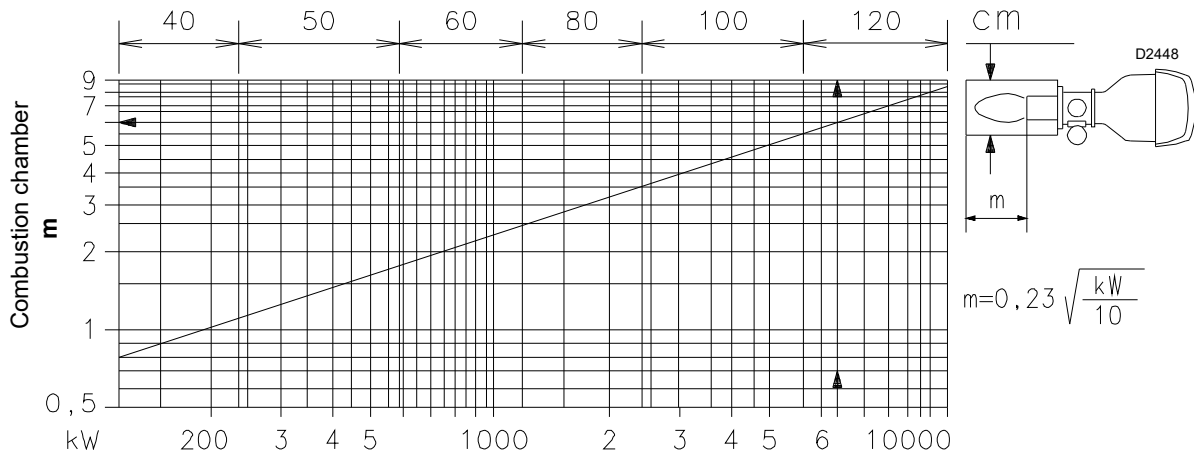
If the burner must be combined with a boiler that has not been EC approved and/or its combustion chamber dimensions are clearly smaller than those indicated in the diagram, consult the manufacturer.

The firing rates were obtained in special test boilers, according to EN 676 regulations.

In Fig. 3 you can see the diameter and length of the test combustion chamber.

**Example: RS 810/E FGR**

Output 7000 kW - diameter 120 cm - length 6 m.



**Fig. 3**

3.10 Burner description

20162927

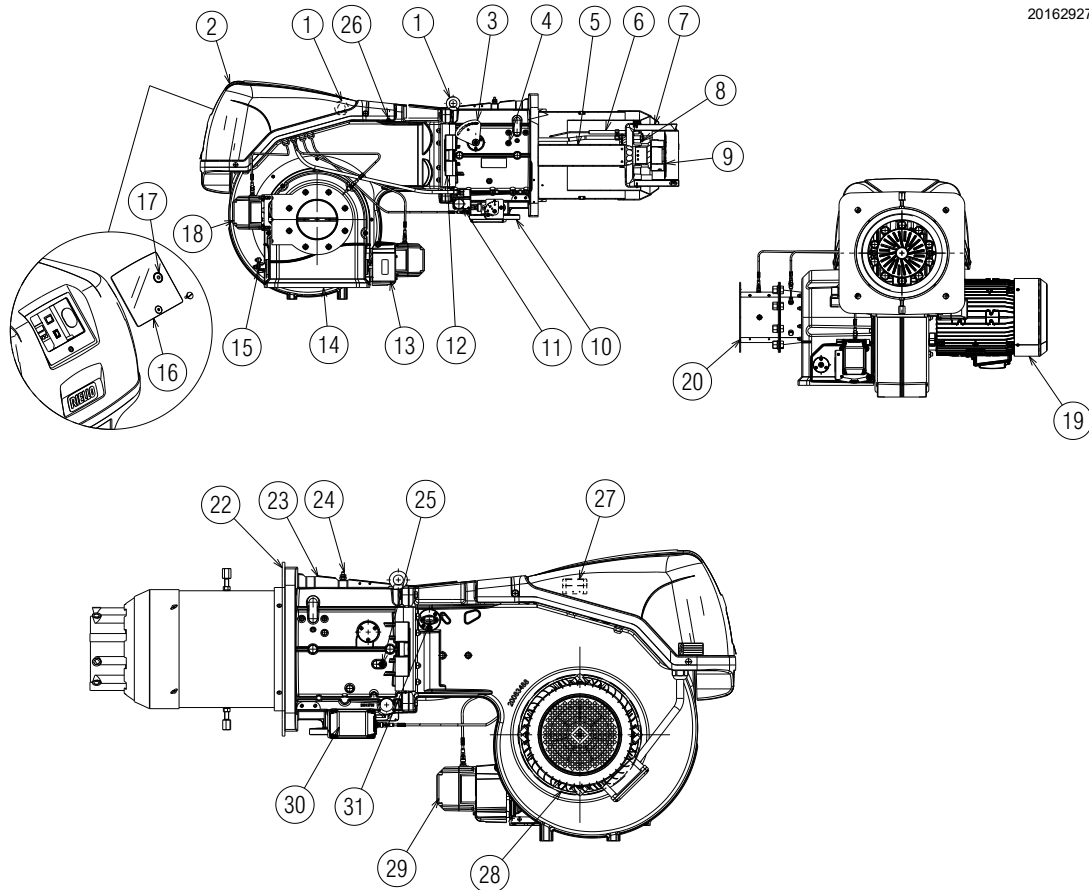


Fig. 4

- |   |                   |
|---|-------------------|
| 1 Lifting rings                               | 30 Gas servomotor |
| 2 Cover for electrical panel                  | 31 Flame sensor   |
| 3 Lever for combustion head movement          |                   |
| 4 Air pressure test point for combustion head |                   |
| 5 Combustion head                             |                   |
| 6 Ignition electrode                          |                   |
| 7 Shutter                                     |                   |
| 8 Diffuser for gas pilot                      |                   |
| 9 Flame stability disc                        |                   |
| 10 Gas inlet flange                           |                   |
| 11 Maximum gas pressure switch                |                   |
| 12 Hinge for burner opening                   |                   |
| 13 Protection                                 |                   |
| 14 Air inlet for fan                          |                   |
| 15 Air damper control lever                   |                   |
| 16 Protection for viewing port                |                   |
| 17 Reset button                               |                   |
| 18 FGR servomotor                             |                   |
| 19 Fan motor                                  |                   |
| 20 FGR regulator                              |                   |
| 21 Flange inlet for flue gas                  |                   |



The burner can be opened to the right or to the left without links to the fuel supply side.  
When the burner is closed, the hinge can be refitted on the opposite side.



Wait for the components in contact with heat sources to cool down completely.

- |  |
|--|
| 22 Gasket for boiler fixing                        |
| 23 Pipe coupling                                   |
| 24 Gas pressure test point for combustion head     |
| 25 Air pressure test point for combustion head     |
| 26 Pressure test point for air pressure switch "+" |
| 27 Air pressure switch                             |
| 28 Fan   |
| 29 Servomotor for air dampers                      |

3.11 Electrical panel description

20164316

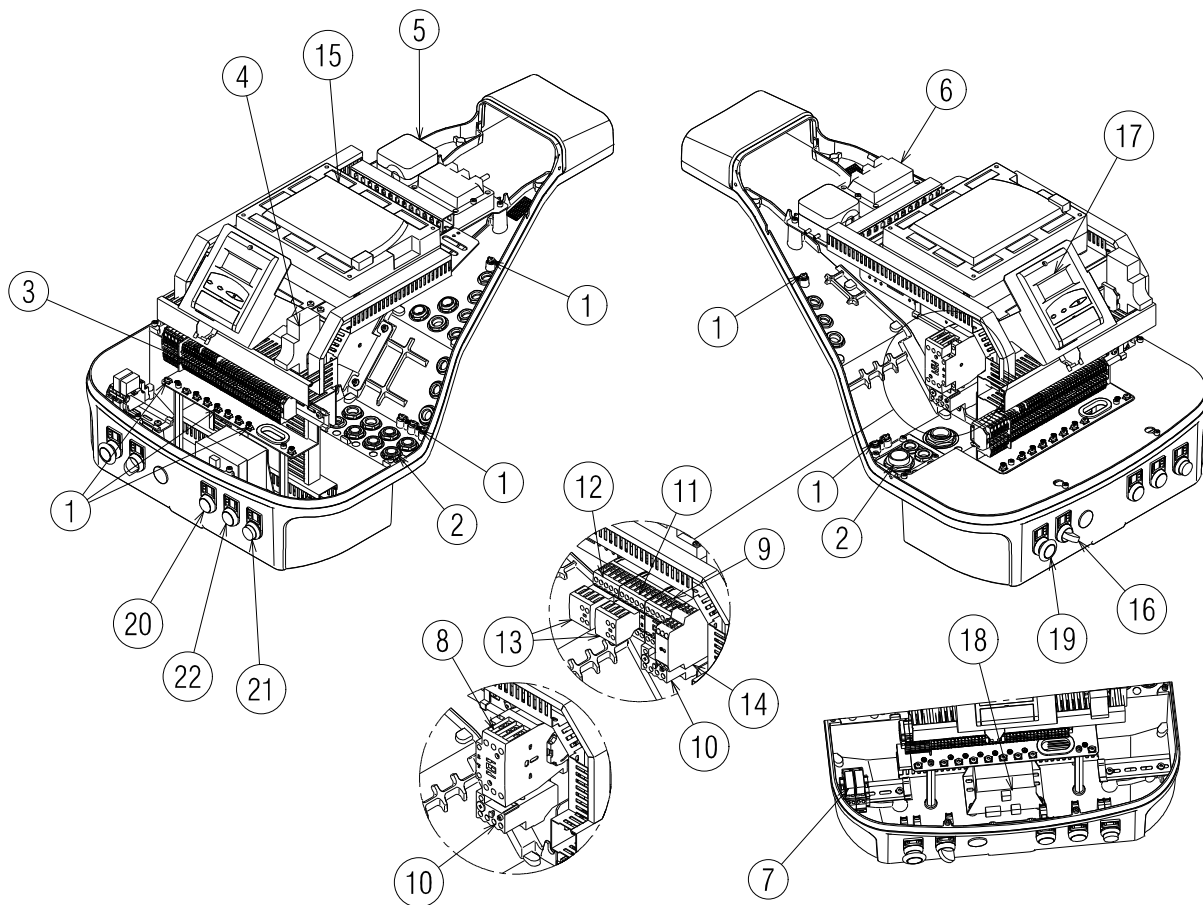


Fig. 5

- 1 Earth terminal
- 2 Supply cables and external connections passage
- 3 Main terminal supply board
- 4 Auxiliary circuits fuse (includes a spare fuse)
- 5 Air pressure switch
- 6 Ignition transformer
- 7 Free contact relay
- 8 Direct start up line contactor
- 9 Star/delta start-up line contactor
- 10 Thermal relay (with reset button)
- 11 Delta contactor (star/delta start up)
- 12 Star contactor (star/delta start up)
- 13 Auxiliary contacts
- 14 Timer for delta/star start-up
- 15 Electronic cam
- 16 "0/AUTO" selector
- 17 Operator panel with LCD display
- 18 Flame control power supply
- 19 Emergency button
- 20 Light signalling "POWER ON"
- 21 Light signalling burner lock-out and reset button
- 22 Light signalling "OVERLOAD FAN MOTOR"

### 3.12 Flame control (LMV51.300)

#### Warnings



To avoid accidents, material or environmental damage, observe the following instructions!

The LMV51... is a safety device! Avoid opening or modifying it, or forcing its operation. Riello S.p.A. cannot assume any responsibility for damage resulting from unauthorised interventions!

#### Risk of explosion!

An incorrect configuration can provoke fuel overcharging, with the consequential risk of explosion! Operators must be aware that incorrect settings made on the AZL5... display and operating unit and incorrect settings of the fuel and / or air actuator positions can lead to dangerous burner operating conditions.

- All interventions (assembly and installation operations, assistance, etc.) must be carried out by qualified personnel.
- Before modifying the wiring in the LMV52 flame control connection area, fully disconnect the system from the power supply (omnipolar separation). Check the system is not powered and cannot be accidentally reconnected. Failure to do this will lead to the risk of electrocution.
- Protection against electrocution from the LMV5... flame control and all connected electric components is obtained with correct assembly.
- Before any intervention (assembly and installation operations, assistance, etc.), ensure the wiring is in order and that the parameters are correctly set, then make the safety checks.
- Falls and collisions can negatively affect the safety functions.

In this case, the flame control must not be operated, even if it displays no evident damage.

- In programming mode, the position check of actuators and VSD (checking electronic fuel / air ratio control) is different from the check during automatic operation. As for automatic operation, the actuators are guided together to the positions requested and, if an actuator does not reach the position requested, adjustments are made until the position is actually reached. However, in contrast to automatic operation, there are no time limits to these corrective actions. The other actuators maintain their positions until all actuators have reached the positions currently required. This is absolutely important to set the fuel / air ratio control system.

During the time the fuel / air ratio curves are being programmed, the person making the plant settings must continuously monitor the quality of the combustion process (e.g. by means of a flue gas analyser). Also, if combustion levels are poor, or in the event of dangerous situations, the commissioning engineer must take appropriate action (e.g. switching off manually).

To ensure the safety and reliability of the LMV5... system, the following instructions must also be followed:

- avoid conditions that can favour the development of condensate and humidity. Otherwise, before switching on again, make sure that the entire flame control is perfectly dry!
- Static charges must be avoided since they can damage the flame control's electronic components when touched.



D9301

**Fig. 6**

#### Mechanical structure

The LMV5... flame control is a system to check the burners, based on a microprocessor and equipped with components to adjust and monitor medium and large capacity forced draught burners.

The base flame control of the LMV5... system incorporates the following components:

- Burner control with gas valve proving system
- Electronic fuel / air ratio control with a maximum of 4 actuators
- Optional PID temperature / pressure controller (load controller)
- Optional VSD module Mechanical design

#### Installation notes

- Check the electric wiring inside the boiler complies with the national and local safety regulations.
- Do not confuse the powered conductors with the neutral ones.
- Make certain that strain relief of the connected cables is in compliance with the relevant standards (e.g. as per DIN EN 60730 and DIN EN 60 335).
- Ensure that spliced wires cannot get into contact with neighbouring terminals. Use adequate ferrules.
- Arrange the HV ignition cables separately, as far as possible from the flame control and the other cables.
- The burner manufacturer must protect unused AC 230V terminals with dummy plugs (refer to sections Suppliers of other accessory items).
- When wiring the unit, make sure that AC 230V mains voltage cables are run strictly separate from extra low-voltage cables to avoid risks of electrical shock hazard.

### Electrical connection of flame detector

It is important for signal transmission to be almost totally free of any disturbances or loss:

- always separate the detector cables from the other cables:

- Line capacitance reduces the magnitude of the flame signal.
- Use a separate cable.
- Respect the allowed cable lengths.

### Technical data

LMV51... basic unit	Mains voltage	AC 230V -15% / +10%
	Mains frequency	50 / 60 Hz $\pm$ 6%
	Power absorption	< 30W (normal)
	Safety class	I, with components in compliance with II and III, according to DIN EN 60730-1
Load on 'input' terminals	F1 unit fuse (internal)	6.3 AT
	Primary perm. mains fuse (external)	Max. 16 AT
	Undervoltage	
	• Safety switch-off from operating position to mains voltage	< AC 186V
	• Restart when mains voltage picks up	> AC 188V
	Oil pump / magnetic clutch (nominal voltage)	
	• Nominal current	2A
• Power factor	$\cos\phi > 0.4$	
Load on 'output' terminals	Air pressure switch test valve (nominal voltage)	
	• Nominal current	0.5A
	• Power factor	$\cos\phi > 0.4$
	<b>Total load on the contacts:</b>	
	• Mains voltage	AC 230V -15 % / +10%
	• Total unit input current (safety circuit) load on contacts due to:	Max. 5 A
	- Fan motor contactor	
- Ignition transformer		
- Valve		
- Oil pump / magnetic clutch		
Cable lengths	<b>Single contact loading:</b>	
	Fan motor contactor (nominal voltage)	
	• Nominal current	1A
	• Power factor	$\cos\phi > 0.4$
	Alarm output (nominal voltage)	
	• Nominal current	1A
	• Power factor	$\cos\phi > 0.4$
	Ignition transformer (nominal voltage)	
	• Nominal current	2A
	• Power factor	$\cos\phi > 0.2$
	Fuel gas valve (nominal voltage)	
	• Nominal current	2A
	• Power factor	$\cos\phi > 0.4$
Fuel oil valve (nominal voltage)		
• Nominal current	1A	
• Power factor	$\cos\phi > 0.4$	
Environmental conditions	Main line	Max. 100m (100 pF/m)
	Operation	DIN EN 60721-3-3
	Climatic conditions	Class 3K3
	Mechanical conditions	Class 3M3
	Temperature range	-20...+60°C
Humidity	< 95% RH	

Tab. F

**3.13 Servomotor**

**Warnings**



**WARNING**

**To avoid accidents, material or environmental damage, observe the following instructions!**

**Avoid opening, modifying or forcing the actuators.**

- All interventions (assembly and installation operations, assistance, etc.) must be carried out by qualified personnel.
- Before modifying the wiring in the SQM4... system connection area, fully disconnect the burner control device from the power supply (omnipolar separation).
- To avoid the risk of electrocution, protect the connection terminals in a suitable manner and correctly fix the cover.
- Check the wiring is in order.
- Falls and collisions can negatively affect the safety functions. In this case, the unit must not be operated, even if it displays no evident damage.

**Assembly notes**

- Check the relevant national safety standards are respected.
- The connection between the actuator command shaft and the control element must be rigid, without any mechanical play.
- To avoid an excessive load on the bearings due to rigid hubs, the use of compensation clutches without any mechanical play is recommended (e.g. metal bellows-type clutches).

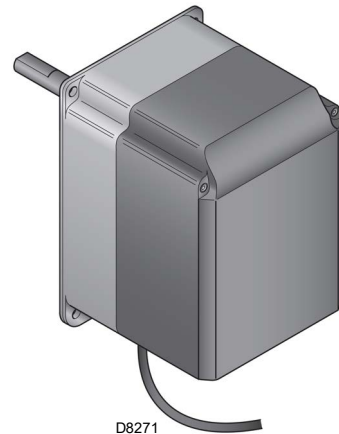
**Installation notes**

- Arrange the H.V. ignition cables separately, as far as possible from the flame control and the other cables.
- To avoid the risk of electrocution, make sure that the 230V AC section of the SQM4... unit is fully separated from the functional low-voltage section.
- The static torque is reduced when the electrical supply of the actuator is switched off.
- The housing cover may only be removed for short periods of time for wiring or when making the addressing. In similar cases, make sure that dust or dirt does not penetrate inside the actuator.
- The actuator comprises a PCB with ESD-sensitive components.
- The top side of the board carries a cover which affords protection against direct contact. This protective cover must not be removed! The underside side of the board must not be touched.



**WARNING**

**During the maintenance or replacement of the actuators, be careful not to invert the connectors.**



**Fig. 7**

**Technical data**

Operating voltage	AC 2 x 12V via bus cable from the base unit or via a separate transformer
Safety class	extra low-voltage with safe isolation from mains voltage
Power absorption	
– SQM45...	9...15 VA
– SQM48...	26...34 VA
Degree of protection	to EN 60 529, IP 54, provided adequate cable entries are used
Cable connection	RAST3,5 connectors
Rotation direction	- Anticlockwise (standard) - Clockwise (inverted rotation)
Nominal torque (max)	
– SQM45...	3 Nm
– SQM48...	20 Nm
Holding torque (max)	
– SQM45...	1.5 Nm
– SQM48...	20 Nm
Running time (min.) for 90°	
– SQM45...	10 s.
– SQM48...	30 s.
Weight	
– SQM45...	1 kg approx.
– SQM48...	1.6 kg approx.
Environmental conditions:	
Operation	DIN EN 60 721-3-3
Climatic conditions	Class 3K3
Mechanical conditions	Class 3M3
Temperature range	-20...+60°C
Humidity	< 95% RH

**Tab. G**

**3.14 Calibration of the thermal relay**

The thermal relay serves to avoid damage to the motor due to an excessive absorption increase or if a phase is missing.

For calibration 2)(Fig. 8), see the table in the wiring diagram.

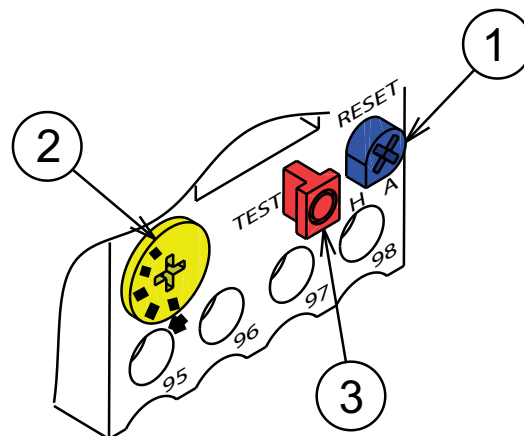
To reset, in case of an intervention of the thermal relay, press the "RESET" button 1) of Fig. 9.

The red "TEST" button 3) opens the NC (95-96) contact and stops the motor.



CAUTION

The automatic reset (Position "A" button 1) can be dangerous. This operation is not anticipated in the burner's operation, leave it always on "H". **Therefore do not position the "RESET" button 1) on "A".**



20073932

Fig. 8



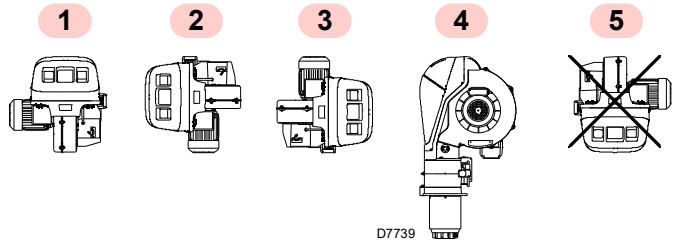
**4.4 Operating position**



- The burner is designed to operate only in positions **1**, **2**, **3** and **4** (Fig. 10).
- Installation **1** is preferable, as it is the only one that allows the maintenance operations as described in this manual.
- Installations **2**, **3** and **4** permit operation but make maintenance and inspection of the combustion head more difficult.



- Any other position could compromise the correct operation of the appliance.
- Installation **5** is prohibited for safety reasons.



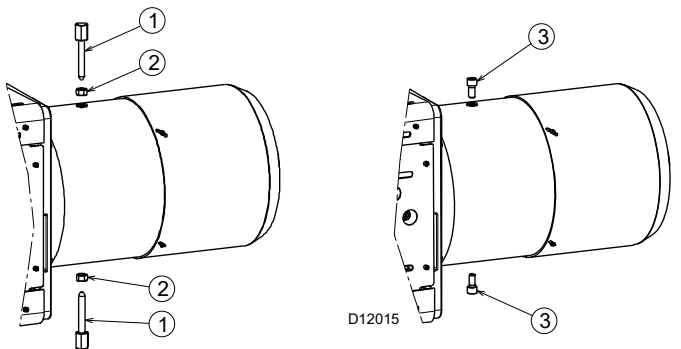
**Fig. 10**

**4.5 Removal of the locking screws from the shutter**



Remove the screws and the nuts 1)-2)(Fig. 11), before installing the burner on the boiler.

Replace them with the screws 3) M12 X 16 supplied with the burner.



**Fig. 11**

**4.6 Preparing the boiler**

**4.6.1 Boring the boiler plate**

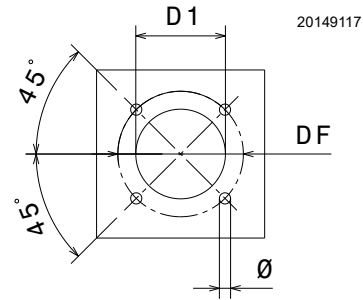
Pierce the closing plate of the combustion chamber, as in Fig. 12. The position of the threaded holes can be marked using the thermal insulation screen supplied with the burner.

**4.6.2 Blast tube length**

The length of the blast tube must be selected according to the indications provided by the manufacturer of the boiler, and in any case it must be greater than the thickness of the boiler door complete with its refractory.

For boilers with front flue passes 1)(Fig. 13) or flame inversion chamber, a protection in refractory material 5) must be inserted between the boiler fettling 2) and the flame funnel 4).

This protection must not compromise the extraction of the blast tube.



**Fig. 12**

mm	D1	DF	Ø
RS 810/M BLU	400	495	M18

**Tab. H**

**4.7 Securing the burner to the boiler**



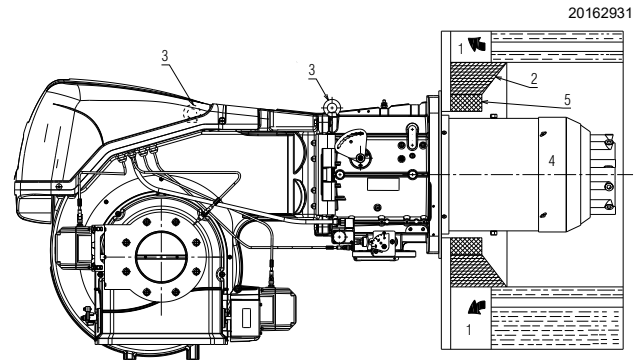
Prepare a suitable lifting system using rings 3)(Fig. 13).

- Fit the heat insulation supplied onto the blast tube 4)(Fig. 13).
- Fit the entire burner onto the boiler hole prepared previously (Fig. 12), and fasten with the screws supplied.



**WARNING**

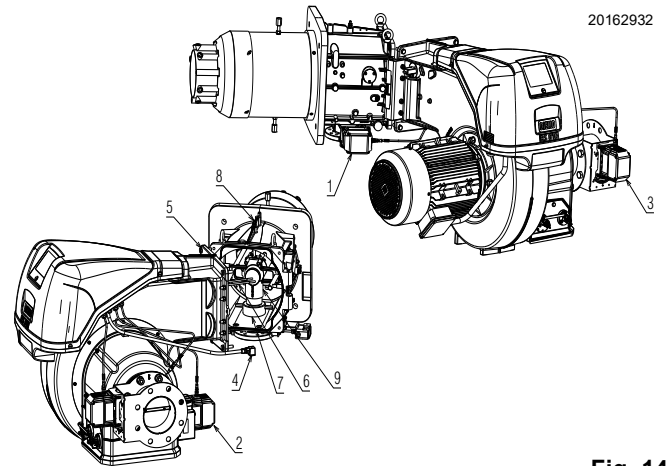
**The seal between burner and boiler must be airtight.**



**Fig. 13**

**4.8 Access to head internal part**

- Disconnect the gas servomotor 1), gas servomotor 2) and FGR servomotor 3).
- Disconnect the socket 4) of the gas pressure switch.
- Remove the 4 fixing screws 5).
- Open the burner on the hinge as in Fig. 14.
- Unhook the probe cables and electrode 6).
- Turn the underneath part of the elbow 7) anticlockwise up to release it from its housing.
- Undo the screw 8) with pressure test point.
- Remove the internal part of the head 9).



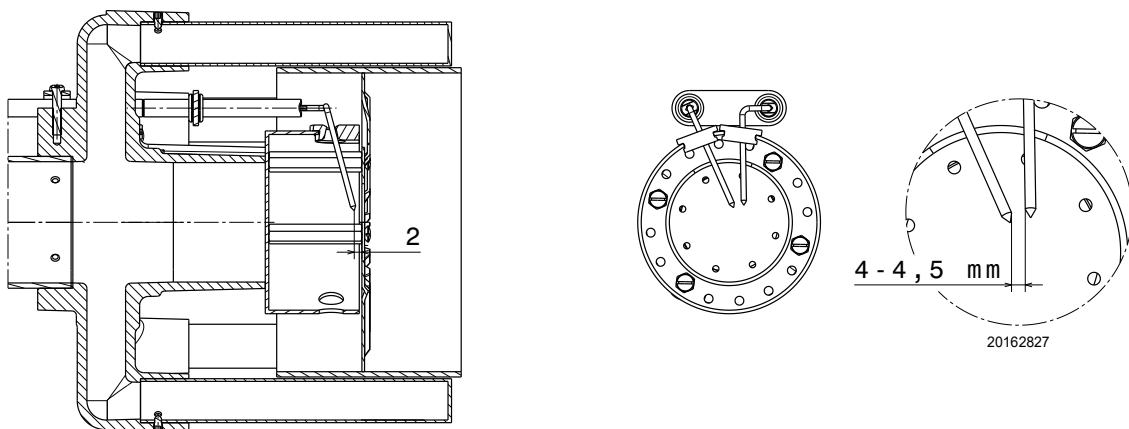
**Fig. 14**

**4.9 Position of electrodes**



**WARNING**

Place the ignition electrodes observing the dimensions specified in Fig. 15.



**Fig. 15**

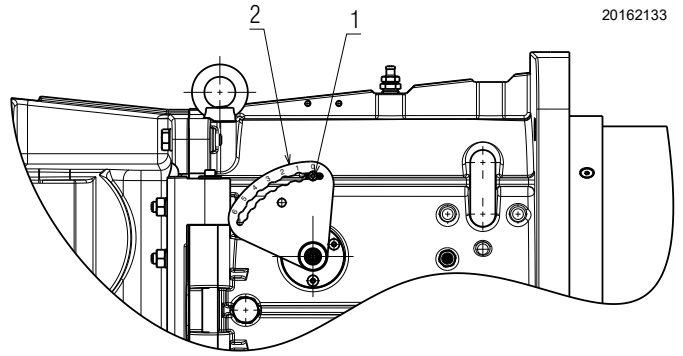
**4.10 Combustion head adjustment**

In order to optimise performance, the burner is equipped with a variable geometry combustion head which operates on the basis of the delivered output.

According to the same rotation of the air servomotor, it is possible to change the combustion head opening by moving the lever 2) (Fig. 16) on the holes (1-2-3-4-5-6), after loosening the screw 1). The choice of the hole (1-2-3-4-5-6) to use is based on the following table, according to the required output.

These output values may not match with the actual values as the combustion conditions change according to the plant.

The factory regulation corresponds to the minimum output (coupling position: 1).

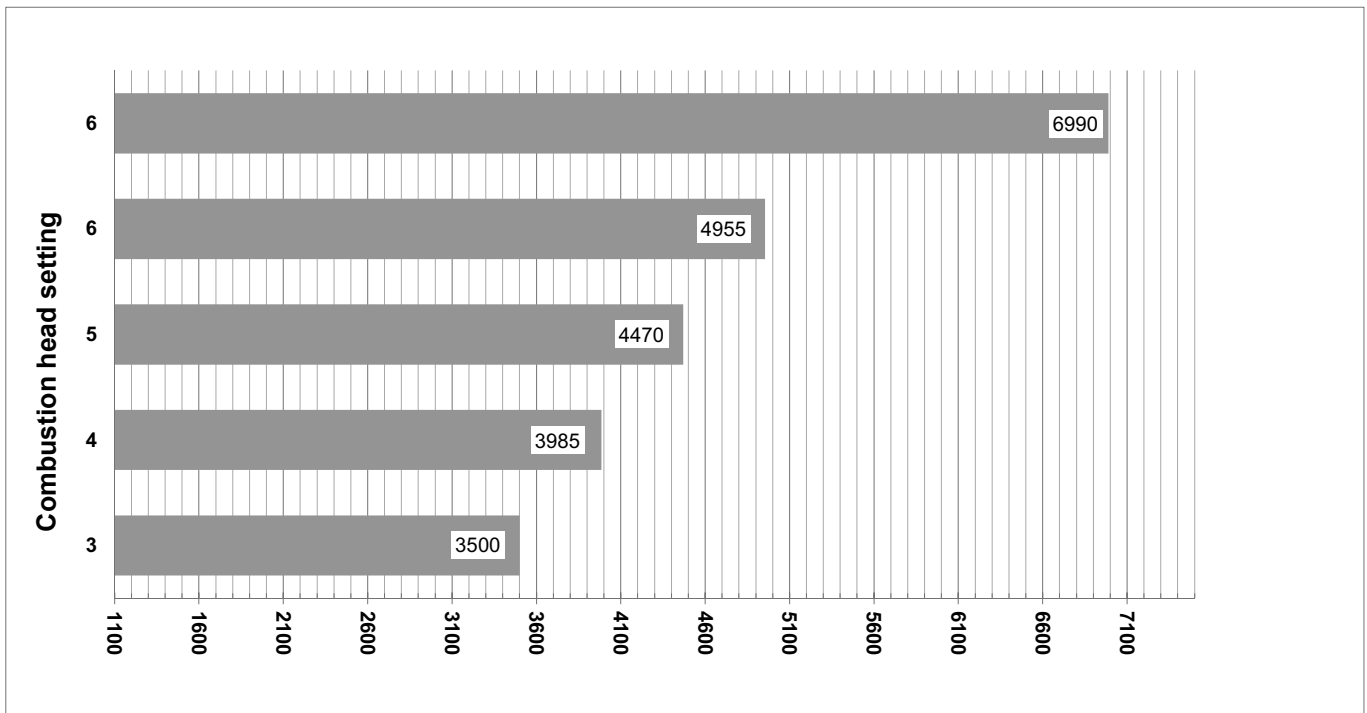


20162133

**Fig. 16**

Coupling position	Output (kW)
3	3500
4	3985
5	4470
6	4955
6	6990

**Tab. I**



20166306

**Fig. 17**

**4.11 FGR duct system**

- Normally the duct would connect to the stack as shown in Fig. 18, with a 45° cut facing the flue gas flow and with the centre of the cut centred in the stack. The duct could be made to the smoke box, but must still be located with the same 45° cut facing the flue gas flow stream and with the centre of the cut in the centre of the stream.
- The duct should be routed in a manner that has the minimum number of elbows and provides for the normal expansion and contraction of the piping. Long duct runs can change length by over 1" and can put an extreme load on the connecting points that could cause component failures. The design must include offsets that will allow for the required movement of the piping without undue force on the burner or stack.
- Duct expansion and contraction can be managed by using two relatively long duct runs that are 90° opposed to each other. A small movement in the angle between these two legs will provide the space needed to absorb the expansion and contraction. The ends of the FGR duct must be securely attached to allow this to work properly, and prevent high loads from being applied to the burner or stack.

- A condensation drip leg must be provided upstream of the FGR control valve and the FGR shut off valve (if used). There must be sufficient condensate drip legs and catch space (volume of drip legs) to prevent the condensation from flowing through the control valves and into the fan. In cases of heavy condensation, a condensate drip leg may be required on the bottom of the housing, to remove condensate.
- Determine if pipe reducers are needed for the connection to the FGR control valve and the FGR shut off valve.
- The duct must be properly supported, handling both the weight of the duct and to control the thermal expansion and contraction. The supports may need to be anchored to provide this stability in the FGR duct.

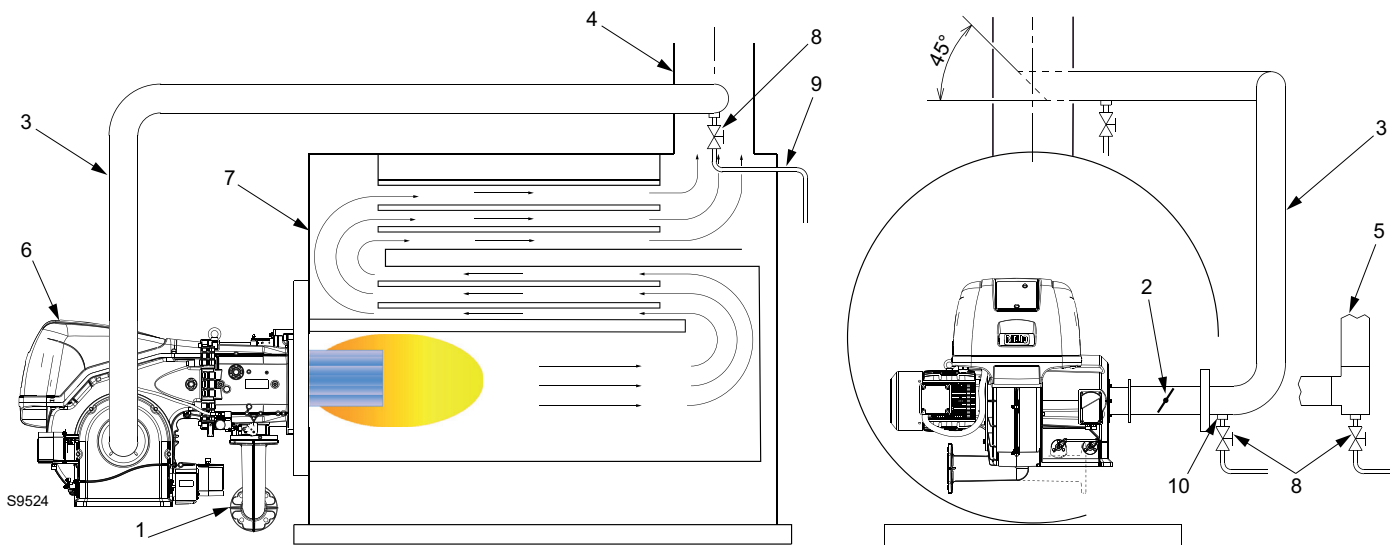


Uncontrolled condensation can cause premature failure of the control valves, fan and motor.

Adequate means must be provided to remove condensation from the system.

Cold start-up will generate significant amounts of condensation.

- The duct components must be seal welded, flanged or screwed together to provide an air tight duct. Air leakage into the duct will prevent the system from working properly. It is sufficient to only inspect the welds for a proper seal, they do not need to be leak tested.



**Fig. 18**

**Key (Fig. 18)**

- 1 Primary gas supply inlet
- 2 Induced FGR modulating damper



Wait for the components in contact with heat sources to cool down completely.

- 3 Flue gas recirculation pipe
- 4 Boiler stack
- 5 Alternate Construction Using "T"
- 6 Burner
- 7 Boiler
- 8 Drain Valve (Manual Ball Valve, Stainless Steel)
- 9 Drain line
- 10 Condensate Trap

### 4.11.1 Flue gas recirculation line sizing

The Tab. J can be helpful to correctly size the FGR pipes taking flue gases from boiler stack base up to the burner intake port.

Maximum allowed pipe length (considering smooth steel pipes) is specified for every burner and pipe diameter.

To prepare the Tab. J a flue gas maximum temperature of 260°C was considered.

FGR pipe	Diameter	Length (m)
RS 810/E FGR	8"	61

Tab. J

To account for the flow resistance at 90° elbows of the flue gas circuit, the following equivalent straight pipe length values can be considered, and shall be deducted from the maximum pipe length values indicated in Tab. J to obtain the maximum length of FGR pipe development in the considered instance:

Diameter	Pipe fittings	
	90° elbow (m)	45° elbow (m)
8"	6.1	3.3

Tab. K

### 4.11.2 Calculating the percentage of recirculated flue gas

As a general rule, recirculated flue gas quantity must be adjusted so as to recirculate the smallest quantity necessary to obtain the required NOx rate.

Adjustment is carried out through the throttle valve located on FGR pipe. It is necessary to consider that too high a quantity of recirculated flue gas could lead to flame instability and excessively high CO rate.

To calculate the % of recirculated flue gas, use the formula below:  $\% \text{IFGR} = (\text{CO}_2 \text{ R}) / (\text{CO}_2 \text{ f}) \times 100$ .

Where:

- (CO<sub>2</sub> R) is the percentage of CO<sub>2</sub> measured at the burner coupling
- (CO<sub>2</sub> f) is the percentage of CO<sub>2</sub> measured at the stack

**4.12 Gas feeding**



Explosion danger due to fuel leaks in the presence of a flammable source.

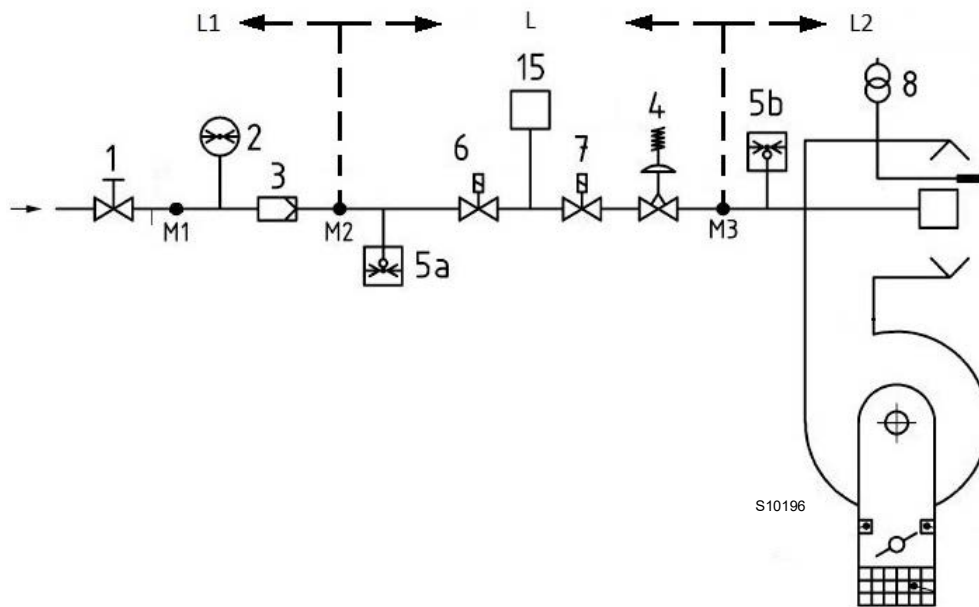
Precautions: avoid knocking, attrition, sparks and heat.

Make sure that the fuel interception tap is closed before performing any operation on the burner.



The fuel supply line must be installed by qualified personnel, in compliance with current standards and laws.

**4.12.1 Gas feeding line (Example) - Please refer to the gas train documentation for more information**



**Fig. 19**

Key (Fig. 19)

- 1 Manually operated shut-off valve
- 2 Pressure gauge
- 3 Filter
- 4 Governor
- 5a Low pressure protection device
- 5b Maximum gas pressure switch
- 6 1st safety shut-off device
- 7 2nd safety shut-off device
- 8 Ignition device
- 15 Valve leak detection control system
- L Gas train (supplied separately)
- L1 Responsibility of the installer
- L2 Burner
- M1 Pressure test point
- M2 Pressure test point
- M3 Pressure test point

### 4.12.2 Gas train

Approved according to standard EN 676 and provided separately from the burner.



Beware of train movements: danger of crushing of limbs.

### 4.12.3 Gas train installation



Disconnect the electrical power using the main system switch.



Check that there are no gas leaks.



Make sure that the gas train is properly installed by checking for any fuel leaks.



The operator must use appropriate tools for installation.

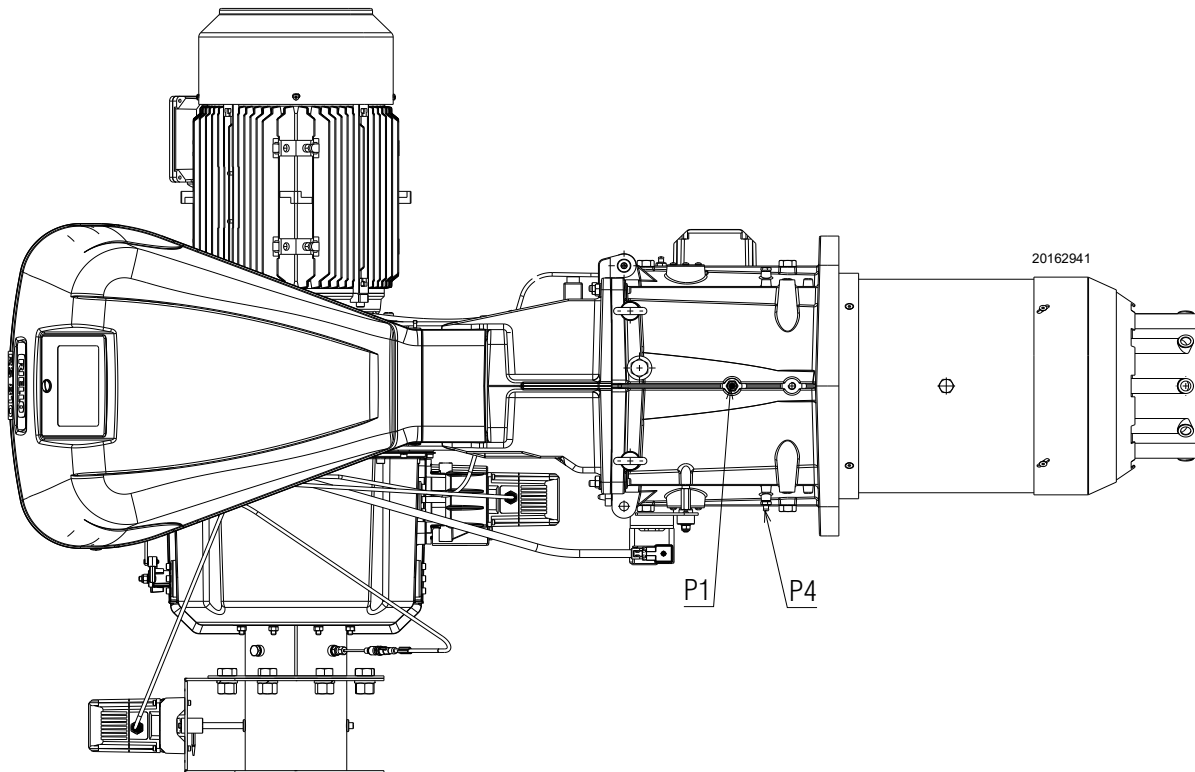


Fig. 20

**4.12.4 Gas pressure**

Tab. L indicates the minimum pressure drops along the gas supply line, depending on the maximum burner output.

The values shown in Tab. L refer to:

- Natural gas G 20 NCV 9.45 kWh/Sm<sup>3</sup> (8.2 Mcal/Sm<sup>3</sup>)

Column 1

Pressure drop on combustion head.

Gas pressure measured at the test point P1) (Fig. 20), with:

- Combustion chamber at 0 mbar;
- Burner working at maximum output;
- Combustion head adjusted as in page 20.

Column 2

Pressure loss at gas butterfly valve with maximum opening: 90°.

Calculate the approximate maximum output of the burner in this way:

- subtract the combustion chamber pressure from the gas pressure measured at test point P1) (Fig. 20).
- Find, in the table Tab. L related to the burner concerned, the pressure value closest to the result of the subtraction.
- read the corresponding output on the left.

**Example with G20 natural gas:**

Maximum output operation

$$\begin{aligned} \text{Gas pressure at test point P1)(Fig. 20)} &= 43.7 \text{ mbar} \\ \text{Pressure in combustion chamber} &= 2 \text{ mbar} \\ 43.7 - 2 &= 41.7 \text{ mbar} \end{aligned}$$

A pressure of 41.7 mbar, column 1, corresponds in the table Tab. L to an output of 5250 kW.

This value serves as a rough guide; the effective output must be measured at the gas meter.

To calculate the required gas pressure at test point P1) (Fig. 20), set the MAX output required from the burner operation:

- find the nearest output value in the table Tab. L for the burner in question.
- read, on the right (column 1), the pressure at the test point P1)(Fig. 20).
- Add this value to the estimated pressure in the combustion chamber.

**Example with G20 natural gas:**

Required burner maximum output operation: 5250 kW

$$\begin{aligned} \text{Gas pressure at an output of 5250 kW} &= 41.7 \text{ mbar} \\ \text{Pressure in combustion chamber} &= 2 \text{ mbar} \\ 41.7 + 2 &= 43.7 \text{ mbar} \end{aligned}$$

Pressure required at test point P1)(Fig. 20).

kW	1 Δp (mbar)	
	G 20	G 20
3500	18.4	0.4
3850	22.4	0.5
4200	26.7	0.7
4550	31.3	0.8
4900	36.3	0.9
5250	41.7	1.1
5600	47.5	1.2
6050	55.5	1.4
6300	60.1	1.9
6650	67.2	2.1
7990	74.2	2.2

**0% Flue gas recirculation**

**Tab. L**



**The heat output and gas pressure data in the head refer to operation with gas butterfly valve fully open (90°).**

## 4.13 Electrical wiring

## Notes on safety for the electrical wiring



- The electrical wiring must be carried out with the electrical supply disconnected.
- Electrical wiring must be made in accordance with the regulations currently in force in the country of destination and by qualified personnel. Refer to the wiring diagrams.
- The manufacturer declines all responsibility for modifications or connections different from those shown in the wiring diagrams.
- Check that the electrical supply of the burner corresponds to that shown on the identification label and in this manual.
- The burners equipped with LMV5... can operate in FS1 or FS2 mode. See specific manual LMV5... for continuous/intermittent operation. Refer to the following notes for the type of operation that has been set.
- The FS1 burners have been set for intermittent operation. This means that the burner should compulsorily be stopped at least once every 24 hours to enable the flame control to check its own safety and efficiency at start-up. Normally the boiler's thermostat/pressure switch ensures that the burner stops. If this is not the case, a time switch should be fitted in series to TL to stop the FS1 burner at least once every 24 hours. Refer to the wiring diagrams.
- The FS2 burners have been set for continuous operation. This means that the burner should compulsorily be stopped at least once every 72 hours to enable the flame control to check its own safety and efficiency at start-up. Normally, burner stopping is guaranteed by the boiler's thermostat/pressure switch. If this is not the case, a time switch should be fitted in series to TL to stop the FS2 burner at least once every 72 hours. Refer to the wiring diagrams.
- The electrical safety of the device is obtained only when it is correctly connected to an efficient earthing system, made according to current standards. It is necessary to check this fundamental safety requirement. In the event of doubt, have the electrical system checked by qualified personnel. Do not use the gas tubes as an earthing system for electrical devices.
- The electrical system must be suitable for the maximum power absorption of the device, as indicated on the label and in the manual, checking in particular that the section of the cables is suitable for that level of power absorption.
- For the main power supply of the device from the electricity mains:
  - do not use adapters, multiple sockets or extensions;
  - use a multiple pole switch with at least a 3 mm gap between the contacts (overvoltage category III), as envisaged by the present safety standards.
- Do not touch the device with wet or damp body parts and/or in bare feet.
- Do not pull the electric cables.
- Check the electric wiring inside the boiler complies with the national and local safety regulations.
- Live and neutral should not be mixed up (this could cause dangerous malfunctions, a loss of protection against electric shocks, etc..).
- Make sure the cable grommets of the connected cables comply with the relevant standards (e.g. EN60730 and EN60 335).
- When wiring the unit, make sure that AC 230V mains voltage cables are run strictly separate from extra low-voltage cables to avoid risks of electrical shock hazard.

Before carrying out any maintenance, cleaning or checking operations:



Disconnect the electrical supply from the burner by means of the main system switch.



Turn off the fuel interception tap.



Avoid condensate, ice and water leaks from forming.

If the cover is still present, remove it and proceed with the electrical wiring according to the wiring diagrams.

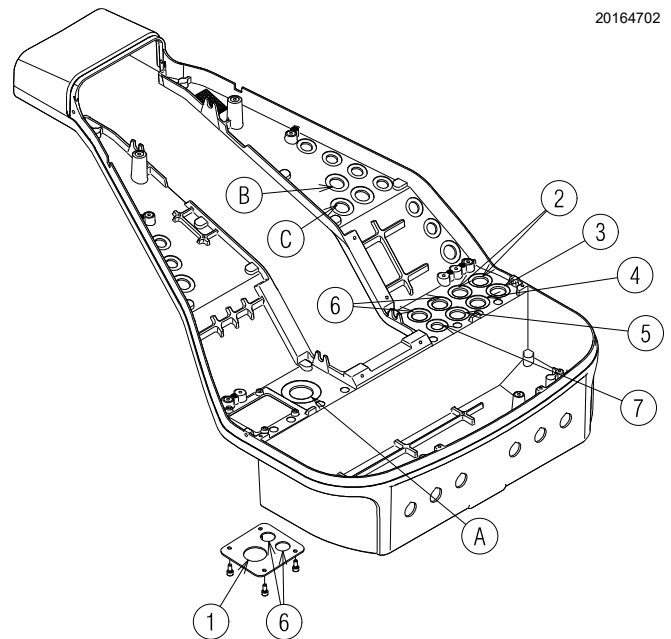
Use flexible cables in compliance with the EN 60 335-1 standard.

#### 4.13.1 Supply cables and external connections passage

All the cables to be connected to the burner must be threaded through cable grommets. The use of the cable grommets can take various forms; by way of example see Fig. 21.

Key (Fig. 21)

- 1 Electrical supply - Bore for M32
  - 2 Consents and safety devices - Bore for M20
  - 3 Minimum gas pressure switch - Bore for M20
  - 4 VPS gas valve leak detection control kit- Bore for M20
  - 5 Gas train - Bore for M20
  - 6 Available - Bore for M20
  - 7 Available - Bore for M16
- A Fan motor
  - B Maximum gas pressure switch
  - C Servomotors



20164702

**Fig. 21**



After carrying out maintenance, cleaning or checking operations, reassemble the cover and all the safety and protection devices of the burner.

**5 Start-up, calibration and operation of the burner**

**5.1 Notes on safety for the first start-up**



The first start-up of the burner must be carried out by qualified personnel, as indicated in this manual and in compliance with the standards and regulations of the laws in force.



**Before igniting the burner, see the paragraph “Safety test - with gas ball valve closed” on page 34.**



Check the correct working of the adjustment, command and safety devices.

**5.2 Adjustments prior to ignition**

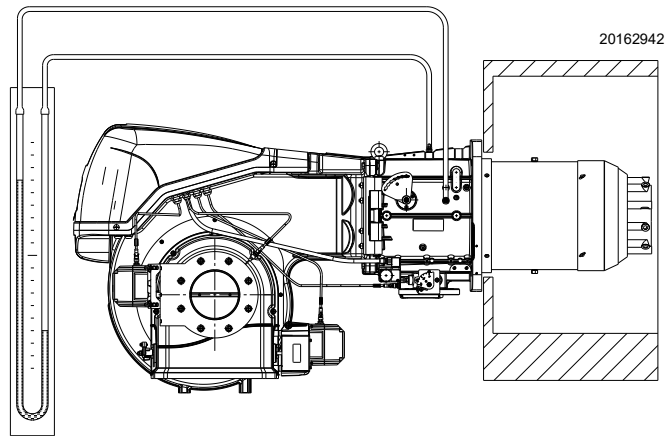
Combustion head adjustment is already described on page 20.

In addition, the following adjustments must also be made:

- Open manual valves up-line from the gas train.
- Adjust the minimum gas pressure switch to the start of the scale.
- Adjust the maximum gas pressure switch to the end of the scale.
- Adjust the air pressure switch to the start of the scale.
- Purge the air from the gas line. We recommend using a plastic tube routed outside the building and to purge air until gas is smelt.
- Fit a U-type pressure gauge or a differential pressure gauge (Fig. 22), with socket (+) on the gas pressure of the pipe coupling and (-) in the combustion chamber. The manometer readings are used to calculate MAX burner output using the Tab. L.
- Connect two lamps or testers to the two gas line solenoids to check the exact moment in which voltage is supplied. This operation is unnecessary if each of the two solenoids is equipped with a pilot light that signals voltage passing through.



Before starting up the burner, it is good practice to adjust the gas train so that ignition takes place in conditions of maximum safety, i.e. with gas delivery at the minimum.



**Fig. 22**

## 5.3 Burner start-up

Feed electricity to the burner via the disconnecting switch on the boiler panel.

Close the thermostats/pressure switches.

Turn the switch to position “**AUTO**” (Fig. 23).



Make sure that the lamps or testers connected to the solenoids, or indicator lights on the solenoids themselves, show that no voltage is present. If voltage is present, stop the burner **immediately** and check the electrical wiring. When the burner starts, check the direction of the motor rotation, as indicated in Fig. 23.

As the burner is not fitted with a device to check the sequence of the phases, the motor rotation may be incorrect. As soon as the burner starts up, go in front of the cooling fan of the fan motor and check it is rotating anticlockwise.

If this is not the case:

- place the switch of Fig. 23 in position “**0**” and wait for the flame control to carry out the switch-off phase;
- disconnect the electrical supply from the burner;

invert the phases on the three-phase power supply.

Once the above steps are complete, the burner should light.

If the motor starts up, but the flame does not appear and the flame control goes into lockout, reset it and wait for a new ignition attempt.

If ignition is still not achieved, it may be that gas is not reaching the combustion head within the safety time period of 3 seconds. In this case increase gas ignition delivery.

The arrival of gas at the pipe coupling is indicated by the U-type pressure gauge (Fig. 22).

If further burner lockouts occur, refer to the “Release procedure” given in the equipment manual supplied.



In the event of a burner lockout, more than two consecutive burner reset operations could cause damage to the installation. On the third lockout, contact the Aftersales Service.



If further lockouts or burner faults occur, interventions must only be made by qualified, authorised personnel (as indicated in this manual, and in compliance with the laws and regulations currently in force).

Once the burner has ignited, proceed with the global adjustment of the burner.

Further interfaces and communication functions with computers, for remote control or integration in central supervision systems are available on the basis of the configuration of the system.

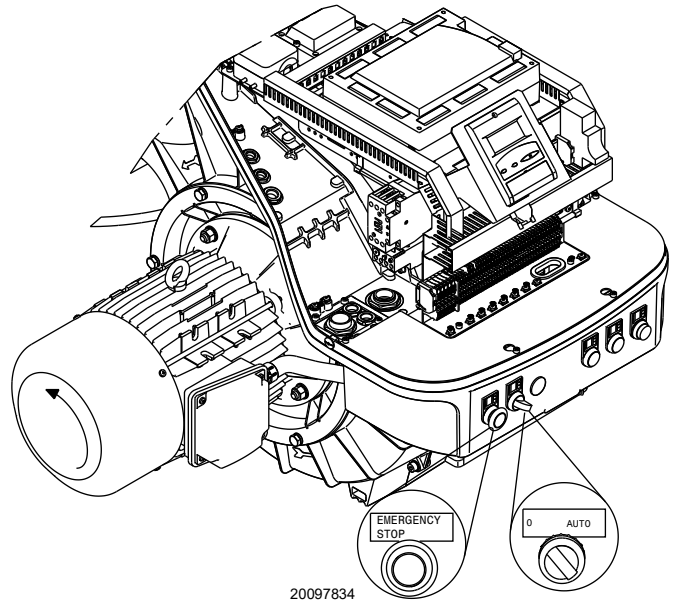


Fig. 23



The first start up and every further internal setting operation of the adjustment system or the expansion of the base functions require access by means of password and are to be carried out by service personnel who are especially trained for the internal programming of the instrument and the specific application created with this burner.

The first start-up and curve synchronisation manual is supplied with the burner.

At request, the complete manual for the control and setting of all parameters is available.

## 5.4 FGR commissioning

The flue gas recirculation (FGR) function is used to reduce the NOx content of flue gases. This is accomplished by feeding a certain proportion of the flue gas back to the combustion chamber, causing the flame's temperature to drop. The amount of recirculated flue gas is set via auxiliary actuator 3.



When making the setting, it must be observed that excessive amounts of recirculated flue gas can cause the flame to lift off the burner's head (stability limit of flame).

### NOTE:

#### Reduction of maximum burner output

Use of the flue gas recirculation (FGR) function or the flue gas mass introduced to the supply air duct might lower the burner's maximum output.

This means that the maximum amount of combustion air that can be introduced will be reduced.

Hence, the amount of fuel for high-fire operation must be reduced to ensure correct combustion values.

The flame control supports flue gas recirculation (FGR) function: flue gas recirculation (FGR) without temperature compensation (operating mode flue gas recirculation (FGR) = time or temperature).

With these operating principles, the positions of auxiliary actuator 3 can only change between CLOSED (ignition position) and the positions on the ratio control curves.

#### First time set up

Commission the plant with no influence from flue gas recirculation (FGR).

Factory preset: FGR-Mode = AUX3onCurve

Flue gas recirculation (FGR) function is deactivated.

(Auxiliary actuator 3 is driven along its parameterized ratio control curve)

This enables the fuel-air ratio control system to be set as if the plant operated without flue gas recirculation (FGR).

For that purpose, in flue gas recirculation (FGR) mode Time, set the switch-on time to its maximum or parameterize it at such a level that auxiliary actuator 3 will not be positioned until the curve settings become active.

Analogously, in flue gas recirculation (FGR) mode Temperature, set the switch-on temperature to a level that cannot be reached.

After completing the settings of the fuel-air ratio control curves without flue gas recirculation (FGR), the actual settings with an active auxiliary actuator 3 can now be made.

Since this might have an impact on the combustion settings, the fuel- and air-regulating actuators may have to be readjusted.

#### First time FGR set up

Modify the factory preset: FGR-Mode = time (Auxiliary actuator 3 is held in the ignition position until an adjustable time is reached).

We suggest to use a value from 5-15 minutes for first time FGR commissioning.

Check value of temperature of flue gas recirculation (FGR). It must be 120-130 °C to reduce condensation in burner or intake duct.

#### Operation FGR set up

Modify the factory preset: FGR-Mode = temperature (Auxiliary actuator 3 is held in the ignition position until an adjustable temperature is reached.).

After first time FGR commissioning, we suggest to use this setting using a temperature sensor in FGR duct.

We suggest to use previous value of temperature measured during first time commissioning.

In case of use the FGR-Mode = time, make sure that the flue gas temperature reaches the value within the set time.

#### FGR temperature sensor

FGR-Mode: PT 1000 temperature probe is connect to X1 terminal board (see electrical connection)

You can connect 2 probes in X1 terminal board together:

Factory pre-set:

PT100 for boiler temperature (customer installation)

PT1000 for FGR-sensor (already connected)



You can't use PT1000 probe for boiler temperature when it's used as FGR sensor. But you can use other type of connection.



Check air temperature where is mounted flame sensor.

If temperature is more than 50-60°, it's mandatory air cooling using burner air-intake.



While burner is working with FGR, it's possible reach high surface temperature.

## 5.5 Air / fuel adjustment

Air/fuel synchronisation is carried out with the relevant air and gas servomotors by logging a calibration curve by using the electronic cam.

It is advisable, to reduce the loss and for a wide calibration field, to adjust the servomotors to the maximum of the output used, the nearest possible to the maximum opening (90°).

The choking of the air, taking into account the maximum combustion output, takes place by varying the adjustment of the combustion head (See "Combustion head adjustment" on page 20.).

On the gas butterfly valve, the fuel step according to the burner output required, with servomotor completely open, is carried out by the pressure stabiliser on the gas train.

### 5.5.1 Air adjustment for maximum output

- Adjust the servomotor to maximum opening (nearly 90°) so that the air butterfly valves are entirely open.

### 5.5.2 Air/fuel adjustment and output modulation system

The air/gas regulator and output modulation system equipping **RS/E** series burners performs a number of integrated functions to optimise burner function, in both individual installations and in combination with other units (e.g. double furnace boiler or multiple heat generators in parallel).

The basic system functions control:

- 1 The dosage of the air and fuel through positioning using direct servocommands of the relevant valves eliminating the possible play in the calibration systems with mechanical cam lever mechanisms, used on traditional modulating burners.
- 2 The modulation of the burner output in accordance with the load required by the system, with maintenance of the pressure or temperature of the boiler at the operating values set.
- 3 The sequence (cascade adjustment) of more than one boiler through the suitable connection of the various units and the activation of the internal software of the individual systems (option).

Further interfaces and communication functions with computers, for remote control or integration in central supervision systems are available on the basis of the configuration of the system.



**WARNING**

The first start up and every further internal setting operation of the adjustment system or the expansion of the base functions require access by means of password and are to be carried out by service personnel who are especially trained for the internal programming of the instrument and the specific application created with this burner.

### 5.5.3 Burner adjustment

The optimum adjustment of the burner requires an analysis of flue gases at the boiler outlet.

Adjust in sequence:

- 1 - Output upon ignition
- 2 - MAX output
- 3 - MIN output
- 4 - Intermediate outputs between Min. and Max.
- 5 - Air pressure switch
- 6 - Maximum gas pressure switch
- 7 - Minimum gas pressure switch

### 5.5.4 Output upon ignition



**WARNING**

For safety purposes and correct product operation, the ignition output, if it is adjustable, must be carried out by authorized personnel and in compliance with the standards and regulations of the laws in force.

### Air adjustment

The air is adjusted by varying the angle of the air damper 15)(Fig. 4 on page 11) by changing the air servomotor degrees inside the programme of the electronic cam.

### 5.5.5 Maximum output

The MAX output must be set within the firing rate indicated in Fig. 2 on page 9.

### Adjustment of gas delivery

Measure the gas delivery on the gas meter.

A rough indication can be obtained from Tab. L on page 25, just read the gas pressure on the "U" pressure gauge (see Fig. 22 on page 28) and follow the indications.

- If delivery needs to be reduced, diminish outlet gas pressure; if it is already very low, slightly close the VR adjustment valve.
- If delivery needs to be increased, increase the adjuster outlet gas pressure.

**5.6 Final adjustment of the pressure switches**

**5.6.1 Air pressure switch**

Adjust the air pressure switch (Fig. 24) after performing all other burner adjustments with the air pressure switch set to the start of the scale.

With the burner operating at minimum output, insert a combustion analyser in the stack, slowly close the suction inlet of the fan (for example, with a piece of cardboard) until the CO value does not exceed 100 ppm.

Slowly turn the appropriate knob clockwise until the burner goes into lockout.

Check the indication of the arrow pointing upwards on the graduated scale. Turn the knob clockwise again, until the value shown on the graduated scale corresponds with the arrow pointing downwards, and so recovering the hysteresis of the pressure switch (shown by the white mark on a blue background, between the two arrows).

Now check the correct start-up of the burner. If the burner locks out again, turn the knob anti-clockwise a little bit more. During these operations it may be useful to measure the air pressure with a pressure gauge.

The connection of the pressure gauge is shown in Fig. 24. The standard configuration is that with the air pressure switch connected in absolute mode. Note the presence of a "T" connection, not supplied.

In certain applications in strong depression situations, the connection of the pressure switch does not allow it to change over. In this case it is necessary to connect the pressure switch in differential mode, applying a second tube between the air pressure switch and the fan suction line mouth.

In this case also, the pressure gauge must be connected in differential mode, as shown in Fig. 24.

On **RS 810/E FGR** burners the air pressure switch is fitted in an "absolute" mode, that is, connected only to the pressure test point "+" 24)(Fig. 4 on page 11).



Connecting the air pressure switch in differential mode, the burner will no longer be certified according to the EN 676 standard.

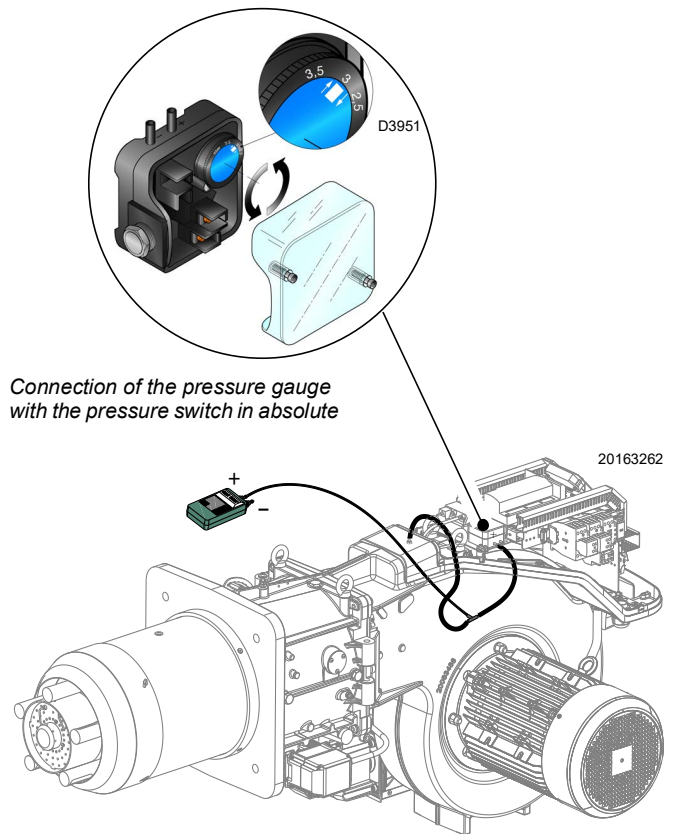
**5.6.2 Maximum gas pressure switch**

Adjust the maximum gas pressure switch (Fig. 25) after making all other burner adjustments with the maximum gas pressure switch set to the end of the scale.

To calibrate the maximum gas pressure switch, open the tap and then connect a pressure gauge to its pressure test point.

The maximum gas pressure switch must be regulated to a value no higher than 30% of the measurement read on the gauge when the burner is working at maximum output.

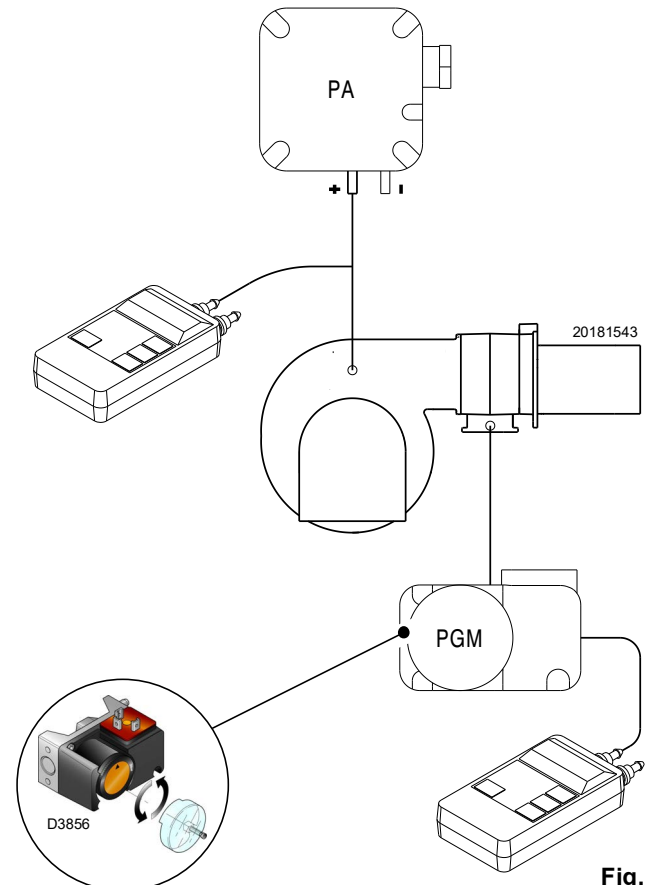
After making the adjustment, remove the pressure gauge and close the tap.



Connection of the pressure gauge with the pressure switch in absolute

20163262

**Fig. 24**



**Fig. 25**

### 5.6.3 Minimum gas pressure switch

The purpose of the minimum gas pressure switch is to prevent the burner from operating in an unsuitable way due to too low gas pressure.

Adjust the minimum gas pressure switch (Fig. 26) after having adjusted the burner, the gas valves and the gas train stabiliser. With the burner operating at maximum output:

- install a pressure gauge downstream of the gas train stabiliser (for example at the gas pressure test point on the burner combustion head);
- choke slowly the manual gas cock until the pressure gauge detects a decrease in the pressure read of about 0.1 kPa (1 mbar). In this phase, verify the CO value which must always be less than 100 mg/kWh (93 ppm).
- Increase the adjustment of the gas pressure switch until it intervenes, causing the burner shutdown;
- remove the pressure gauge and close the cock of the gas pressure test point used for the measurement;
- open completely the manual gas cock.

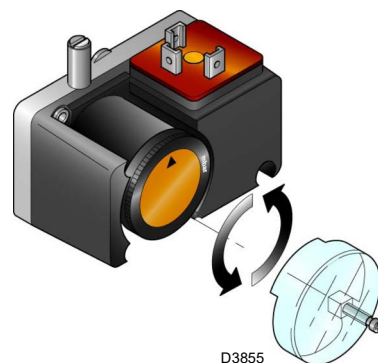


Fig. 26

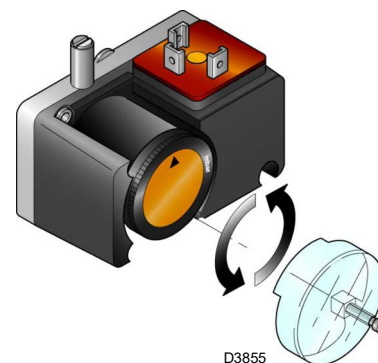


Fig. 27



1 kPa = 10 mbar

**WARNING**

### 5.6.4 PVP pressure switch kit

Adjust the pressure switch for the leak detection control (PVP kit) (Fig. 27) according to the instructions supplied with the kit.

## 5.7 Final checks (with burner operating)

<ul style="list-style-type: none"> <li>➤ Open the thermostat/pressure switch TL</li> <li>➤ Open the thermostat/pressure switch TS</li> </ul>	➡	The burner must stop
<ul style="list-style-type: none"> <li>➤ Turn the gas maximum pressure switch knob to the minimum end of scale position</li> <li>➤ Turn the air pressure switch knob to the maximum end of scale position</li> </ul>	➡	The burner must stop in lockout
<ul style="list-style-type: none"> <li>➤ Turn off the burner and cut off the power</li> <li>➤ Disconnect the minimum gas pressure switch connector</li> </ul>	➡	The burner must not start
<ul style="list-style-type: none"> <li>➤ Darken the flame sensor</li> </ul>	➡	The burner must stop in lockout due to ignition failure

Tab. M



Make sure that the mechanical locking systems on the various adjustment devices are fully tightened.

**WARNING**

**6 Maintenance**

**6.1 Notes on safety for the maintenance**

The periodic maintenance is essential for the good operation, safety, yield and duration of the burner.

It allows you to reduce consumption and polluting emissions and to keep the product in a reliable state over time.



The maintenance interventions and the calibration of the burner must only be carried out by qualified, authorised personnel, in accordance with the contents of this manual and in compliance with the standards and regulations of current laws.

Before carrying out any maintenance, cleaning or checking operations:



Disconnect the electrical supply from the burner by means of the main system switch.



Turn off the fuel interception tap.



Wait for the components in contact with heat sources to cool down completely.

**6.2 Maintenance programme**

**6.2.1 Maintenance frequency**



The gas combustion system should be checked at least once a year by a representative of the manufacturer or another specialised technician.

**6.2.2 Safety test - with gas ball valve closed**

It is fundamental to ensure the correct execution of the electrical connections between the gas solenoid valves and the burner to perform safely the commissioning.

For this purpose, after checking that the connections have been carried out in accordance with the burner's electrical diagrams, an ignition cycle with closed gas ball valve -dry test- must be performed.

- 1 The manual ball gas valve must be closed
- 2 The electrical contacts of the burner limit switch need to be closed
- 3 Ensures closed the contact of the low gas pressure switch
- 4 Make a trial for burner ignition

The start-up cycle must be as follows:

- Starting the fan for pre-ventilation
- Performing the gas valve seal control, if provided
- Completion of pre-ventilation
- Arrival of the ignition point
- Power supply of the ignition transformer
- Electrical Supply of solenoid gas valves

Since the manual gas ball valve is closed, the burner will not light up and its flame control will go to a safety lockout condition.

The actual electrical supply of the solenoid gas valves can be verified by inserting a tester. Some valves are equipped with light signals (or close/open position indicator) that turn on at the same time as their power supply.



**IF THE ELECTRICAL SUPPLY OF THE GAS VALVES OCCURS AT UNEXPECTED TIMES, DO NOT OPEN MANUAL GAS BALL VALVE, SWITCH OFF POWER LINE; CHECK THE WIRES; CORRECT THE ERRORS AND REPEAT THE COMPLETE TEST.**

**6.2.3 Checking and cleaning**



The operator must use the required equipment during maintenance.

**Combustion**

The optimum calibration of the burner requires an analysis of the flue gases. Significant differences with respect to the previous measurements indicate the points where most care should be exercised during maintenance.

**Combustion head**

Open the burner and make sure that all components of the combustion head are in good condition, not deformed by the high temperatures, free of impurities from the surroundings and correctly positioned.

**Burner**

Check that there are not excess wear or loosen screws. Clean the outside of the burner.

**Fan**

Check to make sure that no dust has accumulated inside the fan or on its blades, as this condition will cause a reduction in the air flow rate and provoke polluting combustion.

**Boiler**

Clean the boiler as indicated in its accompanying instructions in order to maintain all the original combustion characteristics intact, especially the flue gas temperature and combustion chamber pressure.

**Gas leaks**

Make sure that there are no gas leaks on the pipe between the gas meter and the burner.

**Gas filter**

Change the gas filter when it is dirty.

**Combustion**

If the combustion values measured before starting maintenance do not comply with applicable legislation or do not indicate efficient combustion, consult the or contact our Technical Support Service to implement the necessary adjustments.

It is advisable to set the burner according to the type of gas used and following the indications in .

EN 676		Air excess			
		Max. output $\lambda \leq 1.2$		Min. output $\lambda \leq 1.3$	
GAS	CO <sub>2</sub> theoretical max. 0% O <sub>2</sub>	CO <sub>2</sub> % Calibration		CO	NO <sub>x</sub>
		$\lambda = 1.2$	$\lambda = 1.3$	mg/kWh	mg/kWh
G 20	11.7	9.7	9.0	≤ 100	≤ 170
G 25	11.5	9.5	8.8	≤ 100	≤ 170
G 30	14.0	11.6	10.7	≤ 100	≤ 230
G 31	13.7	11.4	10.5	≤ 100	≤ 230

Tab. N

**6.2.4 QRI flame detector**

In order to reach the flame detector, proceed as follows:

- extract the QRI flame sensor 1)(Fig. 29);
- clean the glass cover from any dust that may have accumulated.

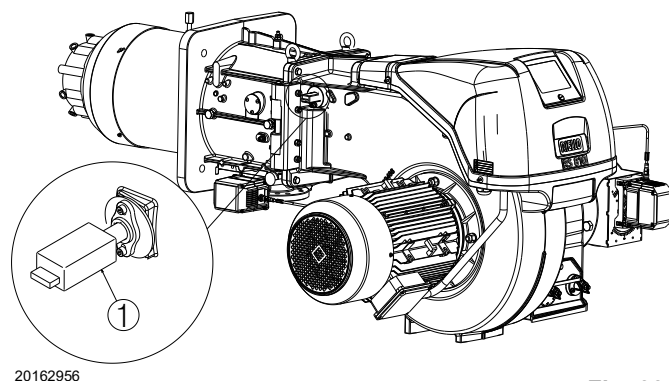


Fig. 28

**6.2.5 Voltage on the QRI sensor**

Minimum value for correct operation: 3.5V DC (value on AZL display at about 50%).

If the value is lower, it could be due to:

- sensor not positioned correctly
- low voltage (lower than 187V)
- bad regulation of the burner

In order to measure, use a voltmeter with a 10V DC scale connected as in the diagram (Fig. 29).

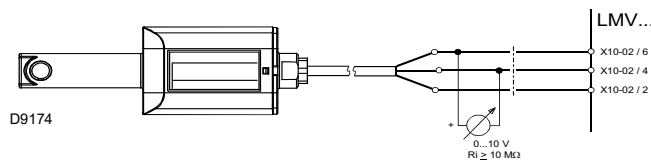


Fig. 29

### 6.2.6 Checking the air and gas pressure on the combustion head

To carry out this operation it is necessary to use a pressure gauge to measure the air and gas pressure at the combustion head, as shown in Fig. 30.

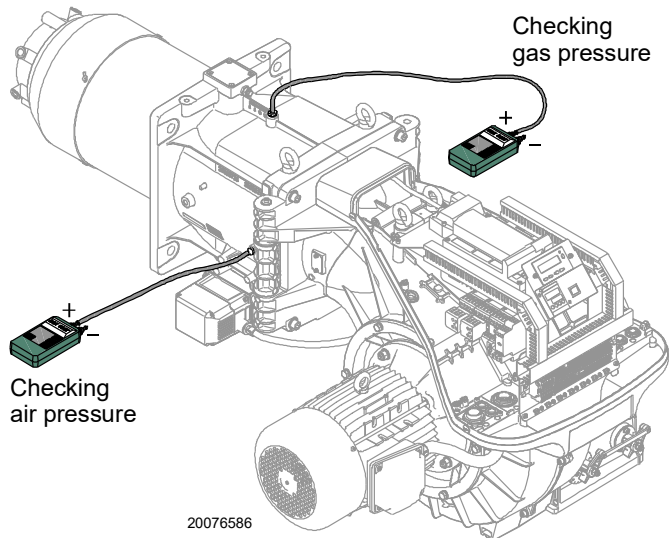


Fig. 30

### 6.2.7 Safety components

The safety components should be replaced at the end of their life cycle indicated in the following table.

The specified life cycles do not refer to the warranty terms indicated in the delivery or payment conditions.

Safety component	Life cycle
Flame control	10 years or 250,000 operation cycles
Flame sensor	10 years or 250,000 operation cycles
Gas valves (solenoid)	10 years or 250,000 operation cycles
Pressure switches	10 years or 250,000 operation cycles
Pressure adjuster	15 years
Servomotor (electronic cam) (if present)	10 years or 250,000 operation cycles
Oil valve (solenoid) (if present)	10 years or 250,000 operation cycles
Oil regulator (if present)	10 years or 250,000 operation cycles
Oil pipes/ couplings (metallic) (if present)	10 years
Fan impeller	10 years or 500,000 start-ups

Tab. O

### 6.3 Opening the burner

---



Disconnect the electrical supply from the burner by means of the main system switch.



Wait for the components in contact with heat sources to cool down completely.



Turn off the fuel interception tap.

To open the burner, use the same procedure set out in “Access to head internal part” on page 19.

### 6.4 Closing the burner

---

Refit following the steps described but in reverse order; refit all burner components as they were originally assembled.



After carrying out maintenance, cleaning or checking operations, reassemble the cover and all the safety and protection devices of the burner.

**7** **Faults - Probable causes - Solutions**

If faults arise in ignition or operations, the burner performs a “safety stop”, which is signalled by the red burner lockout LED.

The display visualises alternately the lockout code and the relative diagnostic. To reset the start-up conditions, refer to the “Reset procedure” indicated in the flame control manual supplied.

When the burner starts again, the red LED goes out and the flame control is reset.

**WARNING**

In the event of a burner lockout, more than two consecutive burner reset operations could cause damage to the installation. On the third lockout, contact the Aftersales Service.

**DANGER**

If further lockouts or burner faults occur, interventions must only be made by qualified, authorised personnel (as indicated in this manual, and in compliance with the laws and regulations currently in force).

**A Appendix - Accessories****Kit for modulating operation**

Burner	Probe	Adjustment field	Code
RS 810/E FGR	PT 100 temperature	- 100...+ 500°C	3010110
	4 - 20 mA pressure	0...2.5 bar	3010213
	4 - 20 mA pressure	0...16 bar	3010214
	Pressione 4 - 20 mA	0...25 bar	3090873

**Soundproofing box kit**

Burner	Type	dB(A)	Code
RS 810/E FGR	C7	10	tbd

**Software interface kit**

Burner	Code
RS 810/E FGR	3010388

**PVP kit (Seal control function - See gas train manual)**

Burner	Ramp type	Code
RS 810/E FGR	MB - CB	3010344

**Spacer kit**

Burner	Code
RS 810/E FGR	20008903

**Gas trains in compliance with EN 676**

Please refer to manual.



**WARNING**

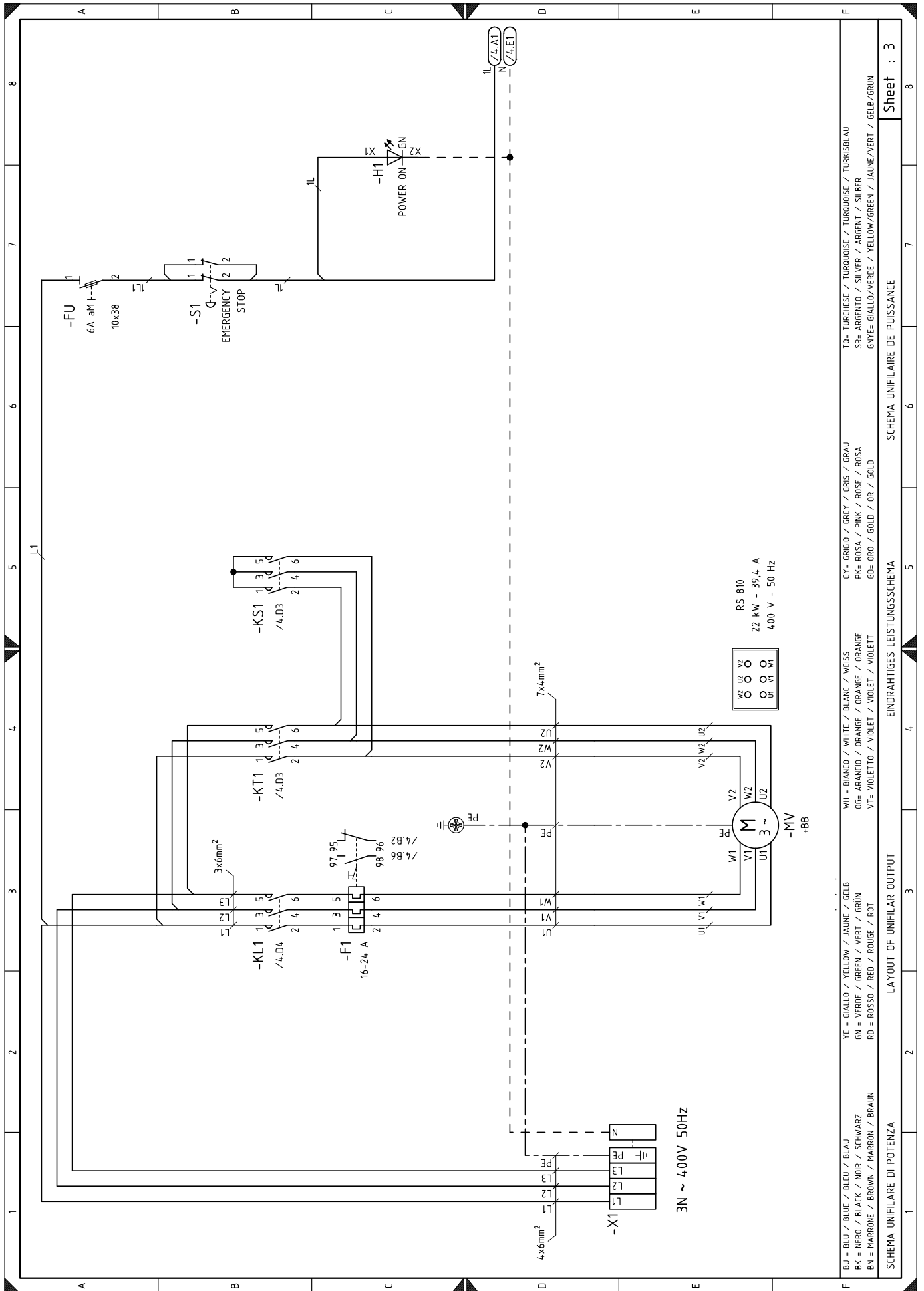
The installer is responsible for the addition of any safety device not foreseen in this manual.

**B Appendix - Electrical panel layout**

<b>1</b>	<b>Index of layouts</b>
<b>2</b>	Indication of references
<b>3</b>	Layout of unifilar output
<b>4</b>	Layout of unifilar output
<b>5</b>	Operational layout
<b>6</b>	Operational layout
<b>7</b>	Operational layout
<b>8</b>	Operational layout
<b>9</b>	Electrical connections set by installer
<b>10</b>	Electrical connections set by installer
<b>11</b>	Electrical connections set by installer

**2 Indication of references**

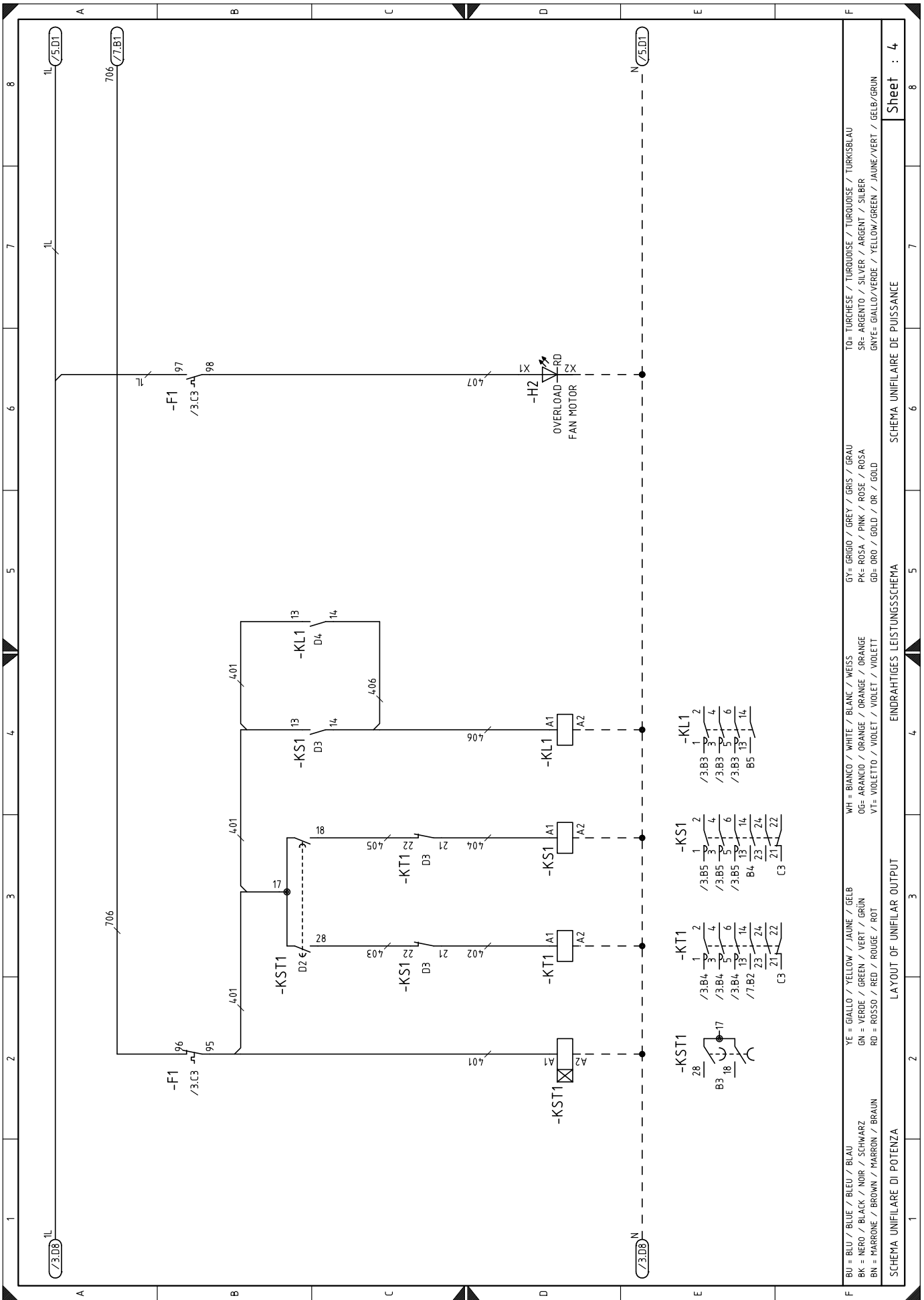


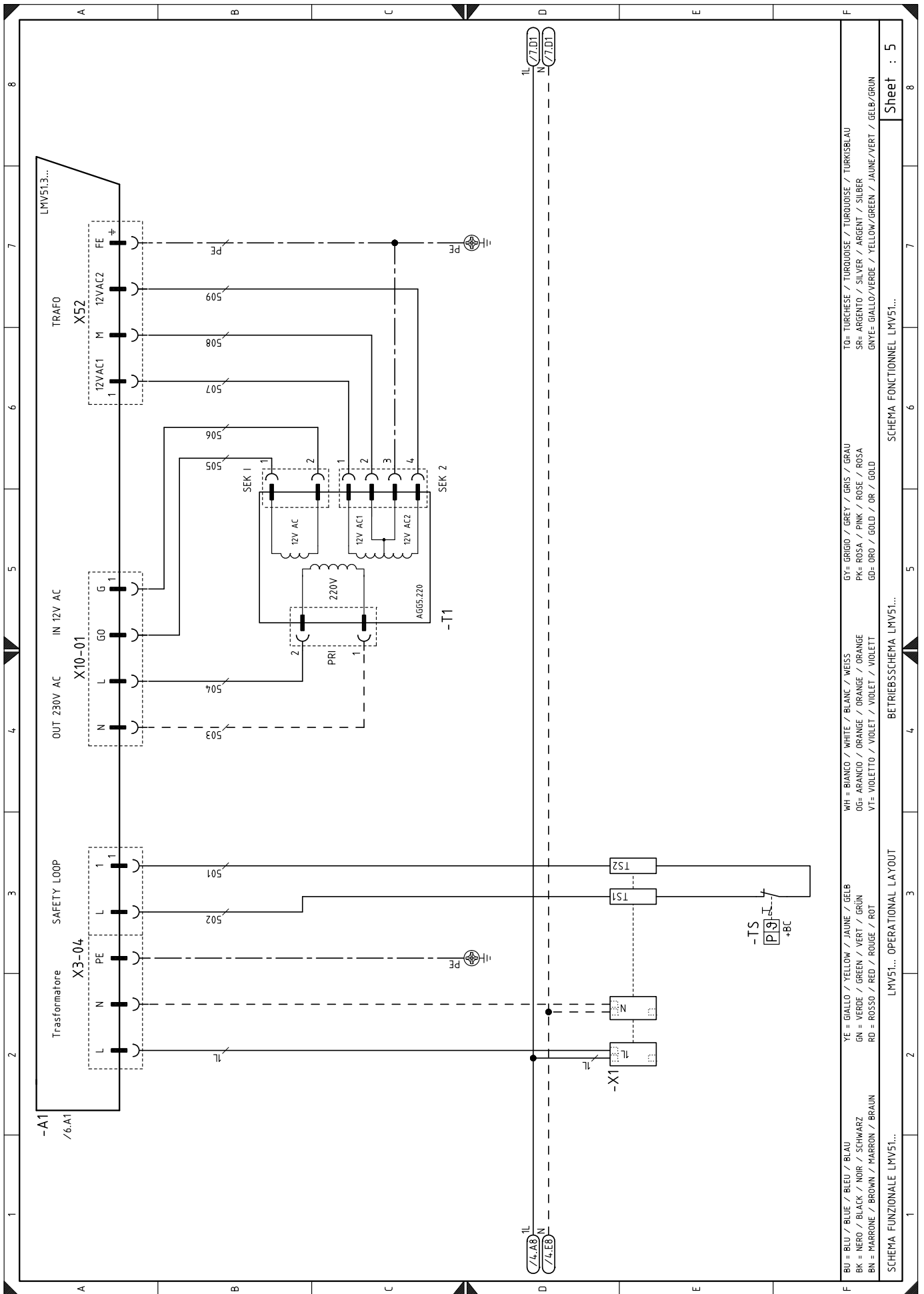


BU = BLU / BLUE / BLEU / BLAU	YE = GIALLO / YELLOW / JAUNE / GELB	WH = BIANCO / WHITE / BLANC / WEISS	GY = GRIGIO / GREY / GRIS / GRAU	TO = TURCHESE / TURQUOISE / TURKOISE / TURKISBLAU
BK = NERO / BLACK / NOIR / SCHWARZ	GN = VERDE / GREEN / VERT / GRÜN	OG = ARANCIO / ORANGE / ORANGE / ORANGE	PK = ROSA / PINK / ROSE / ROSA	SR = ARGENTO / SILVER / ARGENT / SILBER
BN = MARRONE / BROWN / MARRON / BRAUN	RD = ROSSO / RED / ROUGE / ROT	VI = VIOLETTA / VIOLET / VIOLET / VIOLETT	GD = ORO / GOLD / OR / GOLD	GNT = GIALLO/VERDE / YELLOW/GREEN / JAUNE/VERT / GELB/GRÜN

SCHEMA UNIFILARE DI POTENZA / LAYOUT OF UNIFILAR OUTPUT / EINDRAHTIGES LEISTUNGSSCHEMA / SCHEMA UNIFILAIRE DE PUISSANCE

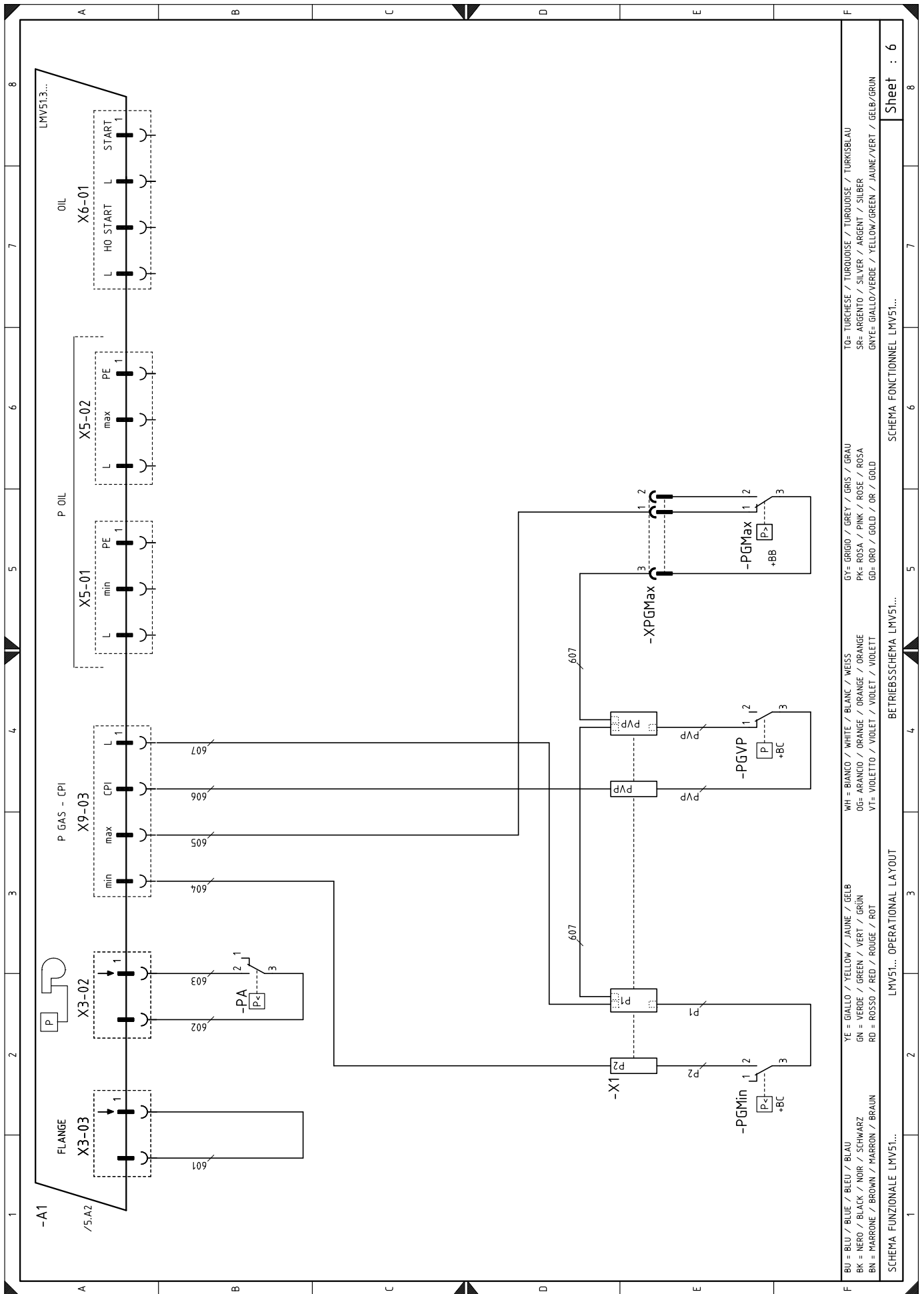
Sheet : 3

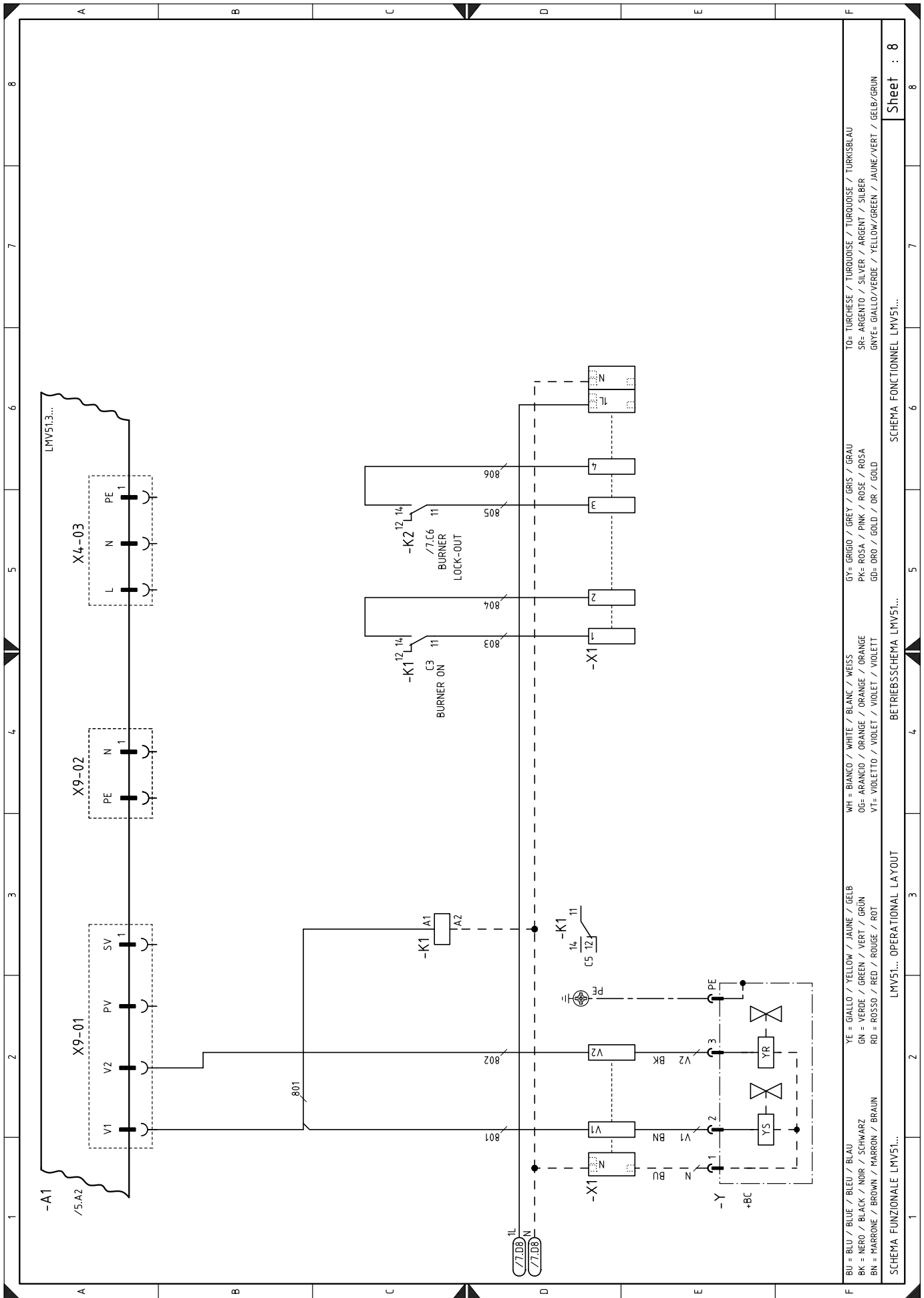




BU = BLU / BLUE / BLEU / BLAU	YE = GIALLO / YELLOW / JAUNE / GELB	WH = BIANCO / WHITE / BLANC / WEISS	GY = GRIGIO / GREY / GRIS / GRAU	TO = TURCHESE / TURKUISE / TURKUISE / TURKISBLAU
BK = NERO / BLACK / NOIR / SCHWARZ	GN = VERDE / GREEN / VERT / GRÜN	OG = ARANCIO / ORANGE / ORANGE / ORANGE	PK = ROSA / PINK / ROSE / ROSA	SP = ARGENTO / SILVER / ARGENT / SILBER
BN = MARRONE / BROWN / MARRON / BRAUN	RD = ROSSO / RED / ROUGE / ROT	VT = VIOLETTA / VIOLET / VIOLET / VIOLETT	GD = ORO / GOLD / OR / GOLD	GNV = GIALLO/VERDE / YELLOW/GREEN / JAUNE/VERT / GELB/GRÜN
SCHEMA FUNZIONALE LMV51...				
LMV51... OPERATIONAL LAYOUT				
BETRIEBSSCHEMA LMV51...				
SCHEMA FONCTIONNEL LMV51...				
				Sheet : 5







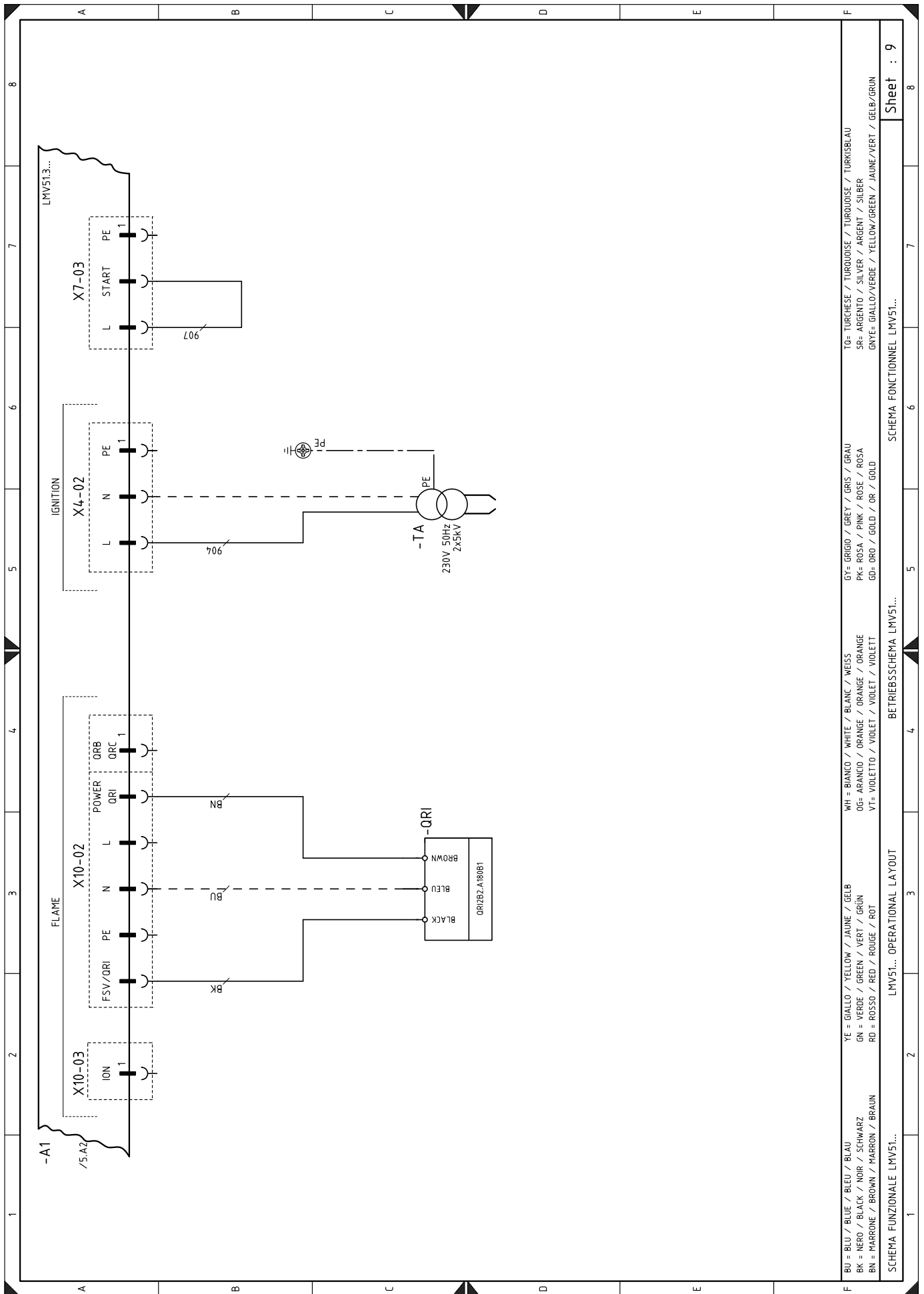
Sheet : 8

SCHEMA FONCTIONNEL LMV51...

BETRIEBSSCHEMA LMV51...

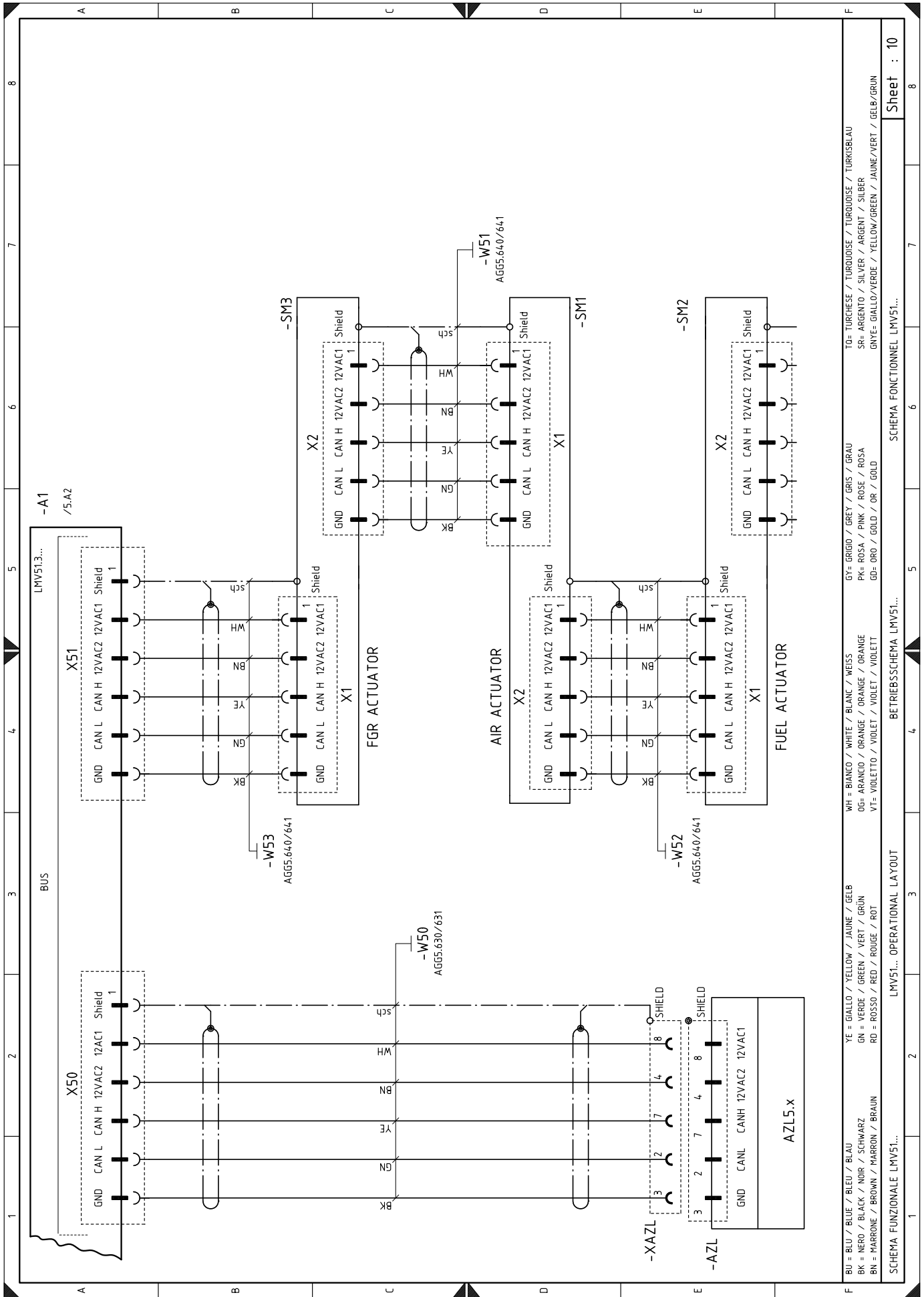
LMV51... OPERATIONAL LAYOUT

SCHEMA FUNZIONALE LMV51...

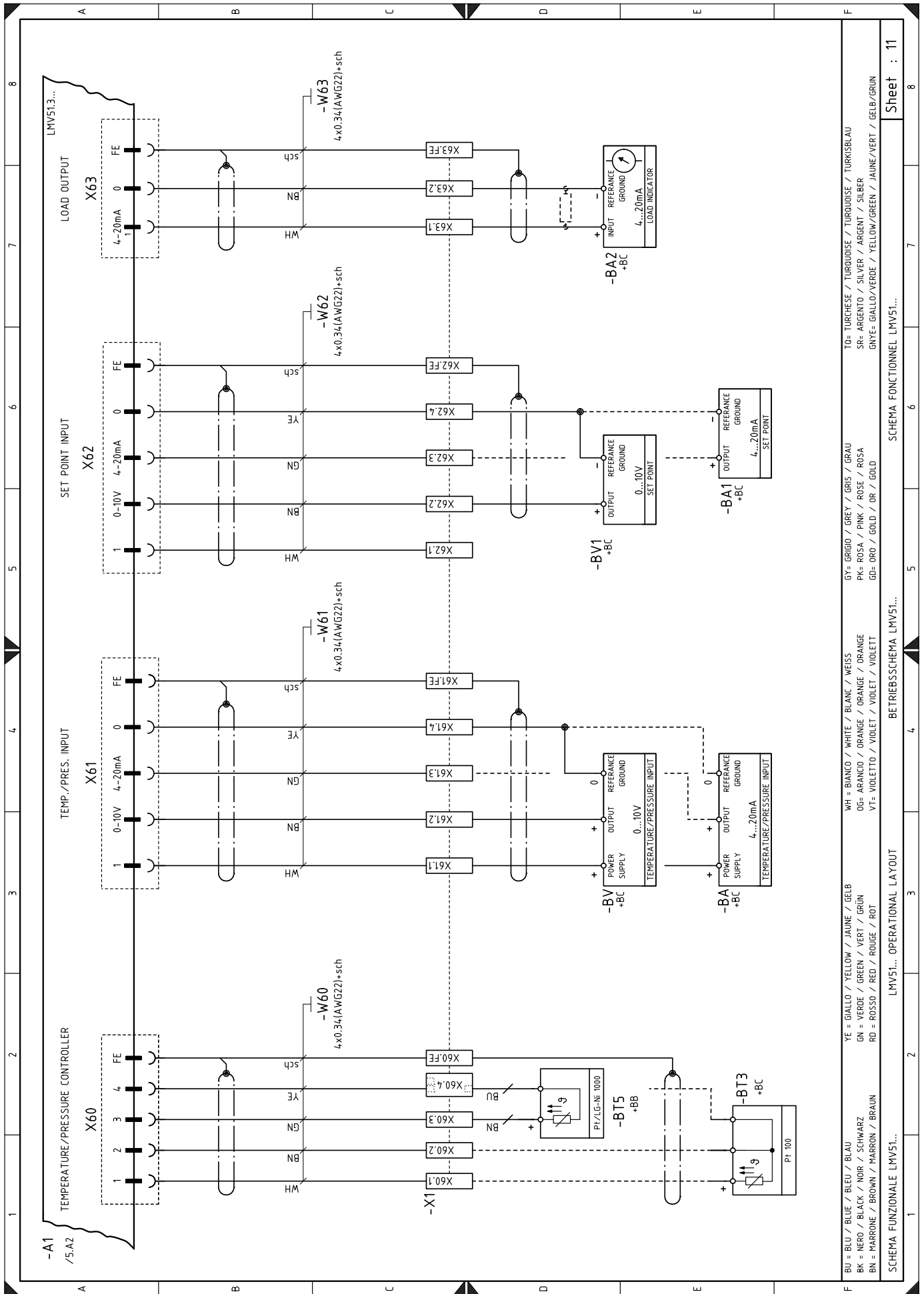


BU = BLU / BLUF / BLEU / BLAU	YE = GIALLO / YELLOW / JAUNE / GELB	WH = BIANCO / WHITE / BLANC / WEISS	GY = GRIGIO / GREY / GRIS / GRAU	TO = TURCHESE / TURQUOISE / TURKISBLAU
BK = NERO / BLACK / NOIR / SCHWARZ	GN = VERDE / GREEN / VERT / GRÜN	OG = ARANCIO / ORANGE / ORANGE / ORANGE	PK = ROSA / PINK / ROSE / ROSA	SR = ARGENTO / SILVER / ARGENT / SILBER
BN = MARRONE / BROWN / MARRON / BRAUN	RD = ROSSO / RED / ROUGE / ROT	VI = VIOLETTIO / VIOLET / VIOLETT / VIOLETT	GD = ORO / GOLD / OR / GOLD	GNTE = GIALLO/VERDE / YELLOW/GREEN / JAUNE/VERT / GELB/GRÜN

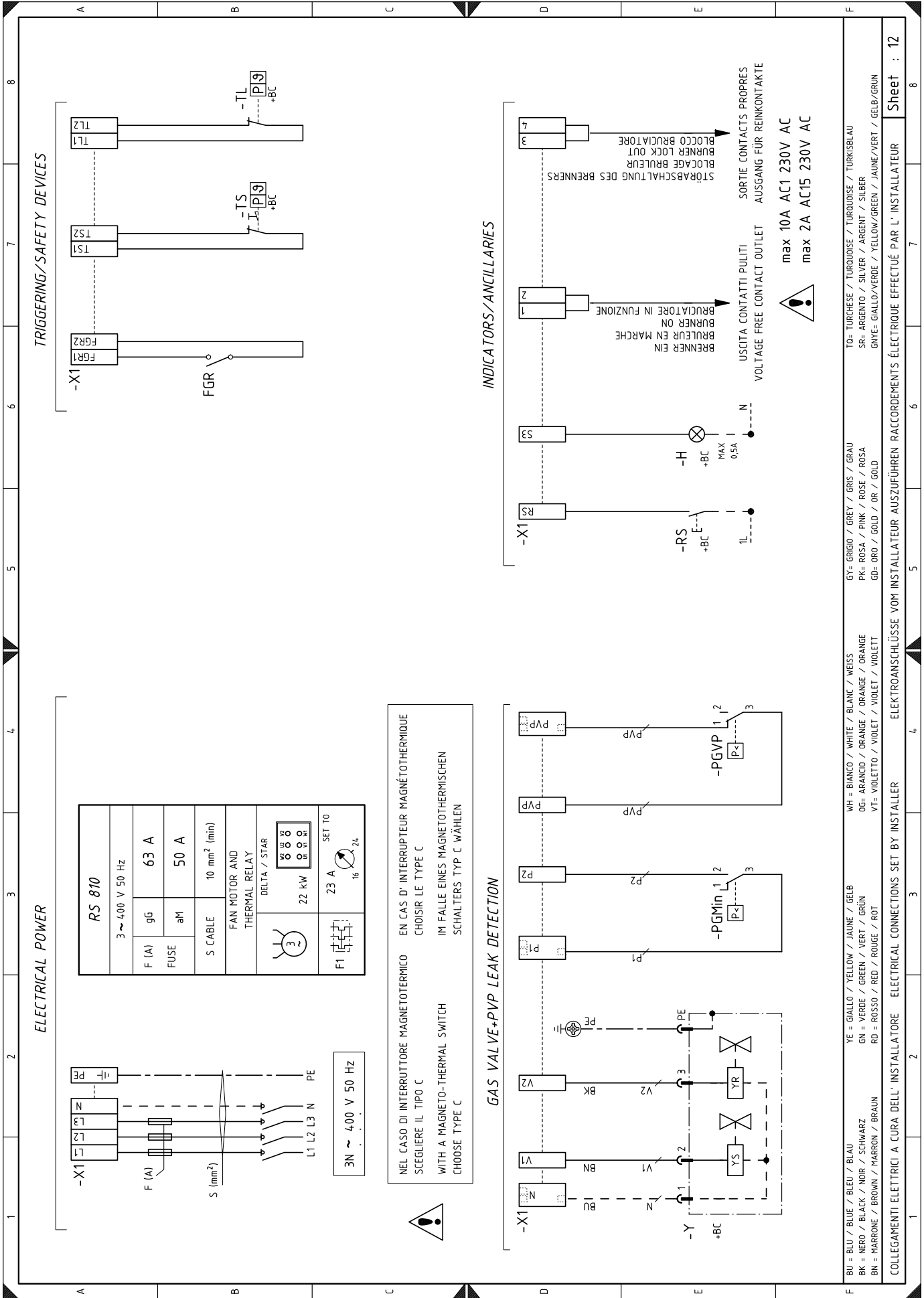
Sheet : 9

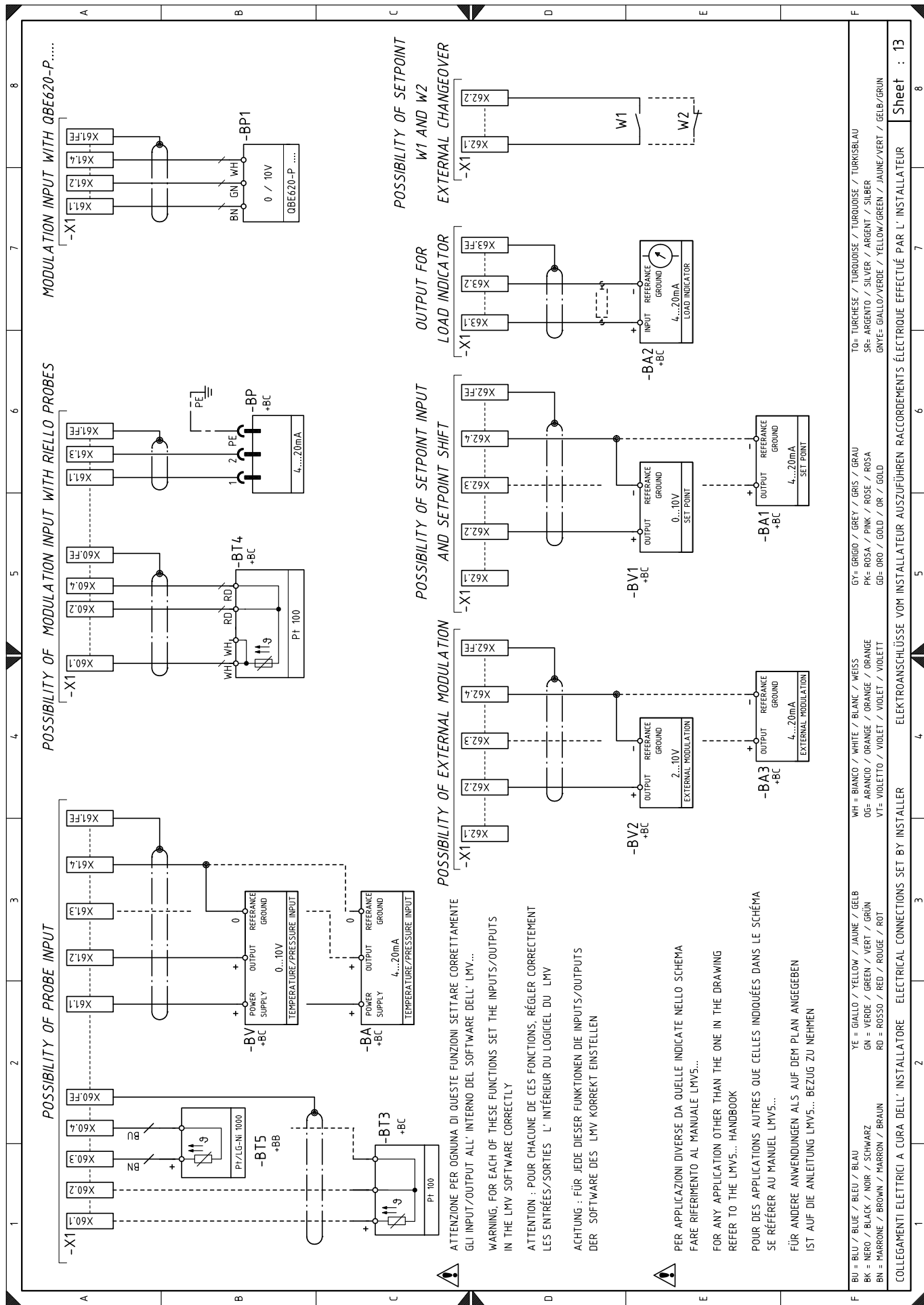


BU = BLU / BLUE / BLEU / BLAU  
 BK = NERO / BLACK / NOIR / SCHWARZ  
 BN = MARRONE / BROWN / MARRON / BRAUN  
 YE = GIALLO / YELLOW / JAUNE / GELB  
 GN = VERDE / GREEN / GRÜN / GRÜN  
 RD = ROSSO / RED / ROUGE / ROT  
 WH = BIANCO / WHITE / BLANC / WEISS  
 OG = ARANCIO / ORANGE / ORANGE / ORANGE  
 VT = VIOLETTA / VIOLET / VIOLET / VIOLETT  
 GR = GRIGIO / GREY / GRIS / GRAU  
 PK = ROSA / PINK / ROSE / ROSA  
 GD = ORO / GOLD / OR / GOLD  
 TO = TURCHESE / TURQUOISE / TURQUOISE / TURKISBLAU  
 SR = ARGENTO / SILVER / ARGENT / SILBER  
 GNYE = GIALLO/VERDE / YELLOW/GREEN / JAUNE/VERT / GELB/GRÜN



BU = BLU / BLUE / BLEU / BLAU	WH = BIANCO / WHITE / BLANC / WEISS	TO = TURCHESE / TURQUOISE / TURKISBLAU
BK = NERO / BLACK / NOIR / SCHWARZ	OG = ARANCIO / ORANGE / ORANGE / ORANGE	SR = ARGENTO / SILVER / ARGENT / SILBER
BN = MARRONE / BROWN / MARRON / BRAUN	VI = VIOLETTIO / VIOLET / VIOLET / VIOLETT	GNTE = GIALLO/VERDE / YELLOW/GREEN / JAUNE/VERT / GELB/GRUN
YE = GIALLO / YELLOW / JAUNE / GELB	GN = VERDE / GREEN / VERT / GRÜN	
RD = ROSSO / RED / ROUGE / ROT	RD = ROSSO / RED / ROUGE / ROT	





**Wiring layout key**

A1	Flame control
AZL	Display for flame control
BA	Probe with output under current
BA1	Device with output undercurrent, for modifying remote setpoint
BA2	Load indicator with input under current
BA3	Device with output under current for remote modulation
BP	Pressure probe
BP1	Pressure probe
BT5 FGR	Probe Pt1000, 2 wires
BT3	Probe Pt100, 3 wires
BT4	Probe Pt100, 3 wires
BV	Output probe in voltage
BV1	Output device in voltage to modify remote setpoint
BV2	Device with voltage current output for remote modulation
F1	Fan motor thermal relay
FGR	FGR start-up approval
FU	Auxiliary fuse
H	Light signalling output for burner operation
H1	Light signalling burner on
H2	Fan motor lockout warning lamp
K1	Clean contacts output relay for burner ON
K2	Clean contacts output relay for burner lock-out
KL1	Star/triangle starter line contactor and direct start-up
KM	Direct start-up contactor
KS1	Start/triangle starter star contactor
KST1	Star/triangle starter timer
KT1	Star/triangle starter triangle contactor
MV	Fan motor
PA	Air pressure switch
PE	Burner earth
PGMax	Maximum gas pressure switch
PGMin	Minimum gas pressure switch
PGVP	Pilot valves gas pressure switch
QRI	Flame sensor
RS	Remote burner reset button
S1	Emergency stop button
S2	"0 / AUTO" selector
SH3	Burner reset button and lockout signal
SM1	Air servomotor
SM2	Gas servomotor
SM3	FGR servomotor
T1	Flame control transformer
TA	Ignition transformer
TL	Limit thermostat/pressure switch
TS	Safety thermostat/pressure switch
X1	Main terminal supply board
XAZL	AZL display connector
XPGMax	Maximum gas pressure switch connector
Y	Gas adjustment valve + gas safety valve



---

**RIELLO**

RIELLO S.p.A.  
I-37045 Legnago (VR)  
Tel: +39.0442.630111  
[http:// www.riello.it](http://www.riello.it)  
[http:// www.riello.com](http://www.riello.com)