

Condexa PRO

EN INSTALLATION, TECHNICAL ASSISTANCE SERVICE AND SYSTEM MANAGEMENT MANUAL

RIELLO

RANGE

MODEL	CODE
Condexa PRO 57 P	20115223
Condexa PRO 70 P	20115224
Condexa PRO 90	20115225
Condexa PRO 100	20115226
Condexa PRO 115	20115228
Condexa PRO 135	20115229

ACCESSORIES

For a complete list of accessories and details of their compatibility, refer to the Catalogue.

Dear heating engineer,

Well done for choosing a **RIELLO** module that ensures maximum wellbeing that lasts, combined with high reliability, efficiency, quality and safety.

This manual provides information that is essential to the installation of the appliance. Used in conjunction with your own knowledge and expertise it will enable you to install the appliance quickly, easily, and correctly.

Please accept our thanks and our congratulations on your choice of product.
Riello S.p.A.

CONFORMITY

Condexa PRO modules comply with:

- Regulation (EU) 2016/426
- Directive 92/42/EEC on efficiency requirements and Annex E and Pres. Republic Decree n. 412, 26 August 1993 (****)
- Electromagnetic Compatibility Directive 2014/30/EU
- Low Voltage Directive 2014/35/EU
- Ecodesign Directive 2009/125/CE for energy-related products
- Regulation (EU) 2017/1369 Energy labelling
- Delegated Regulation (EU) N. 811/2013
- Delegated Regulation (EU) N. 813/2013
- Standard for gas-fired heating boilers - General requirements and tests - EN 15502-1
- UNI/TS standard 11854
- Specific standard for type C appliances and type B2, B3 and B5 appliances of nominal heat input not exceeding 1000 kW - EN 15502-2/1




At the end of its life, the product should be not be disposed of as solid urban waste, but rather it should be handed over to a differentiated waste collection centre.

CONTENTS

1 GENERAL INFORMATION	4	3 COMMISSIONING AND MAINTENANCE	50
1.1 General Safety Information	4	3.1 Initial startup	50
1.2 Precautions	4	3.1.1 Switching the appliance on and off	50
1.3 Description of the appliance	5	3.1.2 Date and time setting	50
1.4 Safety devices	5	3.1.3 Password access	51
1.5 Identification	6	3.1.4 Setting the heating parameters.....	51
1.6 System layout	7	3.1.5 Setting the domestic hot water parameters	54
1.7 Technical specifications.....	9	3.1.6 Scheduled programme	55
1.8 Pumps	11	3.1.7 Module information	58
1.9 Water circuit	12	3.2 Checks during and after initial start-up	59
1.10 Positioning the temperature sensors.....	12	3.3 Error List	60
1.11 Control panel	13	3.3.1 Permanent Errors	60
2 INSTALLATION	14	3.3.2 Temporary Errors	62
2.1 Unpacking the product	14	3.3.3 Warnings	63
2.1.1 Positioning of labels	14	3.4 Transformation from one gas type to another	64
2.2 Overall dimensions and weights	14	3.4.1 Gas conversion for G30/G31	64
2.3 Installation premises	15	3.5 Adjustments	66
2.3.1 Recommended minimum distances	15	3.6 Temporary or short-term shut-down	67
2.4 Installation in older systems and systems requiring modernisation	15	3.7 Preparing for extended periods of disuse	68
2.5 Moving and removing the packing	16	3.8 Replacing the display and control boards	68
2.6 Fan assembly	16	3.9 Replacing the Dependent board	69
2.7 Water connections	18	3.10 Maintenance	71
2.8 Typical water system schematics	19	3.10.1 "Service reminder" function	71
2.9 Gas connections	22	3.11 Cleaning and removing internal components	72
2.10 Discharge of combustion products	22	3.11.1 Condensate drain siphon cleaning	74
2.10.1 Preparation for the condensate drain	25	3.12 Torque value	75
2.11 Neutralising the condensate	25	3.13 Troubleshooting	76
2.11.1 Water quality requirements	25	4 MANAGING ADDITIONAL ZONE	77
2.12 System filling and emptying	26	4.1 Controlling zone with additional zone accessory	77
2.12.1 Filling	26	4.2 Setting parameters of the additional zone	78
2.12.2 Emptying	27	4.3 Setting zone parameters (accessible only with installer password)	78
2.13 Wiring diagram	28	4.3.1 Menu structure	79
2.14 Electrical connections	30	4.4 Setting zone's climatic curve parameters (accessible only with installer password)	80
2.15 Electronic control	33	4.5 Programming the zone	80
2.15.1 Menu structure	34	4.6 Scheduling the time bands	81
2.15.2 Parameters' list	40	4.7 Information on the operation of the zone	82
		5 SYSTEM MANAGER	83
		5.1 Putting into service	83
		5.2 Temporary or short-term shut-down	84
		5.3 Preparing for extended periods of disuse	84
		5.4 Cleaning	84
		5.5 Maintenance	84
		5.6 Useful information	85
		6 MODBUS CONNECTION	86
		7 RECYCLING AND DISPOSAL	91












The following symbols are used in this manual:



 **CAUTION!** = Identifies actions that require caution and adequate preparation.

 **STOP!** = Identifies actions that you MUST NOT do.

1 GENERAL INFORMATION















1.1 General Safety Information

-  After removing the packaging, check the condition and completeness of the supply. If there are any problems, contact the company **RIELLO** that sold the equipment.
-  This product must be installed by a legally qualified heating engineer. On completion of the installation, the installer must issue the owner with a declaration of conformity confirming that the installation has been completed to the highest standards in compliance with the instructions provided by **RIELLO** in this instruction manual, and that it conforms to all applicable laws and standards.
-  This product must only be used for the purpose for which it is designed and made, as specified by **RIELLO**. **RIELLO** declines all responsibility, contractual or other, for damage to property or injury to persons or animals caused by improper installation, adjustment, maintenance or use.
-  In the event of water leakage, disconnect the module from the electric power supply, shut off the water supply and notify **RIELLO** Technical Assistance Service or professionally qualified personnel as soon as possible.
-  The boiler can be used with group H and/or group E combustible gases and mixtures of natural gas and hydrogen up to a volume of 20%.
-  Periodically check that operating pressure in the water circuit is over 1 bar but below the maximum limit specified for the boiler. If this is not the case, contact Technical Assistance Service **RIELLO** or a professionally qualified heating engineer.
-  The following operations shall be necessary if the module is not used for a long period of time:
 - Switch the boiler OFF at the control panel
 - Turn the main system switch "off"
 - Close the fuel cock and heating circuit water cock
 - Drain the central heating circuit if there is any risk of freezing.
-  Maintenance must be performed on the module at least once a year.
-  This manual is an integral part of the appliance and must therefore be kept with care and must ALWAYS accompany the module, even when it is passed on to another owner or user or transferred to another installation. If it is lost or damaged, please contact your local Technical Assistance Service **RIELLO** for a new copy.
-  This manual must be read carefully so as to ensure the correct and safe installation, operation and maintenance of the appliance. The Owner must be adequately informed and trained on how to operate the appliance. Make sure that he/she is familiar with all the information required for safe system operation.
-  Before being connected to the hydraulic system and gas network and being electrically powered, the module can be exposed to temperatures from 4°C to 40°C. Once it is able to activate the anti-freeze functions, it can be exposed to temperatures from -20°C to 40°C.

-  Regularly check that the condensate drain is free from obstruction.
-  We recommend cleaning inside the exchanger once a year, extracting jet and burner and removing any installation debris by suction. This operation should be done by personnel from the Technical Assistance Service only.

1.2 Precautions

The operation of any appliance that uses fuel, electrical power and water demands that a number of fundamental safety precautions be respected:

-  Do not allow children or infirm persons to operate the system unsupervised.
-  It is forbidden to use electrical devices or equipment, such as switches, appliances, etc. if there is a smell of gas or unburnt products. If so:
 - Ventilate the room, opening doors and windows
 - Close the fuel shut-off cock
 - Report the fault immediately to the **RIELLO's** Technical Assistance Service or a professionally qualified heating engineer.
-  Do not touch the boiler while barefoot or wet.
-  Any technical or cleaning activity is forbidden before disconnecting the appliance from the main power supply by switching the system's master switch and the appliance's main switch to the "OFF" position.
-  Do not tamper with or adjust the safety or control devices without prior authorisation and instructions from the manufacturer.
-  Do not plug or block the condensate drain outlet.
-  Never pull, disconnect, or twist the electrical cables coming from the appliance even if it is disconnected from the mains electricity supply.
-  Do not obstruct or restrict the vents in the room where the boiler is installed. Adequate ventilation is essential for correct combustion.
-  Do not expose the appliance to weather elements (without using the dedicated accessory). It has been designed for indoor use.
-  Do not switch off the appliance if the outdoor temperature may drop to below ZERO (frost hazard).
-  Do not leave flammable containers and substances in the room where the device is installed.
-  Do not dispose of packaging material into the environment, or leave it within the reach of children, since it can become a potential hazard. Dispose of packaging material in compliance with applicable legislation.
-  Never activate the module without water.
-  Persons without specific qualifications and competence must NOT remove the module casing.

1.3 Description of the appliance


Condexa PRO is a condensing, pre-mixed module consisting of a modulating heating element.

It is available in various models, ranging from 57kW to 131kW.

Optimal combustion management supports high yields (over 109%, calculated over NVC, in condensation regime) and low polluting emissions (Class 6 pursuant to EN 15502).

The module is designed with open chamber operation, but can be converted to sealed chamber operation with the use of the appropriate accessory.

The appliance in standard configuration is envisaged for indoor installation to guarantee an IPX4D protection level. The appliance may also be installed outdoors by fitting a special accessory that increases its electric protection to IPX5D.

 **Condexa PRO** appliances may be cascaded to reach a maximum power of 1.12 MW.

The appliance's key technical features are

- pre-mix burner with constant air-gas ratio;
- helical exchanger, coil with smooth stainless steel pipe (twin coil for Condexa PRO 57 P ÷ Condexa PRO 135 models), to guarantee good corrosion resistance and ensure operation with high Δt (up to 40°C) reducing start-up times;
- power from 57 to 131 kW;
- maximum flue gas output temperature 100°C;
- microprocessor management and control with self-diagnostics, shown by means of a display, and logging of main errors;
- Anti-Frost function;
- provision for room thermostat / heat request on high or low temperature zones;
- option to manage a CH circuit and a DHW circuit with storage tank;
- high-efficiency and high residual discharge head circulator (for models up to 68kW; a circulator is available as an accessory upon request for other models);
- climate control function (available only when using the outdoor temperature sensor accessory).

1.4 Safety devices

All appliance functions are electronically controlled by a dual processor technology board approved for safety functions.


Any malfunction results in the appliance being shut down and the automatic closure of the gas valve.


The following is installed on the water circuit:


- **Safety thermostat.**
- **Flow sensor** capable of monitoring the main circuit's flow on an ongoing basis and of stopping the appliance in the event of insufficient flow.
- **Temperature probes** on delivery and return lines that measure the temperature difference (Δt) between input and output fluid and enable activation of the control.
- **Minimum pressure switch.**

The following is installed on the combustion circuit:

- **Gas solenoid** in class B+C, with pneumatic gas flow compensation depending on the suction line's air flow rate.
- **Ignition/detection electrode.**
- **Flue gases temperature probe.**

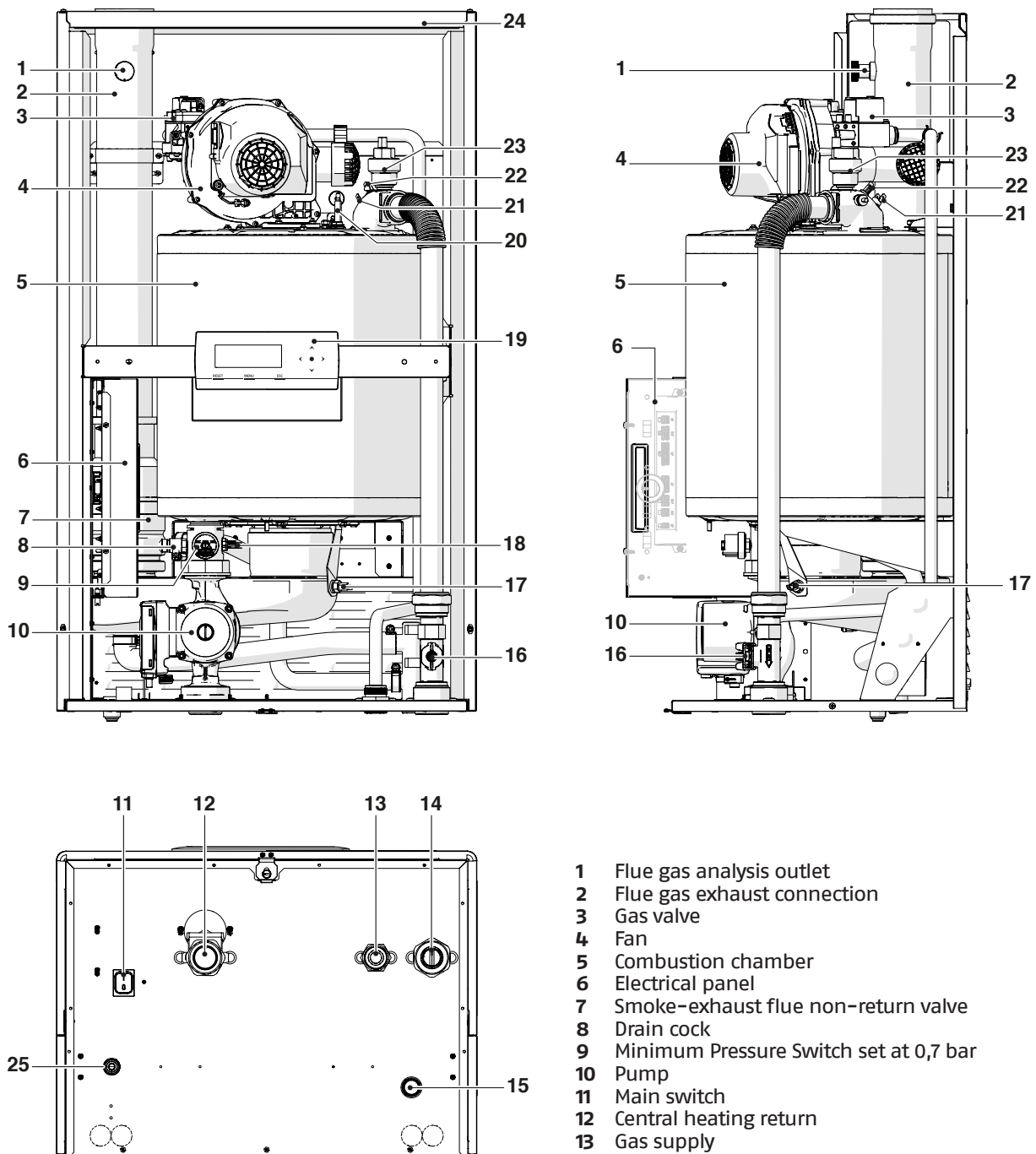
 The intervention of the safety devices indicates a potentially dangerous module malfunction. Contact Technical Assistance Service immediately. After a brief pause, it is possible to try and restart the appliance (see Paragraph "Initial startup").

 Safety devices must be replaced by Technical Assistance Service, using only original parts. Refer to the spare parts catalogue supplied with the appliance. After making the repair, check that the appliance is working properly.

 The appliance must not be put in service, even temporarily, when tampered safety devices are not in operation or have been tampered with.

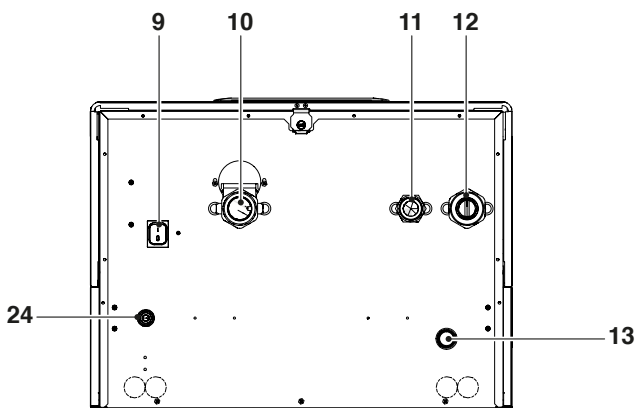
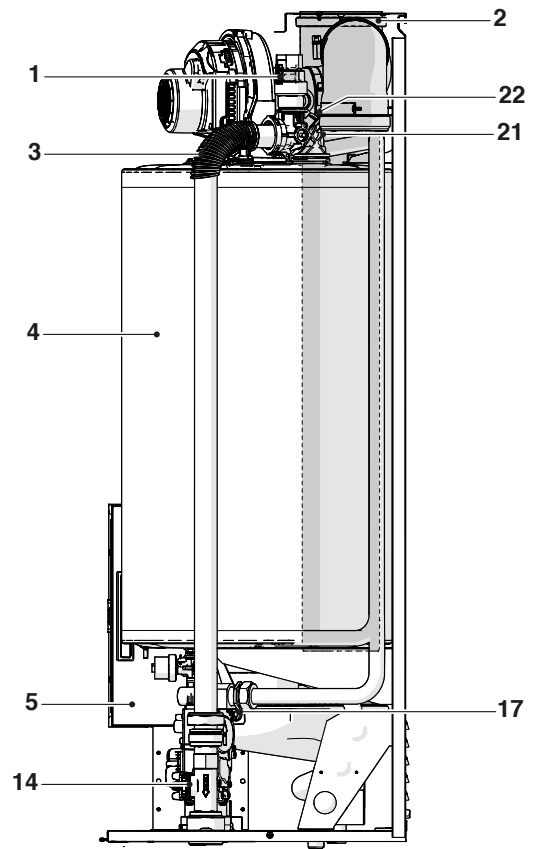
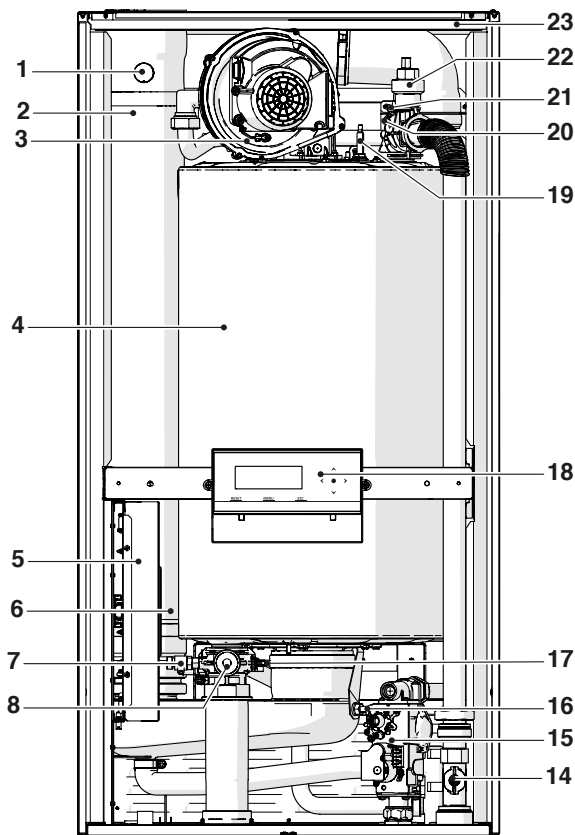
1.6 System layout

Condexa PRO 57 P - 70 P



- 1 Flue gas analysis outlet
- 2 Flue gas exhaust connection
- 3 Gas valve
- 4 Fan
- 5 Combustion chamber
- 6 Electrical panel
- 7 Smoke-exhaust flue non-return valve
- 8 Drain cock
- 9 Minimum Pressure Switch set at 0,7 bar
- 10 Pump
- 11 Main switch
- 12 Central heating return
- 13 Gas supply
- 14 Central heating flow
- 15 Condensate drain connection
- 16 Flow-meter
- 17 Exhaust flue probe
- 18 Return probe
- 19 Control panel
- 20 Ignition/detection electrode
- 21 Safety Thermostat with manual reset by PCB
- 22 Flow probe
- 23 Automatic bleed valve
- 24 Casing
- 25 Power supply cable gland

Condexa PRO 90 - 100 - 115 - 135



- 1 Flue gas analysis outlet
- 2 Flue gas exhaust connection
- 3 Fan
- 4 Combustion chamber
- 5 Electrical panel
- 6 Smoke-exhaust flue non-return valve
- 7 Drain cock
- 8 Minimum Pressure Switch set at 0,7 bar
- 9 Main switch
- 10 Central heating return
- 11 Gas supply
- 12 Central heating flow
- 13 Condensate drain connection
- 14 Flow-meter
- 15 Gas valve
- 16 Exhaust flue probe
- 17 Return probe
- 18 Control panel
- 19 Ignition/detection electrode
- 20 Safety Thermostat with manual reset by PCB
- 21 Flow probe
- 22 Automatic bleed valve
- 23 Casing
- 24 Power supply cable gland

1.7 Technical specifications

Description	Condexa PRO						U.M.		
	57 P	70 P	90	100	115	135			
Appliance type	Condensing boiler heating system B23; B53; B53P; C13*; C33*; C53*; C63*								
Fuel – Device category	G20=20mbar G20.2=20mbar G30/G31=28-30/37mbar; II2HY203+								
Combustion chamber	vertical								
Maximum rated heat input at furnace referred to HVC (LCV)			63 (57)	76 (68)	100 (90)	108 (97)	124 (112)	146 (131)	kW
Minimum rated heat input at furnace referred to HVC (LCV)			15 (14)	15 (14)	21,6 (19,4)	21,6 (19,4)	24,9 (22,4)	29,2 (26,2)	kW
Useful (rated) heat output			56	68	88	95	110	129	kW
Maximum rated heat output (80-60°C)	P4	G20	55,7	67,0	88,3	95,3	109,8	129,0	kW
Maximum nominal heat output (60-40°C)	-	G20	59,6	71,4	93,8	101,1	116,2	137,3	kW
30% heat output with return at 30°C	P1	G20	18,7	22,3	29,4	31,7	36,6	43,0	kW
Minimum rated heat output (80-60°C)	-	G20	13,5	13,5	19,2	19,2	22,1	26	kW
Efficiency class in central heating mode			A	A	-	-	-	-	
Seasonal energy efficiency in central heating mode		η_s	94	94	94	94	94	94	%
Efficiency at rated heat input and High temperature GCV (NCV) regime	η_4	useful Pn (60-80°C)	88,4 (97,7)	88,2 (98,5)	88,3 (98,1)	88,2 (98,2)	88,5 (98,0)	88,4 (98,5)	%
Efficiency at 30% of the nominal thermal flow and on low PCS temperature regime	η_1	useful 30% of Pn	98,2 (109,2)	98 (108,8)	98,1 (108,9)	98 (108,8)	98 (108,8)	98,1 (108,9)	%
Chimney losses with burner on at max. Pn (80-60°C)			2,3	2,3	2,5	2,6	2,5	2,6	%
Chimney losses with burner on at max. 30% Pn (50-30°C)			0,5	0,5	0,6	0,6	0,5	0,6	%
Heat loss in standby mode		Pstby	72	87	115	124	143	168	W
					0,1				%
Annual energy consumption		QHE	117	141	-	-	-	-	GJ
Noise level (sound power)	LWA	at P max	53	54	55	56	57	57	dB(A)

(*) Accessory.

GENERAL INFORMATION

Description			Condexa PRO						U.M.
			57 P	70 P	90	100	115	135	
Emissions (**)	NOx (referred to HCV)		34,2	36,4	38,1	38,7	39,3	46,1	mg/kWh
Emissions at max./min. heat input, G20	CO ₂		9 - 9						%
	CO		79/6,5	90/6,5	81/7,5	91,5/7,5	89/4,6	91,5/5,6	ppm
Maximum rated heat input (LCV)	G25		53	65	85	93	107	127	kW
Minimum rated heat input (LCV)	G25		13	13	18,1	18,5	21,4	24,5	kW
Emissions at max./min. heat input, G25	CO ₂		9 - 9						%
	CO		92/7	93,5/7	84/8	94/8	92/6	95/7	ppm
Emissions at max./min. power G30	CO ₂		10,4-10,4						%
	CO		138/10	142/10	148/11	159/11	172/13	180/15	ppm
Emissions at max./min. power G31	CO ₂		10,4-10,4						%
	CO		142/11	147/11	153/12	163/12	177/14	185/16	ppm
Gas consumption (min-max)	G20		1,43÷6,0	1,43÷7,24	2,06÷9,53	2,06÷10,29	2,37÷11,82	2,5÷13,91	mc/h
	G30		1,09÷4,58	1,09÷5,53	1,57÷7,28	1,57÷7,86	1,81÷9,02	1,91÷10,62	kg/h
	G31		1,07÷4,50	1,07÷5,43	1,54÷7,15	1,54÷7,72	1,78÷8,86	1,87÷10,43	kg/h
Flue gas temperature at max. power and min. power 80-60°C			71/61	72/61	76/62	78/62	75/61	77/61	°C
Flue gas temperature at max. power and min. power 50-30°C			45/33	46/33	47/35	49/35	45/33	48/35	°C
Flue gas mass flow rate (***)			0,025	0,03	0,04	0,046	0,05	0,06	Kg/s
Water-side resistance (ΔT 20°C)			-	-	160	210	350	510	mbar
Available useful discharge head (ΔT 20°C)			490	390	-	-	-	-	mbar
Maximum working pressure			6						bar
Minimum supply pressure			0,7						bar
Maximum permitted temperature			100						°C
Lockout thermostat activation temperature			95						°C
Adjustment temperature (min / max)			30 / 80 (****)						°C
Module water content			15	15	17	17	23	25	l
Maximum condensation at 100% rated heat output (50-30°C)			8,9	10,1	13,6	15,0	17,5	19,8	l/h
Power supply			230-50						V-Hz
Index of protection			IPX4D						IP
Consumption at full load	Elmax		63	77	150	203	205	302	W
Consumption at part load	Elmin		30	30	36	31	44	45	W
Electrical consumption in standby mode	Psb		13	13	6	6	6	8	W

(**) Weights calculated according to EN 15502.

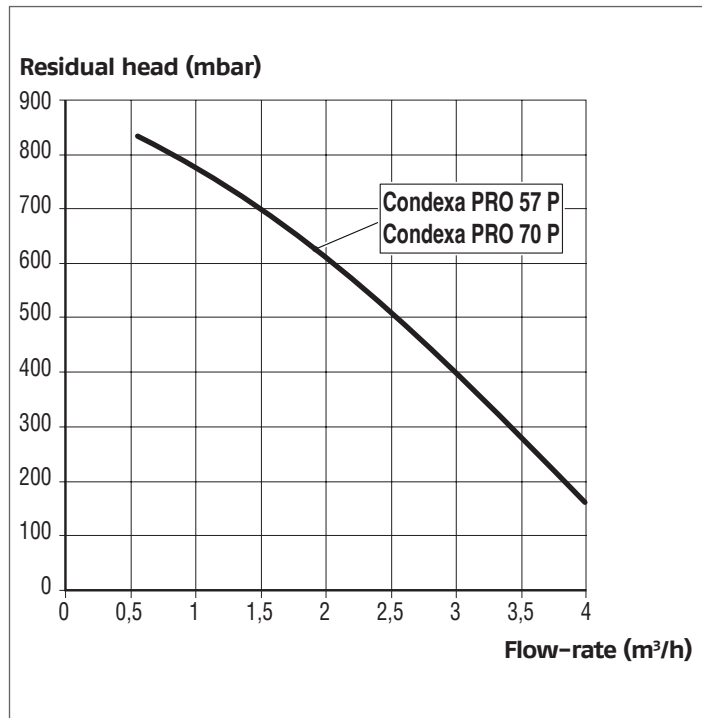
(***) Values referred to atmospheric pressure at sea level.

(****) Up to 85°C if combined with the plate heat exchanger accessory.

The CO values may differ from those stated, depending on the type of outlet. Should the value exceed 500 p.p.m., seek urgent assistance from the Technical Assistance Service.

1.8 Pumps

Modules Condexa PRO 57 P and Condexa PRO 70 P are equipped with a pump.



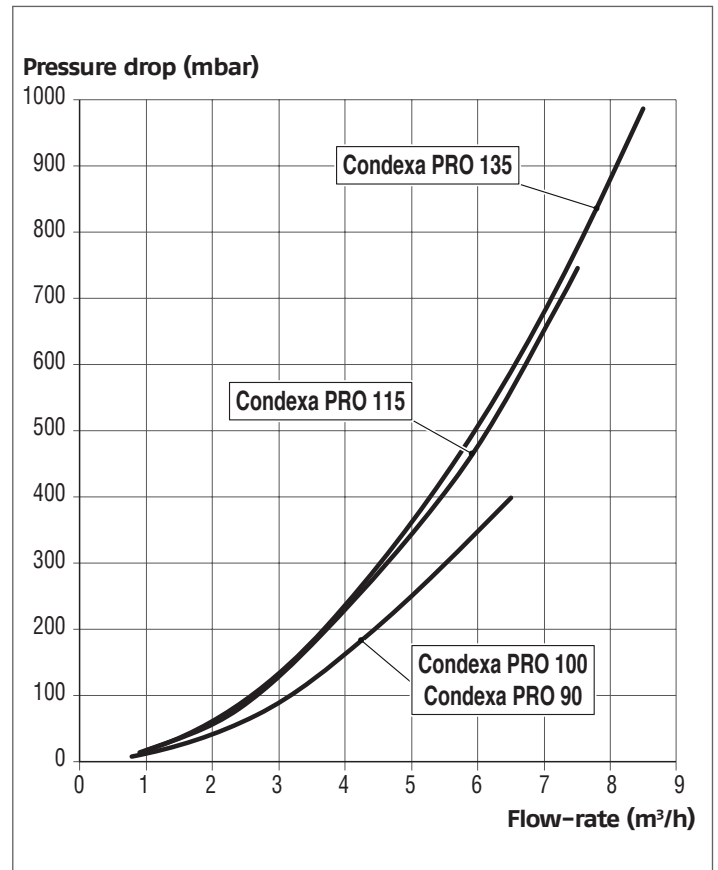
⚠ At the first start-up, and at least once a year, the rotation of the circulator shaft should be checked as, especially after long periods of not being operated, deposits and/or residuals could impede its free rotation.

⚠ Before loosening or removing the circulator cap, protect the electric devices located underneath from any water that exits.

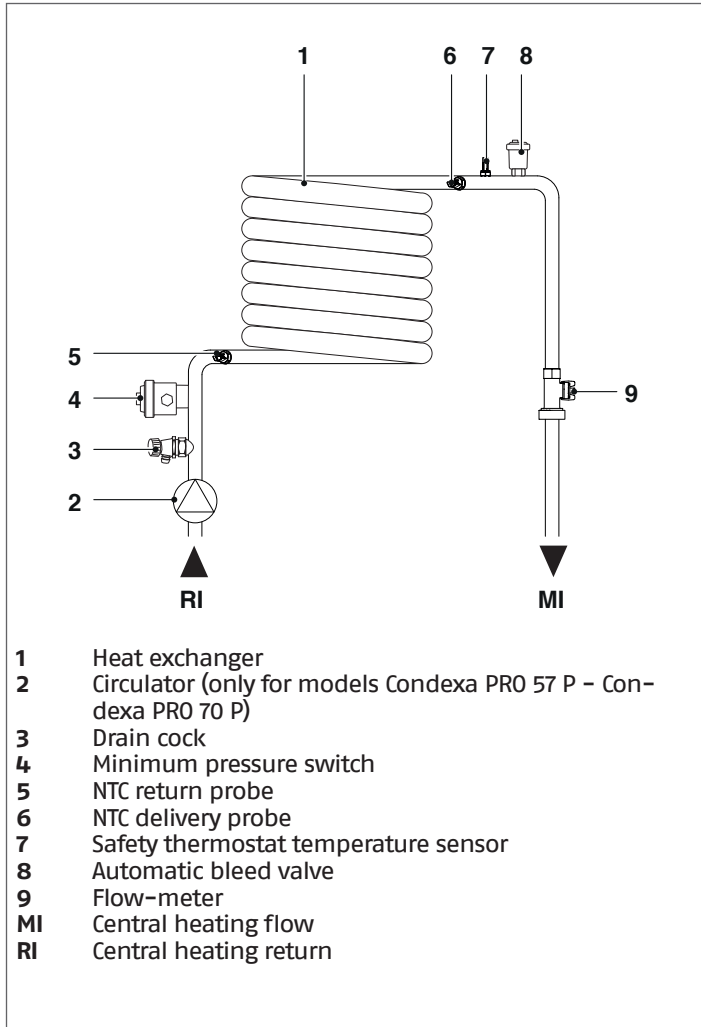
⊖ It is prohibited to operate the circulators without water.

Modules Condexa PRO 90, Condexa PRO 100, Condexa PRO 115 and Condexa PRO 135 do not have a pump, which must be installed internally or externally to the appliance (see accessories). For its sizing, consider the water-side head loss of the module, shown below in the graph.

Water-side pressure drop



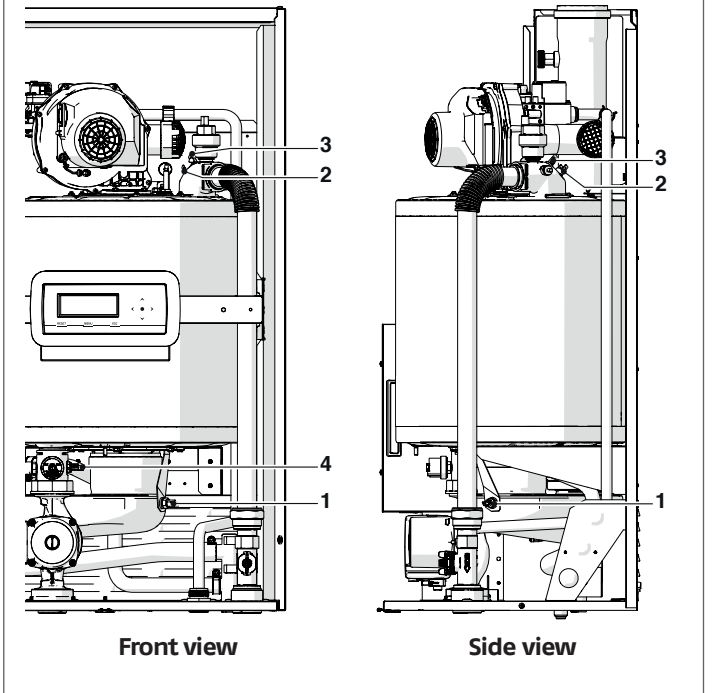
1.9 Water circuit



1.10 Positioning the temperature sensors

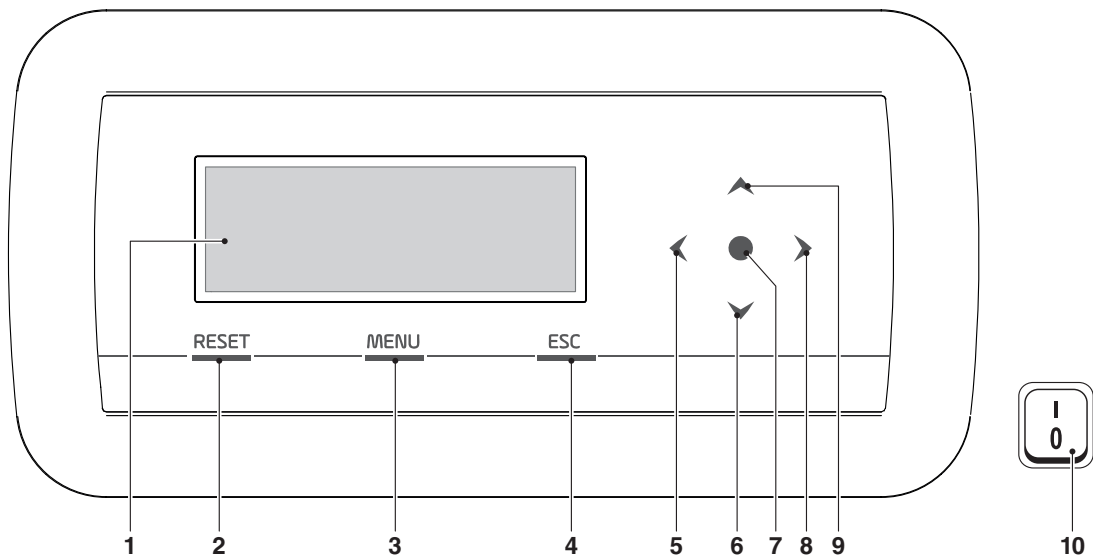
Sensor inserted in the holes in the module (Condexa PRO 57 P ÷ Condexa PRO 135):

- 1 Exhaust flue probe
- 2 Safety thermostat
- 3 CH flow temperature sensor
- 4 Return probe



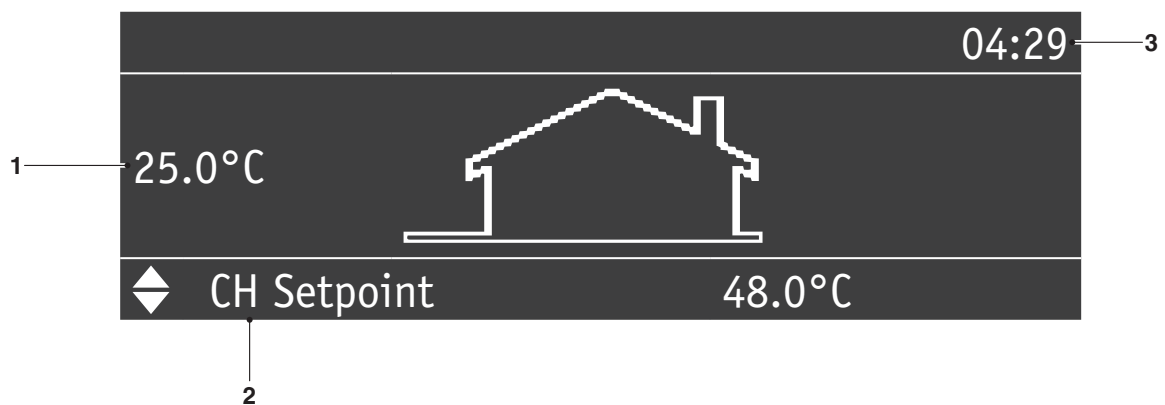
1.11 Control panel

CONTROL PANEL AND SYMBOLS



- 1 255x80 point backlit display (106,4x39,0mm)
- 2 RESET key: restores normal operations after a safety shut-down
- 3 MENU key: switches on the main menu
- 4 ESC key: in menu navigation, it enables you to exit a menu item and go back to the previous one
- 5 ÷ 9 Navigation keys ◀, ▼, ●, ▶, ▲
- 10 Main switch (located on the lower part of the appliance)

SECONDARY INFORMATION/DISPLAY VISUALISATION



- 1 Outside temperature
- 2 Setpoint
- 3 Clock

2 INSTALLATION

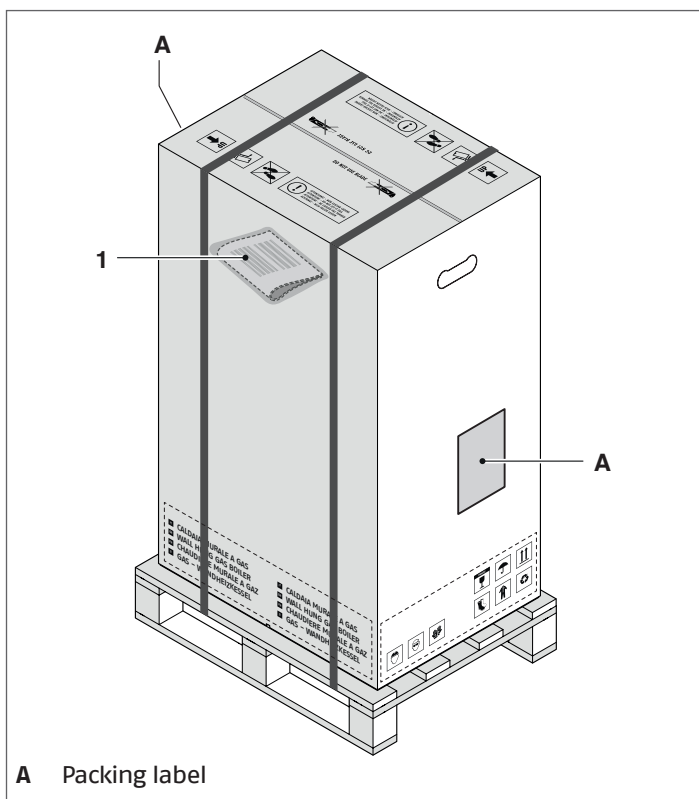
2.1 Unpacking the product

The **Condexa PRO** module is supplied on pallets, packed and protected by cardboard.

The following material is supplied in a plastic envelope inside the package (1):

- Instruction manual
- Warranty information leaflet **RIELLO**
- LPG conversion kit
- Wall-mounting bracket with plugs (no.4 plugs s=10 mm suitable for concrete, brick, compact stone and concrete hollow brick walls)
- Hydraulic test certificate
- Energy Efficiency Label (for models <68kW)

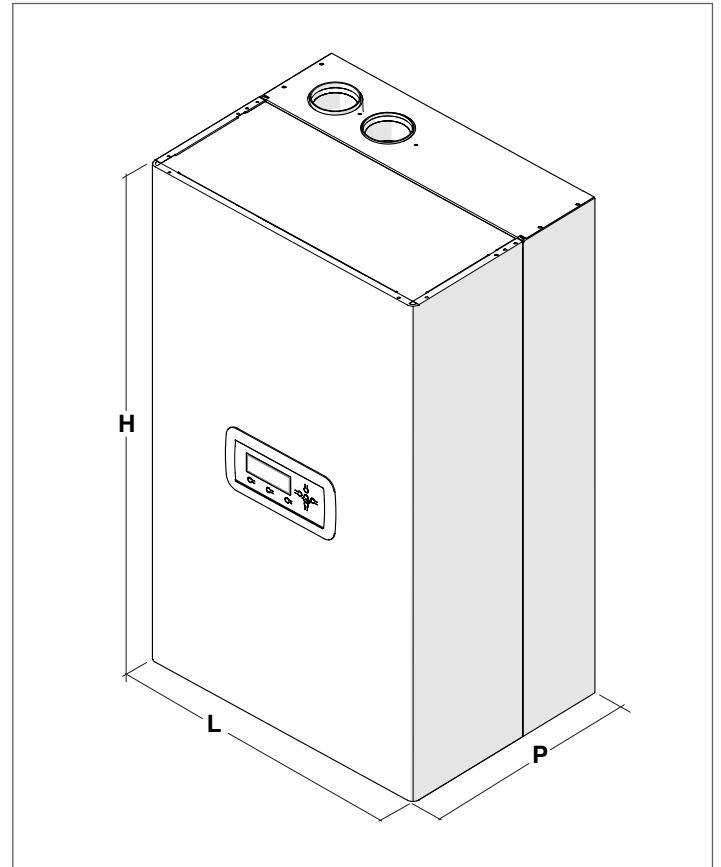
2.1.1 Positioning of labels



⚠ The instruction manual is an integral part of the appliance; therefore, it should be read and stored carefully.

⚠ Keep the documentation envelope in a safe place. Any replacement documents must be ordered from Riello S.p.A. who reserve the right to charge for the cost of the replacement.

2.2 Overall dimensions and weights



Description	Condexa PRO			
	57 P	70 P	90	
L	600	600	600	mm
P	435	435	435	mm
H	1000	1000	1000	mm
Net weight	78	78	81	kg

Description	Condexa PRO			
	100	115	135	
L	600	600	600	mm
P	435	435	435	mm
H	1000	1165	1165	mm
Net weight	81	93	97	kg

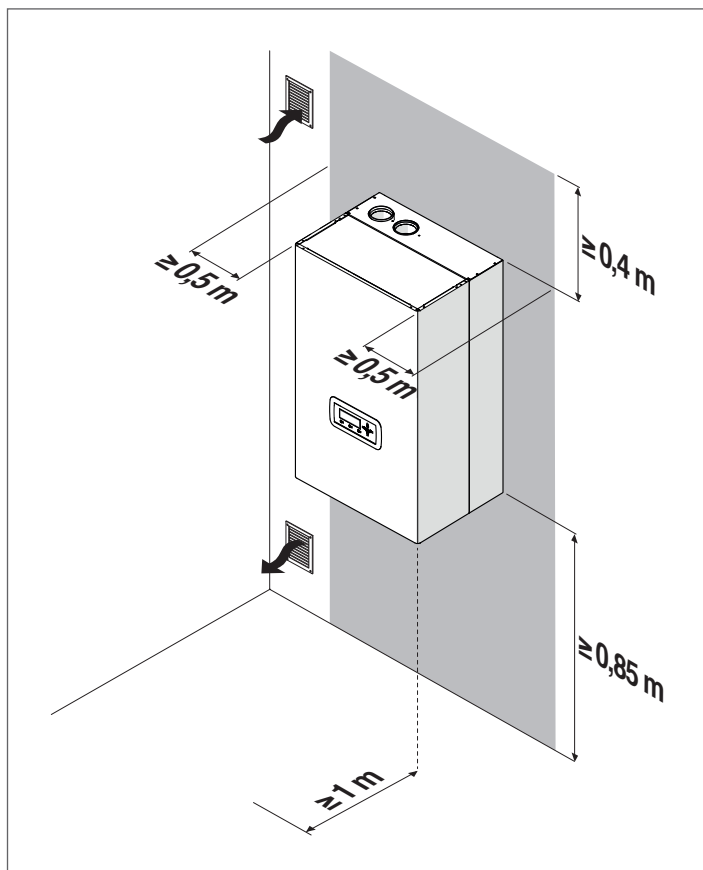
2.3 Installation premises

The **Condexa PRO** module can be installed in permanently ventilated environments fitted with suitably sized air vents compliant with the Technical Rules and Regulations in force at the installation site.

- ⚠** When installing the boiler, allow sufficient space around it to access all safety and control devices and to permit easy maintenance.
- ⚠** Check that the electric protection level of the appliance is suitable for features of the room where it is installed.
- ⚠** Make sure that comburent air is not contaminated by substances containing chlorine or fluorine (elements found in sprays, paints, detergents etc.).
- ⚠** The modules can only be installed outdoors with the use of the specific accessory.
- ⊖** Do not obstruct or restrict the air vents in the room where the boiler is installed. A free air supply is essential for correct combustion.
- ⊖** Never leave flammable containers and substances in the room where the module is installed.

2.3.1 Recommended minimum distances

Clearances for the assembly and the maintenance of the appliance are shown in the figure.



The minimum surface of ventilation openings is 3,000 cm² for gas fuel heating systems.

2.4 Installation in older systems and systems requiring modernisation

When installing these boilers in older systems or systems requiring modernisation, always perform the following checks:

- Make sure that the flue is able to withstand the temperature of the combustion gases and that it has been designed and made in compliance with applicable standards. The flue must also be as straight as possible, sealed, insulated and not blocked or choked. See Paragraph "Discharge of combustion products" for any additional information.
- Make sure that the electrical supply system has been installed by a qualified electrician in compliance with applicable standards
- Make sure that the fuel feed line and any storage tank are made and installed in compliance with applicable standards
- Make sure that expansion vessels are big enough to contain the additional volume generated by thermal expansion
- Make sure that the flow rate, head and direction of flow of the pumps are suitable and correct
- The system has been washed, cleaned of mud and grime and water seals have been checked
- A treatment system is fitted when the supply/refill water has values other than those indicated in Paragraph "Water quality requirements"

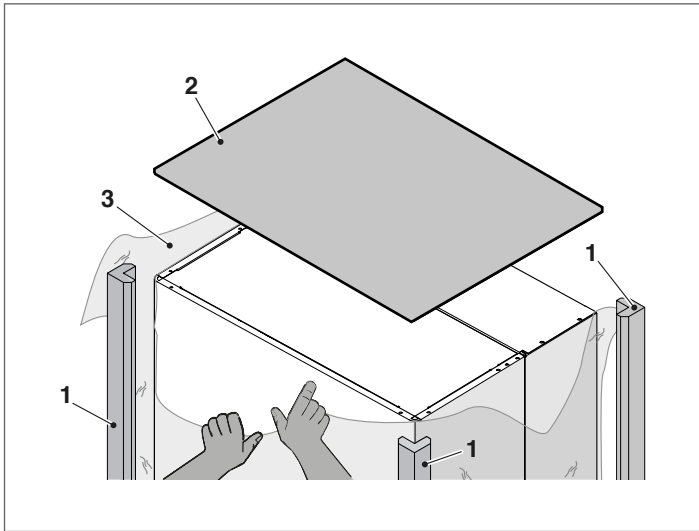
- ⚠** The manufacturer declines all responsibility for damage caused by incorrectly constructed flue systems.

2.5 Moving and removing the packing

- ⚠** Do not remove the cardboard packaging until you reach the installation location.
- ⚠** Before handling the appliance and removing the packaging, wear PPE and use tools suitable for the appliance's size and weight.
- ⚠** This step must be carried out by several individuals equipped with suitable means with respect to the appliance's size. Make sure that the load is not unbalanced during handling.

Proceed as follows to remove the packing:

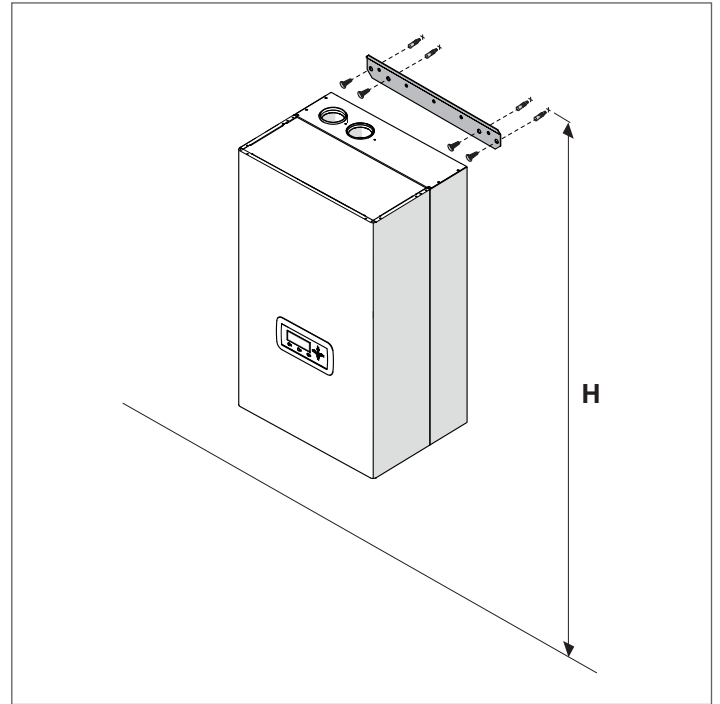
- Remove the strapping that secures the cardboard packaging to the pallet
- Remove the cardboard
- Remove edge protectors (1)
- Remove the Styrofoam protection (2)
- Remove the protective bag (3)



2.6 Fan assembly

The **Condexa PRO** modules are supplied with the wall mounting bracket provided.

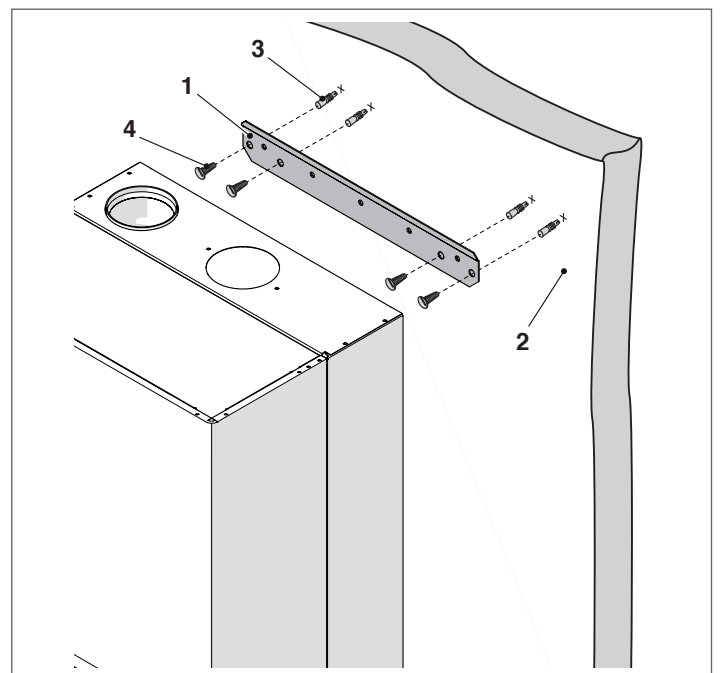
- ⚠** Check that the wall on which the appliance is to be fitted is sufficiently solid and supports safe screw fixing points.
- ⚠** The appliance's height must be selected so as to facilitate dismantling it and maintaining it.



Model	Height (H) mm
Condexa PRO 57 P	1850<H<2000
Condexa PRO 70 P	1850<H<2000
Condexa PRO 90	1850<H<2000
Condexa PRO 100	1850<H<2000
Condexa PRO 115	2000<H<2150
Condexa PRO 135	2000<H<2150

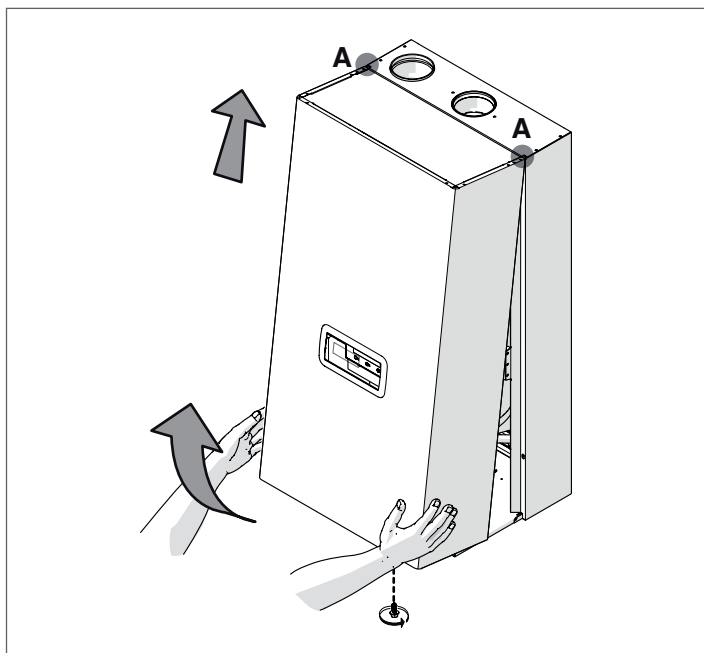
For installation:

- Position the bracket (1) onto the wall (2), at the point where you wish to install the appliance
- Ensure that the bracket is horizontal and mark the points where the holes for fixing plugs must be drilled
- Drill the holes and insert expansion plugs (3)
- Fix the bracket to the wall using the screws (4)
- Secure the appliance onto the bracket

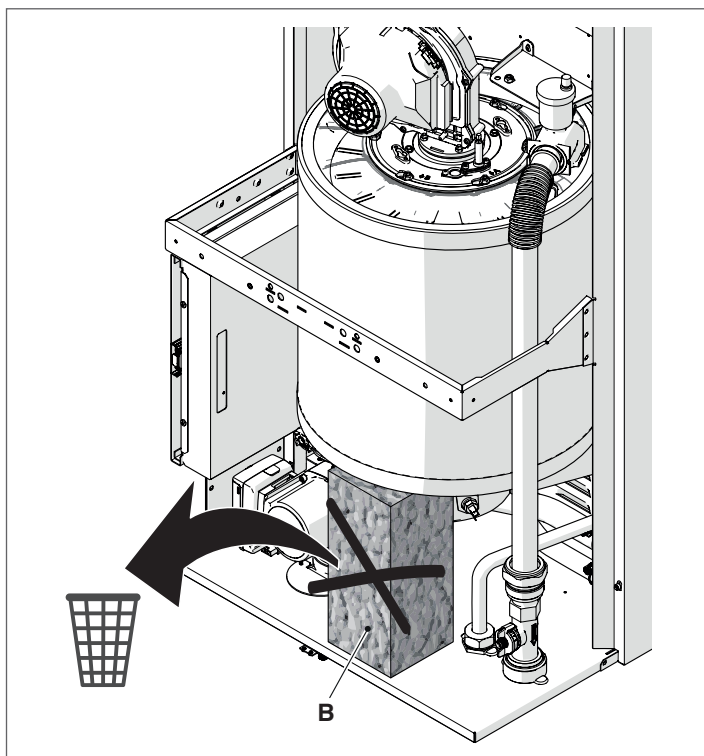


Once the module is installed:

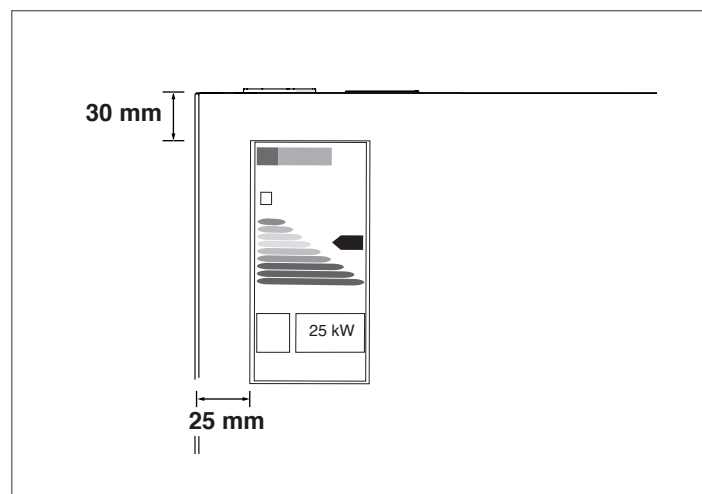
- remove the locking screw.
- pull the front panel outwards and then to the top to decouple it from points A.



- remove the polystyrene block (B) under heat exchanger (only for models Condexa PRO 90 - Condexa PRO 100 - Condexa PRO 115 - Condexa PRO 135).



Locate the envelope containing the product documentation and stick the Energy Efficiency Label (if any) contained in the envelope onto the panel.

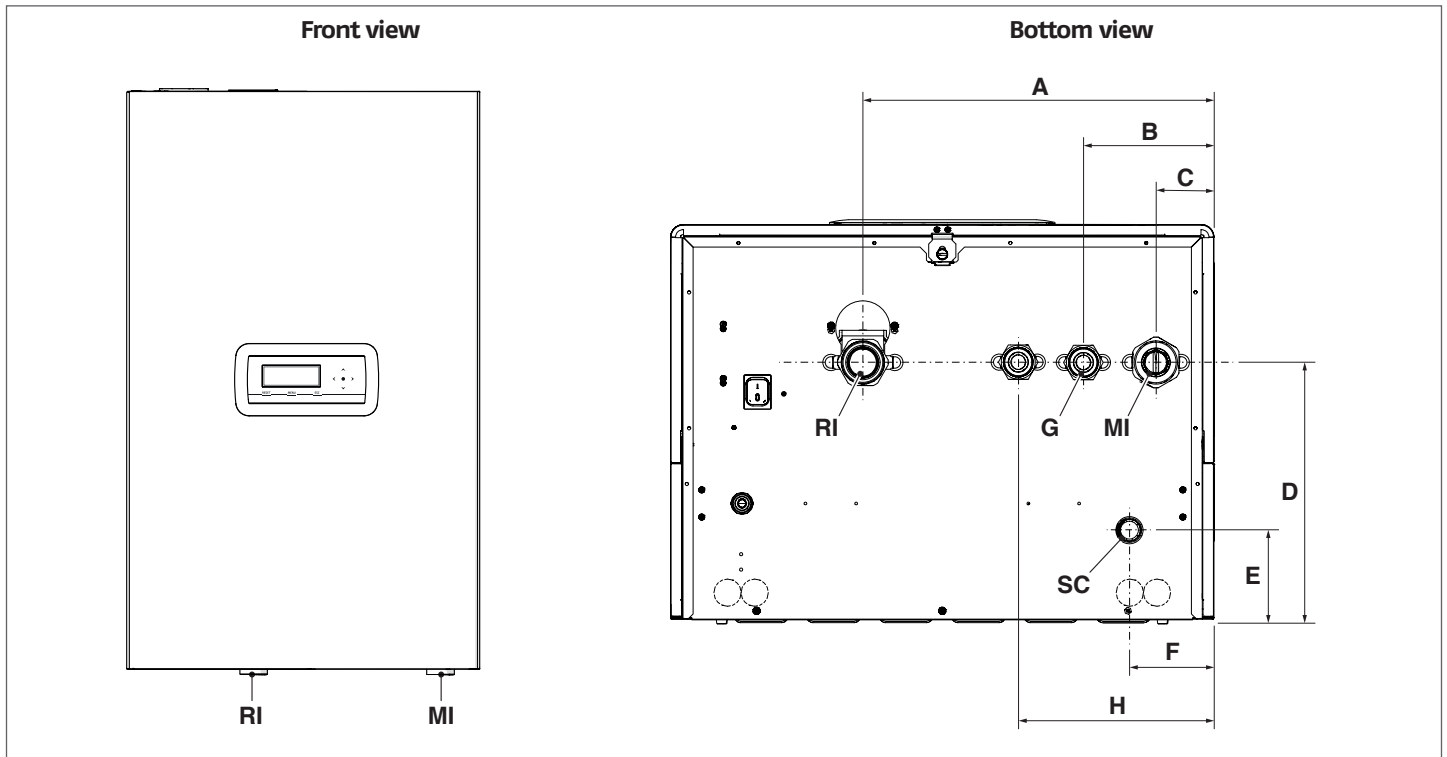


Close the panelling in reverse order to the one described above.

- ⚠ Before proceeding with the hydraulic connections the protection plugs must be removed from the delivery, return and condensate drain piping.

2.7 Water connections

The dimensions and positioning of the hydraulic fittings of the modules are shown in the table below.



DESCRIPTION	Condexa PRO						
	57 P	70 P	90	100	115	135	
A	387	387	387	387	387	387	mm
B	143,5	143,5	143,5	143,5	143,5	143,5	mm
C	63,5	63,5	63,5	63,5	63,5	63,5	mm
D	283,5	283,5	283,5	283,5	283,5	283,5	mm
E	98,5	98,5	98,5	98,5	98,5	98,5	mm
F	92,5	92,5	92,5	92,5	92,5	92,5	mm
H (optional 3-way valve attachment)	-	-	-	-	-	-	mm
MI (system flow)	G 1" 1/2 M	G 1" 1/2 M	G 1" 1/2 M	G 1" 1/2 M	G 1" 1/2 M	G 1" 1/2 M	∅
RI (system return)	G 1" 1/2 M	G 1" 1/2 M	G 1" 1/2 M	G 1" 1/2 M	G 1" 1/2 M	G 1" 1/2 M	∅
SC (condensate drain)	25	25	25	25	25	25	∅ mm
G (gas inlet)	G 1" M	G 1" M	G 1" M	G 1" M	G 1" M	G 1" M	∅

⚠ Before connecting the module, remove the protective caps from the delivery, return and condensate outlet pipes.

⚠ Before connecting the module, clean the system. This operation is absolutely necessary when replacing existing systems.

In order to carry out this cleaning activity, if the old generator is still installed on the system, it is advisable to:

- add a de-scaling additive.
- Operate the system with the generator on for around 7 days.
- Discharge dirty system water and flush the system one or more times with clean water.

If the system is very dirty, repeat the last procedure one more time.

If the old generator is not present or available, use a pump to circulate the water + additive through the system for about 10 days and perform a final washing as described in the previous paragraph.

After cleaning, we recommend adding a suitable protective liquid to the system water before installing the module.

In order to clean the heat exchanger's built-in water system, please contact Technical Assistance Service **RIELLO**.

⊖ Do not use incompatible liquid detergents, including acids (for instance, chloridric acid and similar) in any concentration.

⊖ Do not subject the heat exchanger to cyclical pressure changes because fatigue stress is very dangerous for the integrity of system components.

2.8 Typical water system schematics

1 Isolating valve	10 Pressure reducer	SE Outdoor sensor
2 Non-return valve	11 Boiler	MI High temperature system flow
3 Anti-scald mixer valve	12 Diverter valve	RI High temperature system return
4 Expansion tank	13 Pump (fitted as standard for models Condexa PRO 57 P and Condexa PRO 70 P)	EAF Domestic cold water inlet
5 Safety valve	14 High-temperature system circulator	UAC Domestic hot water outlet
6 Drain	15 Storage cylinder circulator	
7 Pressure gauge		
8 Pressure switch		
9 Water softener filter		

Diagram 1: circuit with module connected directly with heating system (check that the pump head is sufficient to ensure adequate circulation)

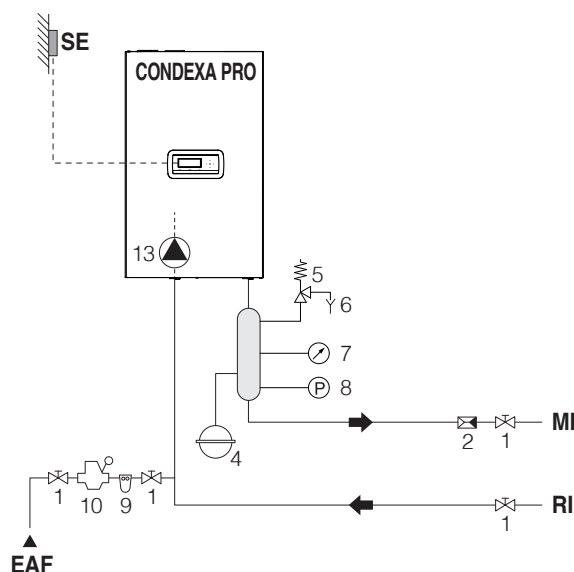
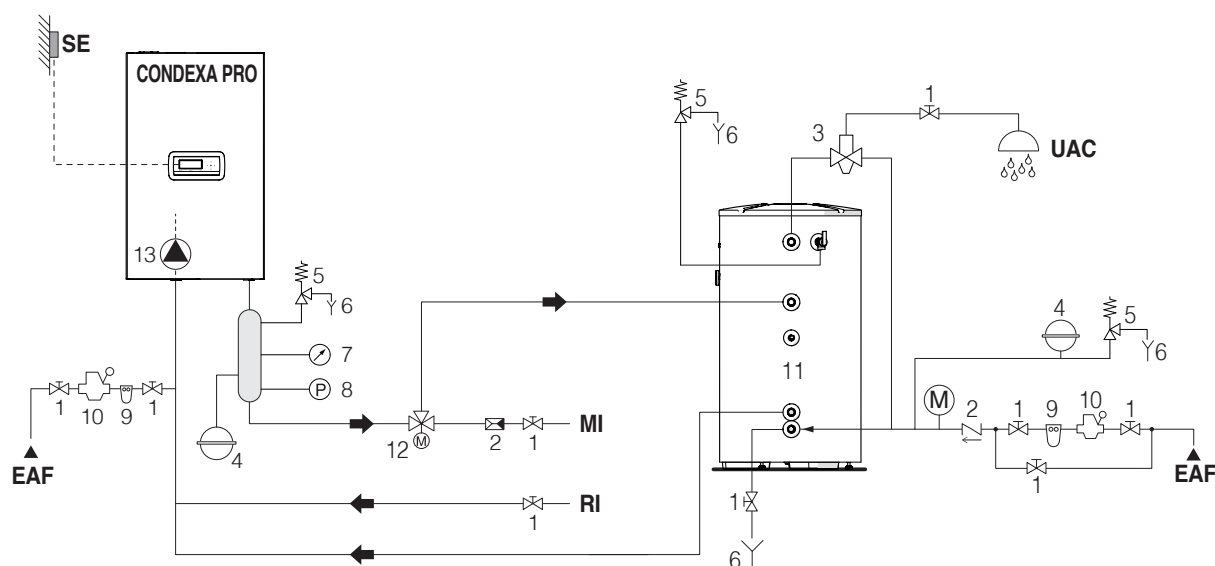


Diagram 2: circuit with module connected directly with heating system and DHW tank (check that the pump head is sufficient to ensure adequate circulation)



⚠ Domestic hot water and central heating circuits must be completed with expansion vessels of adequate capacity and suitable, correctly-sized safety valves. The discharge of safety valves and appliances must be connected to a suitable collection and disposal system (see Catalogue for compatible accessories).

⚠ The choice of system components and the method of their installation are left up to the heating engineer installing the system. Installers must use their expertise to ensure proper installation and functioning in conformity to all applicable legislation.

⚠ Special supply/refill water must be conditioned using suitable treatment systems.

⊖ Never operate the module and the pumps without water.

Diagram 3: circuit with module connected with heating system through separator

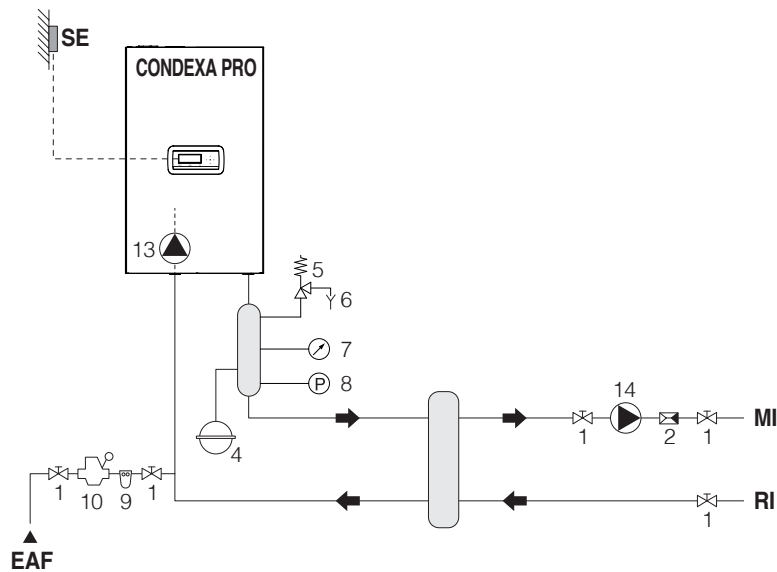
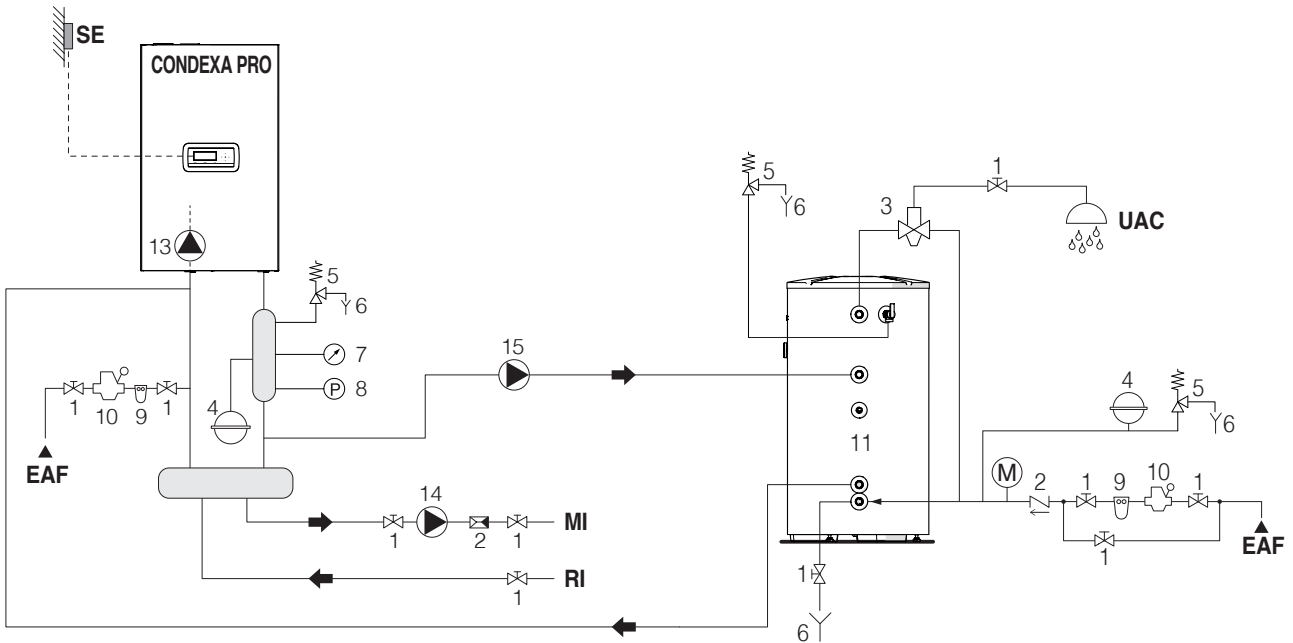
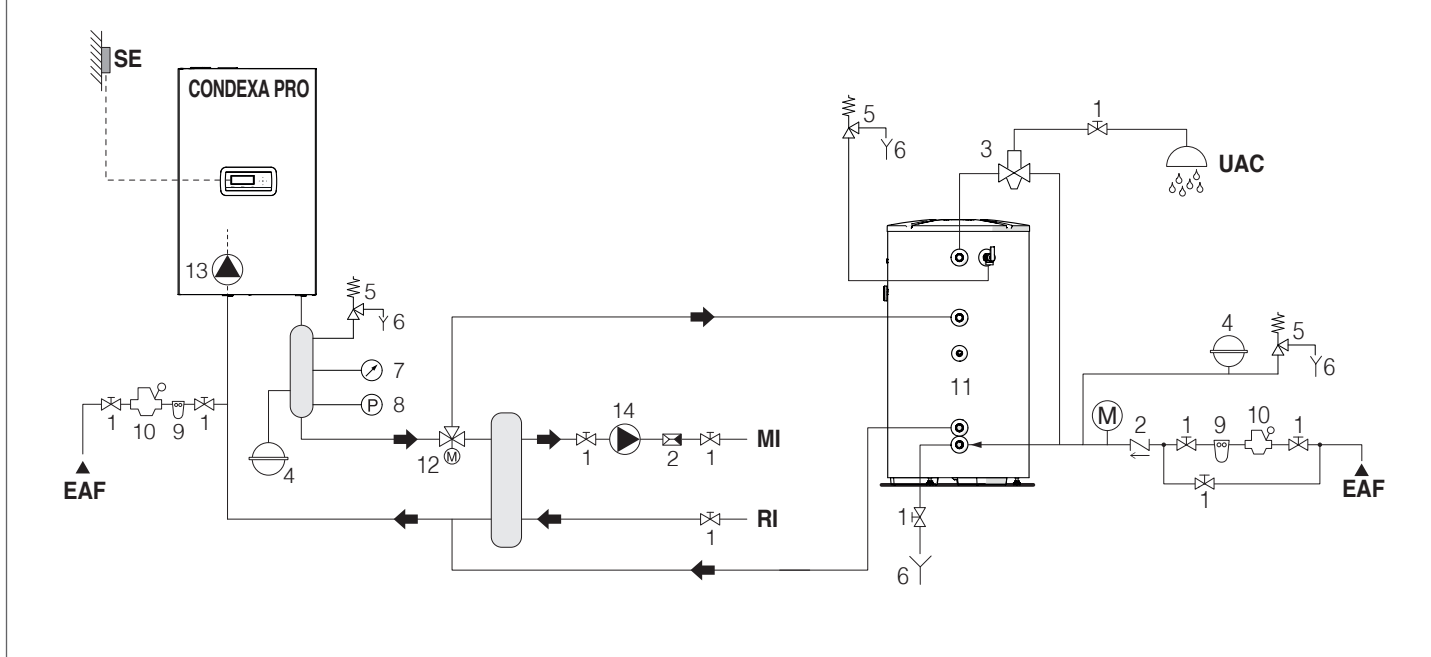


Diagram 4: circuit with module connected with DHW tank and heating system through separator



- ⚠** Domestic hot water and central heating circuits must be completed with expansion vessels of adequate capacity and suitable, correctly-sized safety valves. The discharge of safety valves and appliances must be connected to a suitable collection and disposal system (see Catalogue for compatible accessories).
- ⚠** The choice of system components and the method of their installation are left up to the heating engineer installing the system. Installers must use their expertise to ensure proper installation and functioning in conformity to all applicable legislation.
- ⚠** Special supply/refill water must be conditioned using suitable treatment systems.
- ⊘** Never operate the module and the pumps without water.

Diagram 5: circuit with module connected with heating system and DHW tank through separator



- ⚠** Domestic hot water and central heating circuits must be completed with expansion vessels of adequate capacity and suitable, correctly-sized safety valves. The discharge of safety valves and appliances must be connected to a suitable collection and disposal system (see Catalogue for compatible accessories).
- ⚠** The choice of system components and the method of their installation are left up to the heating engineer installing the system. Installers must use their expertise to ensure proper installation and functioning in conformity to all applicable legislation.
- ⚠** Special supply/refill water must be conditioned using suitable treatment systems.
- ⊖** Never operate the module and the pumps without water.

2.9 Gas connections

The gas connection must be made respecting the installation regulations in force, and sized to ensure the correct gas delivery to the burner.

Before making the connection, check that:

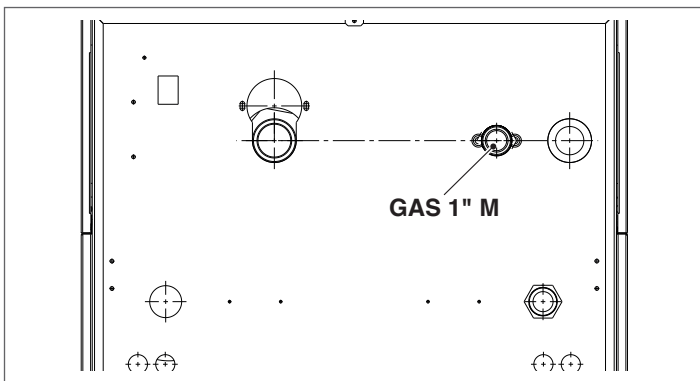
- ⚠** The gas type is suitable for the appliance
- ⚠** If the appliance needs to be adapted for use with another gas fuel, contact your local Technical Assistance Service to have the necessary modifications made. These operations may not be performed by the installer under any circumstances.
- ⚠** The piping is thoroughly clean
- ⚠** The gas meter's flow rate is capable of ensuring the simultaneous use of all the appliances connected to it. The appliance's connection to the gas supply line must be carried out in accordance with the current regulations.
- ⚠** Intake pressure with the appliance in the off position has the following reference values:
 - powered by methane gas: optimal pressure 20 mbar
 - powered by L.P.G.: optimal pressure 37 mbar
- ⊖** Do not use any fuels other than those provided under any circumstances.

While it is normal for the intake pressure to decrease while the appliance is in operation, it is advisable to verify that no excessive pressure fluctuations take place. To limit the extent of these variations, define the diameter of the gas intake pipe to be adopted according to the length and head loss of the pipe itself, from the meter to the module.

- ⚠** If fluctuations in the gas distribution pressure are encountered, it is recommended to install an appropriate pressure stabiliser upstream of the appliance's gas intake. For G30 and G31 gas supply, all the necessary precautions must be taken in order to prevent the gas from freezing in the case of extremely low outdoor temperatures.

If the gas distribution network contains solid particles, install a filter on the fuel supply line. When selecting it, consider that pressure drops due to the filter should be as low as possible.

- ⚠** On completion of the installation, check that all joints are sealed.

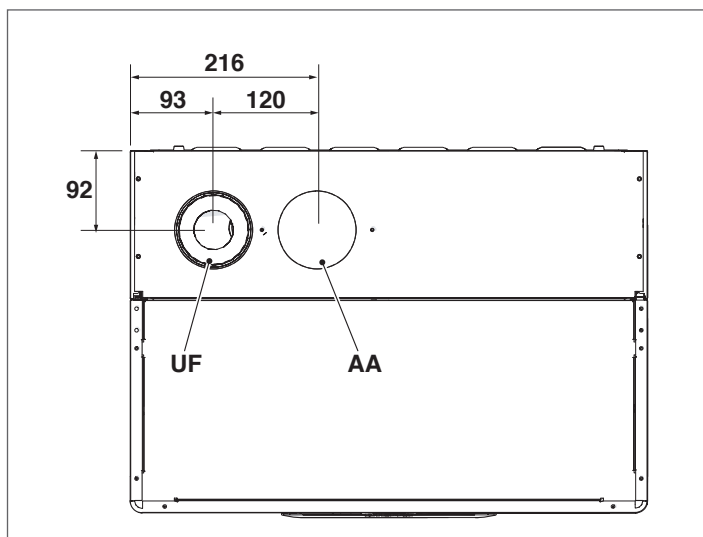


2.10 Discharge of combustion products

The appliance is supplied as standard in B-type configuration (B23-B23P-B53P), i.e. pre-fitted to suction air directly into the installation room and may be converted into a C-type appliance with the use of specific accessories. In this configuration, the appliance will suction the air directly from outdoors, with the possibility of coaxial or dual piping.

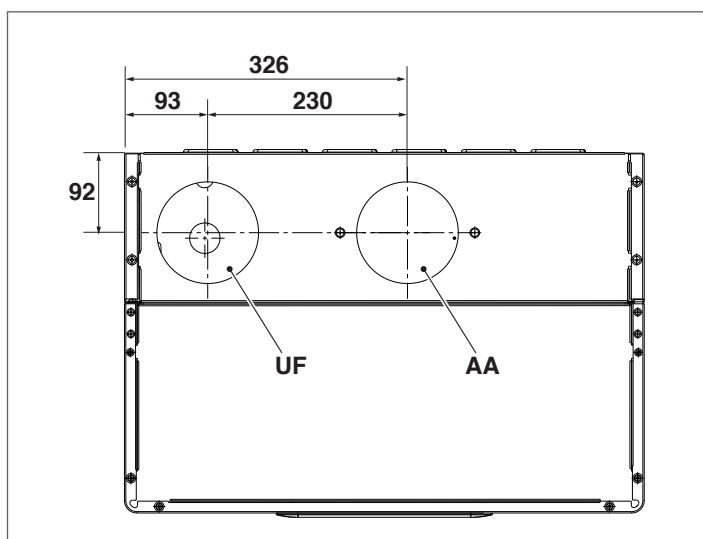
For flue gas extraction and the intake of combustion air, it is essential to use only specific pipes for condensing boilers and ensure that they are correctly connected, as shown in the instructions supplied with the flue gas accessories.

- ⚠** Do not connect this appliance's flue gas extraction pipes with those of other appliances, unless this is specifically authorised by the manufacturer. Non-compliance with this precaution may cause a build-up of carbon monoxide in the room where the appliance is installed. This could jeopardise people's health and safety.
- ⚠** For further information on evacuation ducts for modules connected in cascade, please refer to Catalogue and the instructions accompanying the relevant accessories.
- ⚠** Ensure that combustion air (suction line air) is not contaminated by:
 - waxes/chlorinated detergents
 - chemical products based on swimming pool chlorine
 - calcium chloride
 - sodium chloride use to soften tap water
 - refrigerant leaks
 - paint or varnish removers
 - chloridric acid/muriatic acid
 - cements and glues
 - anti-static softeners used in dryers
 - chloride used for domestic or industrial applications as detergent, whitener or solvent
 - adhesives used to glue construction and other similar products.
- ⚠** To prevent contamination of the module, do not install inlet air intakes and flue gas ducts near:
 - dry-cleaners/laundry rooms and factories
 - swimming pools
 - metal processing plants
 - beauty parlours
 - fridge repair shops
 - photo-processing facilities
 - body-shops
 - plastics manufacturing plants
 - furniture workshops and manufacturing plants.



The AA outlet is supplied capped in B23 configuration.

DESCRIPTION	Condexa PRO		
	57 P	70 P	
UF (flue gas outlet)	DN80	DN80	∅
AA (air suction)	DN80	DN80	∅



The AA outlet is supplied capped in B23 configuration.

DESCRIPTION	Condexa PRO				
	90	100	115	135	
UF (flue gas outlet)	DN110	DN110	DN110	DN110	∅
AA (air suction)	DN110	DN110	DN110	DN110	∅

⚠ For B-type installation, combustion air is taken from the environment and goes through the openings (shutters) on the rear panel of the device that must be located in a suitable and ventilated technical room.

⚠ Read the requirements, instructions and prohibitions detailed below carefully, since non-compliance with them may result in a safety hazard or the appliance's malfunction.

⚠ Condensation appliances described in this handbook must be installed with flue gas pipes compliant with applicable legislation and expressly manufactured for this specific use.

⚠ Check that pipes and joints are not damaged.

⚠ Joint seals must be executed with materials that withstand the condensate's acidity and the temperatures of the appliance's flue gases.

⚠ When installing flue pipes, always bear in mind the direction of the flue gases and of possible condensate flows.

⚠ Inadequate or incorrectly sized flue gas pipes may increase combustion noise, create condensate extraction issues and negatively impact on combustion parameters.

⚠ Check that pipes are suitably far (min. 500 mm) from flammable or heat-sensitive construction elements.

⚠ Make sure that condensation is not built up along the duct. For this purpose, provide a sloping duct of at least 3 degrees towards the appliance in case there is an a horizontal section. If the horizontal or vertical section is longer than 4 meters, a condensate siphon drainage must be provided at the base of the pipe. The useful height of the siphon must be at least equal to the value "H" (see figure below). The siphon discharge must then be connected to the sewerage system (see paragraph "Preparation for the condensate drain" on page 25).

⊖ It is prohibited to block or section the flue gas extraction pipe or the combustion air suction pipe, if any.

⊖ It is prohibited to use pipes that not designed for this application, because the condensate's action would damage them quickly.

Below are tables showing the maximum equivalent lengths for the different available models.

B TYPE INSTALLATION

Exhaust ∅ 80 mm

Model	Maximum length ∅ 80 mm	Pressure drop	
		45° bend	90° bend
Condexa PRO 57 P	30 m	1,5 m	5 m
Condexa PRO 70 P	30 m	1,5 m	3 m

Exhaust ∅ 110 mm

Model	Maximum length ∅ 110 mm	Pressure drop	
		45° bend	90° bend
Condexa PRO 90	30 m	1,5 m	3 m
Condexa PRO 100	30 m	1,5 m	3 m
Condexa PRO 115	30 m	1,5 m	3 m
Condexa PRO 135	30 m	2 m	4 m

C TYPE INSTALLATION

Double pipes Ø 80–125 mm

Model	Maximum length Ø 80–125 mm	Pressure drop	
		45° bend	90° bend
Condexa PRO 57 P	15 m	2 m	6 m
Condexa PRO 70 P	15 m	2 m	6 m

Double pipes Ø 110–160 mm

Model	Maximum length Ø 110–160 mm	Pressure drop	
		45° bend	90° bend
Condexa PRO 90	15 m	2 m	6 m
Condexa PRO 100	15 m	2 m	6 m
Condexa PRO 115	15 m	2 m	6 m
Condexa PRO 135	15 m	4 m	8 m

Double pipes Ø 60–100 mm

Model	Maximum length Ø 60–100 mm	Pressure drop	
		45° bend	90° bend
Condexa PRO 57 P	10 m	2 m	4 m
Condexa PRO 70 P	10 m	3 m	6 m

Separate pipes Ø 80 mm + Ø 80 mm

Model	Maximum length Ø 80 + Ø 80 mm	Pressure drop	
		45° bend	90° bend
Condexa PRO 57 P	15 m + 15 m	1,5 m	3 m
Condexa PRO 70 P	15 m + 15 m	1,5 m	3 m

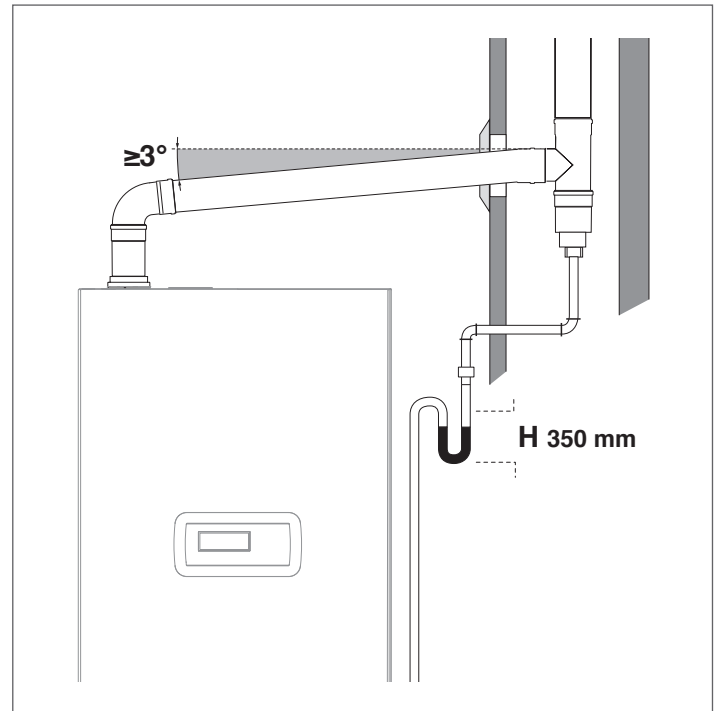
Separate pipes Ø 110 mm + Ø 110 mm

Model	Maximum length Ø110 + Ø110 mm	Pressure drop	
		45° bend	90° bend
Condexa PRO 90	15 m + 15 m	1,5 m	3 m
Condexa PRO 100	15 m + 15 m	1,5 m	3 m
Condexa PRO 115	15 m + 15 m	1,5 m	3 m
Condexa PRO 135	15 m + 15 m	2 m	4 m

The table with available residual discharge heads is shown below.

Description	Discharge head	
	Max	Min
Condexa PRO 57 P	510	35
Condexa PRO 70 P	630	35
Condexa PRO 90	560	32
Condexa PRO 100	610	32
Condexa PRO 115	500	30
Condexa PRO 135	353	28

The residual discharge head values are shown in Pascal.



To change direction, use a T section with an inspection cap to permit easy access for cleaning inside the pipe. After cleaning, always make sure that inspection caps are replaced tightly and that their seals are undamaged and efficient.

2.10.1 Preparation for the condensate drain

The evacuation of condensate produced by the **Condexa PRO** appliance during normal operation must be carried out by means of a siphoned condensate collector placed underneath the module itself. This collector is available as an accessory for models Condexa PRO 57 P ÷ Condexa PRO 135.

The condensate coming out of the drainer must be collected for dripping into a taped vessel connected to the sewer system, if necessary by interposing a neutralizer (for more information see paragraph "Neutralising the condensate"), according to the following procedure:

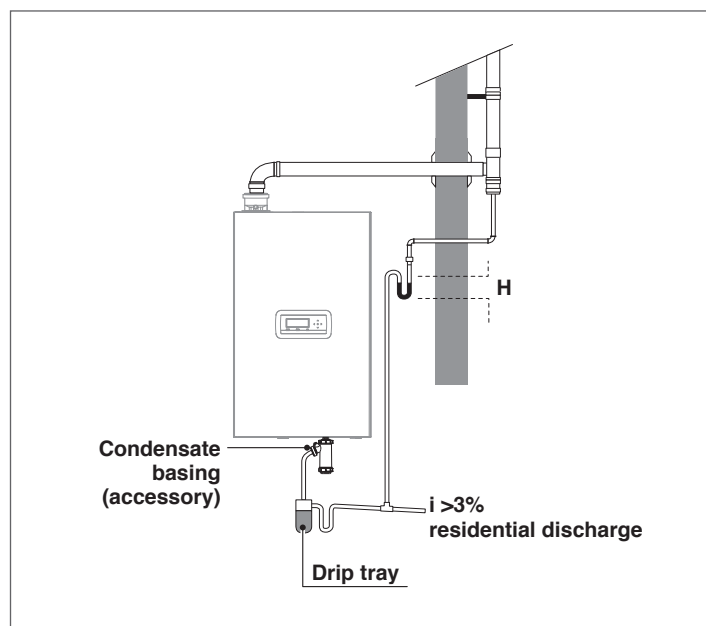
- Fit a drip tray near the condensate discharge outlet, adding a condensate neutraliser if necessary
- Connect the drip collection receptacle to the local drain or sewer system using a siphon.

The drip tray can be created by fitting a cup or simply a polypropylene bend, suitable for collecting the condensate that comes out of the appliance and any liquid leaking from the safety valve. The maximum distance between the condensate drainage of the appliance and the socket (or socket pipe) must not be less than 10 mm.

The connection to the local drain or sewer system must be executed using a siphon in order to prevent unpleasant odours from being released back into the room from the sewer.

We advise using plastic (PP) piping for building the condensate drainage.

⊘ Never use copper pipes under any circumstances, as the condensate itself will cause them to rapidly deteriorate.



⚠ Execute the condensate drain outlet so as to prevent combustion gases leaking into the environment or the drain or sewage system by sizing the siphon (height H) as described in Paragraph "Discharge of combustion products".

⚠ Always maintain a slope angle "s" of over 3° and ensure that the diameter of any condensate drain pipe is greater than that of the connection fitted at the drain outlet.

⚠ Connect the condensate drain hose to a domestic water drain in accordance with national and local legislation and standards.

⚠ Fill the siphons with water before switching on the module, avoiding the release of combustion products into the environment during the first few minutes of switching on the module.

⚠ The condensate drain must be suitably siphoned. Fill the siphon with drain in order to prevent the release of combustion products when the appliance is first switched on.

⚠ Both the products from the condensate outlet of the module and the condensate from the flue-gas stack should flow into the same outlet duct.

⚠ The connection pipes used must be as short and as straight as possible. Any curves or sharp bends can lead to hoses becoming clogged and, therefore, can prevent proper condensate discharge.

⚠ Size the condensate drain outlet so as to ensure the proper drainage of waste liquids without leaks.

⚠ The condensate drain must be connected to the drain and sewage network in such a ways so that the condensate may not freeze under any circumstances.

2.11 Neutralising the condensate

The UNI 11528 standard requires the neutralisation of condensate for systems with a total power exceeding 200 kW. Neutralisation for systems with a total power ranging between 57 and 200 kW may or may not be required. It depends on the number of flats (for residential applications) or the number of occupants (for non-residential applications) served by the system.

2.11.1 Water quality requirements

It is **ABSOLUTELY NECESSARY** to treat the water system in order for the heat generator to work properly and to guarantee its service life, as well as that of all its components. This not only applies to jobs carried out on existing installations but also on new installations.

Sludge, lime-scale and pollutants contained in the water can cause permanent damage to the heat generator, also within a short time and notwithstanding the quality standards of the materials used.

Contact the Technical Assistance Service for any further information on type and use of additives.

The heat transfer fluid (water) for the central heating circuit must conform to the quality parameters given in the following table:

Parameters	Value	Unit
General characteristic	Colourless, without sediment	
PH value	Min. 6.5; Max. 8	PH
Dissolved oxygen	< 0,05	mg/l
Total iron (Fe)	< 0,3	mg/l
Total copper (Cu)	< 0,1	mg/l
Na2SO3	< 10	mg/l
N2H4	< 3	mg/l
PO4	< 15	mg/l
CaCO3	Min. 50 ; Max.150	ppm
Trisodium phosphate	None	ppm
Chlorine	< 100	ppm
Electrical conductivity	<200	µS/cm
Pressure	Min. 0.6; Max. 6	bar
Glycol	Max. 40% (only propylene glycol)	%

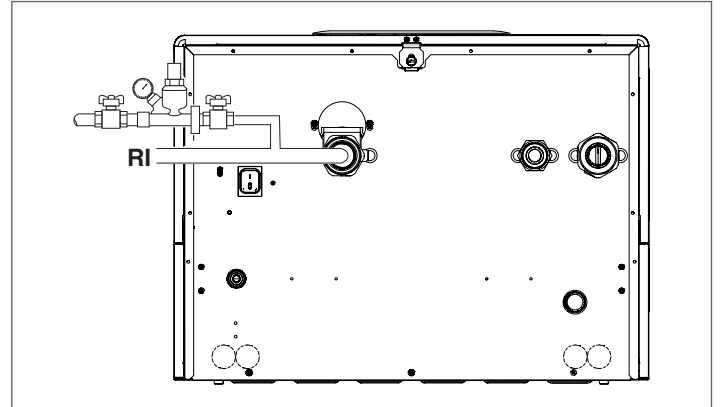
- ⚠** All data in the table refer to water contained in the system after 8 weeks' operation.
- ⚠** Do not use excessively softened water. Excessive water softening (total hardness < 5°f) could lead to corrosion on contact with metal elements (pipes or module parts)
- ⚠** Immediately repair any leaks or drips that could result in air entering the system
- ⚠** Excessive pressure fluctuations can cause stress and fatigue to the heat exchanger. Keep the operating pressure constant.
- ⚠** Water used to fill a system for the first time and water used to top it up must always be filtered (using synthetic or metal mesh filters with a filtration rating of no less than 50 microns) to prevent sludge from forming and triggering deposit corrosion.
- ⚠** If oxygen enters a circuit continuously or even intermittently (e.g. in under-floor heating systems whose pipes are not protected by impermeable synthetic sheaths, in circuits with open expansion vessels, or in circuits that require frequent top-ups) always separate the boiler's water circuit from the central heating circuit.
- ⊖** It is strictly prohibited to constantly or frequently top up the heating system, as this can damage the heat exchanger of the module. The use of automatic topping up systems should be avoided for this reason.

To sum up, in order to eliminate contact between air and water (and to prevent the latter from becoming oxidized), it is necessary:

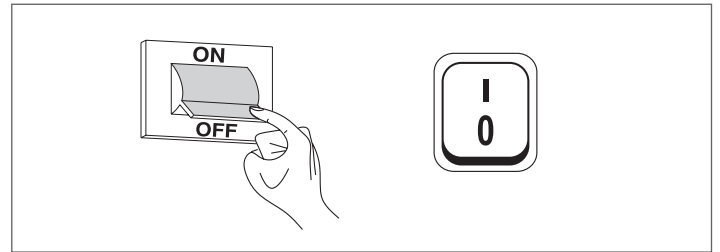
- that the expansion system be a closed vessel, correctly sized and with the correct pre-loading pressure (to be regularly checked);
 - that the system be always at a pressure higher than the atmospheric one at any point (including the pump suction side) and under any operating conditions (all seals and hydraulic couplings in a system are designed to withstand pressure towards the outside, but not under-pressure);
 - the installation be not made with gas-permeable materials (e.g. plastic pipes without oxygen barrier for under-floor heating systems)
- ⚠** Faults suffered by the module, caused by build-up and corrosion, are not covered by warranty. Furthermore, failure to comply with the water requirements listed in this chapter will result in the voiding of the appliance's warranty.

2.12 System filling and emptying

For the **Condexa PRO** module it is necessary to include a charging system to be connected to the return line of the appliance.

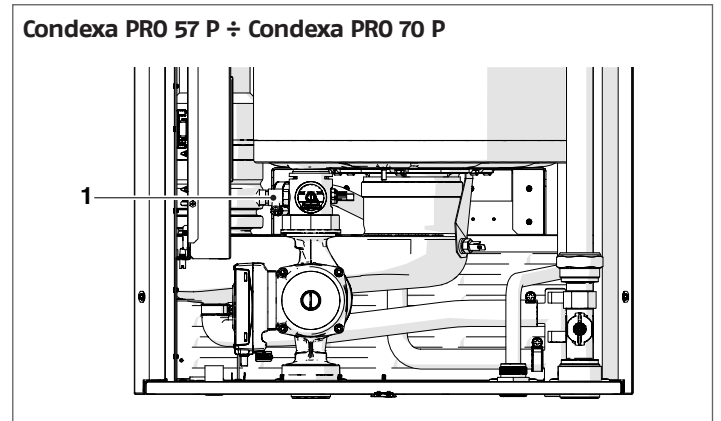


Before filling and emptying the system, set the system's power switch to OFF and the module's main switch to (0).



2.12.1 Filling

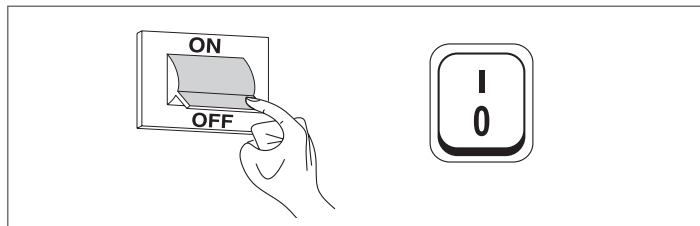
- Make sure that drain cocks (1) are closed before you start loading the system



2.12.2 Emptying

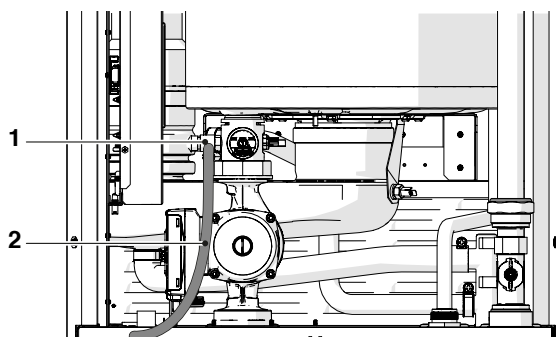
Before starting to empty the appliance and the storage cylinder:

- Set the system's power switch to OFF and the module's main switch to (0).

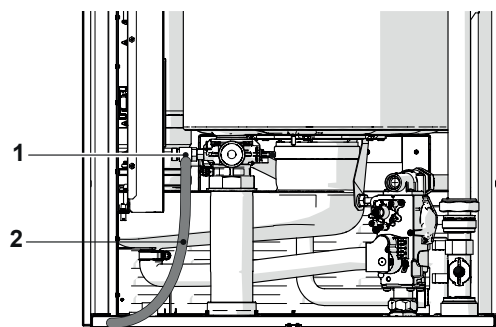


- Close the water supply shut-off cocks;
- To empty the appliance, connect a rubber hose (2) (internal diameter $\varnothing_{int}=12\text{mm}$) to the hose connector of the module's drain valve (1).

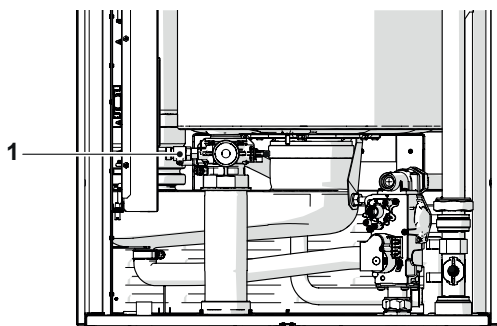
Condexa PRO 57 P ÷ Condexa PRO 70 P



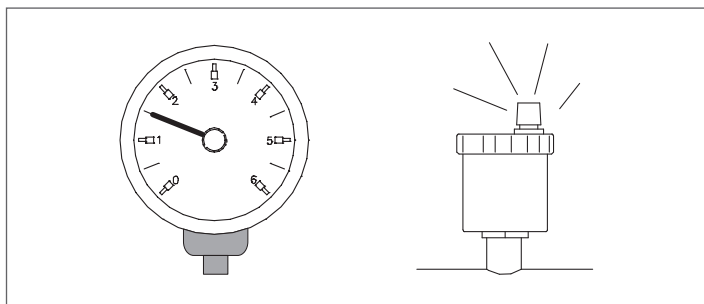
Condexa PRO 90 ÷ Condexa PRO 135



Condexa PRO 90 ÷ Condexa PRO 135



- Unscrew the vent valve's release cap
- Open the shut-off cocks in order to slowly fill the system
- Use the pressure gauge to check that the pressure is rising and the water is exiting through the vent valves
- Close the shut-off cocks after the pressure reaches 1.5 bar
- Proceed with the start-up of the system's pumps and the module's pump as described in the paragraph "Commissioning and maintenance"
- During this stage, check that the air is correctly eliminated
- Restore the pressure if necessary
- Switch the pumps off and on again
- Repeat the last three steps until the pressure is stabilised

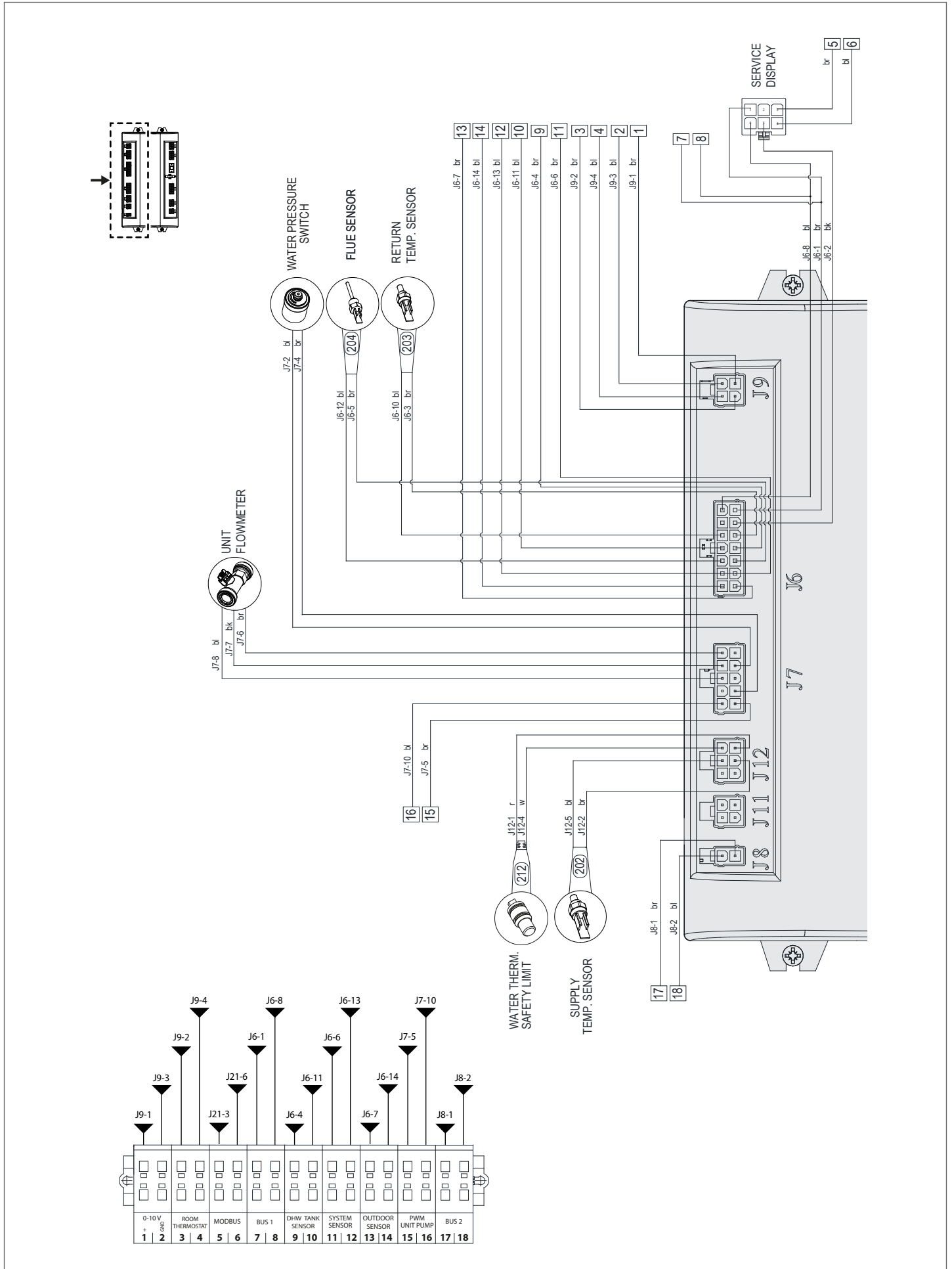


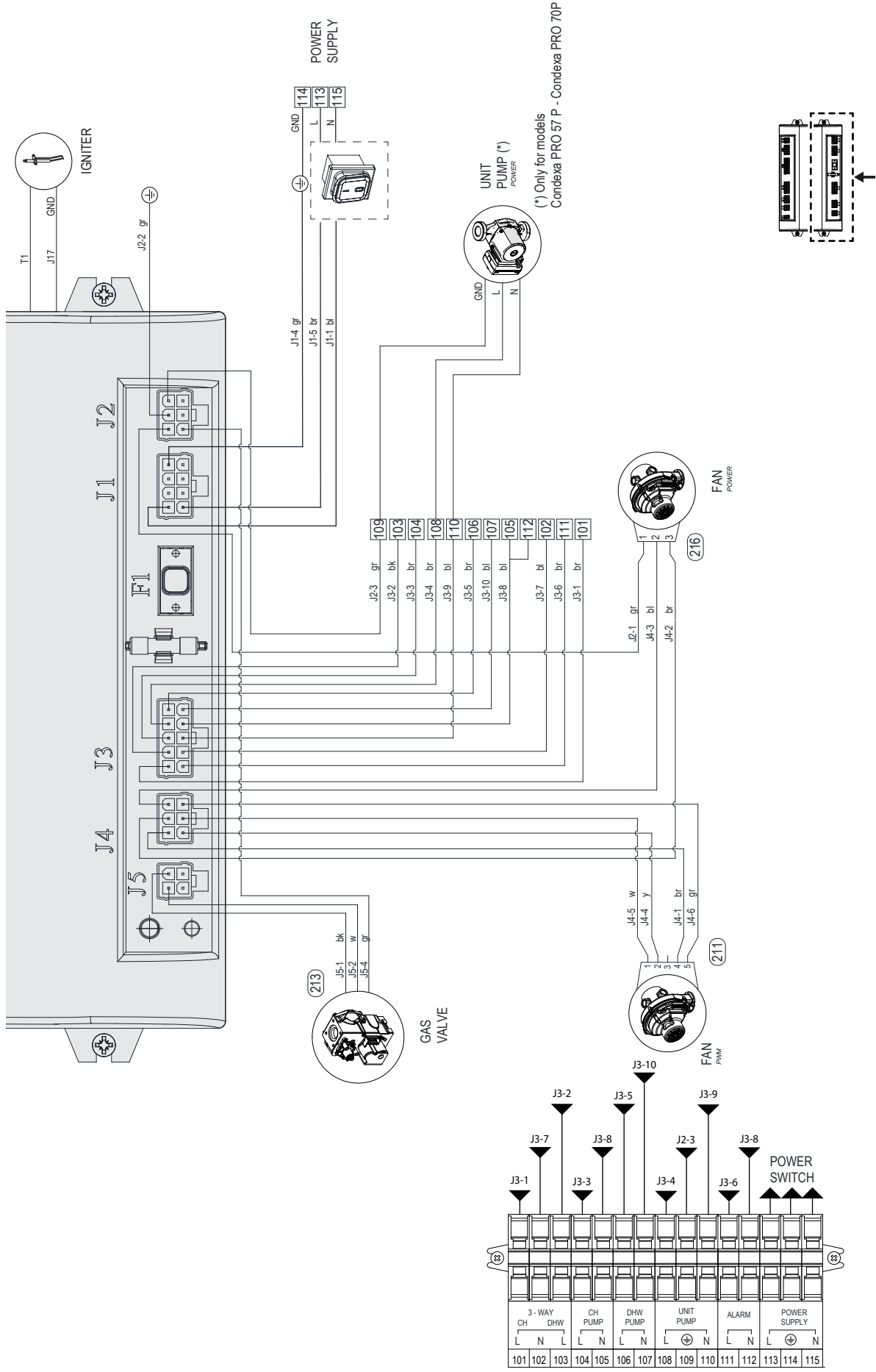
⚠ The system must be filled up slowly the first time; once it is filled and the air expelled it should never need to be topped up again.

⚠ Systems should also be operated at maximum working temperature the first time they are started up, in order to facilitate de-aeration. (Gas is not released from the water at low temperatures).

⚠ An automatic spurge can be performed during the first ignition. The parameter that set the cycle is Par. 139. See parameter table for more information.

2.13 Wiring diagram





For information on the electrical connections for the accessories, refer to the wiring diagrams in "Electrical connections".

2.14 Electrical connections

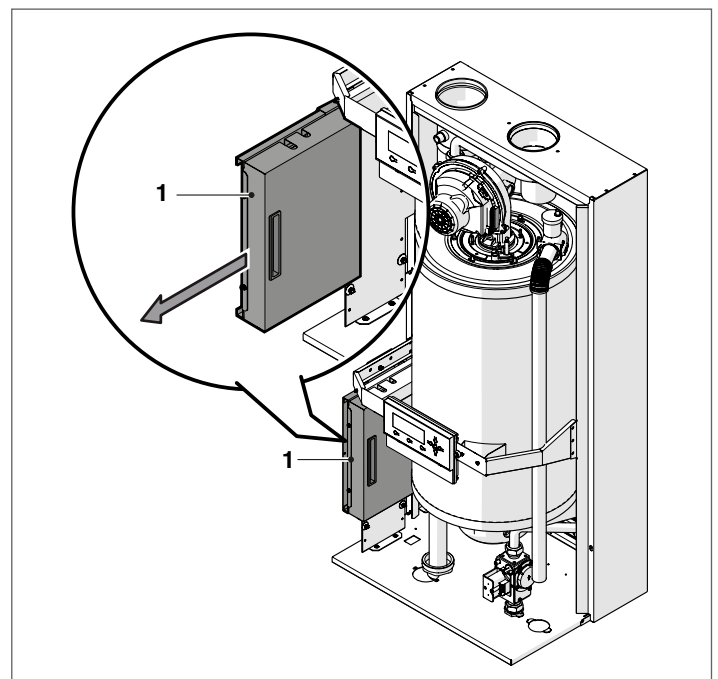
The **Condexa PRO** module leaves the factory fully wired and only requires connection to the electric power supply, room thermostat/heat request and any other system components.

- ⚠ The following is mandatory:
 - The use of an omnipolar magnetothermic switch, line disconnecting switch in compliance with CEI-EN standards (contact opening of at least 3 mm)
 - Respect the connection L (line) - N (neutral). Keep the earth conductor 2 cm longer than the power supply conductors
 - Use cables with a section greater than or equal to 1.5 mm², complete with cable terminal caps
 - Refer to the wiring diagrams in this manual for all electric operations.
- ⚠ The use of adaptors, multiple sockets and extensions to power the appliance is not allowed.
- ⚠ to connect external electric components, it is necessary to use auxiliary relays and/or contactors to be fitted in a dedicated external electrical panel.
- ⚠ Any work on the electrical system must be carried out only by qualified personnel in compliance with all legal provision and safety regulations in particular.
- ⚠ Secure the cables into the dedicated cable ties in order to always guarantee their correct positioning within the appliance.
- ⚠ Electrical supply cables and control cables (room/heat demand thermostat, external temperature probes, etc.) must be strictly separate the one from the other and fitting inside independent ribbed PVC sheaths up to the electrical panel.
- ⚠ The connection to the electrical power supply must be performed using type 1 sheathed cables (3 x 1,5) N1WK or equivalent, while simple N07VK type or equivalent conductors can be used for the thermoregulation and low voltage circuits.
- ⚠ If the electrical power provided by the electrical company is of "PHASE-PHASE" connection type, preventively contact the nearest Technical Assistance Service.
- ⚠ Never shut the appliance off during normal operation (with the burner on) by shutting off the electrical power supply using the On-Off key or an external switch. This could cause the primary heat exchanger to overheat.

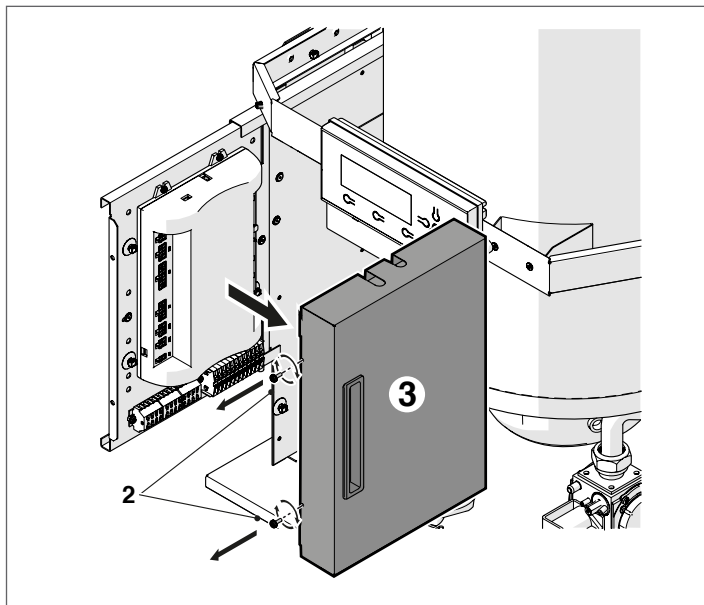
- ⚠ To switch it off (during the heating stage) use a room/heat demand thermostat. The On-Off key can only be actioned whilst the appliance is in stand-by or emergency mode.
- ⚠ Before connecting any external electrical components to the appliance (regulators, electric valves, climate control probes, etc.), check to make sure that their electrical characteristics are compatible with the available inputs and outputs (voltage, absorption, acceleration current).
- ⚠ The temperature sensors are type NTC. Only use with **RIELLO** parts.
- ⚠ Always check the proper operation of the "grounding conductor" for the electrical system to which the appliance will be connected.
- ⚠ **RIELLO** shall bear no responsibility for any personal injuries or property damage caused by non-compliance with wiring diagrams or the electrical system's incorrect/lacking connection to the grounding system, or by non-compliance with applicable CEI Standards.
- ⊖ It is strictly forbidden to use pipes of any kind to ground the appliance.
- ⊖ It is prohibited to lay power supply and room/heat demand thermostat cables near hot surfaces (delivery pipes). If they may come into contact with parts that have a temperature of over 50°C, use a suitable type of cable.
- ⊖ It is prohibited to touch electric appliances with damp/wet body parts or when your feet are wet.
- ⊖ It is prohibited to leave the appliance exposed to weather elements (rain, sun, wind, etc.) unless it is equipped with the relevant weatherproof kit.
- ⊖ Never pull, unplug or twist the cables, even if the module is disconnected from the electric power supply.

Proceed as follows to access the control panel terminals:

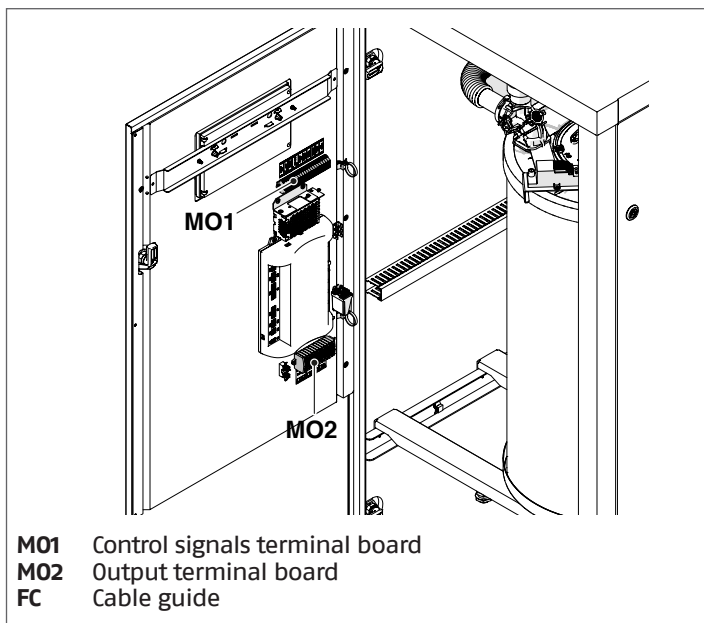
- Remove the locking screws and the panel's front side
- Pull and slide the electrical panel's box towards the outside (1)



Loosen the fixing screws (2) and remove the protection (3)



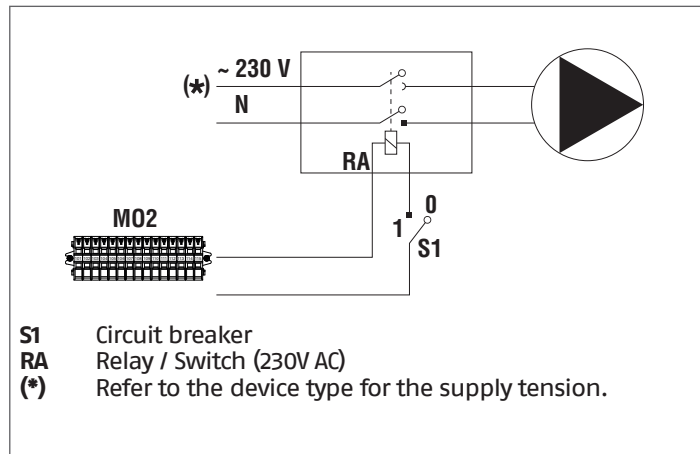
- Identify the low-tension terminal board (M01) and the high-tension terminal board (M02)



M01 Control signals terminal board
M02 Output terminal board
FC Cable guide

⚠ For the connection of the devices connected to the jig (pumps, circulators and diverting / mixing valves) use interposed relays unless the maximum absorption of all components connected to the board (including the module circulator) is less than or equal to 1.5 A. Relays sizing lays on the installer depending on the type of connected device.

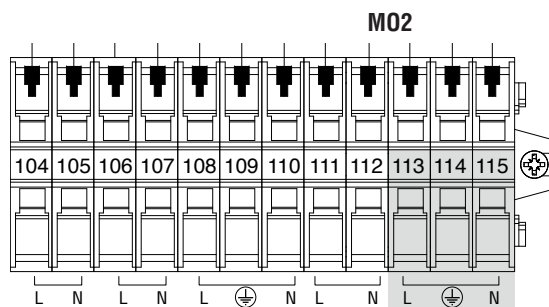
For connection, see the following figure:



S1 Circuit breaker
RA Relay / Switch (230V AC)
(*) Refer to the device type for the supply tension.

- Execute electrical wiring in compliance with the diagrams shown below

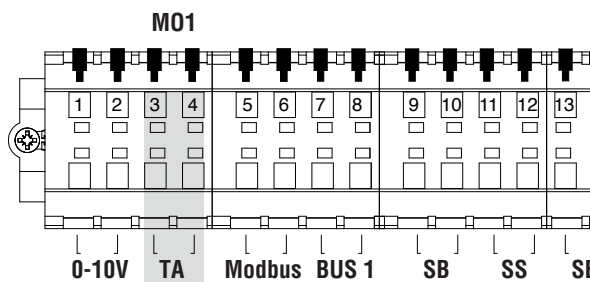
Power supply



L Live
N Neutral
PE Earth/ground

230V ~ 50Hz

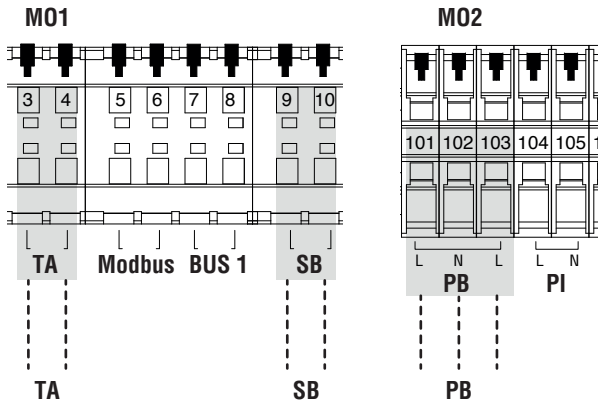
Electrical wiring referred to layout 1 at page "19".



TA Room/heat demand thermostat

REMARKS The room thermostat connection must be dry (no voltage).

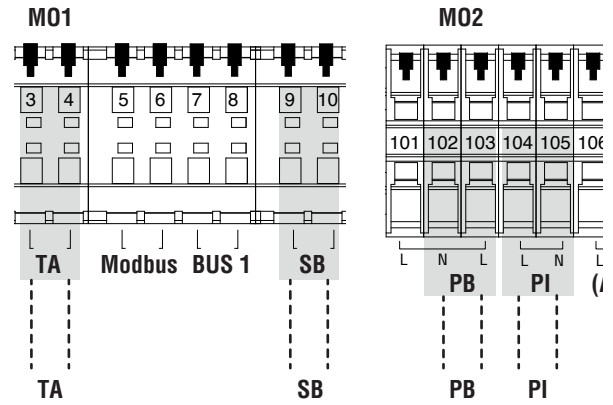
Electrical wiring referred to layout 2 at page "19".



- TA** Room/heat demand thermostat
- SB** Connect to the storage cylinder probe (Mod. San. 1) or to the storage cylinder thermostat (Mod. San. 2)
- PB** Connect to the deviating valve (13). Contacts 101-102 control the deviation on heating, contacts 102-103 control the deviation on domestic hot water

REMARKS The room thermostat connection must be dry (no voltage).

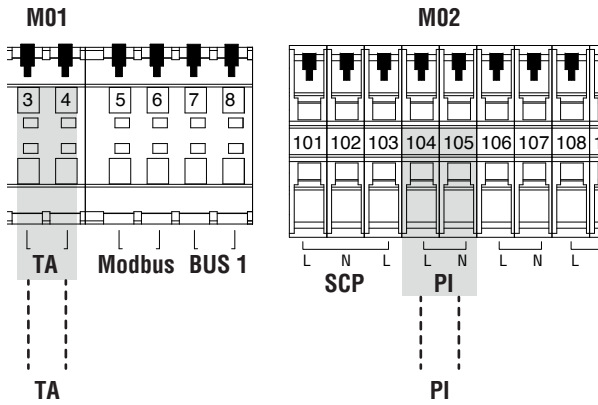
Electrical wiring referred to layout 4 at page "20".



- TA** Room/heat demand thermostat
- SB** Connect to the storage cylinder probe (Mod. San. 1) or to the storage cylinder thermostat (Mod. San. 2)
- PB** Connect to the water pump
- PI** Connect to the high temperature system pump

REMARKS The room thermostat connection must be dry (no voltage).

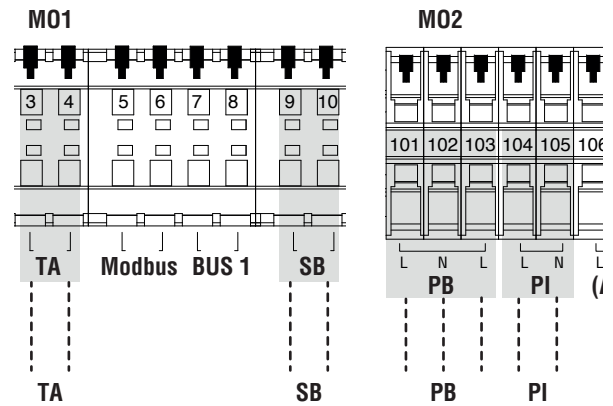
Electrical wiring referred to layout 3 at page "20".



- TA** Room/heat demand thermostat
- PI** High-temperature system circulator

REMARKS The room thermostat connection must be dry (no voltage).

Electrical wiring referred to layout 5 at page "21".



- TA** Room/heat demand thermostat
- SB** Connect to the storage cylinder probe (Mod. San. 1) or to the storage cylinder thermostat (Mod. San. 2)
- PB** Connect to the deviating valve (13). Contacts 101-102 control the deviation on heating, contacts 102-103 control the deviation on domestic hot water
- PI** Connect to the high temperature system pump

REMARKS The room thermostat connection must be dry (no voltage).

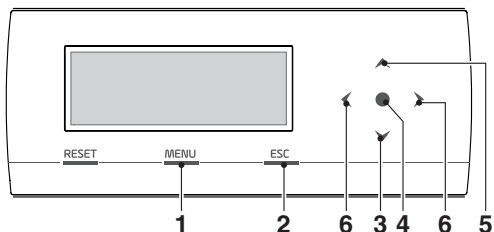
⚠ Some electric connections of the power jig have a double function. In particular, for the main block diagrams 2 and 5 where no boiler pump is provided, the two-way valve of each module must be connected to the 101-102-103 terminals as shown above.

2.15 Electronic control

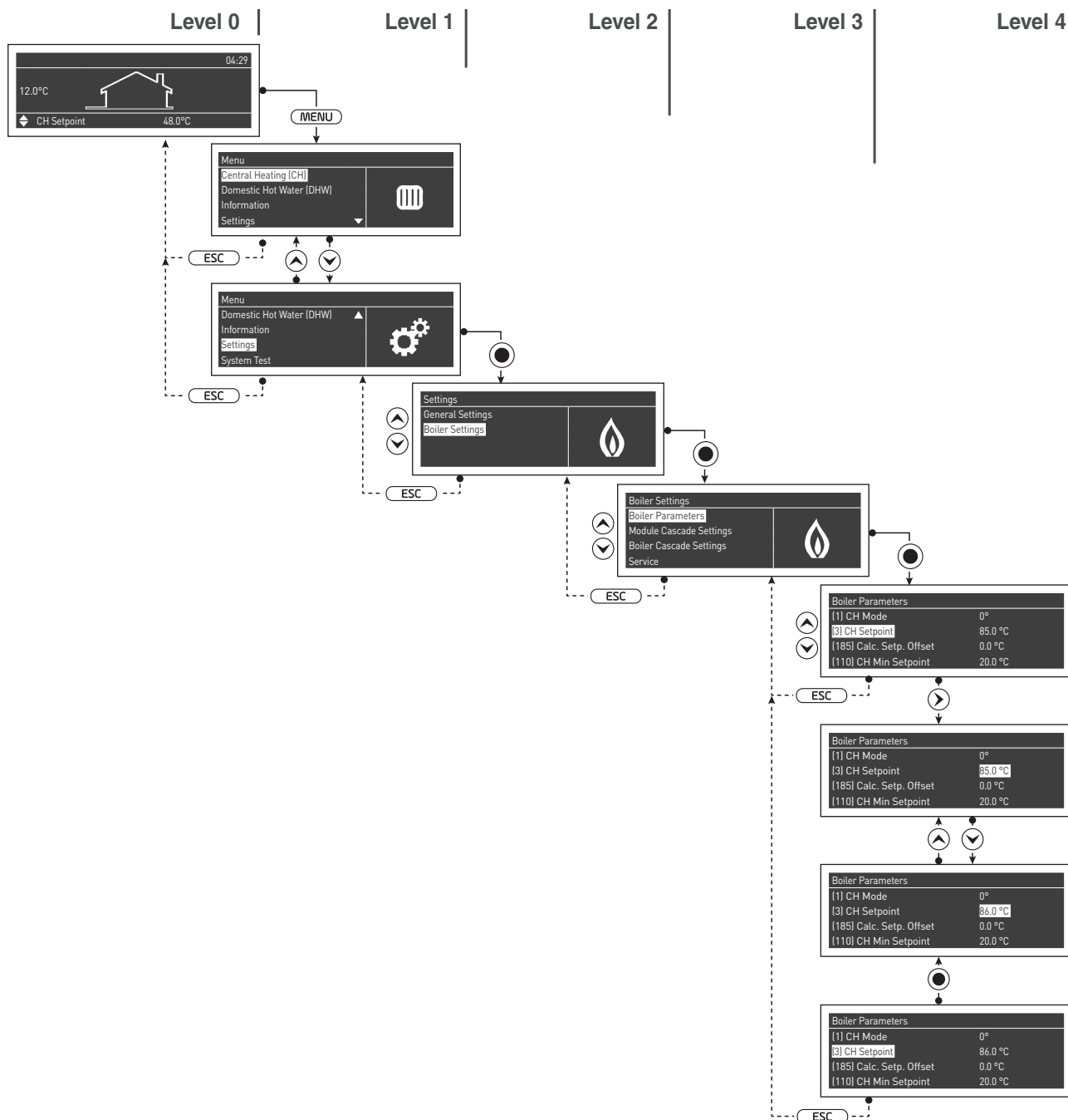
The electronic control operator interface menu is a multi-level one. Navigation between the various levels is shown in the figures below.

Level 0 displays the Home Screen (Home). Level 1 displays the Main Menu screen. The subsequent levels are activated depending on available sub-menus. For the full layout, see Paragraph "Control panel". For how to access and change the parameters, see the picture on the next page. The parameters for the installer are accessible only after entering the security password (see paragraph "Control panel").

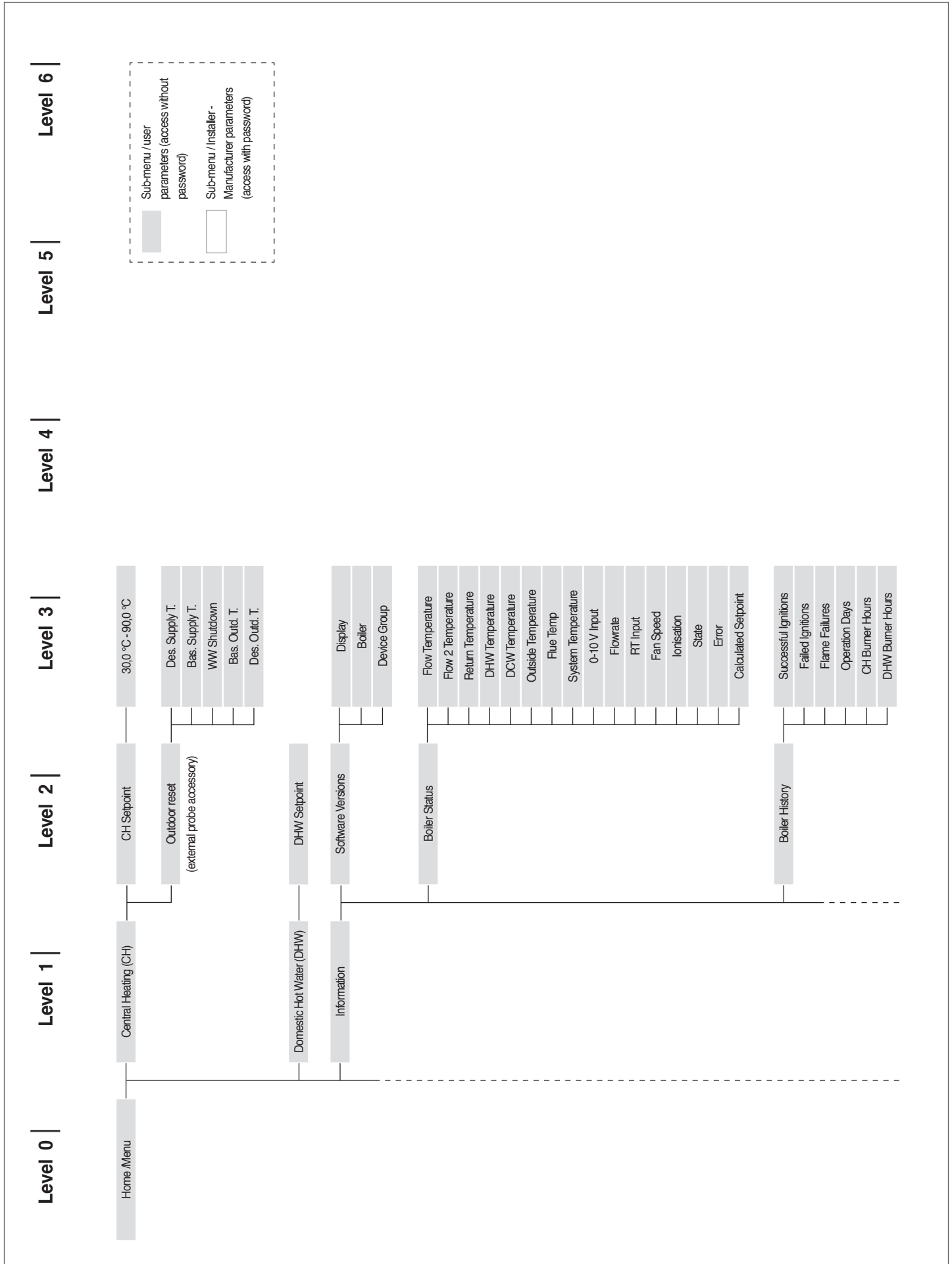
Keep in mind that the operating parameters of the module are identified with a number, while other additional functions are only descriptive.

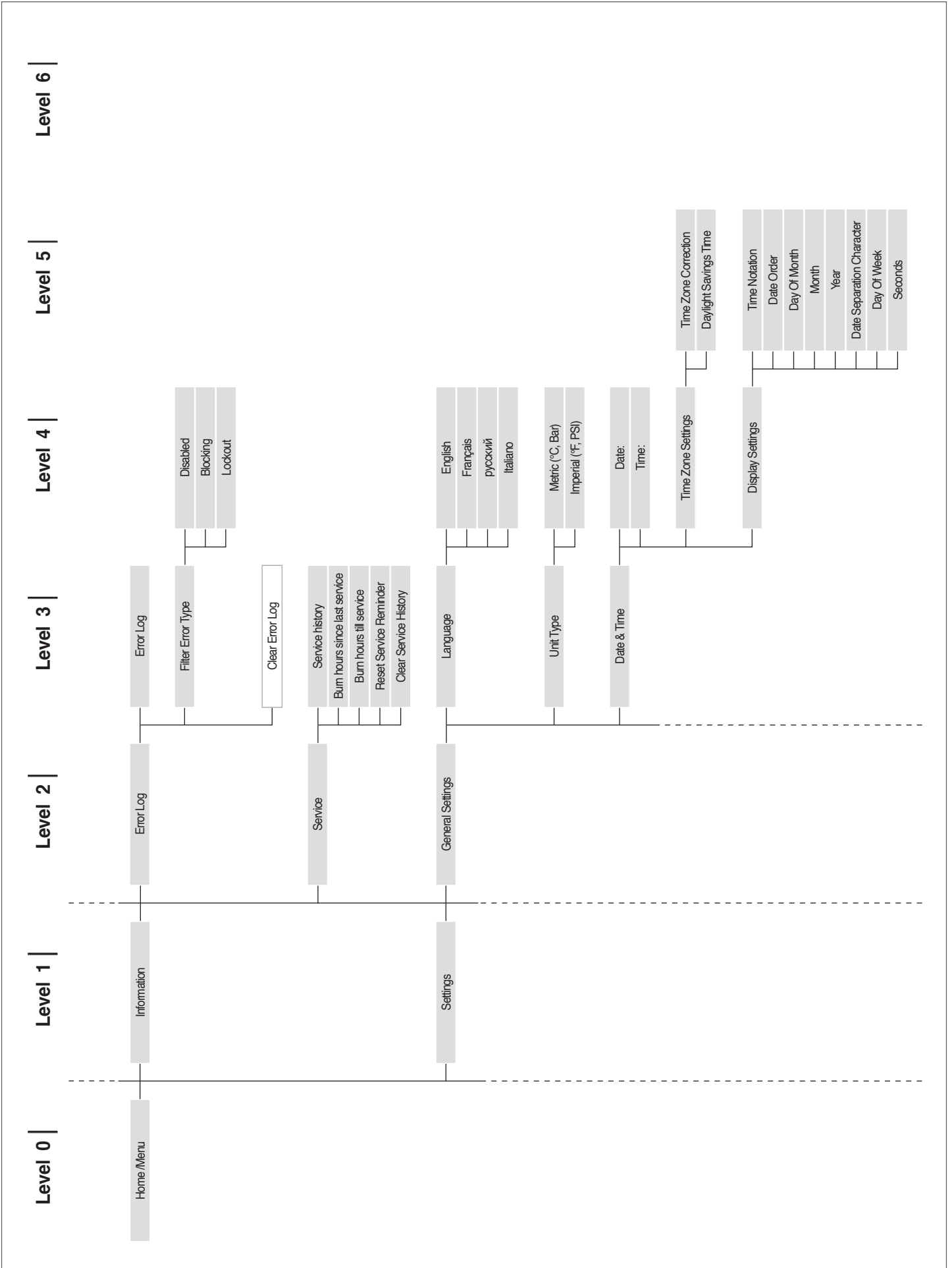


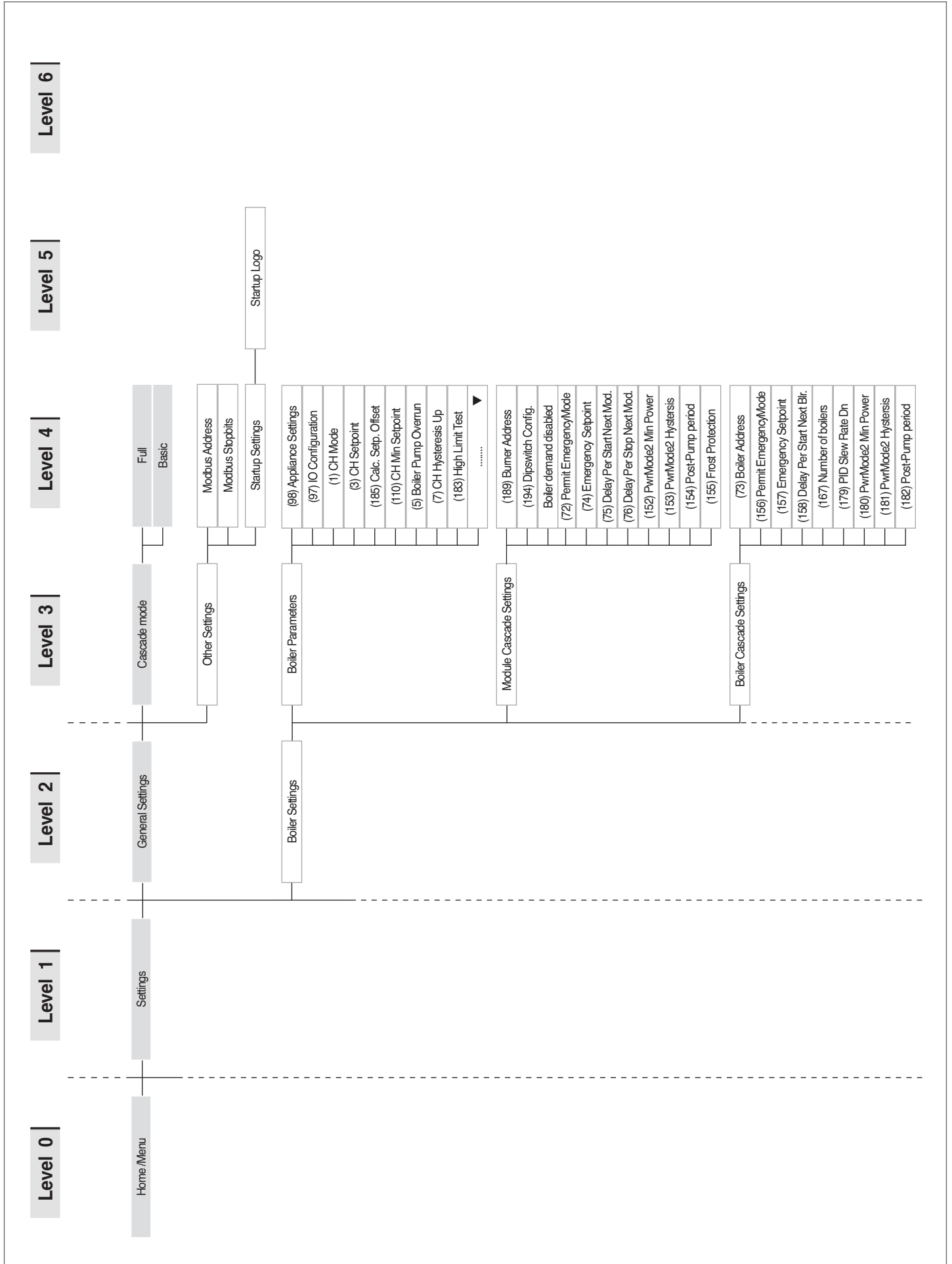
- 1 switches on the main menu
- 2 in menu navigation, it enables you to exit a menu item and go back to the previous one
- 3 supports selecting menus or parameters or decreasing numeric values
- 4 enter
- 5 supports selecting menus or parameters or increasing numeric values
- 6 supports moving to the RH/LH area of the display

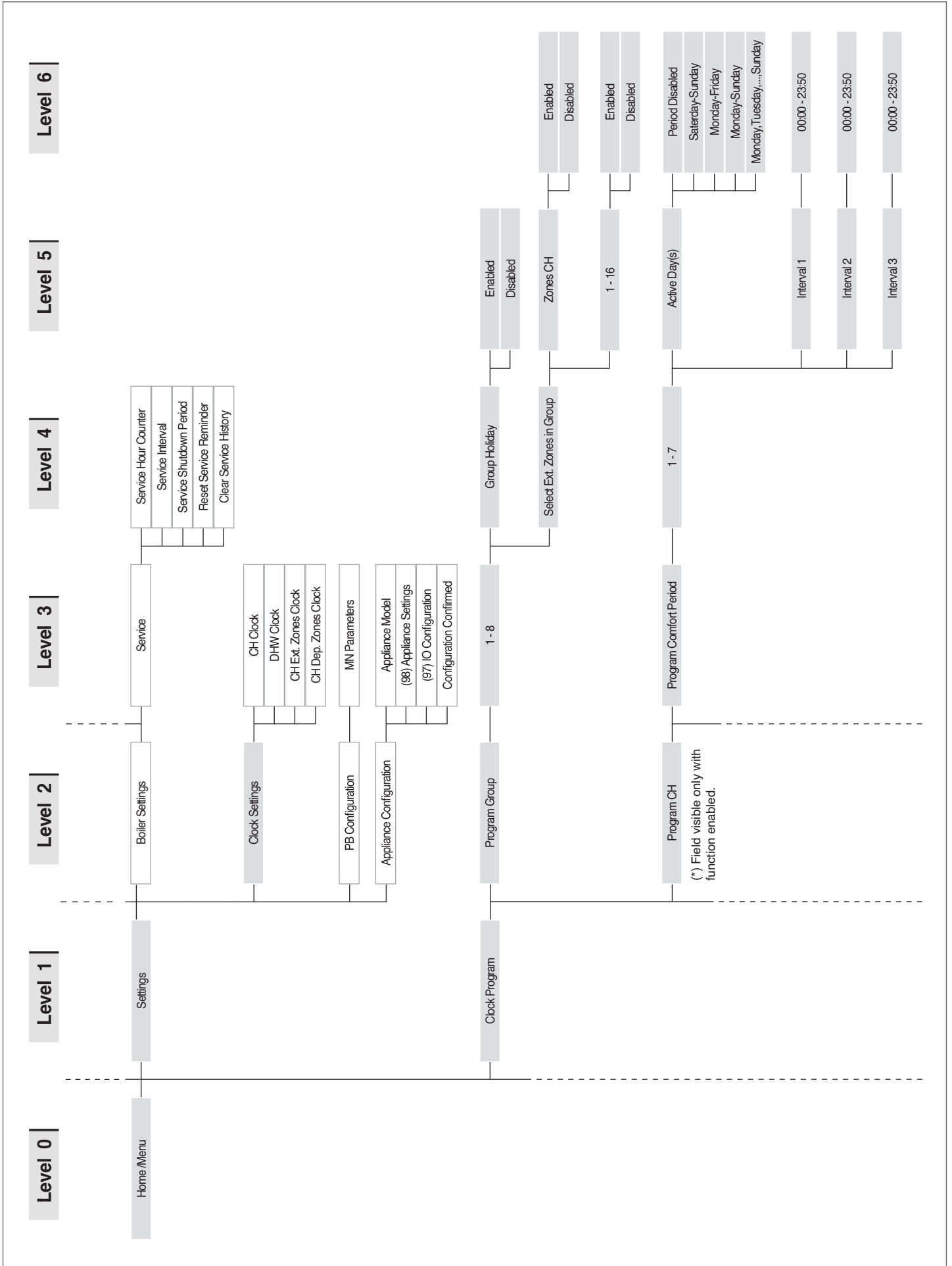


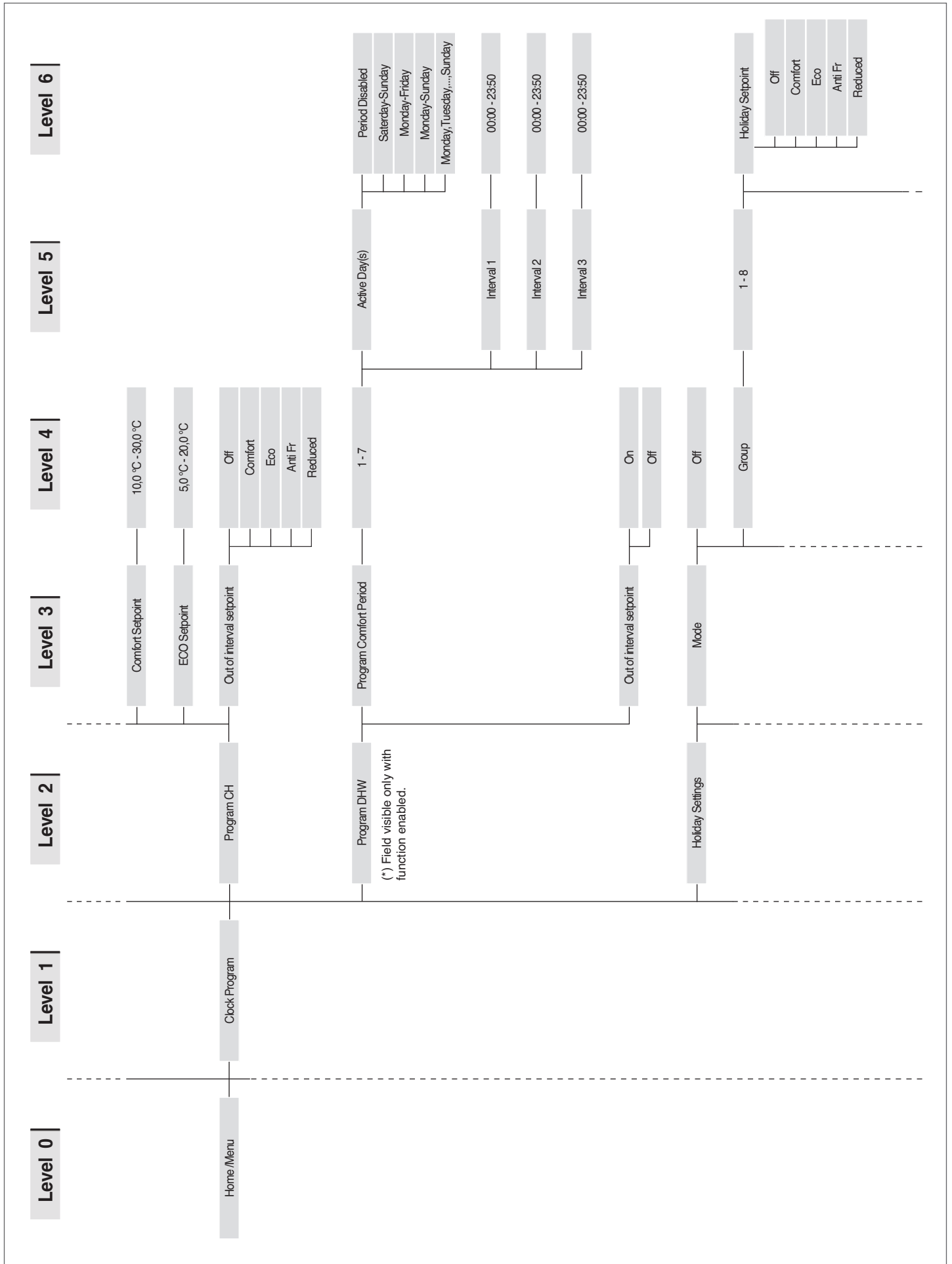
2.15.1 Menu structure

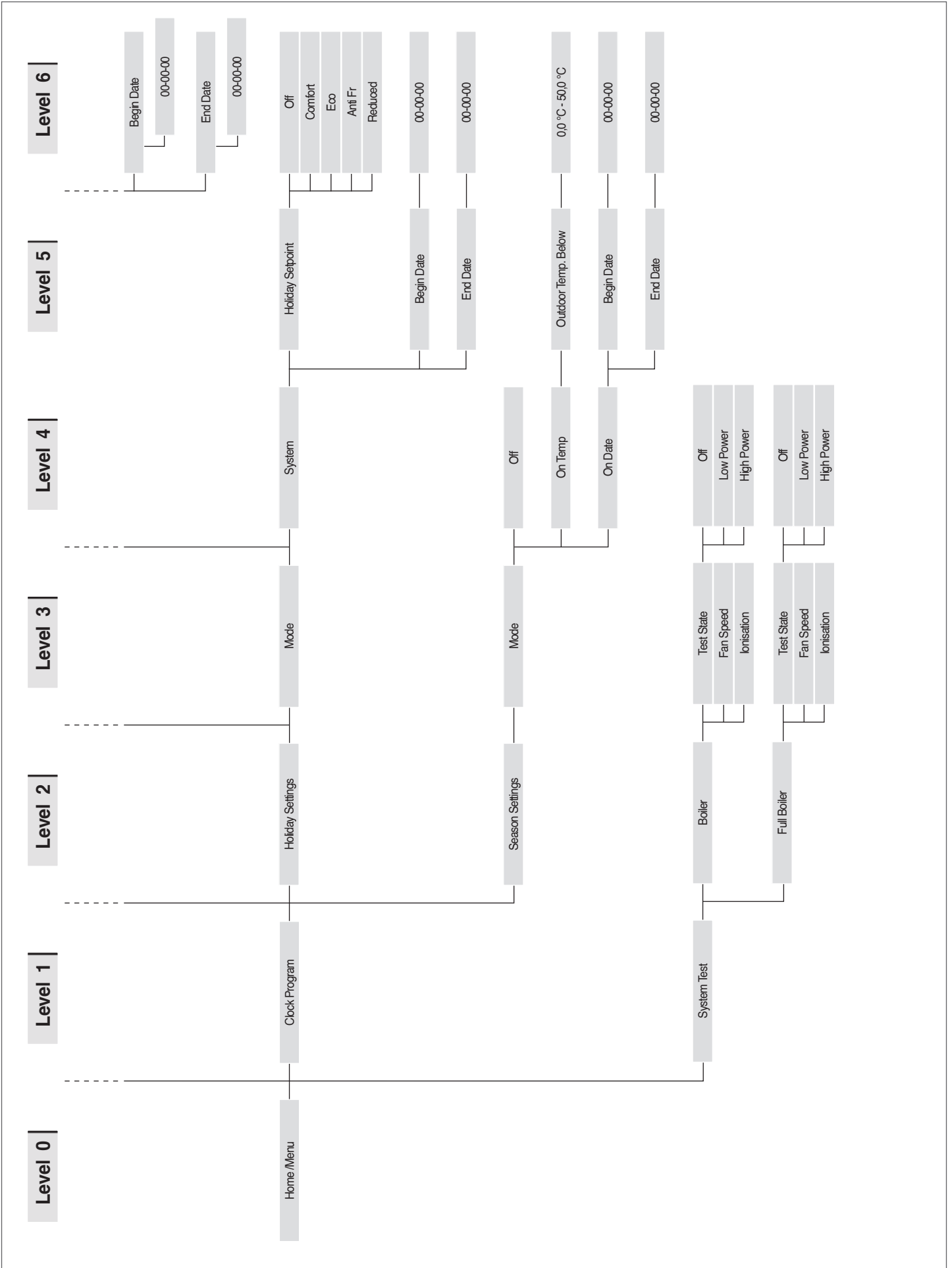












2.15.2 Parameters' list

Parameters are listed base on the menu.

Reference Menu

M1	Parameters Menu
M2	Cascaded module configuration menu
M3	Cascaded boiler configuration menu
M4	Appliance configuration menu

Access type

U	End user
I	Installer
0	Manufacturer

Menu	Par. No.	Display visualisation	Description	Range	Default setting	UM	Access type	Category
M1	201	CH Control	Enable or disable the heating circuit.	Enabled/Disabled	Enabled		I	Heating
M1	1	CH mode	Defines the thermal module's various heating operation modes.	0...5	0		I	Heating
M1	3	CH set-point	Defines the desired delivery temperature in heating mode (Par. 1) = 0.	30...90	70	°C	U	Heating
M1	185	Calc. set-point off-set	It is possible to shift the climatic curve up and down. The calculated setpoint can be increased or decreased with a maximum of 10°C.	-10...10	0	°C	I	Heating
M1	109	Comp. T. @Bas. Outd.	Establishes the set-point offset value calculated in climatic mode (Par. 1= 1). Offsets the climatic curve in presence of mild outdoor temperatures.	Off, -10...10	0		I	Heating
M1	110	CH Min. Set-point	Defines the minimum delivery temperature at which the system operates in both heating and DHW mode.	20...50	30	°C	I	Heating
M1	111	CH Max. Set-point	Defines the maximum delivery temperature at which the system operates in both heating and DHW mode.	50...90	80	°C	I	Heating
M1	190	Outd. Comp. Fact.		0...100	0	%	I	Heating
M1	5	Boiler Pump Overrun	Sets the overrun time in seconds of the boiler's circulator during stand-alone operation; cascaded operation determines the module's overrun after switch-off due to temperature control.	0...900	60	Sec.	I	Heating
M1	6	Flue Temp. Limit	Sets the activation temperature when the maximum flue gas temperature is exceeded. When the flue gas temperature is higher than a set value, the module switches off and an error message is generated. When the flue gas temperature is in the interval between (Par. 6) -5°C and Par. 6, the module reduces its power in a linear way until it reaches minimum power when the temperature measured is equal to Par. 6.	10...120	100	°C	0	General
M1	7	CH Hysteresis Up	Sets the value in degrees beyond the set-point at which the burner switches off for thermoregulation.	0...20	5	°C	I	Heating
M1	112	CH Hysteresis Down	Sets the value in degrees below the set-point at which the burner switches on again for thermoregulation.	0...20	5	°C	I	Heating
M1	9	An-ti-cycle Period	Sets the stand-by time before the appliance is switched on again after it switches off due to thermoregulation, independently from the delivery temperature dropping below the value indicated in Par. 10. Parameter valid only in stand-alone mode.	10...900	120	Sec.	I	Heating
M1	10	An-ti-cycle Temp. Diff.	Sets the value in degrees below which the burner switches on again notwithstanding from the time spent at Par. 9.	0...20	16	°C	I	Heating

Menu	Par. No.	Display visualisation	Description	Range	Default setting	UM	Access type	Category
M1	12	Hx diff. Minimum	Sets the value of the temperature difference (Delta T) between the module's delivery and return temperature. For a Delta T value ranging between Par. 12 and (Par. 12) +8°C, the module reduces its power in a linear fashion until it reaches the minimum power. The minimum power is maintained until reaching (Par. 12) +8°C+5°C, after which the module switches off for a period of time equal to the value attributed to Par. 13; at the end of this time interval, the module switches on again.	10...60	40	°C	0	General
M1	13	Hx Diff. Max. Wait Time	Defines the restart time after reaching the Delta T limit between delivery and return.	10...250	30	Sec.	0	General
M1	14	Max. Power CH	Sets the heating's % max. power.	50...100	100	%	I	Heating
M1	15	Min. Power CH	Sets the heating's % min. power.	1...30	1	%	I	Heating
M1	16	CH PID P	Defines the proportional parameter for modulation during heating operation.	0...1275	100		0	Heating
M1	17	CH PID I	Defines the modulation integral term during heating operation.	0...1275	250		0	Heating
M1	18	CH PID D	Defines the modulation derivative term during heating operation.	0...1275	0		0	Heating
M1	19	Design Supply Temp.	Defines the max. set-point at the minimum outdoor temperature for climatic regulation.	30...90	80	°C	U	Heating
M1	20	Design Outdoor Temp.	Defines the minimum outdoor temperature to which the maximum set-point can be associated for climatic regulation.	-25...25	0	°C	U	Heating
M1	21	Baseline Supply Temp.	Defines the minimum set-point at the maximum outdoor temperature for climatic regulation.	30...90	40	°C	I	Heating
M1	22	Baseline Outdoor Temp.	Defines the maximum minimum outdoor temperature to which the minimum set-point can be associated for climatic regulation.	0...30	20	°C	I	Heating
M1	23	Design Supply Min. Limit	Limits the minimum value that can be assigned to the set-point in heating mode (does not apply to heating mode 4).	4...82	30	°C	I	Heating
M1	24	Design Supply Max. Limit	Limits the maximum value that can be assigned to the set-point in heating mode (does not apply to heating mode 4).	27...90	80	°C	I	Heating
M1	25	Warm Weather Shutdn	Defines the temperature at which climatic regulation is switched off.	0...35	22	°C	I	Heating
M1	26	Boost Temp Increment	Establishes the set-point temperature increase delta T, if the heat demand in heating mode is not satisfied after the time interval specified in Par. 27 (applies only to stand-alone mode).	0...30	0	°C	I	Heating
M1	27	Boost Time Delay	Defines the time interval after which the set-point is increased as defined in Par. 26 (applies only to stand-alone mode).	1...120	20	Min.	I	Heating
M1	28	Night Setback Temp.	Used in heating mode Par. 1= 2 or 3. Establishes by how many degrees the delivery set-point is reduced when the RT (room thermostat/heat demand) contact is closed.	0...30	10	°C	I	Heating
M1	195	WWSD Enable	It is possible to enable/disable the shutdown of the entire system due to high external temperatures, both CH and ZH.	Enabled/Disabled	Enabled		I	Heating
	202	DHW check	Enable or disable the DHW circuit.	Enabled/Disabled	Enabled		I	Heating

Menu	Par. No.	Display visualisation	Description	Range	Default setting	UM	Access type	Category
M1	35	DHW mode	Establishes the domestic hot water circuit's operation mode. 0 = Disabled 1 = Tank + sensor 2 = Tank + thermostat	0,1,2	0		I	DHW
M1	113	Max. Power DHW	Defines the domestic hot water circuit's % max. power.	50...100	100	%	I	DHW
M1	114	Min. Power DHW	Defines the domestic hot water circuit's % minimum power.	1...30	1	%	I	DHW
M1	36	DHW Tank Hyst. Down	Defines the hysteresis to initiate the domestic hot water demand.	0...20	5	°C	I	DHW
M1	37	DHW Tank Hyst. Up	Defines the hysteresis to stop the domestic hot water demand.	0...20	5	°C	I	DHW
M1	38	DHW Tank Supply Extra	Defines the primary circuit's set-point increase in degrees compared to the temperature set for the domestic hot water tank.	0...30	15	°C	I	DHW
M1	39	DHW Tank Supp Hyst Dn	Defines the primary circuit's restart hysteresis in modes 1 and 2 of domestic hot water (valid both for cascade and stand-alone applications).	0...20	5	°C	0	DHW
M1	40	DHW Tank Supp Hyst Up	Defines the primary circuit's shut-off hysteresis in modes 1 and 2 of domestic hot water (valid both for cascade and stand-alone applications).	0...20	5	°C	0	DHW
M1	41	DHW Tank Hold Warm	Defines the value referred to the Delta T of the tank for maintenance purposes. E.g.: if it is set on 3, when the tank has a set point lowered of 3 degrees, the module turns on at the minimum to allow maintenance till the set point plus hysteresis. If this parameter is equal to 36, this function is inactivated and the module starts at the maximum sanitary power.	0...10	5	°C	0	DHW
M1	42	DHW Priority	Defines the priority type: 0 = Time: time priority between the two circuits defined by Par. 43; 1 = Off: priority for CH; 2 = On: priority for DHW; 3 = Parallel: parallel priority managed on the basis of the primary circuit's temperature compared to the heating circuit's set-point.	0...3	2 = On		I	DHW
M1	43	DHW Max. Priority Time	Establishes the time in minutes during which priority is alternatively allocated to the DHW and CH circuits when Par. 43 is set to "time" mode.	1...255	30	Min.	I	DHW
M1	44	DHW Pump Overrun	Establishes the overrun time in seconds for the domestic hot water mode with the boiler in stand-alone operation; cascaded operation defines the module's overrun after switch-off due to thermoregulation.	0...900	60	Sec.	I	DHW
M1	45	DHW Tank PID P	Defines the proportional term for modulation during operation of the DHW storage tank.	0...1255	100		0	DHW
M1	46	DHW Tank PID I	Defines the integral term for modulation during operation of the DHW storage tank.	0...1255	500		0	DHW
M1	47	DHW Tank PID D	Defines the derivative term for modulation during operation of the DHW storage tank.	0...1255	0		0	DHW
M1	48	DHW tank set-point	Establishes the DHW storage tank set-point.	40...71	50	°C	U	DHW
M1	115	DHW setpoint setting	"reserved"	40...71	57	°C	U	DHW
M1	49	DHW Hysteresis Down	"reserved"	0...20	4	°C	0	DHW
M1	50	DHW Hysteresis Up	"reserved"	0...20	4	°C	0	DHW

Menu	Par. No.	Display visualisation	Description	Range	Default setting	UM	Access type	Category
M1	51	DHW Instant PID P	"reserved"	0...1255	100	°C	0	DHW
M1	52	DHW Instant PID I	"reserved"	0...1255	160	°C	0	DHW
M1	53	DHW Instant PID D	"reserved"	0...1255	0	°C	0	DHW
M1	60	Flow Rate Start	"reserved"	0.1...20	1.4	l/min	0	DHW
M1	61	Flow Rate Lo Temp Pwr	"reserved"	0.1...20	1.4	l/min	0	DHW
M1	62	Flow Rate Hi Temp Pwr	"reserved"	0.1...20	1.4	l/min	0	DHW
M1	63	DHW On Off Period	"reserved"	10...60	30	Sec.	0	DHW
M1	64	PreHeat Mode	"reserved"	Off, Comfort, Eco, Anti-Fr	Off		U	DHW
M1	65	PreHeat Eco Set-point	"reserved"	20...60	30	°C	0	DHW
M1	67	PreHeat After Tap Hld T.	"reserved"	0...255	30	Sec.	0	DHW
M1	68	After Tap Hold Time	"reserved"	0...255	120	Sec.	0	DHW
M1	69	PreHeat Hyst. Down	"reserved"	0...30	5	°C	0	DHW
M1	70	PreHeat Hyst. Up	"reserved"	0...30	0	°C	0	DHW
M1	71	PreHeat Delay Time	"reserved"	0...15	10	Sec.	0	DHW
M1	92	Fan Speed Maximum	Defines the number of fan rpm at max. power (it depends on the model).	0...12750	Defined by Par. 98	RPM	I	General
M1	93	Fan Speed Minimum	Defines the number of fan rpm at minimum power (it depends on the model).	0...12750	Defined by Par. 98	RPM	I	General
M1	94	Fan Speed Ignition	Defines the number of fan rpm when the boiler is switched on (it depends on the model).	0...12750	Defined by Par. 98	RPM	I	General
M1	116	Prog. Input 1.	0 = Disabled 1 = Water pressure sensor 2 = CH flow switch 3 = Flue pressure switch	0,1,2,3	Defined by Par. 97		I	General
M1	117	Prog Input 2.	0 = Disabled 1 = DHW flow sensor 2 = DHW flow switch 3 = CH flow sensor	0,1,2,3	Defined by Par. 97		I	General
M1	118	Prog Input 3.	0 = Disabled 1 = Drain switch 2 = Gas pressure switch	0,1,2	Defined by Par. 97		I	General
M1	119	Progr.ble Inp. 4.	0 = Supply 2 sensor 1 = Disabled 2 = Air Damper Switch	0,1,2	Defined by Par. 97		I	General
M1	120	Prog Input 5.	0 = Disabled 1 = T_Return sensor 2 = Extern switch	0,1,2	Defined by Par. 97		I	General

Menu	Par. No.	Display visualisation	Description	Range	Default setting	UM	Access type	Category
M1	121	Prog Input 6.	0 = Disabled 1 = T_Flue sensor 2 = Flue switch 3 = APS switch	0,1,2,3	Defined by Par. 97		I	General
M1	122	Prog Input 7.	0 = Disabled 1 = T_Flue_2 sensor 2 = T_Flue_2 + Bl. Flue 3 T_System sensor 4 = Blocked Flue switch 5 Cascade Sensor	0,1,2,3,4,5	Defined by Par. 97		I	General
M1	123	Prog Input 8.	0 = Disabled 1 = T_DCW sensor 2 = Water pressure switch	0,1,2	Defined by Par. 97		I	General
M1	188	Prog. Input 9.	0 = Disabled 1 = DHW sensor 2 = Zone sensor	0,1,2	Defined by Par. 97		I	General
M1	124	Prog. Input RT.	0 = Disabled 1 = Enabled	0,1	1		I	General
M1	125	Prog. Output 1.	0 = Disabled 1 = General Pump 2 = CH Pump 3 = DHW Pump 4 = System Pump 5 = Cascade Pump 6 = Alarm Relay 7 = Filling Valve 8 = LPG Tank 9 = External Igniter 10 = Air Damper 14 = Alarm Burner CC 15 = Status Burner CC 16 = Zone pump 17 = Mixing valve open 18 = Mixing valve closed 19 = Anti-Legionella 20 = LPG Tank Cascade	0,1,2,3,4,5,6,7,8,9,10,14,15,16,17,18,19,20	Defined by Par. 97		I	General
M1	126	Prog. Output 2.	0 = Disabled 1 = General Pump 2 = CH Pump 3 = DHW Pump 4 = System Pump 5 = Cascade Pump 6 = Alarm Relay 7 = Filling Valve 8 = LPG Tank 9 = External Igniter 10 = Air Damper 14 = Alarm Burner CC 15 = Status Burner CC 16 = Zone pump 17 = Mixing valve open 18 = Mixing valve closed 19 = Anti-Legionella 20 = LPG Tank Cascade	0,1,2,3,4,5,6,7,8,9,10,14,15,16,17,18,19,20	Defined by Par. 97		I	General
M1	127	Prog. Output 3.	0 = Disabled 6 = Alarm relay 10 = Air Damper 11 = External Igniter	0,1,2,3,4,5,6,7,8,9,10,11,12	Defined by Par. 97		I	General

Menu	Par. No.	Display visualisation	Description	Range	Default setting	UM	Access type	Category
M1	128	Prog. Output 4.	0 = Disabled 1 = General Pump 2 = CH Pump 3 = DHW Pump 4 = System Pump 5 = Cascade Pump 6 = Alarm Relay 7 = Filling Valve 8 = LPG Tank 9 = External Igniter 10 = Air Damper 14 = Alarm Burner CC 15 = Status Burner CC 16 = Zone pump 17 = Mixing valve open 18 = Mixing valve closed 19 = Anti-Legionella 20 = LPG Tank Cascade	0,1,2,3,4,5,6,7,8,9,10,14,15,16,17,18,19,20	Defined by Par. 97		I	General
M1	187	Prog. Output 5.	0 = Disabled 1 = General Pump 2 = CH Pump 3 = DHW Pump 4 = System Pump 5 = Cascade Pump 6 = Alarm Relay 7 = Filling Valve 8 = LPG Tank 9 = External Igniter 10 = Air Damper 14 = Alarm Burner CC 15 = Status Burner CC 16 = Zone pump 17 = Mixing valve open 18 = Mixing valve closed 19 = Anti-Legionella 20 = LPG Tank Cascade	0,1,2,3,4,5,6,7,8,9,10,14,15,16,17,18,19,20	Defined by Par. 97		I	General
M1	129	Flow sensor	Defines the type of flow sensor used.	Custom, Huba: DN8, DN10, DN15, DN20, DN25, DN32	Huba DN25		I	General
M1	130	Flow Scaling Factor	"reserved"	0...25.5	3.2	rpm/l	I	DHW
M1	131	Min. Pressure	"reserved"	Off, 0.3...5.0	0.1	bar	I	DHW
M1	132	Pressure Fill Hyst.	"reserved"	Off, 0.2...5.0	0.5	bar	I	DHW
M1	133	Mod. Pump dT	Defines the delta T set for the operation of the modulating circulator.	5...40	15	°C	I	General
M1	134	Mod. Pump Start Time	Defines the time in seconds from the moment the burner is switched on to start the modulation of the circulator and obtain the delta T specified in Par. 133.	0...255	120	Sec.	I	General
M1	135	Mod. Pump Type	Defines the PWM circulator model installed. 0 = Wilo 1 = Salmson 2 = Grundfos	0,1,2	2 = Grundfos		I	General
M1	136	Mod. Pump Mode	Defines whether the boiler's circulator operates in modulating mode or at a set speed (as a percentage of maximum speed).	On/Off Modulating Fixed 20... 100%	Modulating		I	General
M1	137	Mod. Pump Min Pwr	Defines the percentage of speed that sets the minimum speed that the circulator can reach during modulation.	0...100	30	%	I	General

Menu	Par. No.	Display visualisation	Description	Range	Default setting	UM	Access type	Category
M1	139	Dair active	Activates bleeding the system's air. To activate air bleeding, it is necessary to switch on the boiler and change the parameter from "No" to "Yes". Wait for one minute. Switch off and restart. At this stage, when it is restarted the boiler will initiate the automatic bleeding procedure (lasting around 20 minutes). With the parameter set to "Yes", the procedure is carried out each time the boiler is switched off and restarted using its master switch. The value must be set to "No" if you do not wish to initiate the bleeding procedure when the module is switched on.	Yes, No	No		I	General
M1	140	Minimum Flow	Defines the flow rate below which the boiler is switched off. The value varies depending on the model.	0.0...100	Depends on boiler model	l/min	I	General
M1	196	HX flow timeout	If the minimum flow rate is not reached within the timeout, error 163 (LOWEXFLOW_PROTECTION) will be generated which will also cause the end of prepurge.	4...100	18	Sec.	I	General
M1	107	Anti-Le-gionella day	Sets the weekday on which the anti-Le-gionella procedure is carried out.	Sun...Sat.	Sun	Day	I	DHW
M1	108	Anti-Le-gionella Hour	Sets the time of the day during which the anti-Le-gionella procedure is carried out.	0...23	0	Hour	I	DHW
M1	183	High Limit Test	Enable limit thermostat physical test.	Simulated/Physical	Simulated		0	General
M1	205	Enabling of dependent zones	Enabling of dependent zones.	Enabled/Disabled	Disabled		U	General
M1	155	Frost Protection	This defines the temperature (detected by the primary sensor) below which the module pump and the system pump (with cascade configuration) activate. If the temperature of the primary sensor falls another 5 degrees below the value set by Par. 155, then a request to activate the cascade is generated. When the temperature of the primary sensor reaches the value defined by Par. 155 increased by 5 degrees, then the request ceases and the cascade returns to stand-by mode.	10...30	15	°C	I	General
M1	186	Frost protection Outd	It defines the intervention temperature of the anti-freeze function related to the external probe.	-30...15	3	°C	I	General
M1	191	Fan Type	Defines the type of fan installed in the boiler.	0...17	Defined by Par. 97		I	General
M1	193	DHW for all	Enabling DHW for all.	No...Yes	No		I	DHW
M2	189	Burner Address	It is used to address the module.	Stand-alone (0) Managing (1) Dependent (2...16)	Managing (1)		I	DHW
M2	194	Dipswitch Config.	Enable or disable the dipswitch function.	Enabled/Disabled	Disabled		I	Cascade
M2		Boiler demand disabled	All requests for this boiler are disabled.	Yes/No	No		I	Cascade
M2	72	Permit Emergency Mode	Activates the emergency mode. This mode comes on when communication between Managing and the primary circuit's probe is lost. In this event, if Par. 72 is set to "Yes", the cascade is initiated, working to the fixed set-point determined by Par. 74.	Yes/No	Yes		U	Cascade
M2	74	Emergency Set-point	Set-point active in emergency mode.	20...90	70	°C	I	Cascade
M2	75	Delay Per Start Next Mod.	Defines the stand-by time in seconds to restart the subsequent cascade module in normal start mode.	5...255	120	Sec.	I	Cascade

Menu	Par. No.	Display visualisation	Description	Range	Default setting	UM	Access type	Category
M2	76	Delay Per Stop Next Mod.	Defines the stand-by time in seconds to switch off the last cascade module on in normal Off mode.	5...255	30	Sec.	I	Cascade
M2	142	Delay Quick Start Next	Defines the stand-by time in seconds to restart the next cascade module in quick start mode.	5...255	60	Sec.	I	Cascade
M2	143	Delay Quick Stop Next	Defines the stand-by time in seconds to switch off the last cascade module on in Quick Stop mode.	5...255	15	Sec.	I	Cascade
M2	77	Hyst. Down Start Module	Defines by how many degrees the temperature measured by the primary circuit's probe must fall below the set-point in order for the subsequent module to be started after the time interval set by Par. 75.	0...40	5	°C	I	Cascade
M2	78	Hyst. Up Stop Module	Defines by how many degrees the temperature measured by the primary circuit's probe must go above the set-point in order for the subsequent module to be switched off after the time interval set by Par. 76.	0...40	4	°C	I	Cascade
M2	147	Number of Units	Defines the number of modules of which the cascade consists.	1...16	8		I	Cascade
M2	144	Hyst. Down Quick Start	Defines by how many degrees the temperature measured by the primary circuit's probe must go below the set-point in order for the subsequent module to be started after the time interval set by Par. 142 (quick-start mode).	0...40	20	°C	I	Cascade
M2	145	Hyst. Up Quick Stop	Defines by how many degrees the temperature measured by the primary circuit's probe must go above the set-point in order for the subsequent module to be switched off after the time interval set by Par. 143 (quick stop mode).	0...40	6	°C	I	Cascade
M2	146	Hyst. Up Stop All	Defines by how many degrees the temperature measured by the primary circuit's probe must go above the set-point in order for all "On" modules to be switched off at the same time.	0...40	8	°C	I	Cascade
M2	148	Power Mode	Defines the cascade operation mode. 0 = Disabled 1 = Min burners 2 = Max burners 3 = Balanced burners	0,1,2,3	2		I	Cascade
M2	79	Max. Setp. Offset Down	Defines the maximum decrease in the primary circuit's cascade set-point. Is based on the primary circuit's probe reading.	0...40	2	°C	I	Cascade
M2	80	Max. Setp. Offset Up	Defines the maximum increase in the primary circuit's cascade set-point. Is based on the primary circuit's probe reading.	0...40	5	°C	I	Cascade
M2	81	Start Mod. Delay Fact.	Defines the time in minutes from the moment the demand is triggered until the activation of the set-point increases or decreases provided for by Par. 79 e 80.	0...60	60	Min.	I	Cascade
M2	82	Next Module Start Rate	It defines the minimum power for at least one of the modules in the cascade in order for the next module to be switched on (if the other conditions linked to Par. 75 and 77 are met).	10...100	80	%	I	Cascade
M2	83	Next Module Stop Rate	It defines the maximum power for all the modules in the cascade in order for the last module on to be switched off (if the other conditions linked to Par. 76 and 78 are met).	10...100	25	%	I	Cascade
M2	84	Module Rotation Interval	It defines the time interval (in days) after which modules are rotated.	0...30	1	Days	I	Cascade
M2	149	First Module to Start	Establishes the number of the next module to be rotated (this value is automatically updated at each rotation).	1..16	1		I	Cascade
M2	86	PID P	Defines the proportional term to change the setpoint of the cascade module.	0...1275	50		0	Cascade

Menu	Par. No.	Display visualisation	Description	Range	Default setting	UM	Access type	Category
M2	87	PID I	Defines the integral term to change the setpoint of the cascade module.	0...1275	500		0	Cascade
M2	150	PID Slew Rate Up	Defines the speed (in °C/100 ms) with which the setpoint of individual modules is increased in the event the primary circuit's set-point is not achieved (if the value is set to zero, the change is controlled by the PI of Par. 86 and 87 without restrictions).	0...25.5	1		0	Cascade
M2	151	PID Slew Rate Dn	Defines the speed (in °C/100 ms) with which the setpoint of individual modules is decreased in the event the primary circuit's set-point is exceeded (if the value is set to zero, the change is controlled by the PI of Par. 86 and 87 without restrictions).	0...25.5	1		0	Cascade
M2	152	Pwr-Mode2 Min Power	Defines the power value (in percentage terms) against which the average power of all on modules in cascade operation mode must be compared (Par. 148 = 2).	0...100	20	%	I	Cascade
M2	153	Pwr-Mode2 Hysteresis	Defines the extra power value (in percentage terms) compared to the average power of all on modules in cascade operation mode (Par. 148 = 2).	0...100	40	%	I	Cascade
M2	154	Post-Pump Period	Defines overrun time in seconds at the end of the cascade heat demand.	0...255	60	Sec.	I	Cascade
M2	184	N. active burner in DHW	With this setting it is possible to set the number of burners that are used for cascade DHW.	0...16	16		I	Cascade
M3	73	Boiler Address	Defines the way in which the boiler is managed.	Managing, Stand-alone, Dependent	Stand-alone		I	Cascade
M3	156	Permit Emergency Mode	Enable/disable emergency mode.	Yes/No	Yes		U	Cascade
M3	157	Emergency Set-point	Defines the emergency mode setpoint.	20...90	70	°C	I	Cascade
M3	158	Delay Per Start Next Blr.	This defines the waiting time in seconds for the next cascade to start up in normal start mode.	0...1275	1275	Sec.	I	Cascade
M3	159	Delay Per Stop Next Blr.	This defines the waiting time in seconds for the last switched-on cascade to switch off in normal off mode.	0...1275	1275	Sec.	I	Cascade
M3	160	Delay Quick Start Next	This defines the waiting time in seconds for the next cascade to start up in quick start mode.	0...1275	400	Sec.	I	Cascade
M3	161	Delay Quick Stop Next	This defines the waiting time in seconds for the last switched-on cascade to switch off in quick off mode.	0...1275	240	Sec.	I	Cascade
M3	162	Hyst. Down Start Boiler	"reserved"	0...40	5	°C	I	Cascade
M3	163	Hyst. Up Stop Boiler	"reserved"	0...40	2	°C	I	Cascade
M3	164	Hyst. Down Quick Start	"reserved"	0...40	10	°C	I	Cascade
M3	165	Hyst. Up Quick Stop	"reserved"	0...40	4	°C	I	Cascade
M3	166	Hyst. Up Stop All	"reserved"	0...60	8	°C	I	Cascade
M3	167	Number of boilers	This defines the number of boilers connected (cascade of cascades).	1...16 (basic cascade) 1...8 (full cascade)	1		I	Cascade

Menu	Par. No.	Display visualisation	Description	Range	Default setting	UM	Access type	Category
M3	168	Power Mode	"reserved"	0 = Disabled 2 = Max burners 3 = Balanced burners	2		I	Cascade
M3	169	Max. Setp. Offset Down	Defines the maximum decrease in the primary circuit's cascade set-point. Is based on the secondary circuit's probe reading.	0...40	2	°C	I	Cascade
M3	170	Max. Setp. Offset Up	Defines the maximum increase in the primary circuit's cascade set-point. Is based on the secondary circuit's probe reading.	0...40	5	°C	I	Cascade
M3	171	Start Mod. Delay Fact.	Defines the time in minutes from the moment the request is triggered until the activation of the set-point increases or decreases provided for by Par.169 e 170.	0...60	40	Min.	I	Cascade
M3	172	Next Boiler Start Rate	"reserved"	10...100	80	%	I	Cascade
M3	173	Next Boiler Stop Rate	"reserved"	10...100	25	%	I	Cascade
M3	174	Module Rotation Interval	"reserved"	0...30	5	Days	I	Cascade
M3	175	First Boiler to Start	"reserved"	1...8	-		I	Cascade
M3	176	PID P	Defines the proportional term to change the set-point of the cascade module based on the secondary circuit's temperature.	0...1275	25		0	Cascade
M3	177	PID I	Defines the integral term to change the set-point of the cascade module based on the secondary circuit's temperature.	0...1275	1000		0	Cascade
M3	178	PID Slew Rate Up	Defines the speed (in °C/100 ms) with which the set-point of individual modules is increased in the event the secondary circuit's set-point not reached (if the value is set to zero, the change is controlled by the PI of Par. 176 and 177 without restrictions).	0...25.5	1		0	Cascade
M3	179	PID Slew Rate Dn	Defines the speed (in °C/100 ms) with which the set-point of individual modules is decreased in the event the primary circuit's set-point is exceeded (if the value is set to zero, the change is controlled by the PI of Par. 176 and 177 without restrictions).	0...25.5	1		0	Cascade
M3	180	Pwr-Mode2 Min Power	"reserved"	0...100	20	%	I	Cascade
M3	181	Pwr-Mode2 Hysteresis	"reserved"	0...100	40	%	I	Cascade
M3	182	Post-Pump period	"reserved"	0...255	30	Sec.	I	Cascade
M4		Appliance Model	Defines the boiler model.	1...4			0	General
M4	98	Appliance Settings	Supports uploading the values of Par. 92, 93 and 94 from a set of pre-defined rpm values that identifies the boiler type.	1...85			0	General
M4	97	IO Configuration	Supports uploading the values of Par. from 116 to 128 from a set of pre-defined rpm values that defines the configuration of the boiler's inputs and outputs.	1..53			0	General

NOTE:
Please see section "Replacing the display and control boards" for detailed information on how to use and configure parameters 97 and 98.

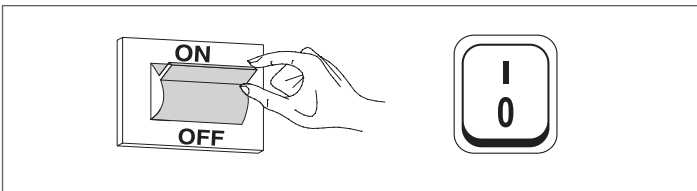
3 COMMISSIONING AND MAINTENANCE

3.1 Initial startup

The first commissioning of the **RIELLO Condexa PRO** module must be carried out by **RIELLO** Technical Assistance Service after which the appliance can operate automatically.

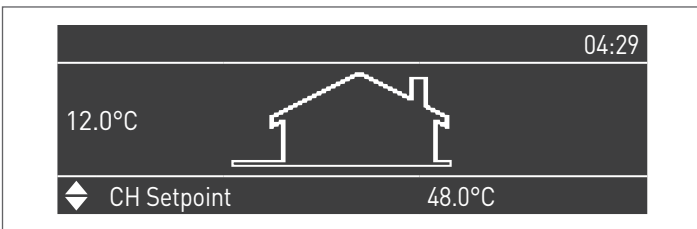
Perform the following checks before starting up the boiler:

- Check that the fuel shut-off cock and heating system shut-off cock are open
- Check that the central heating circuit pressure gauge shows a pressure over **1 bar** with the system cold. Check also that the circuit is properly de-aerated
- Check that the expansion vessel is correctly pre-charged
- the electric connections have been made correctly
- Check that the flue and air vents are made to applicable laws and standards
- Set the system's power switch to ON and the module's main switch to (I).



3.1.1 Switching the appliance on and off

After switching the appliance on, the display shall look as shown in the figure below:



External temperature is shown on the display on the left. This value is displayed only if the outdoor temperature sensor (accessory) is installed.

Main setpoint values are shown in the lower side of the display while the time is shown on the top right side.

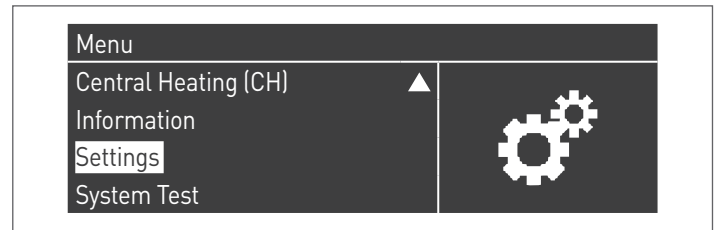
To turn the equipment off set the main switch "0/I" that is placed on the back side to "0".

⚠ Never power off the appliance before switching the master switch to the "0" position.

⚠ Never switch off the appliance with the master switch if a request is active. Always make sure that the appliance is in stand-by before switching the main switch.

3.1.2 Date and time setting

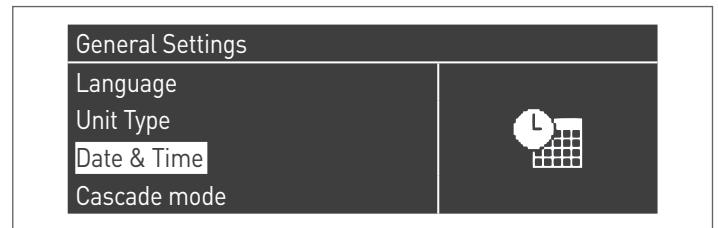
Press the MENU key and select "Settings" with the ▲ / ▼ keys



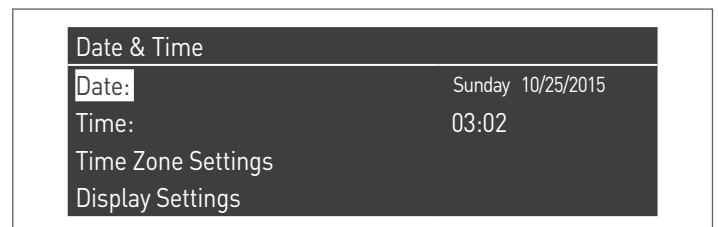
Confirm with the ● key and select "General settings" with the ▲ / ▼ keys



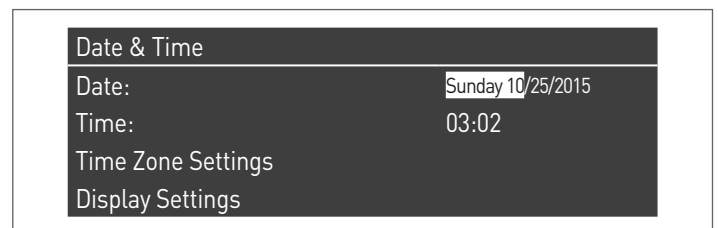
Confirm with the ● key and select "Date and Time" with the ▲ / ▼ keys



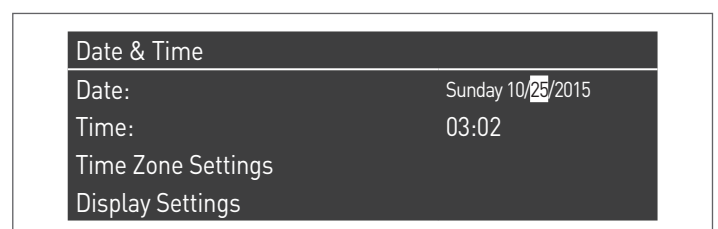
Press the ● key, the display will be shown as follows:



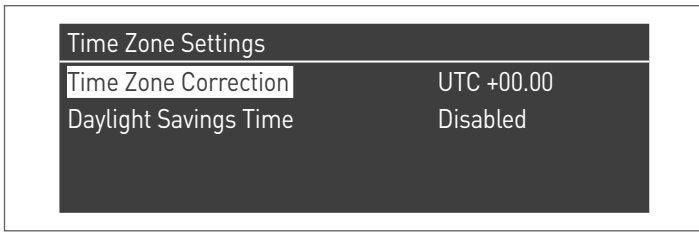
Press the ● key to highlight the values.



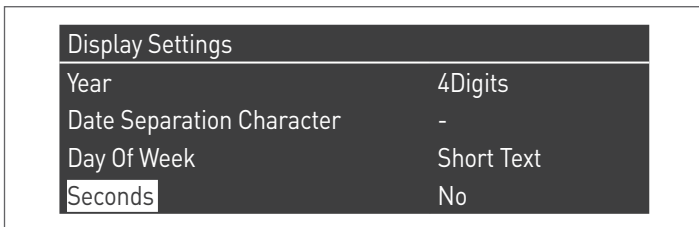
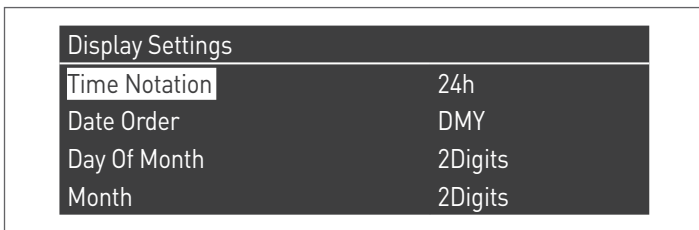
Values can be changed with the ▲ / ▼ keys. Confirm the value entered pressing the ● key and move to the next value.



To set the time, follow the same procedure. By accessing the "Time Zone Settings" menu, it is possible to set the time zone parameter as shown in the figure below:

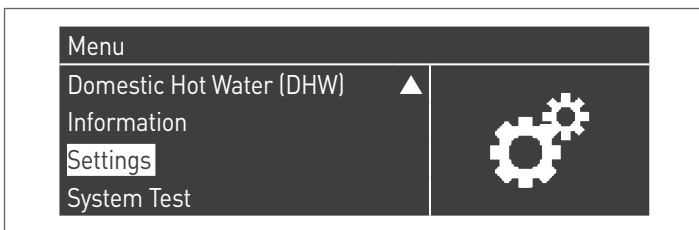


To change the way in which date and time are displayed, it is possible to change the following characteristics by accessing the "Display Settings" menu:



3.1.3 Password access

To access the parameters, press the MENU key and select "Settings" with the ▲ / ▼ keys.



Confirm with the ● key and select "Boiler settings" with the ▲ / ▼ keys



Press the ● key to confirm.

– You will now be asked for a password (the password is only required for module settings):



Enter one digit at a time using the ▲ / ▼ keys to increase/decrease the numeric value. When you have set the right value, confirm by pressing the ● key.

The system provides for three types of access:
 USER (password not required, e.g. password No. 0000)
 INSTALLER (password No. 0300)
 MANUFACTURER

⚠ After it is entered, the password is active during display and/or parametrisation. If the display is inactive for a few minutes, it needs to be re-entered.

3.1.4 Setting the heating parameters

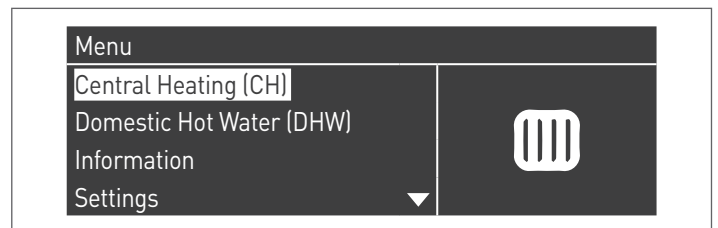
The 1 parameter defines the various operating modes of the heating module.

Mode 0
 (Operation with room thermostat/heat demand and fixed heating setpoint)

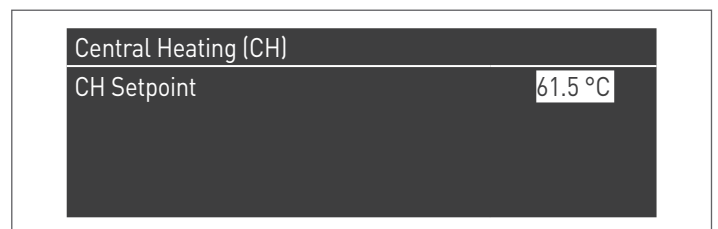
In this mode, the module works with a fixed setpoint (adjusted by the parameter 3) based on the closing of the room thermostat/heat request contact.

The set-point value can be entered directly, without entering in the parameter list, by accessing the "CH" menu in the following way:

Press MENU and select "Central heating" using the ▲ / ▼ keys. Press the ● key to confirm.



After the selection, use the ► key to highlight the value and use the ▲ / ▼ keys to change the selected value. Press the ● key to confirm/save the new settings.

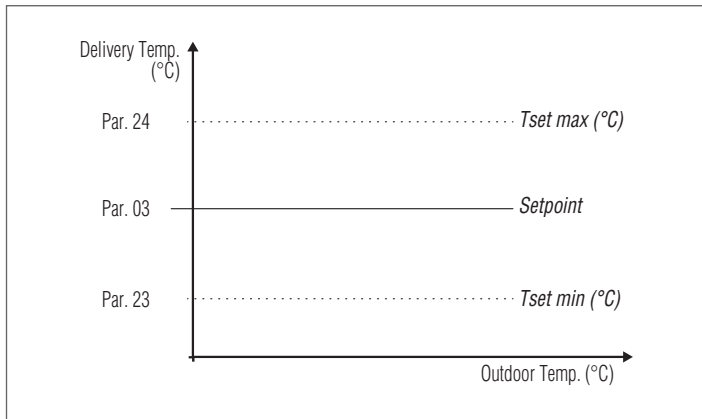


the set point can be set within a minimum and maximum value as indicated respectively on Par. 23 and 24 as shown in the figure.

The outdoor temperature sensor (accessory) is not required and if connected the outdoor temperature that is measured does not influence the setpoint that has been set.

The parameters regulating such temperature are:

Par. No.	Description
3	Sets the desired flow temperature with heating mode. Active for the heating mode Par. 1 = 0 or 3
23	Limits the minimum value that can be assigned to the set-point in heating mode (does not apply to heating mode 4).
24	Limits the maximum value that can be assigned to the set-point in heating mode (does not apply to heating mode 4).

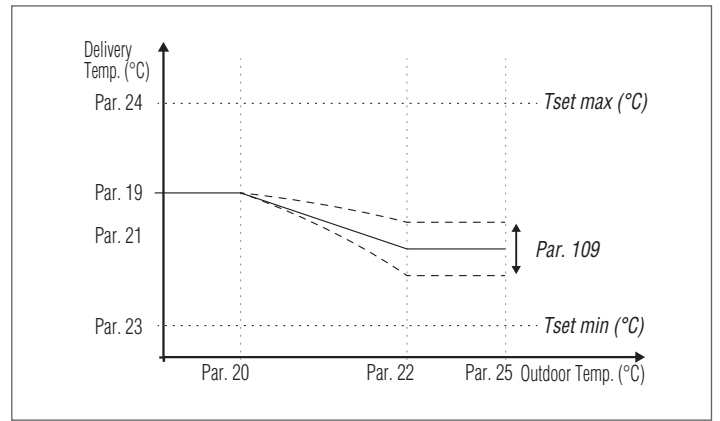


Mode 1

(Climatic functioning with room/heat demand thermostat, variable set point according to the outdoor temperature)

In this case, the module works with a variable setpoint depending on the outdoor temperature on the basis of a climatic curve defined by the following parameters:

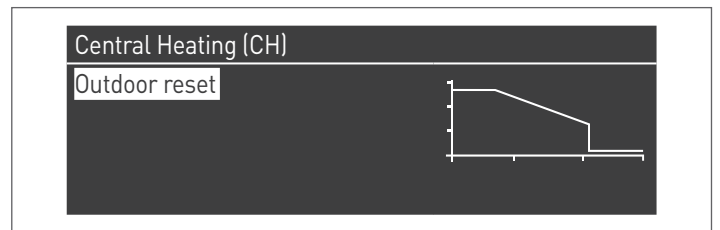
Par. No.	Description
109	Defines the value of the set point calculated on climatic mode (Par. 1 = 1).
19	Establishes the max. set-point at the minimum outdoor temperature for climatic regulation
20	Establishes the minimum outdoor temperature to which the maximum set-point can be associated for climatic regulation
21	Establishes the minimum set-point at the maximum outdoor temperature for climatic regulation
22	Establishes the maximum minimum outdoor temperature to which the minimum set-point can be associated for climatic regulation
23	Limits the minimum value that can be assigned to the set-point in heating mode (does not apply to heating mode 4).
24	Limits the maximum value that can be assigned to the set-point in heating mode (does not apply to heating mode 4).
25	Defines the temperature at which climatic regulation is switched off



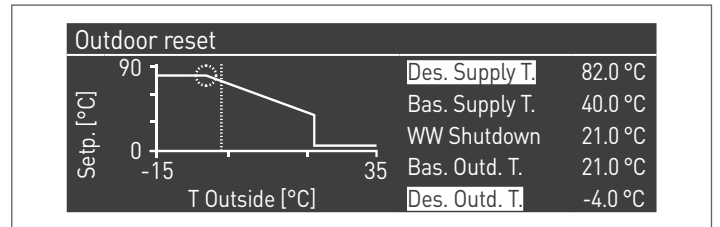
The demand is activated when the room/heat demand thermostat's contact is closed provided that outdoor temperature does not exceed the value set by the parameter 25.

if the outdoor temperature is higher than the one set on parameter 25, the burner is stopped even if there is a heat demand. The climatic curve can also be adjusted in a simpler, more user-friendly way.

Enter the "CH" menu. The following display will appear:



Press the ● key to confirm and enter the climatic curve screen.



"Design Supply Temp." and "Design Outdoor Temp." will be displayed. To change their value, press the ● key.

- 1 Use the ▲ / ▼ keys to modify Design Supply Temp and the ◀ / ▶ keys to change Design Outdoor Temp.
 - 2 Press ● to save changes
 - 3 Use the ◀ / ▶ keys to select other values.
- Repeat steps 1 from 3 to make other changes. After setting the parameters, press the ESC key to exit the menu.

! If the outdoor temperature sensor (accessory) is not detected (not installed or damaged) the system provides a warning: no. 202
The presence of the warning does not stop the module, allowing a heat request to be made at the maximum setpoint set in climatic mode.

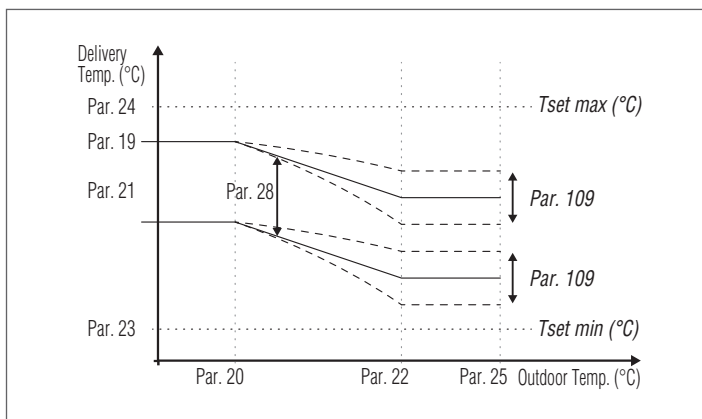
Mode 2

(Working on climatic mode with attenuation controlled by a room/heat demand thermostat, variable set point according to the outdoor temperature)

In this case, the module works with a setpoint defined by the climatic curve (which can be set in a similar way as described in mode 1) depending on the outdoor temperature. Heat demand is actioned independently from whether the room/heat demand thermostat's contact is closed and stops only when the outdoor temperature is greater than the one defined by the parameter 25.

In this mode the parameter 28 defines by how many degrees the set-point is decreased (attenuation) when the room/ heat demand thermostat's contact is opened.

Par. No.	Description
109	Defines the value of the set point calculated on climatic mode (Par. 1 = 1).
19	Establishes the max. set-point at the minimum outdoor temperature for climatic regulation
20	Establishes the minimum outdoor temperature to which the maximum set-point can be associated for climatic regulation
21	Establishes the minimum set-point at the maximum outdoor temperature for climatic regulation
22	Establishes the maximum minimum outdoor temperature to which the minimum set-point can be associated for climatic regulation
23	Limits the minimum value that can be assigned to the set-point in heating mode (does not apply to heating mode 4).
24	Limits the maximum value that can be assigned to the set-point in heating mode (does not apply to heating mode 4).
25	Defines the temperature at which climatic regulation is switched off
28	Use the heating mode Par. 1= 2 or 3. Defines how many degrees the flow set point is lowered.

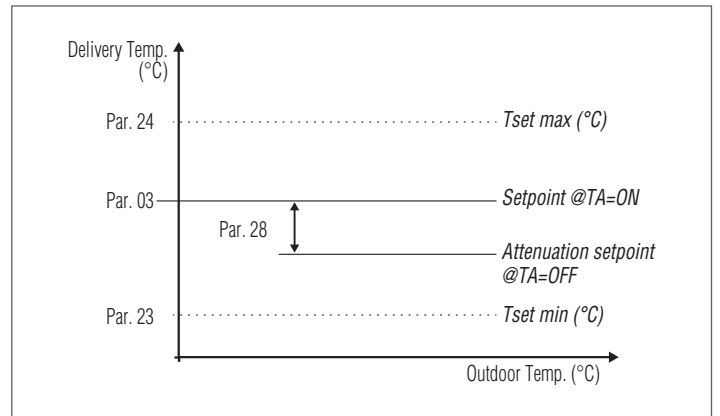


Mode 3

(Continuous fixed set-point operation with attenuation controlled by room/heat demand thermostat)

In this mode the fixed set-point is adjusted in the same way as described for Mode 0. The difference consists in the fact that the demand is always active and the set-point is decreased (attenuation) by the value defined by the parameter 28 when the room/heat demand thermostat's contact is opened.

Par. No.	Description
3	Sets the desired flow temperature with heating mode. Active for the heating mode Par. 1 = 0 o 3
23	Limits the minimum value that can be assigned to the set-point in heating mode (does not apply to heating mode 4).
24	Limits the maximum value that can be assigned to the set-point in heating mode (does not apply to heating mode 4).
28	Use the heating mode Par. 1= 2 or 3. Defines how many degrees the flow set point is lowered.



! The outdoor temperature sensor (accessory) is not required and if connected the outdoor temperature that is measured does not influence the setpoint that has been set.

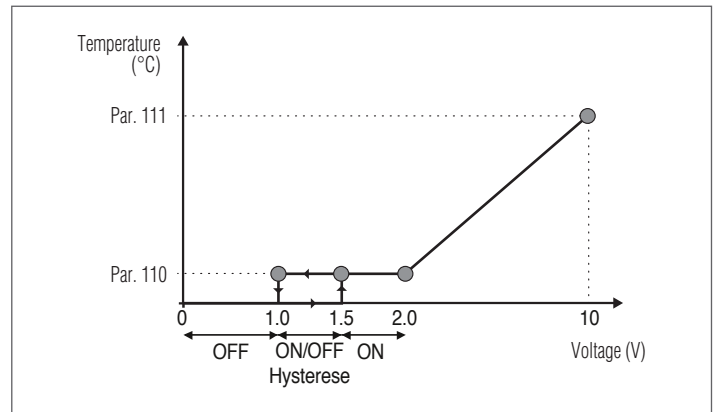
Mode 4

(Set-point adjustment based on a 0-10V analogical input)

The parameters that control this mode are the following:

Par. No.	Description
110	Sets the minimum delivery temperature value in heating mode (Par. 1) = 4.
111	Sets the maximum delivery temperature value in heating mode (Par. 1) = 4.

The operation set-point is adjusted on the basis of the following curve:



3.1.5 Setting the domestic hot water parameters

The 35 parameter defines the various operating modes of the domestic hot water production module

Mode 0
(No production of domestic hot water)

In this mode, the module will work exclusively for the heating circuit (see paragraph "Setting the heating parameters")

Mode 1
(DHW production with storage tank and storage cylinder probe)

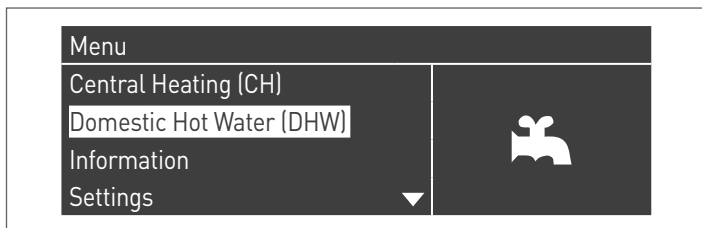
In this mode, the module is activated when the temperature detected by the storage tank sensor falls below the DHW set-point decreased by the hysteresis value and is deactivated when the temperature rises above the DHW setpoint increased by the hysteresis value.

The parameters that control DHW production are the following:

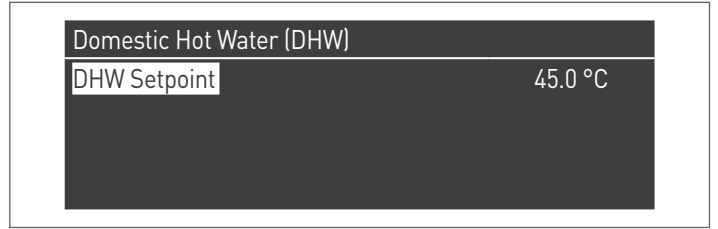
Par. No.	Description
36	Defines the hysteresis to initiate the domestic hot water demand.
37	Defines the hysteresis to stop the domestic hot water demand.
38	Defines the primary circuit's set-point increase in degrees compared to the temperature set for the domestic hot water tank.
39	Defines the primary circuit's restart hysteresis in modes 1 and 2 of DHW (valid both for cascade and stand-alone applications).
40	Defines the primary circuit's shut-off hysteresis in modes 1 and 2 of DHW (valid both for cascade and stand-alone applications).
41	Defines the value referred to the Delta T of the tank for maintenance purposes. E.g.: if it is set on 3, when the tank has a set point lowered of 3 degrees, the module turns on at the minimum to allow maintenance till the set point plus hysteresis. If this parameter is equal to 36, this function is inactivated and the module starts at the maximum sanitary power.
48	Establishes the DHW storage tank set-point.

The setpoint value can be set directly, without entering the list of the parameters:

- Press MENU and select "Domestic Hot Water" using the ▲ / ▼ keys.



- Press the ● key to confirm.



- Use the ► key to highlight the value, and use the ▲ / ▼ keys to change the selected value. Press the ● key to confirm/save the new settings.

the DHW value can be changed only when the "domestic hot water" function is enabled. See paragraph "Password access" for instructions about outdoor recovery.

Mode 2
(DHW production with storage tank controlled by a thermostat)

In this case, the module is activated when the thermostat contact inside the boiler is closed and is deactivated when the same is opened.

The parameters that control DHW production are the following:

Par. No.	Description
38*	Defines the primary circuit's set-point increase in degrees compared to the temperature set for the domestic hot water tank.
39	Defines the primary circuit's restart hysteresis in modes 1 and 2 of DHW (valid both for cascade and stand-alone applications).
40	Defines the primary circuit's shut-off hysteresis in modes 1 and 2 of DHW (valid both for cascade and stand-alone applications).
48	Establishes the DHW storage tank set-point.

- (*) The 38 parameter is active in this mode even if no storage tank sensor is installed and affects the delivery temperature of the module.

It can be used to limit the difference between the flow and set temperature on the tank thermostat so that the system efficiency is maximized.

Also in this case, the setpoint value can be set directly, without entering the parameters list, by accessing the "Domestic Hot Water" menu, as already earlier for mode 1.

Priority setting

The parameter 42 sets the priorities between the DHW and CH circuit.

Four modes are envisaged:

- 0 **Time:** timed priority between the two circuits. In the event of a simultaneous demand, initially the domestic hot water circuit is made to operate for a number of minutes equal to the value assigned to the parameter 43. At the end of this time period, the CH circuit is operated (also for the same amount of time) and so on until demand for one or the other circuit stops
- 1 **Off:** priority given to the heating circuit
- 2 **On:** priority allocated to the DHW circuit
- 3 **Parallel:** simultaneous operation of both circuits provided that the delivery temperature requested by the DHW circuit is lower than or equal to the setpoint requested by the heating circuit. When the temperature requested by the DHW circuit exceeds the heating setpoint, the circulation pump of the heating is turned off and priority is switched to the DHW.

REMARKS Zone requests are not treated as heating requests.

Anti-Legionella function

When the production of domestic hot water is activated (Par. 35= 1), using the parameters 107 and 108 it is possible to carry out a weekly scheduling of the "Anti-legionella" function.

Parameter 107 sets the day of the week on which the activity is performed, whilst parameter 108 sets the time.

At the programmed time, the module generates a request for domestic hot water storage set at a predefined setpoint of 60°C (not modifiable). Once a temperature of 60°C is reached, it is maintained for 30 minutes, during which time the system checks that the temperature of the sensor does not fall below 57°C. At the end of this time interval, the anti-legionella function ceases and normal operation of the module is restored.

Operation in "Anti-Legionella" mode has priority over other demands independently from the setting of the parameter 42.

Par. No.	Description
107	Sets the weekday on which the anti-Legionella procedure is carried out.
108	Sets the time of the day during which the anti-Legionella procedure is carried out.

3.1.6 Scheduled programme

Timer mode is designed to program the operation of the different circuits managed by the module (heating, DHW and additional mixed zones).

Seasonal Programme

The Seasonal Programme is use to exclude additional mixed zones during the summer season.

It does not control any DHW parameter.

Holiday Programme

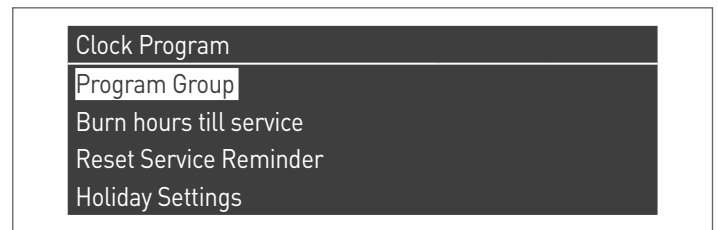
The Holiday Programme is used to exclude part of or all the circuits at a certain time of the year.

A holiday can be set both on the full system and on various groups of circuits.

The group system enables the user to add various circuits to the group to set a holiday period for several circuits at the same time. (For instance, to manage a semi-detached house with a centralised heating system when one of the two families is on holiday and the other is not).

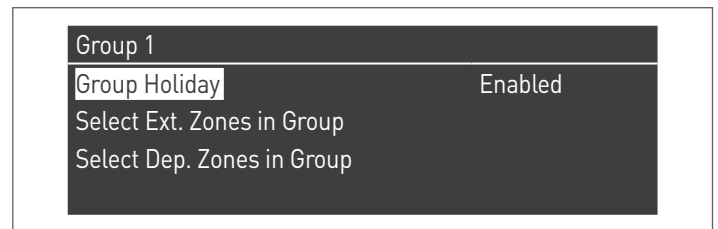
The set-point type can be adjusted so as to correspond to the desired setting.

The system can control up to a total of 16 "Mixed" zones. The programming of mixed areas is only allowed with an accessory. At the same time as these 16 areas, it is also possible to enable the CH zone (direct zone for central heating only).



The time programme includes the following parameters:

Group Programming

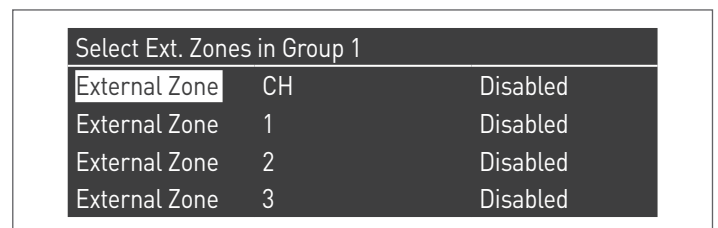


It enables the user to select a group to add zones to the selected group. It also enables the user to enable/disable the group in question.

Group settings are used to add zones to the groups.

The "Group programming" menu enables the use to chose among 8 groups. Each of them can be enabled or disabled.

Within it, it is possible to select zones to be added to the group (direct zone (CH) - mixed zones from 1 to 16)



N.B. The programming of mixed areas is only allowed with an accessory.

Heating programming

Group 1	
Program Comfort Period	1
Comfort Setpoint	28.0 °C
ECO Setpoint	20.0 °C
Out of interval setpoint	Reduced

It supports adjusting the time programme for the CH zones with the following parameters:

Period setting

Enables the user to select a period from 1 to 7. Period settings enable the user to adjust the active periods for this zone.

- **Active days:** Selection of the day (s) on which the period is active. Enables the user to disable the period set for one or more days. When this parameter is set as inactive, the other items on this menu are no longer used and hidden from the view. The choice of active days is between the following macro-groups: Sat-Sun, Mon-Fri, Mon-Sun, or individual days: Mon, Tue, Wed,...
- **Interval 1 (hidden if Active Days is disabled):** This parameter allows the user to regulate the starting and end time of the period. The starting time must always be before the finishing time.
- **Interval 2 (hidden if Active Days is disabled):** Same as interval 1. Interval added for the activated period.
- **Interval 3 (hidden if Active Days is disabled):** Same as interval 1. Interval added for the activated period.

External Zone CH - Period 1		
Active Day(s)	Sunday	
Interval 1	00:00	00:00
Interval 2	00:00	00:00
Interval 3	00:00	00:00

Comfort Set-point

Comfort temperature to be used when the zone is in a certain period. (10 -30 °C).

ECO set-point

ECO temperature. Adjustable temperature that can be used outside set periods (5 - 20 °C).

Set-points outside the interval

Selection of the type of set-point to be used when a zone is not on a set period by selecting between:

- Off
- Comfort
- Eco
- Anti-Freeze (is activated below 5°C NON-ADJUSTABLE)
- Reduced (Calculated as -10°C Comfort Set-point value)

DHW setting

Group 1	
Program Comfort Period	1
Out of interval setpoint	On

It supports adjusting the time programme for the DHW zone.

Period setting

Enables the user to select a period from 1 to 7. Period settings enable the user to adjust the active periods for this zone.

- **Active days:** Selection of the day (s) on which the period is active. Enables the user to disable the period set for one or more days. When this parameter is set as inactive, the other items on this menu are no longer used and hidden from the view. The choice of active days is between the following macro-groups: Sat-Sun, Mon-Fri, Mon-Sun, or individual days: Mon, Tue, Wed,...
- **Interval 1 (hidden if Active Days is disabled):** This parameter allows the user to regulate the starting and end time of the period. The starting time must always be before the finishing time.
- **Interval 2 (hidden if Active Days is disabled):** Same as interval 1. Interval added for the activated period.
- **Interval 3 (hidden if Active Days is disabled):** Same as interval 1. Interval added for the activated period.

External Zone DHW - Period 1		
Active Day(s)	Sunday	
Interval 1	00:00	00:00
Interval 2	00:00	00:00
Interval 3	00:00	00:00

Set-points outside the interval

Selection of the type of set-point to be used when a zone is not on a set period by selecting between:

- Off
- On

Holiday setting

Holiday Settings	
Mode	Group
Group	1

Enables the user to change parameters for the Holiday Programme.

Mode

Select the Holiday programme mode. It can be set to Off, System or group.

Off

Disabled programme

Group

it enables the selection of the group (1 – 8).

As part of group selection, the Holiday Group is displayed with the following parameters:

- **Holiday set-point:** Set-point type to be used for the selected group. All zones in this group shall use this set-point if the current date is between the start and end date of the holiday period, but only if the group is enabled in the group settings menu, and can be selected from: Off, Comfort, Eco, Anti-freeze and Reduced.
- **Start date / End date (Day DD-MM-YEAR):**

External Zone DHW - Period 1		
Active Day(s)	Sunday	
Interval 1	00:00	00:00
Interval 2	00:00	00:00
Interval 3	00:00	00:00

- **System:** It enables the user to select the holiday programme for the entire system. In this mode, the set-point is common to all system groups.

External Zone DHW - Period 1		
Active Day(s)	Sunday	
Interval 1	00:00	00:00
Interval 2	00:00	00:00
Interval 3	00:00	00:00

- **Holiday set-point (hidden if the Mode is set to "Off"):** Type of reference to be used when system mode is selected. This set-point is used for all areas. Only used for the holiday system.

Seasonal setting

Enables the user to change parameters for the Seasonal Programme.

The seasonal programme is used to define a period of inactivity for the heating system. This menu includes the following elements:

Activates heating basis

Selects how the seasonal programme must verify whether heating can be allowed or not. It can be set on:

- **Always:** it means that the seasonal programme is ignored and (CH) heat demand is always allowed throughout the year.

Season Settings	
Mode	Off

- **At date:** excludes heating (CH+zone) when the current date is included between the start and the end dates.

Season Settings	
Mode	On Date
Begin Date	15-04
End Date	15-09

- **At Temp:** excludes heating (CH+zone) when the outdoor temperature is higher than the selected temperature. (Ext. deactivation T: 0.0 °C/50 °C)

Season Settings	
Mode	On Temp
Outdoor Temp. Below	25.0 °C

3.1.7 Module information

In order to display key information on the screen, press the menu key and select "Information" with the ▲ / ▼ keys.



Press the ● key to confirm.

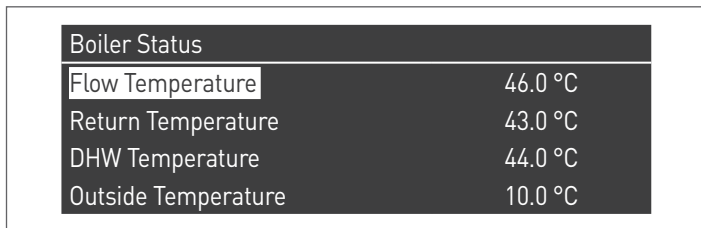
The following screen will be displayed:



By selecting "Boiler status" and pressing the ● key, the following values are displayed:

- Delivery temperature
- Return temperature
- DHW temperature (the sensor must be connected in order to display a value; if it is not present, the default value is displayed)
- Outside temperature
- Flue gas temperature
- System temperature (the sensor must be connected in order to display a value; if it is not present, the default value is displayed)
- Fan speed
- Ionization
- State
- Error

A The display shows four lines at a time. You can scroll the list by using the ▲ / ▼ keys.



By selecting "Boiler log" and pressing the ● key, the following values are displayed:

- Firing OK
- No firing
- No flame det.
- Oper. days
- Heat. burner hours
- DHW burner hours



You can scroll the list by using the ▲ / ▼ keys.

By selecting "Error log" and pressing the ● key, the following values are displayed:

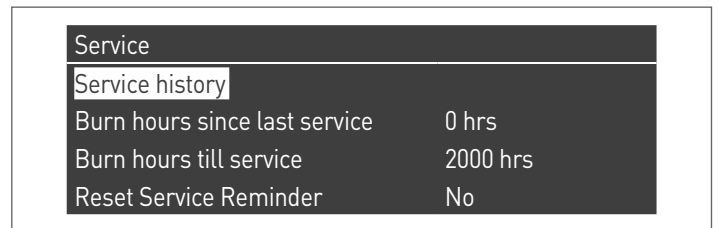
- Error log (the errors listed in paragraph "Manual error list" are displayed)
- Error filter (in the "Error filter" item, it is possible to select: Disabled - Vol. Err. - Block)
- Erase Error Log (allowed only with Installer password)



You can scroll the list by using the ▲ / ▼ keys.

By selecting "Maintenance" and pressing the ● key, the following values are displayed:

- Maintenance log (each time a "Maintenance reminder reset" is performed, the event is logged)
- Oper. hours since last Maint.
- Oper. hours until next Maint
- Maintenance reminder reset (accessible only with installer password)
- Delete Maint. history (accessible only with OEM password)

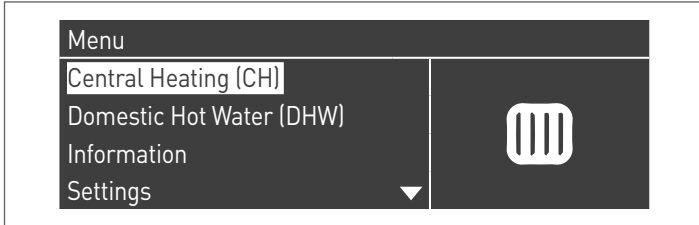


You can scroll the list by using the ▲ / ▼ keys.

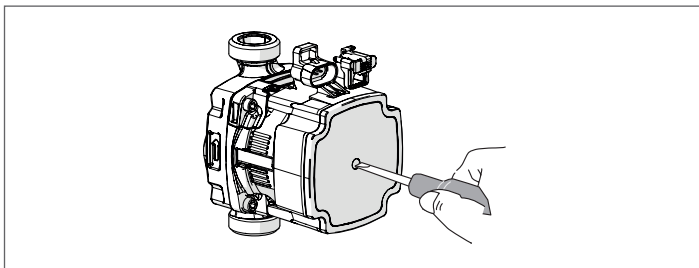
3.2 Checks during and after initial start-up

After start-up, a check must be made by performing a shutdown and subsequent restart of the module in the following manner:

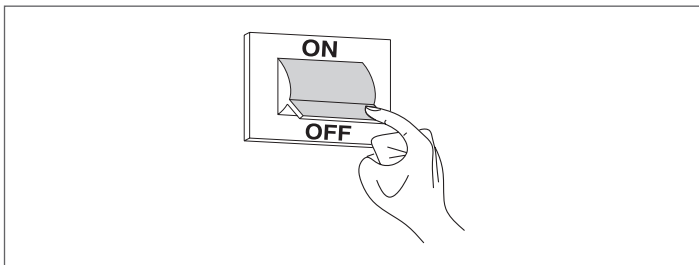
- Set the operating mode of the module in heating mode to 0 (Par. 1) and close the TA inlet to generate a heat request
- If required, increase the set-point value (CH → Heating Set-point)



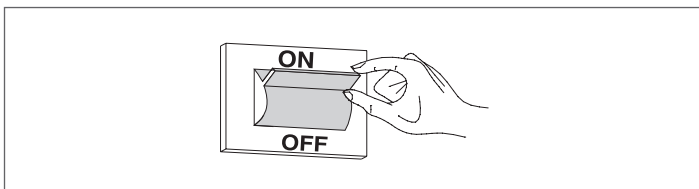
- Make sure that all the pumps in the system are free and rotate in the right direction



- Check the total shutdown of the module by removing the heat request by opening the "TA" contact (OFF).
- Verify the complete shutdown of the module by setting the appliance's main switch and the system's power switch to "off".

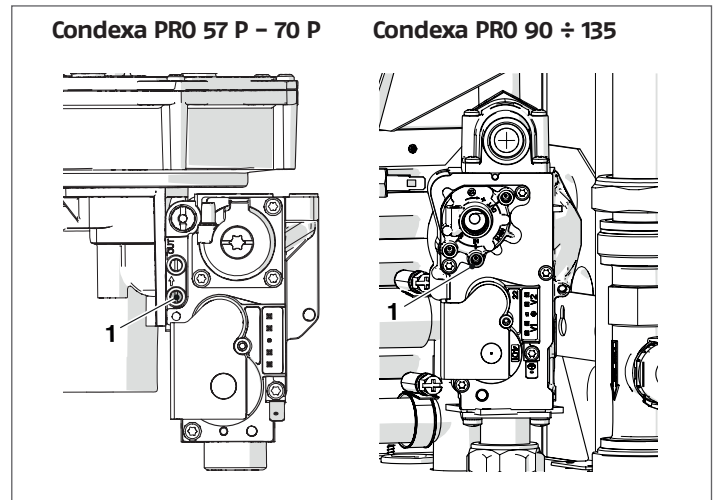


If all conditions are fulfilled, power the module by setting the system's power switch and the appliance's main switch to "on" and carry out the combustion product analysis (see paragraph "Adjustments").

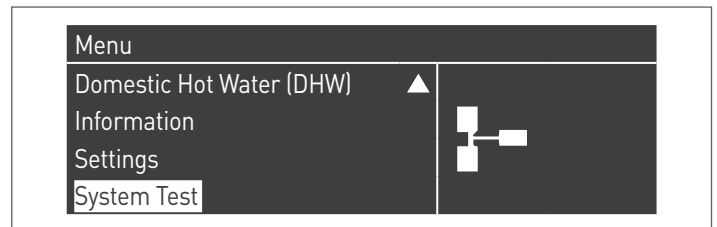


SUPPLY GAS PRESSURE CHECK

- Turn the main system switch "off"
- Remove the locking screws and the panel's front side
- Loosen by about two turns the pressure inlet screw (1) upstream of the gas valve and connect the pressure gauge



- Power the module by setting the system's power switch and the appliance's main switch to "on".



- select "Max. power" with the ▲ / ▼ keys and press ● to confirm. The fan starts turning at its maximum speed (which can vary based on the model).



DESCRIPTION	G20	G30	G31	
Wobbe index	45,7	80,6	70,7	MJ/m ³
Nominal supply pressure	20	28-30	37	mbar

After the checks:

- select "OFF" with the ▲ / ▼ keys and press ● to confirm.
- Disconnect the pressure gauge and tighten again the pressure test point screw (1) upstream from the gas valve.



- Fulfil the operations, place back the front panel and lock the locking screws.

3.3 Error List

When a display has a technical fault, a numeric error code appears that will enable the maintenance operator to identify the possible cause.

There are 3 categories of errors:

- 1 Permanent: errors that require a manual reset
- 2 Temporary: errors that are automatically reset once the cause that generated them is removed or stopped
- 3 Notices: simple warnings that do not block the appliance's operation

3.3.1 Permanent Errors

Nr.	Error	Description	Checks	Solutions
0	E2PROM_READ_ERROR	Internal software error		Control board replacement
1	IGNIT_ERROR	Three unsuccessful ignition attempts in a row	Check gas supply pressure Check ignition spark Correct amount of air Check for voltage at the gas valve	If the gas supply pressure is incorrect, it must be adjusted to the correct pressure If spark is not present check for correct ignition electrode position If the combustion air pressure is incorrect, inspect the vent system and eliminate any obstructions If the voltage at the gas valve is not the same as the boiler power supply, replace the control board
2	GV_RELAY_ERROR	Failure detected in the GV (Gas Valve) relay	Check the integrity of the wire connections between gas valve and control board	If wires are damaged, replace them If the wiring is intact, replace the gas valve or the control board
3	SAFETY_RELAY_ERROR	Internal control board error		a) If the error appears during operation, replace the control board b) If the error appears when the boiler is starting up (using main switch), check that the limit thermostat (and wiring) is integral
4	BLOCKING_TOO_LONG	Control had a blocking error for more than 20 hours	Press RESET button to display the Blocking error description	Remove the cause of the Blocking error
5	FAN_ERROR_NOT_RUNNING	Fan is not running for more than 60 seconds	Check that the fan is connected to the power supply Check PWM connection of the fan	If there is no voltage, replace the control board If no PWM signal is present, replace control board Replace the fan
6	FAN_ERROR_TOO_SLOW	Fan runs too slow for more than 60 seconds		
7	FAN_ERROR_TOO_FAST	Fan runs too fast for more than 60 seconds		
8	RAM_ERROR	Internal software error		Control board replacement

Nr.	Error	Description	Checks	Solutions
9	WRONG_EEPROM_SIGNATURE	Contents of Eeprom is not up to date		Control board replacement
10	E2PROM_ERROR	Wrong safety parameters in Eeprom		Control board replacement
11	STATE_ERROR	Internal software error		Control board replacement
12	ROM_ERROR	Internal software error		Control board replacement
15	MAX_TEMP_ERROR	The external overheat protection is enabled or the T_Supply sensor measures a temperature of over 100°C (212°F)	<p>Check the pump to verify the flow circulation</p> <p>Check if the valves on hydraulic circuit are open</p> <p>Check the safety thermostat</p>	<p>Change the pump or restart it</p> <p>Open the valves on hydraulic circuit</p> <p>Replace the safety thermostat</p>
16	FLUE_GAS_ERROR	Flue temperature exceeded the maximum flue temperature		
17	STACK_ERROR	Internal software error		Control board replacement
18	INSTRUCTION_ERROR	Internal software error		Control board replacement
19	ION_CHECK_FAILED	Internal software error		Control board replacement
20	FLAME_OUT_TOO_LATE	Flame still present 10 seconds after closing the gas valve		Replace the gas valve
21	FLAME_BEFORE_IGNIT	Flame is detected before ignition		Replace the gas valve
22	Loss of flame	Flame lost three times during a request		
23	CORRUPTED_ERROR_NR	Error code RAM byte was corrupted to an unknown error code		
29	PSM_ERROR	Internal software error		
30	REGISTER_ERROR	Internal software error		Control board replacement

3.3.2 Temporary Errors

Nr.	Error	Description	Checks	Solutions
100	WD_ERROR_RAM	Internal software error		Control board replacement
101	WD_ERROR_ROM	Internal software error		Control board replacement
102	WD_ERROR_STACK	Internal software error		Control board replacement
103	WD_ERROR_REGISTER	Internal software error		Control board replacement
106	REFHI_TOO_HIGH / REFHI_TOO_LOW	Internal software error		Control board replacement
107	REFHI_TOO_HIGH / REFHI_TOO_LOW	Internal software error		Control board replacement
108	REFHI_TOO_HIGH / REFHI_TOO_LOW	Internal software error		Control board replacement
109	REFHI_TOO_HIGH / REFHI_TOO_LOW	Internal software error		Control board replacement
110	REFHI_TOO_HIGH / REFHI_TOO_LOW	Internal software error		Control board replacement
111	REFHI_TOO_HIGH / REFHI_TOO_LOW	Internal software error		Control board replacement
112	REFHI_TOO_HIGH / REFHI_TOO_LOW	Internal software error		Control board replacement
113	REFHI_TOO_HIGH / REFHI_TOO_LOW	Internal software error		Control board replacement
114	FALSE_FLAME	Flame is detected in a state in which no flame is allowed to be seen.		Control board replacement
115	LOW_WATER_PRESSURE_ERROR	Low water pressure error		
118	WD_COMM_ERROR	Watchdog communication error		Control board replacement
119	RETURN_OPEN	Return sensor open	Check the integrity of the wire connections Check the return temperature sensor	If the wiring is damaged, replace it Verify that the temperature sensor has the correct resistance values. If values are incorrect sensor must be replaced.
120	SUPPLY_OPEN	Supply sensor open	Check the integrity of the wire connections Check the return temperature sensor	If the wiring is damaged, replace it Verify that the temperature sensor has the correct resistance values. If values are incorrect sensor must be replaced.
122	DHW_OPEN	DHW sensor open	Check the integrity of the wire connections Check the DHW temperature sensor	If the wiring is damaged, replace it Verify that the temperature sensor has the correct resistance values. If values are incorrect sensor must be replaced.
123	FLUE_OPEN	Flue sensor open		
126	RETURN_SHORTED	Return sensor shorted	Check the integrity of the wire connections Check the return temperature sensor	If the wiring is damaged, replace it Verify that the temperature sensor has the correct resistance values. If values are incorrect sensor must be replaced.

Nr.	Error	Description	Checks	Solutions
127	SUPPLY_SHORTED	Supply sensor shorted	Check the integrity of the wire connections Check the return temperature sensor	If the wiring is damaged, replace it Verify that the temperature sensor has the correct resistance values. If values are incorrect sensor must be replaced.
129	DHW_SHORTED	DHW sensor shorted	Check the integrity of the wire connections Check the DHW temperature sensor	If the wiring is damaged, replace it Verify that the temperature sensor has the correct resistance values. If values are incorrect sensor must be replaced.
130	FLUE_SHORTED	Flue sensor shorted	Check the integrity of the wire connections Check the Outdoor temperature sensor	If the wiring is damaged, replace it Verify that the temperature sensor has the correct resistance values. If values are incorrect sensor must be replaced.
133	Net Freq Error	Net. freq. error detected by the watchdog		
134	RESET_BUTTON_ERROR	Too many resets in a short time period		
163	T_SELECTION1_OPEN	Heat exchanger's flow rate too low		
164	Boiler model not detected	Boiler model not set		

3.3.3 Warnings

Nr.	Error	Description	Checks	Solutions
200	CC_LOSS_COMMUNICATION	Cascade system: the burner of the managing module has lost the signal of one of the dependent thermal module burner		
201	CC_LOSS_COMMUNICATION	Cascade system: the managing module has lost the signal of one of the dependent modules		
202	OUTDOOR_WRONG	Outdoor sensor is open or shorted		
203	T_SYSTEM_WRONG	T_System sensor is open or shorted		
204	T_CASCADE_WRONG	T_Cascade sensor is open or shorted		
207	DHW sensor error	DHW sensor error		
208	Zone sensor error	Zone sensor error		
209	Boiler request disabled	Boiler request disabled		

3.4 Transformation from one gas type to another

3.4.1 Gas conversion for G30/G31

The **Condexa PRO** module is supplied for operation with G20 (methane). However, it can be converted to operation with G30-G31 (L.P.G.) using the dedicated accessory supplied as standard.

⊘ Forbidden in Belgium and Switzerland.

⚠ Conversion can only be executed by Technical Assistance Service or staff authorised by **RIELLO**.

⚠ In order to execute the conversion, only follow the instructions in this manual and the provisions of safety standards.

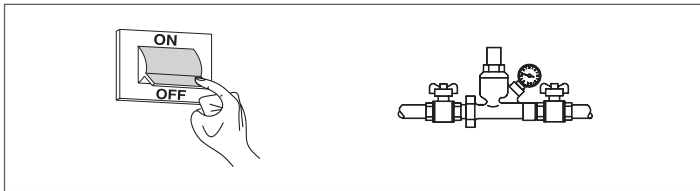
⚠ If the information contained in these instructions is not properly performed or performed by personnel not properly trained, there is a potential risk of fuel leakage and/or carbon monoxide production resulting in personal injury and/or injury.

⚠ Conversion is not complete until all the control steps described in these instructions have been carried out.

⚠ After conversion, calibrate the CO2 as shown in the "Adjustment" Paragraph.

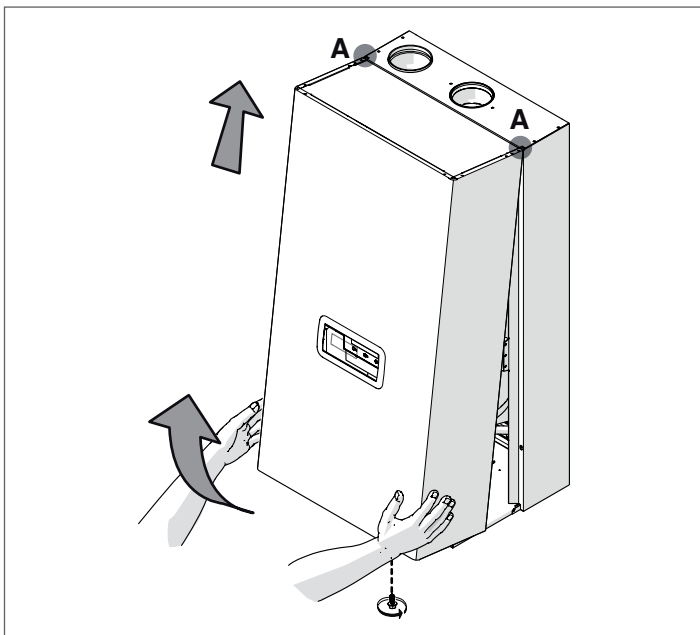
Before making the transformation:

- make sure that both the main switch, the switch on the module, and the switch on the unit you are working on are in the "off" position.
- check that the fuel interception system valve is closed.



To install the accessory:

- remove the locking screw
- pull the front panel outwards and then to the top to decouple it from points A.

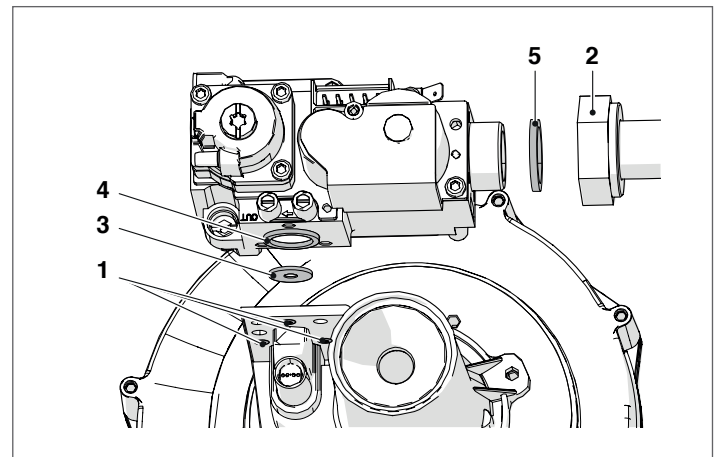


Versions Condexa PRO 57 P to Condexa PRO 70 P

- disconnect the electrical connections of the fan and the gas valve
- unscrew the swivel nut (2) on the gas pipe
- unscrew the fan screws to separate the fan from the heat exchanger
- unscrew the three screws (1) to separate the valve from the fan
- insert the related diaphragm (3) onto the gasket (4) without removing the gasket itself

Model	int. Ø (mm)
Condexa PRO 57 P	6.25
Condexa PRO 70 P	6.25

- check the integrity of the gasket (5); if necessary replace it
- retighten the valve
- retighten the fan screws
- screw the swivel nut (2) on the gas pipe
- reconnect the electrical connections of the fan and the gas valve



Check the tightening torques described in the "Torque value" section.

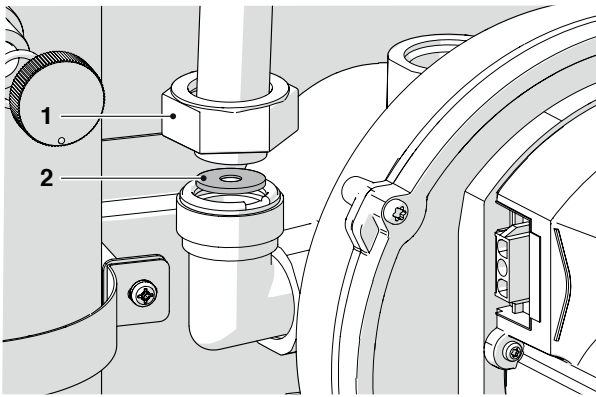
Versions Condexa PRO 90 - Condexa PRO 135

- disconnect the electrical connections of the fan and the gas valve
- unscrew the swivel nut (1) to remove the gas pipe from the fan
- loosen or unscrew the swivel nut on the gas valve to completely free the gas pipe
- insert the appropriate diaphragm (2) inside the brass curve

Model	int. Ø (mm)
Condexa PRO 90	9
Condexa PRO 100	9
Condexa PRO 115	9.25
Condexa PRO 135	9.25

- check the integrity of the gasket; replace it if necessary
- screw the swivel nut (1) to separate the gas pipe from the fan
- screw the swivel nut onto the gas valve to completely free the gas pipe
- reconnect the electrical connections of the fan and the gas valve

Condexa PRO 90 – Condexa PRO 100

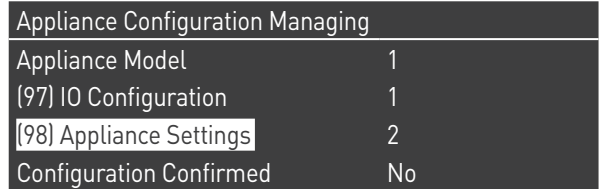


It is now necessary to change the setting of the parameter 98. Proceed as follows:

- On the home screen of the control panel, press the MENU
- Select "Settings" with the ▲ / ▼ keys and press the ● key
- Select "Device configuration" with the ▲ / ▼ keys and press the ● key



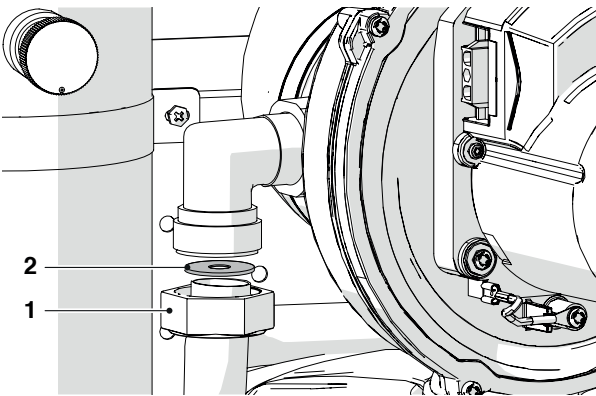
- Enter the password as described in paragraph "Password access"
- Press the ▼ button, select "(98) Appliance settings" and press the ● button



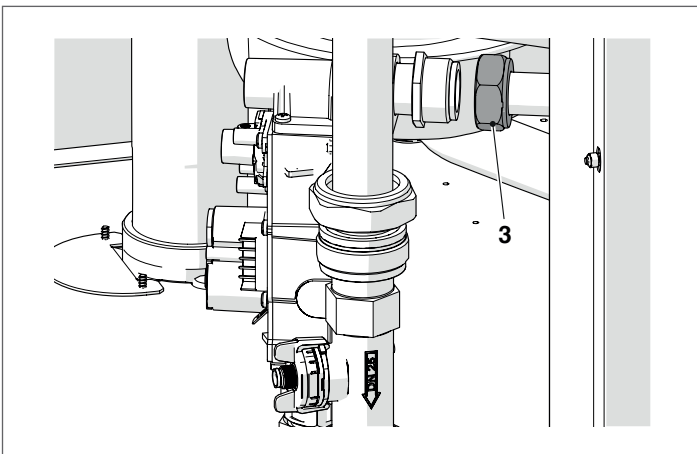
- With the ▲ / ▼ keys change the value following what is in the following table and press the ● key:

Model	Parameter 98
Condexa PRO 57 P	12
Condexa PRO 70 P	10
Condexa PRO 90	8
Condexa PRO 100	6
Condexa PRO 115	4
Condexa PRO 135	2

Condexa PRO 115 – Condexa PRO 135



- if it is difficult to insert the diaphragm, unscrew the swivel nut (3) to completely free the gas pipe.

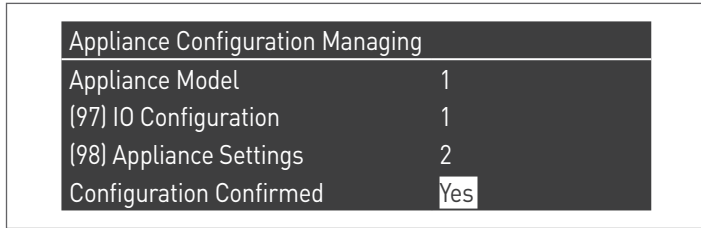


Check the tightening torques described in the "Torque value" section.

For all models

- Fulfil the operations, place back the front panel and lock the locking screws.
- Open the gas detection valve.
- Switch the electricity supply ON at the system's main switch and at the control panel.
- Make sure that there is no heat or DHW demand.

- Press the ▼ key, select "Config. Confirmed" and press the ● key
- With the ▲ / ▼ keys change the value to "Yes" and press the ● key

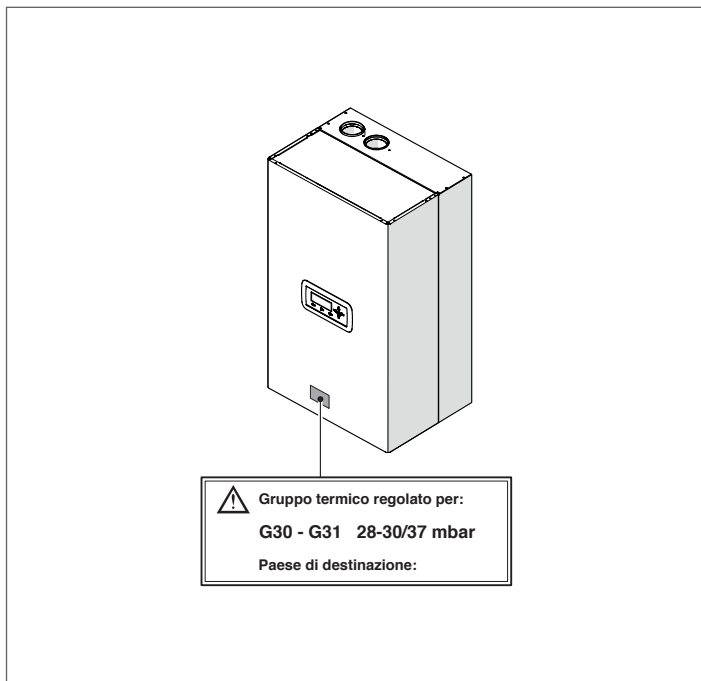


At this point the systems starts an application update process. Once this is finished, the menu "Settings" appears on the menu.

- Press ◀ until you return to the home screen

An error message is displayed for a few seconds and then the display returns to its normal state.

Apply the adhesive for the feeding to G30-G31.



After installing the accessory, check all gaskets tightness. Carry out all calibration activities described in Paragraph "Adjustments".

Restore the desired set points.

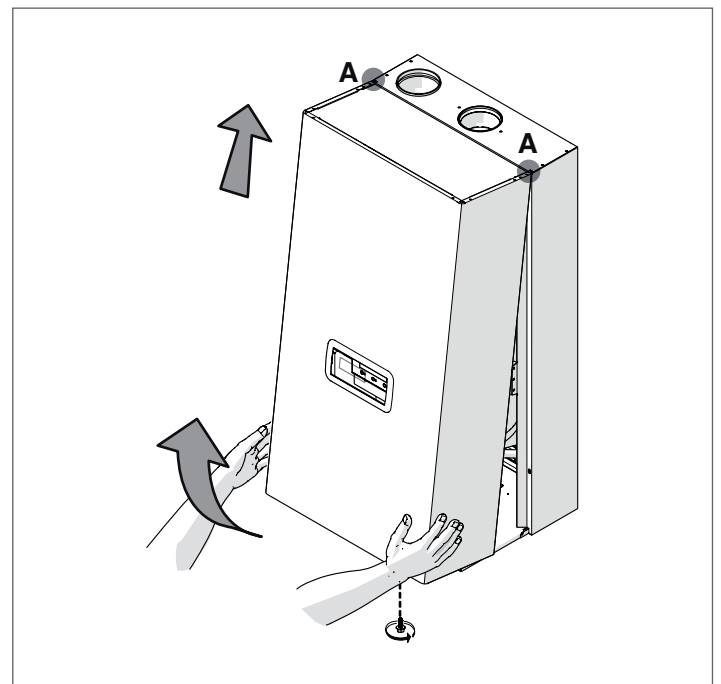
3.5 Adjustments

The **Condexa PRO** module is supplied for operation with G20 (methane) according to the data plate and has already been factory-adjusted by the manufacturer. However, if it is necessary to repeat the adjustments, for example after non-scheduled maintenance, replacing the gas valve or after transformation from G20 gas to G30-G31 gas, or vice versa, proceed as described below.

⚠ Adjustments to maximum and minimum power must be performed in the indicated sequence and only by Technical Assistance Service.

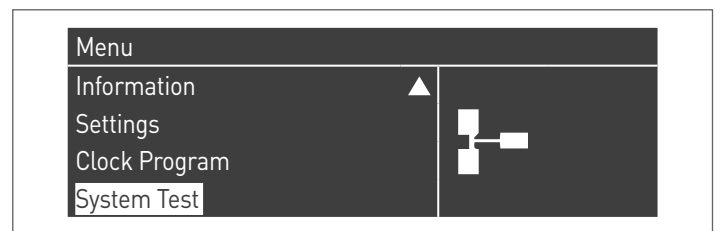
Before making the regulation:

- remove the locking screw
- pull the front panel outwards and then to the top to decouple it from points A.



CO2 ADJUSTMENT AT MAXIMUM POWER

- Press the MENU key, select "System test" and press ● to confirm.



- Press the ● key to enter in "Master" and confirm by pressing the ● key.



- select "Max. power" with the ▲ / ▼ keys and press ● to confirm. The fan starts turning at its maximum speed (which can vary based on the model).

System Test Managing	
Test State	High Power
Fan Speed	0 rpm
Ionisation	0.0 µA
Flow Temperature	44.3 °C

- the appliance will operate at maximum power.
- unscrew the cap (1) and insert the combustion analyser sensor
- adjust the CO₂ by using a screwdriver to adjust the screw (2) on the gas valve, until you reach the value shown in the table.

CO ₂ % maximum power	Gas type			
	G20	G25	G30	G31
Condexa PRO 57 P	9 ^(+0.2) _(-0.4)	9 ^(+0.2) _(-0.2)	10,4 ^(+0.2) _(-0.2)	10,4 ^(+0.2) _(-0.2)
Condexa PRO 70 P	9 ^(+0.2) _(-0.4)	9 ^(+0.2) _(-0.2)	10,4 ^(+0.2) _(-0.2)	10,4 ^(+0.2) _(-0.2)
Condexa PRO 90	9 ^(+0.2) _(-0.4)	9 ^(+0.2) _(-0.2)	10,4 ^(+0.2) _(-0.2)	10,4 ^(+0.2) _(-0.2)
Condexa PRO 100	9 ^(+0.2) _(-0.4) (*)	9 ^(+0.2) _(-0.2)	10,4 ^(+0.2) _(-0.2)	10,4 ^(+0.2) _(-0.2)
Condexa PRO 115	9 ^(+0.2) _(-0.4)	9 ^(+0.2) _(-0.2)	10,4 ^(+0.2) _(-0.2)	10,4 ^(+0.2) _(-0.2)
Condexa PRO 135	9 ^(+0.2) _(-0.4) (*)	9 ^(+0.2) _(-0.2)	10,4 ^(+0.2) _(-0.2)	10,4 ^(+0.2) _(-0.2)

⚠ (*) In Belgium, Switzerland and Hungary the value must be adjusted to 8.6^(+0.5)_(-0.5).

CO₂ ADJUSTMENT AT MINIMUM POWER

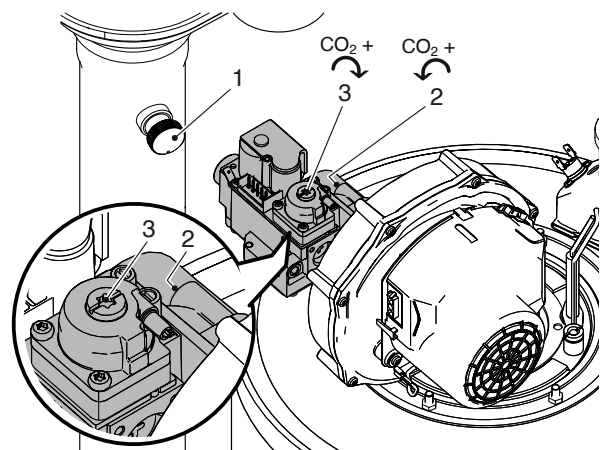
- Select "Min. power" with the ▲ / ▼ keys and press ● to confirm.

System Test Managing	
Test State	Low Power
Fan Speed	0 rpm
Ionisation	0.0 µA
Flow Temperature	44.3 °C

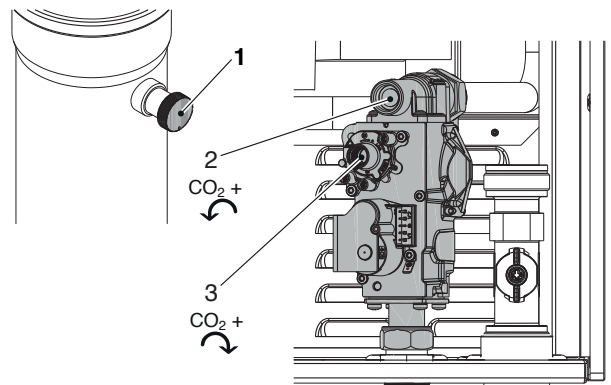
- the appliance will operate at minimum power.
- Adjust the CO₂ using a screwdriver on the adjustment screw (3) on the fan unit, so as to obtain a value listed in the table.

Minimum power CO ₂ %	Gas type			
	G20	G25	G30	G31
Condexa PRO 57 P	9 ^(+0.2) _(-0.4)	9 ^(+0.2) _(-0.2)	10,4 ^(+0.2) _(-0.2)	10,4 ^(+0.2) _(-0.2)
Condexa PRO 70 P	9 ^(+0.2) _(-0.4)	9 ^(+0.2) _(-0.2)	10,4 ^(+0.2) _(-0.2)	10,4 ^(+0.2) _(-0.2)
Condexa PRO 90	9 ^(+0.2) _(-0.4)	9 ^(+0.2) _(-0.2)	10,4 ^(+0.2) _(-0.2)	10,4 ^(+0.2) _(-0.2)
Condexa PRO 100	9 ^(+0.2) _(-0.4)	9 ^(+0.2) _(-0.2)	10,4 ^(+0.2) _(-0.2)	10,4 ^(+0.2) _(-0.2)
Condexa PRO 115	9 ^(+0.2) _(-0.4)	9 ^(+0.2) _(-0.2)	10,4 ^(+0.2) _(-0.2)	10,4 ^(+0.2) _(-0.2)
Condexa PRO 135	9 ^(+0.2) _(-0.4)	9 ^(+0.2) _(-0.2)	10,4 ^(+0.2) _(-0.2)	10,4 ^(+0.2) _(-0.2)

Versions Condexa PRO 57 P to Condexa PRO 70 P



Versions Condexa PRO 90 - Condexa PRO 135



CHECKING THE CALIBRATION

Select the "Max. power" value, wait until speed stabilises and check that CO₂ correspond to required ones.

After the checks:

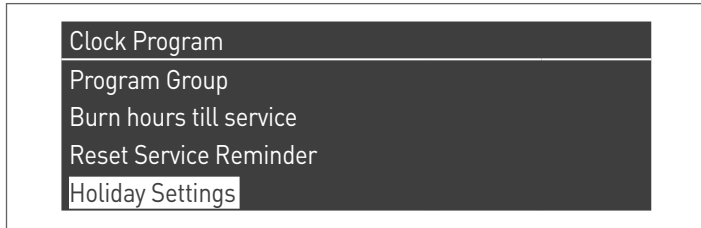
- select "OFF" with the ▲ / ▼ keys and press ● to confirm.
- remove the analyser sensor and carefully retighten the cap (1)
- place back the front panel and lock the locking screw.

System Test Managing	
Test State	Off
Fan Speed	0 rpm
Ionisation	0.0 µA
Flow Temperature	44.3 °C

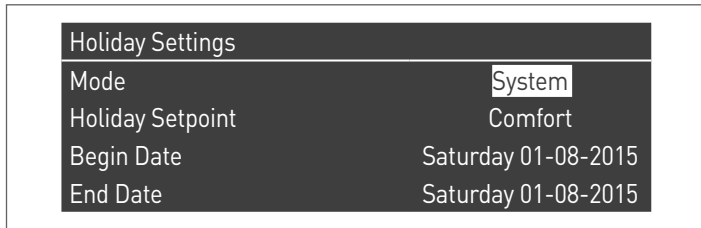
3.6 Temporary or short-term shut-down

In the event of temporary or short-term shut-down (e.g. due to holidays), proceed as follows:

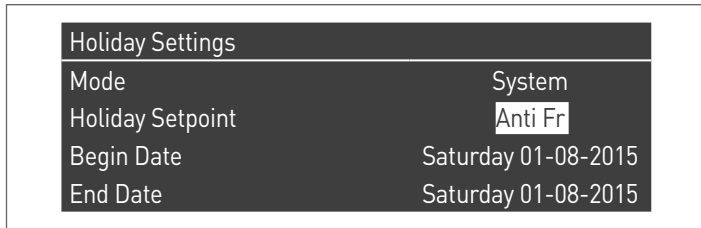
- Press the MENU key and select with keys ▲ / ▼ "Time schedule", confirm with key ●.
- Select with keys ▲ / ▼ "Holiday Schedule" and confirm with key ●.



- Select with keys ▲ / ▼ "Mode" and confirm with key ●. Select "System" mode and confirm.



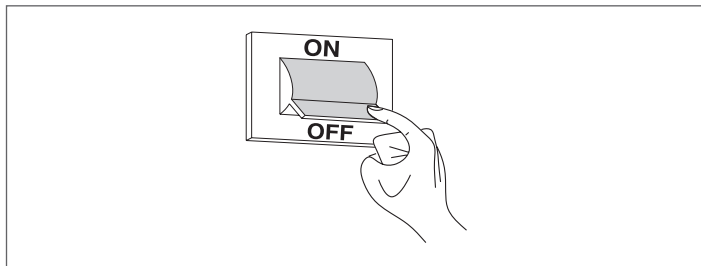
- Select with keys ▲ / ▼ "Holiday Setpoint" and confirm with key ●.
- Select "Antifreeze" holiday setpoint and confirm.



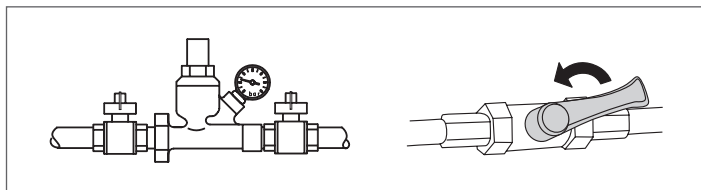
3.7 Preparing for extended periods of disuse

The following operations shall be necessary if the module is not used for a long period of time:

- set the modules' main switch and the system's main switch to "off"



- Close the fuel and water valves for the heating and domestic hot water system.



- ⚠** Empty the thermal and sanitary system if there is a danger of frost.

3.8 Replacing the display and control boards

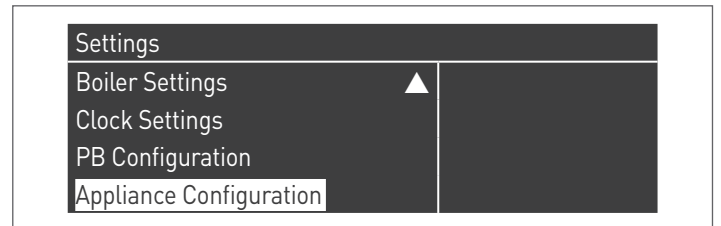
- ⚠** System configurations must be performed only by the Technical Assistance Service or by personnel authorized by **RIELLO**.

When replacing the front control panel, an initial screen with the logo is displayed on the next reboot **RIELLO**.

The system performs a consistency check between the configuration data saved on the motherboard and those saved in the user interface; therefore, when replacing the control interface, the system can detect an inconsistency between the saved data. Set the Par. 97 and the Par. 98.

Proceed as follows:

- On the home screen of the control panel, press the ● key
- Select "Settings" with the ▲ / ▼ keys and press the ● key
- Select "Device configuration" with the ▲ / ▼ keys and press the ● key

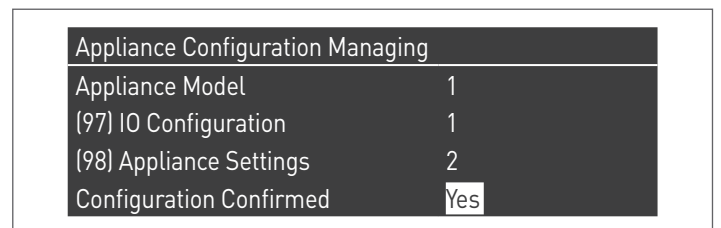


- Enter the password as described in paragraph "Password access"
- Select "Appliance Model" and press the ● button
- With the ▲ / ▼ keys change the value following what is in the following table and press the ● key:
- Select "(97) IO Configuration" and press the ● button
- With the ▲ / ▼ keys change the value following what is in the following table and press the ● key:

Model	Appliance Model	Par. 97
Condexa PRO 57 P	1	1 (*)
Condexa PRO 70 P	1	1 (*)
Condexa PRO 90	1	1 (*)
Condexa PRO 100	1	1 (*)
Condexa PRO 115	1	1 (*)
Condexa PRO 135	1	1 (*)

- ⚠** (*) Factory setting. It may be necessary to change the value depending on the type of installation and the accessories installed.

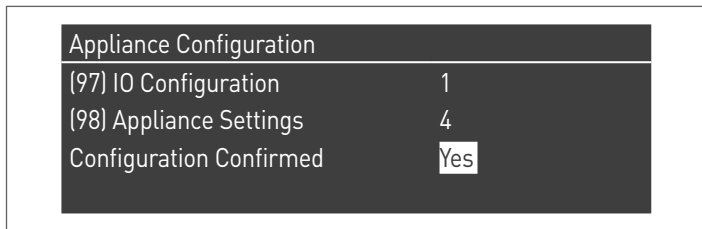
- Press the ▼ key, select "(98) Appliance Settings" and press the ● key



- With the ▲ / ▼ keys change the value following what is in the following table and press the ● key:

Model	Gas	Par. 98
Condexa PRO 57 P	methane	11
	LPG	12
Condexa PRO 70 P	methane	9
	LPG	10
Condexa PRO 90	methane	7
	LPG	8
Condexa PRO 100	methane	5
	LPG	6
Condexa PRO 115	methane	3
	LPG	4
Condexa PRO 135	methane	1
	LPG	2

- Press the ▼ key, select "Config. Confirmed" and press the ● key
- With the ▲ / ▼ keys change the value to "Yes" and press the ● key



At this point the systems starts an application update process. Once this is finished, the menu "Settings" appears on the menu.

- Press ◀ until you return to the home screen

An error message is displayed for a few seconds and then the display returns to its normal state.

Check the settings for parameter 116:

Model	Par. 116
Condexa PRO 57 P	0
Condexa PRO 70 P	0
Condexa PRO 90	0
Condexa PRO 100	0
Condexa PRO 115	0
Condexa PRO 135	0

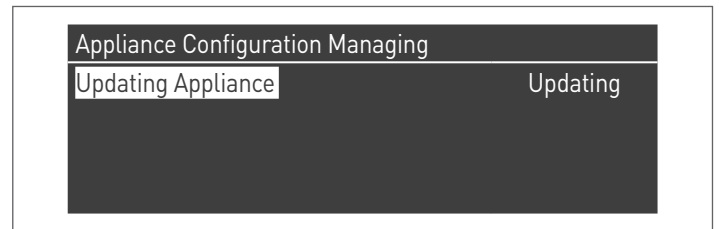
3.9 Replacing the Dependent board

⚠ System configurations must be performed only by the Technical Assistance Service or by personnel authorized by **RIELLO**. When replacing the front control panel, an initial screen with the logo is displayed on the next reboot **RIELLO**.

Before configuring:

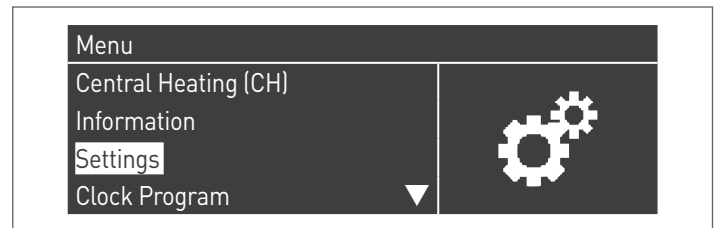
- Disconnect the power supply to all modules
- Remove the failed board and replace it with the new one with the selected dipswitch
- Disconnect the display from the Managing board and connect it to the Dependent board
- Power the replaced board

The display updates the board automatically with the Managing configuration.

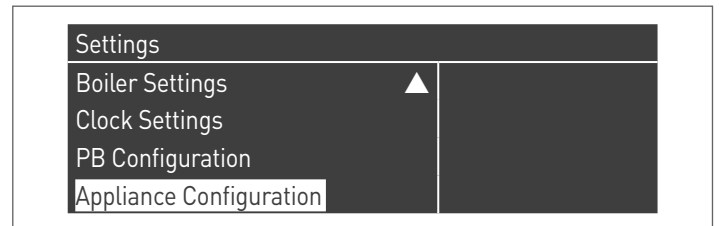


After the configuration is complete, the board must be reconfigured into a Dependent board:

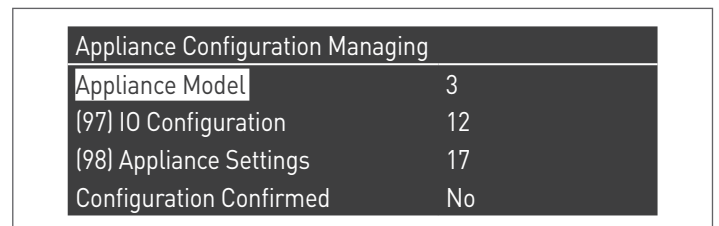
- Press the Menu key on the display
- Select "Settings" with the ▲ / ▼ keys and press the ● key



- Select "Appliance Configuration" using keys ▲ / ▼ and press ●



- Enter the password as described in paragraph "Password access". The configuration menu appears on the display



- Select "(97) IO Configuration" and press the ● button
- Use keys ▲ / ▼ to change the value from 12 to 13 and press ● to confirm

Appliance Configuration Managing	
Appliance Model	3
(97) IO Configuration	13
(98) Appliance Settings	17
Configuration Confirmed	Yes


At this point, the system starts updating the application.

Appliance Configuration Managing	
Updating Appliance	Updating

- After the configuration is complete, select "Boiler Settings" using keys ▲ / ▼ and press ●

Settings	
General Settings	
Boiler Settings	
Clock Settings	
PB Configuration ▼	

- Select "Module Cascade Settings" using keys ▲ / ▼ and press ●

Boiler Settings	
Boiler Parameters	
Module Cascade Settings	
Boiler Cascade Settings	
Boiler error settings ▼	

- Select "Dipswitch Config" using keys ▲ / ▼ and press ●
- Use keys ▲ / ▼ to set in "Enabled" and press ● to confirm

Module Cascade Settings	
(189) Burner Address	Managing
(194) Dipswitch Config.	Enabled
Boiler demand disabled	No
(72) Permit EmergencyMode	Yes ▼

- After making the modifications, press ESC to return to the HOME page

12:11	
Dependent	
◆ Calculated Setpoint	20.0°C

- Disconnect the power supply to the Dependent board; disconnect the Display from the Dependent board and connect it to the Managing board. Power the Managing board and, after the initialisation phase when the logo is displayed RIELLO, the Display automatically switches to the "Master Device Configuration" page; use keys ▲ / ▼ to configure the parameters and press ● to confirm

Appliance Configuration Managing	
Appliance Model	0
(97) IO Configuration	0
(98) Appliance Settings	0
Configuration Confirmed	No

Appliance Configuration Managing	
Appliance Model	3
(97) IO Configuration	13
(98) Appliance Settings	17
Configuration Confirmed	Yes

After the configuration is complete, the Display shows a configuration error for a short time. Disconnect the power supply to the Managing board and power all modules simultaneously.

3.10 Maintenance

It is mandatory to perform maintenance and cleaning of the device at least once a year.

⚠ The non-performance of the annual maintenance will invalidate the warranty.

This operation, carried out by Technical Assistance Service or by professionally qualified personnel, is necessary to monitor and ensure that the flue pipes inside and outside of the device, the fan, the safety valves, the condensate removal devices, the water drainage tubes and all the measurement and control devices are in perfect working order.

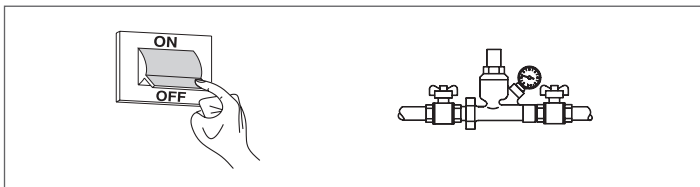
Table of the compulsory maintenance activities (to be performed every 2000 working hours or at least once a year)
Make the combustion test
Check the conditions of the inlet pipes (if present) and the flue pipes by making sure that no leakage is present
Check the ignition electrode
Clean the combustion chamber and check the conditions of the gaskets you have dismantled during such operation
Clean the condensate discharge pipe
Check the parameters settings
Check if there is any gas leakage
Check if there is any leakage on the hydraulic connections
Check the integrity of the cabling system and its related connections
Make sure the ignition takes place regularly
Make sure that there is the flame after ignition
Check the safety devices down the equipment
Check the system pressure

⚠ Before carrying out any maintenance or cleaning, disconnect the power from the device by turning off the bipolar main switch and closing the main gas valve. In addition, for all maintenance (to be carried out at least once a year, as noted above) always replace all the flue and gas seals, in particular the burner seals.

⚠ After performing maintenance work, check the tightening torques of the nuts/screws/gas connectors on the burner and gas valve; for the torque values, please see the "Torque value" section.

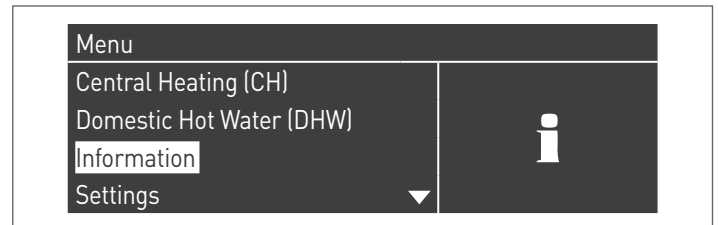
Before performing any operation:

- disconnect the electric power supply by turning the main system switch to "off"
- close the gas shut-off valve.



3.10.1 "Service reminder" function

The module has a function that reminds the user of the need to carry out a scheduled service on the appliance once the number of hours indicated in the maintenance plan has passed. When this maintenance activity is required, the following text appears on the normal display: **"Maintenance required!"** This text will remain active until the technical support service resets the internal meter after maintaining the appliance. The user can check at any time how many hours miss from the next planned maintenance activity by accessing the "Information" menu



and selecting "Maintenance" using the ▲ / ▼ arrows



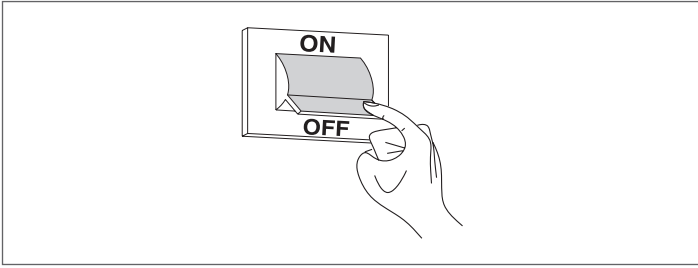
The menu also shows the hours from the last maintenance activity performed and access to a log that lists the dates of the last 15 maintenance activities.



The "Settings" → "Boiler set." → "Maintenance" menu contains the advanced controls for this function, which, in any case, are only available if you access it with the manufacturer password. If it is necessary to use this access level, contact the Technical Assistance Service.

3.11 Cleaning and removing internal components

Before any cleaning operation, disconnect the electric power supply by switching the main system switch to "off".



OUTSIDE

Clean the casing, the control panel, the painted parts and plastic parts with cloths moistened with soap and water. In the case of stubborn stains, moisten the cloth with a 50% water and alcohol mixture or specific products.

⊘ Do not use fuels, sponges impregnated with abrasive solutions or powder detergents.

INSIDE

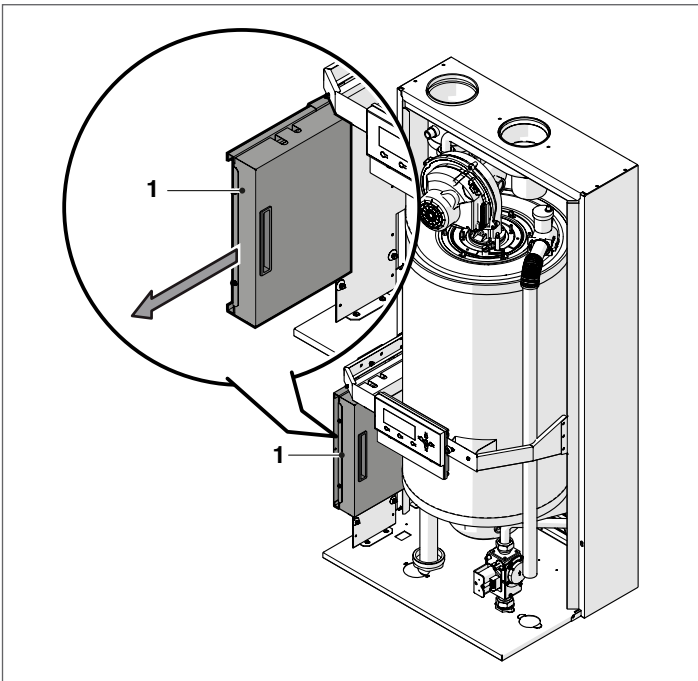
Before starting internal cleaning operations:

- close the gas shut-off valves
- close the system taps.

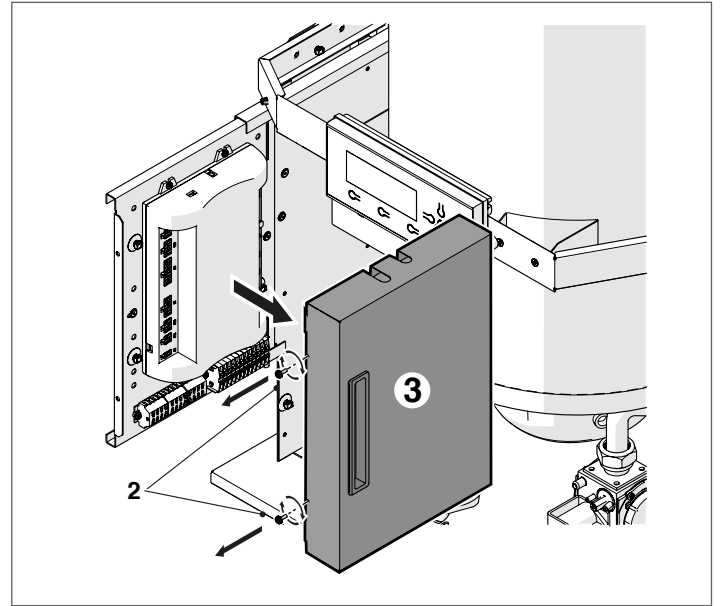
⚠ From time to time, check that the condensate drain is not blocked.

Access to the control panel and internal parts of the module

- Remove the locking screws and the panel's front side
- Pull and slide the electrical panel's box towards the outside (1)



Loosen the fixing screws (2) and remove the protection (3)

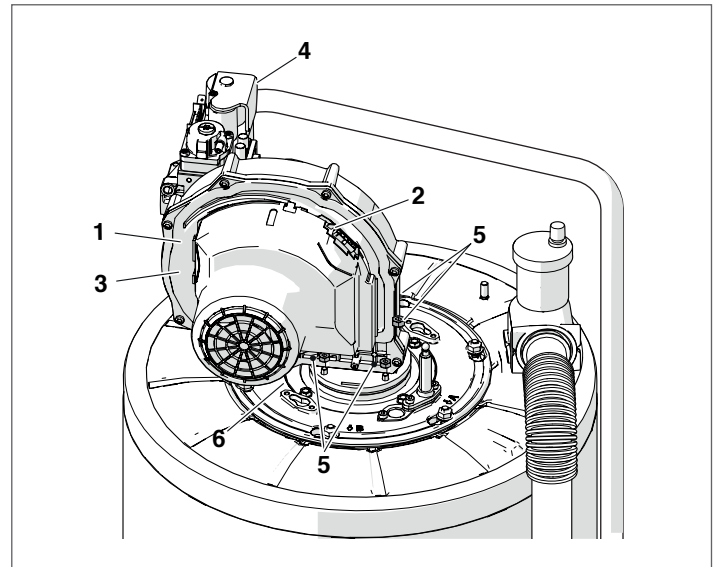


At this point, it will be possible to access terminal boards. Once the maintenance operations are complete, refit the components working in the opposite direction of what was described.

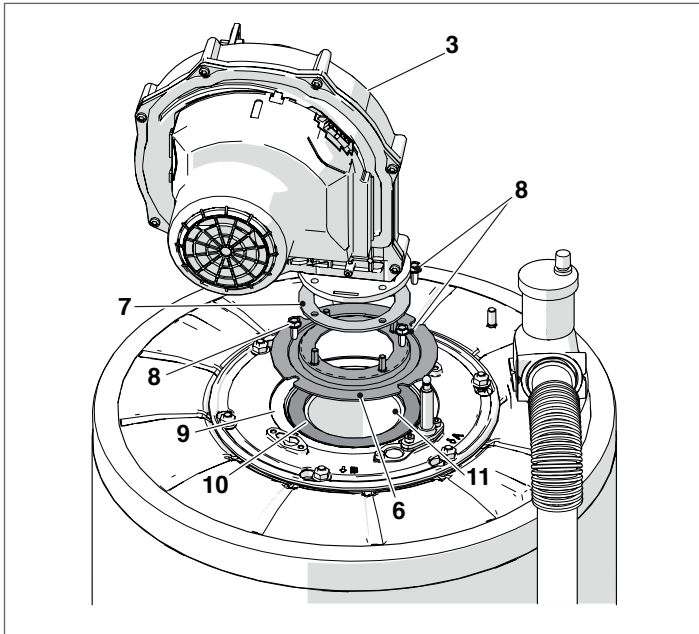
⚠ If the electronic control box is replaced, see the electrical wiring diagram in order to reset the connections.

Disassembling of the fan and burners models Condexa PRO 57 P - Condexa PRO 70 P

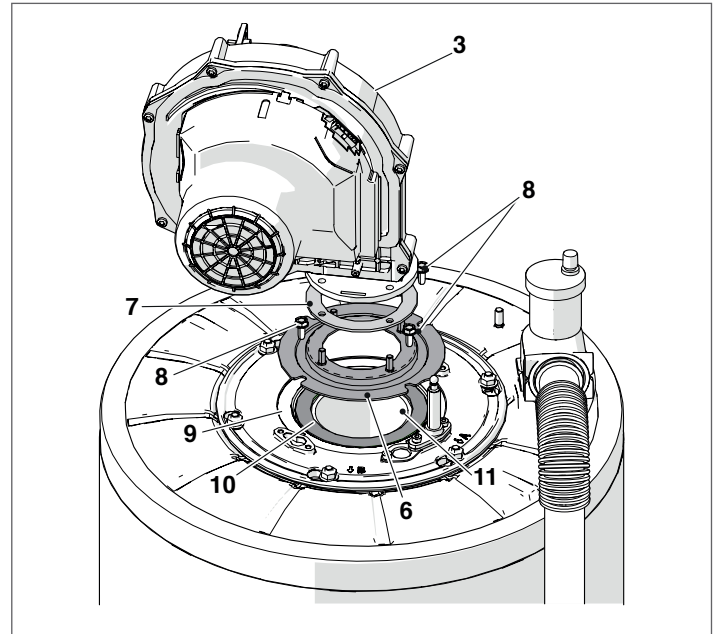
- Remove the locking screws and the panel's front side
- Remove cables (1) and (2) for the fan (3)
- Remove the air tube from the fan if the module is of type B - C
- Unscrew the swivel nut (4) and disconnect the gas pipe
- Use a socket wrench to unscrew the four nuts (5) fixing the fan (3) to the flange (6)



- Take the fan (3) and the gasket (7) out
- Unscrew the 4 screws (8) that fix the flange (6) to the lower flange (9)
- Remove the gasket (10) and the burner (11).



- Take the fan (3) and the gasket (7) out
- Unscrew the 4 screws (8) that fix the flange (6) to the lower flange (9)
- Remove the gasket (10) and the burner (11).

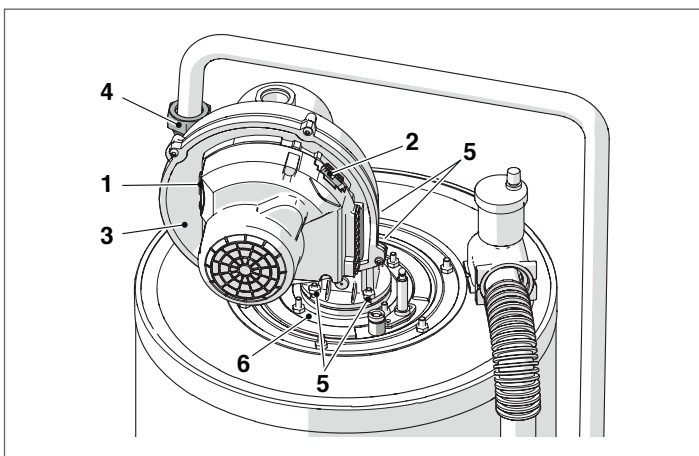


- Replace the gaskets (7-10) with the new ones.
Once the maintenance operations are complete, refit the components working in the opposite direction of what was described; for information on the tightening torques, please see the "Torque value" section.

⚠ Check that the gas connection is leak proof.

Disassembling of the fan and burners models Condexa PRO 90 - Condexa PRO 100 - Condexa PRO 115 - Condexa PRO 135

- Remove the locking screws and the panel's front side
- Remove cables (1) and (2) for the fan (3)
- Remove the air tube from the fan if the module is of type C (type C configuration not standard but obtained with a special accessory)
- Unscrew the swivel nut (4) and disconnect the gas pipe
- Use a socket wrench to unscrew the four nuts (5) fixing the fan (3) to the flange (6)

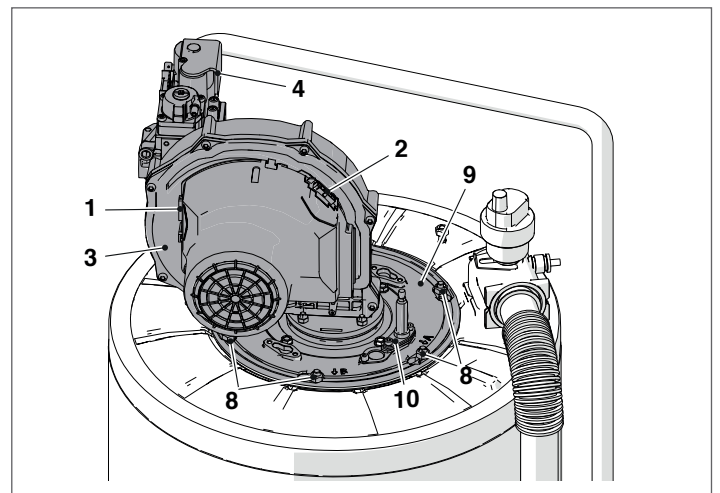


- Replace the gaskets (7-10) with the new ones.
Once the maintenance operations are complete, refit the components working in the opposite direction of what was described; for information on the tightening torques, please see the "Torque value" section.

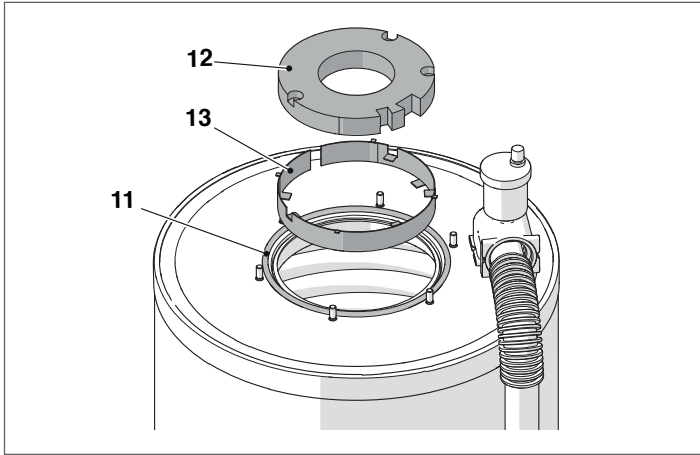
⚠ Check that the gas connection is leak proof.

disassembling of the flange for cleaning up the heatexchanger models Condexa PRO 57 P - Condexa PRO 70 P

- Remove the locking screws and the panel's front side
- Remove cables (1) and (2) for the fan (3)
- Remove the air tube from the fan if the module is of type B - C
- Unscrew the swivel nut (4) and disconnect the gas pipe
- Unscrew the six nuts (8) that secure the burner unit (9) to the heat exchanger with a socket wrench
- Remove the fan and the entire burner body (9)
- Remove the electrode plate (10), check the electrode's condition and replace it if necessary



Remove the seal (11), the insulation mat (12) and the bracket (13).

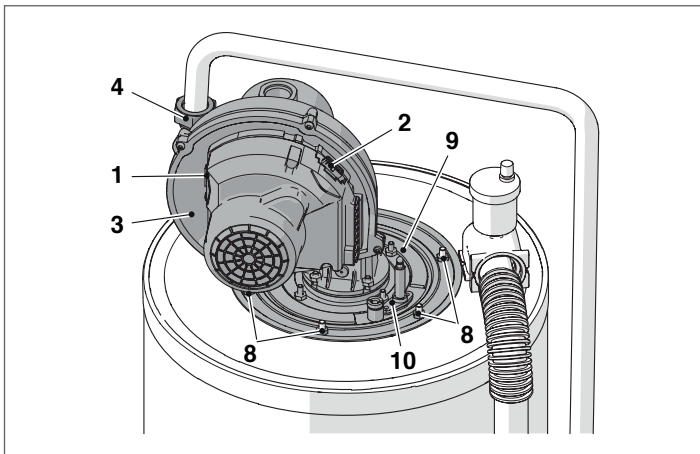


Once the maintenance operations are complete, refit the components working in the opposite direction of what was described; for information on the tightening torques, please see the "Torque value" section.

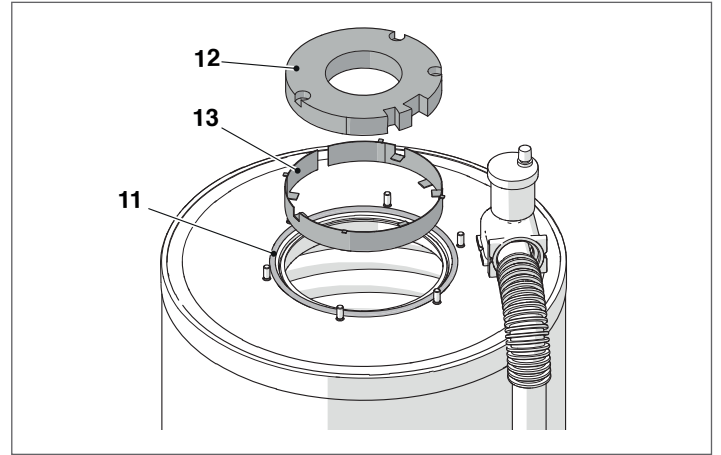
⚠ Check that the gas connection is leak proof.

Disassembling the flange for cleaning the exchanger models Condexa PRO 90 – Condexa PRO 100 – Condexa PRO 115 – Condexa PRO 135

- Remove the locking screws and the panel's front side
- Remove cables (1) and (2) for the fan (3)
- Remove the air tube from the fan if the module is of type C (type C configuration not standard but obtained with a special accessory)
- Unscrew the swivel nut (4) and disconnect the gas pipe
- Unscrew the six nuts (8) that secure the burner unit (9) to the heat exchanger with a socket wrench
- Remove the fan and the entire burner body (9)
- Remove the electrode plate (10), check the electrode's condition and replace it if necessary



Remove the seal (11), the insulation mat (12) and the bracket (13).



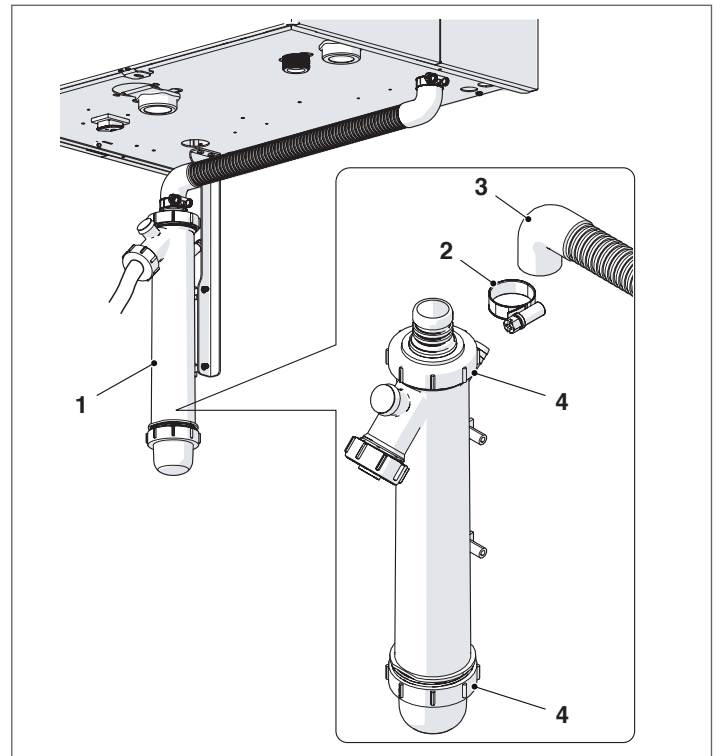
Once the maintenance operations are complete, refit the components working in the opposite direction of what was described; for information on the tightening torques, please see the "Torque value" section.

⚠ Check that the gas connection is leak proof.

3.11.1 Condensate drain siphon cleaning

For models Condexa PRO 57 P, Condexa PRO 70 P, Condexa PRO 90, Condexa PRO 100, Condexa PRO 115, Condexa PRO 135 (accessory):

- Locate the condensate drain trap (1), mounted under the appliance.
- Loosen the clamp (2), detach the condensate drainage corrugated tube (3), remove the siphon and remove it using the two screw plugs (4)
- Remove the float and clean all internal components.

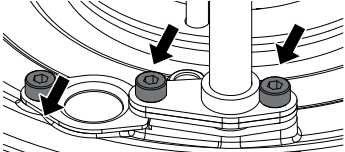
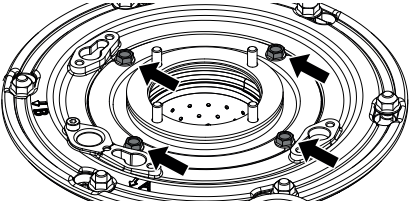
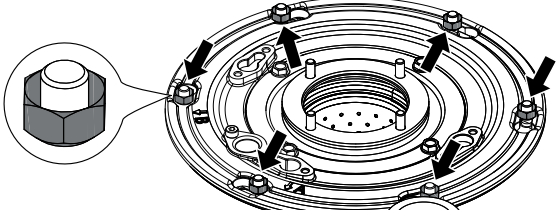
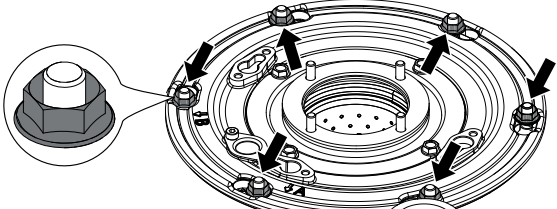
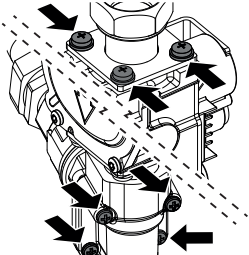
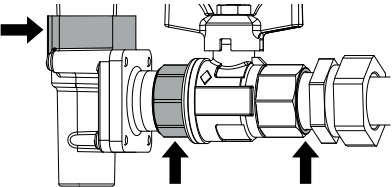
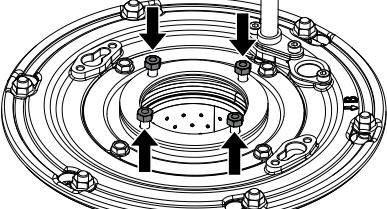
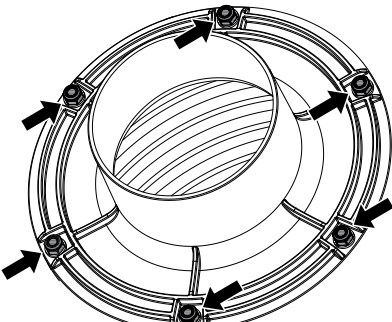


Once the maintenance operations are complete, refit the components working in the opposite direction of what was described.

⚠ Fill the siphon with water before you start up the boiler to prevent combustion gases escaping into the room during the first few minutes of boiler functioning.

3.12 Torque value

The tightening torques and torque values expressed in Nm are shown below.

Torque value	Nm	Figure
Ignition electrode and inspection glass	2,5	
Fan flange	5	
Burner flange (nut)	5	
Burner flange (flanged nut)	6	
Gas valve flange screw and shutter screws	3	
Threaded gas connections	Connections are secured with sealant and tightened to obtain the appropriate geometry using a standard wrench.	
Fan flange - fan installation	5	
Flue flange nut	5	

3.13 Troubleshooting

FAULT	CAUSE	SOLUTION
There is a smell of gas	Gas supply circuit	- Check the seal of the gaskets and the closure of the pressure tapping points
Odour of unburnt gas	Flue gas circuit	- Check the gasket seals - Make sure there are no obstructions - Check the combustion quality
Irregular combustion	Burner gas pressure	- Check the setting
	Diaphragm installed	- Check the diameter
	Clean the burner and exchanger	- Check the conditions
	Exchanger passages obstructed	- Check passage cleaning
	Faulty fan	- Check operation
Ignition delays with pulsations to the burner	Burner gas pressure	- Check the setting
	Ignition electrode	- Check the positioning and conditions
The modular system becomes dirty very quickly	Combustion	- Check the combustion controls
The burner does not start upon consent of the modular system control	Gas valve	- Check for the presence of 230Vac voltage on the gas valve terminals, check wiring and connections
The modular system does not start	No electric power supply (no message on the display)	- Check the electric connections - Check the condition of the fuse
The modular system does not arrive at temperature	Boiler dirty	- Clean the combustion chamber
	Burner capacity insufficient	- Check and adjust the burner
	Modular system adjustment	- Check correct functioning - Check the temperature setting
The generator triggers a thermal safety block	No water	- Check correct functioning - Check the temperature setting - Check the electrical wiring - Check the position of the sensor bulbs
	Modular system adjustment	- Check the bleed valve - Check the heating circuit pressure
The generator is at temperature but the heating system is cold	Presence of air in the system	- Bleed the system
	Pump malfunctioning	- Check/unseize the pump - Replace the circulator - Check the electrical connection of the circulator
The circulator does not start	Pump malfunctioning	- Check/unseize the pump - Replace the circulator - Check the electrical connection of the circulator
Frequent tripping of the system safety valve	System safety valve	- Check calibration or efficiency
	Incorrect circuit pressure	- Check the circuit pressure - Check pressure reducer functioning
	CH expansion vessel	- Check the efficiency of the expansion vessel

4 MANAGING ADDITIONAL ZONE


4.1 Controlling zone with additional zone accessory

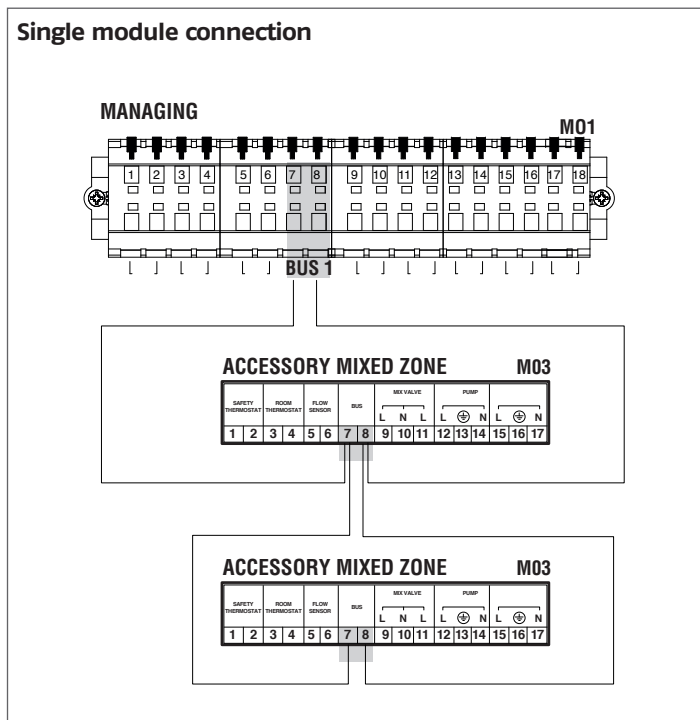
In case of use on a single-module system or cascade systems, where the number of heating zones to be checked exceeds the number of DEPENDENT modules, the installation of the accessory module Additional zone is required.

After connecting the Zone module as indicated below, wait for the module to be detected.

At the end of the detection, the following new functions will be available:

- in the "Information" menu "Ext. Zone Status." will be displayed, from where it is possible to display information regarding the selected zone;
- in the "Settings" menu two new lines will be displayed:
 - "Zone Config."
 - "Zone Clim. Curve"

 See the additional Zone accessory booklet for further details.



The electronic control of the module will automatically check which zones are connected to the bus.

The menu items of the zone in the electronic control of the module will be available when 1 or more zone management devices are detected.

The electronic control of the module remembers the zone number detected when a device is connected.

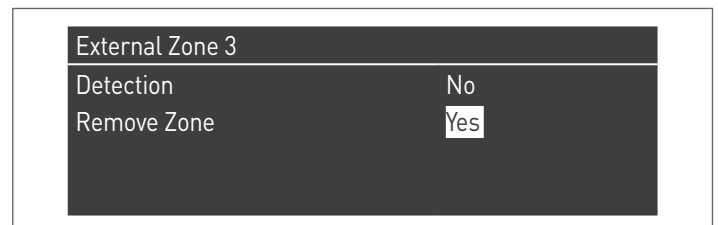
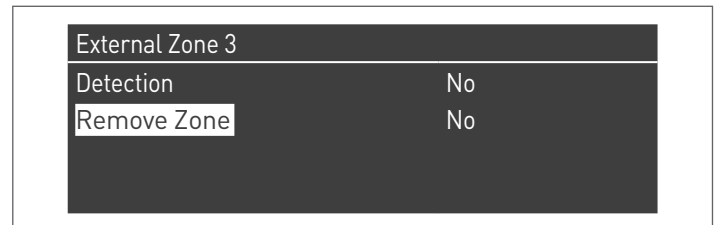
The zone number detected is not automatically removed when the corresponding accessory is no longer connected.

The zone number needs to be removed manually.

Removing the zone number

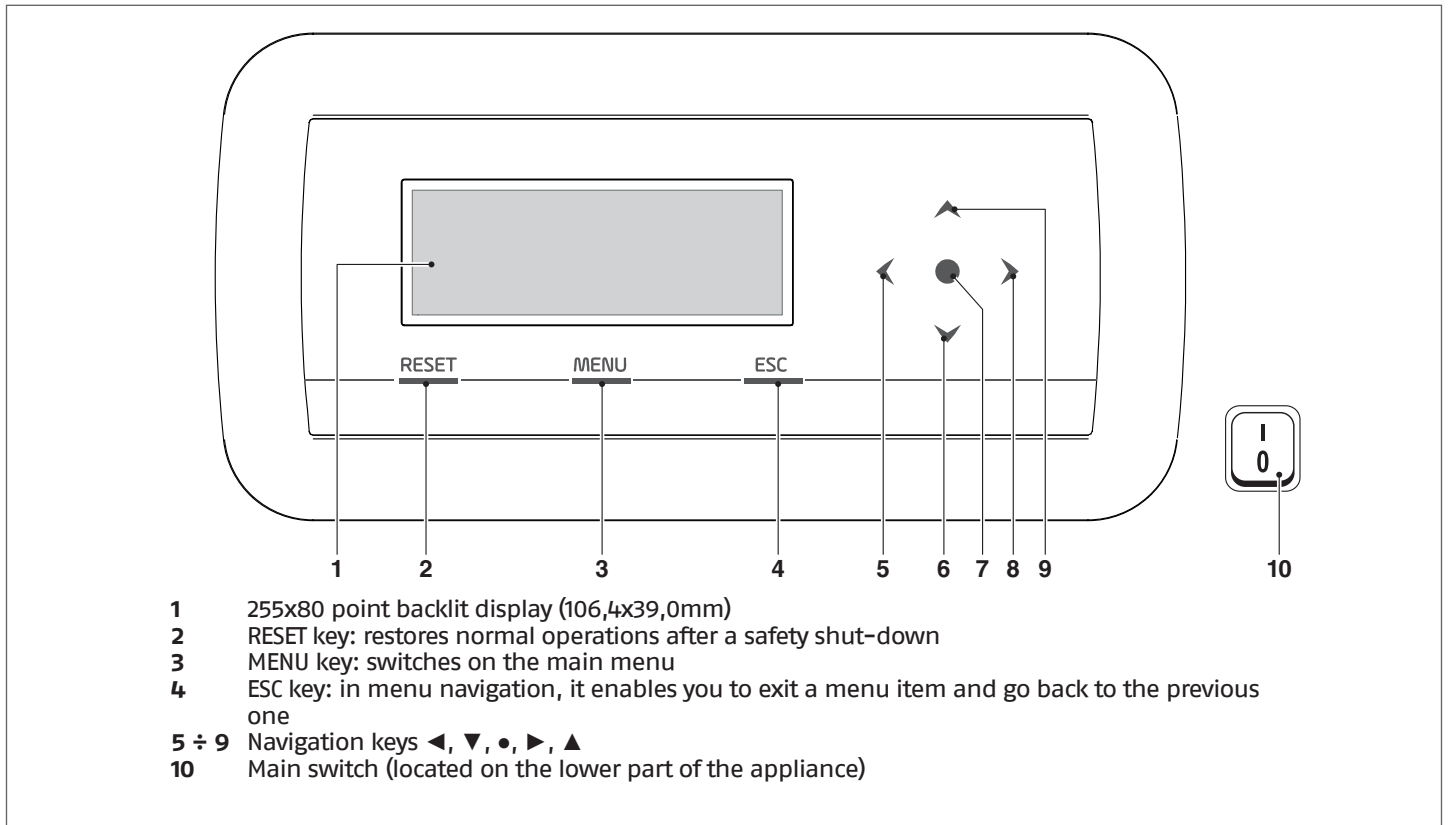
- remove the bus connection of the zone to be deleted;
- access the Settings/Zone Config./Zone;
- select the disconnected zone;
- go to Remove Zone;
- press the ► key to highlight the values, change them to "Yes" with the ▲ / ▼ keys, press the ● key to confirm and remove the zone from the display menus.

Example:



4.2 Setting parameters of the additional zone

Controls interface



4.3 Setting zone parameters (accessible only with installer password)

Menu → "Settings" → "Zone Config."

This menu allows you to separately set the parameters of all the connected zones with the exception of the "Extra setpoint zone" which is the same for all zones.

To select the zone for controlling/changing the parameters, proceed as follows:

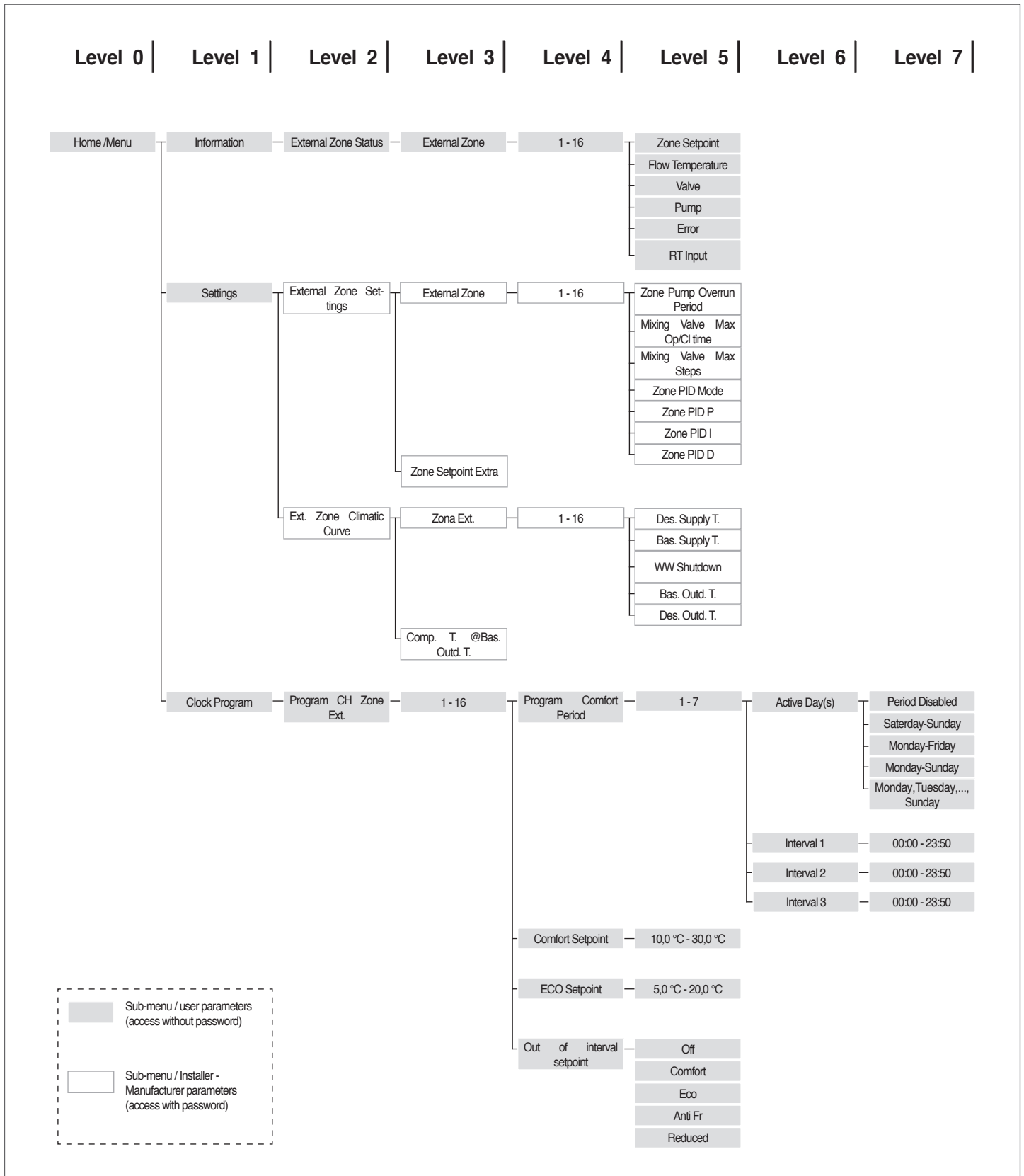
- press the ▶ key so that the number to the right of "zone" is highlighted;
- once the number is highlighted use the ▲ and ▼ keys to change the number of the zone;
- once the zone is selected, confirm with the ● key.

The zone parameters are the following:

Description	Standard value that is set	Range	Explanation	UM
Post-circ. Zone Pump	120	0-255	Establishes the time in seconds of the post-circulation	Secs
Mix Valve Max Op/Cl Time	25	0-255	Fixes the time in second of the total opening/closing of the mix valve (valid for three point mix valve)	Secs
Mix Valve Max steps	700	0-65535	Fixes the number of steps for the total opening of the mix valve (valid for step-by-step mix valve)	
PID zone mode	Symmetrical	Symmetrical/Asymmetrical	Fixes the PID control mode	
PID P Zone	10	0-255	Proportional parameter for the valve control	
PID I Zone	150	0-255	integrative parameter for the valve control	
PID D Zone	0	0-255	Derivative parameter for the valve control	
Extra zone setpoint	10	0-30	Establishes the increase for the primary setpoint with respect to the zone setpoint	°C

 For more information on navigating the commands interface (module display), see paragraph "Electronic control".

4.3.1 Menu structure

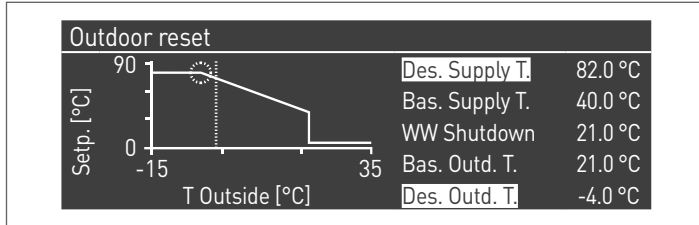


4.4 Setting zone's climatic curve parameters (accessible only with installer password)

Menu → "Settings" → "Zone Clim. Curve"

- press the ► key so that the number is highlighted on the right of the word "Zone";
- use the ▲ and ▼ keys to change the zone number;
- press the ● key.

The following is displayed:

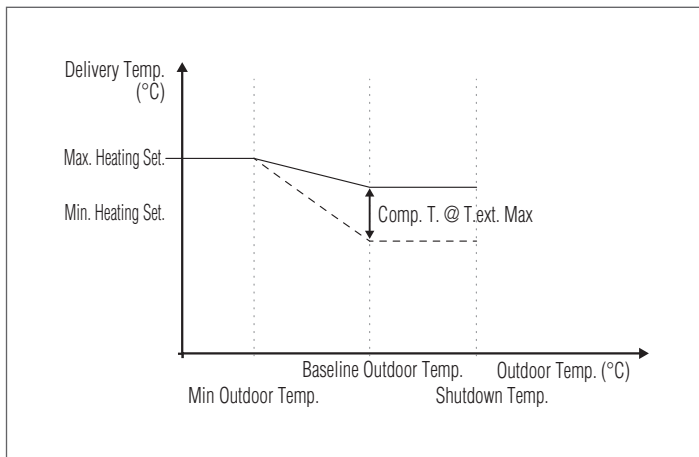


The "Comp. T. @ T.ext. Max" parameter, if other than 0, transforms the climatic curve from linear to quadratic allowing you to best adapt the variation of the setpoint to the variation of the outdoor temperature.

The resulting quadratic climatic curve will have three parameters:

- Heat. Set. Max
- Baseline Outdoor Temp.
- Text. Min

of the basic linear climatic curve and a value of the Heat. Set. Min. diminished by the value of the parameter "Comp. T. @ T.ext. Max", as can be seen in the example in the figure.



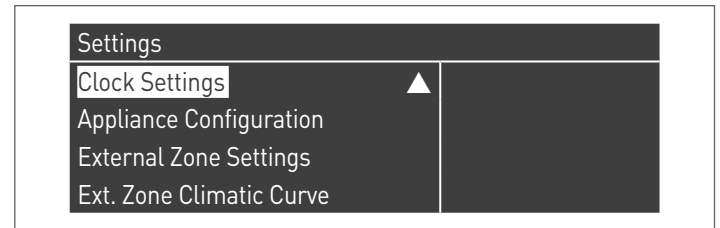
4.5 Programming the zone

By default the schedule timer is disabled.

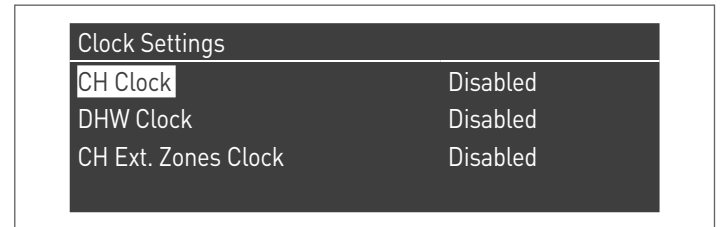
To start a request from the zone, simply close the contact of the zone request. In this case the module (or the cascade of modules) will start with a setpoint equal to the value calculated on the zone climatic curve increased by the "Zone Extra Setpoint" value and the mix valve will modulate to maintain the delivery temperature of the zone at the calculated setpoint.

To activate zone programming:

Menu → "Settings" → "Clock Settings"



Confirming with ● the following screen is displayed:



- with the ▲ / ▼ keys select "CH Zones clock"
- with the ► key move to "Disabled", change it to "Enabled" with the ▲ / ▼ keys
- confirm with the ● key

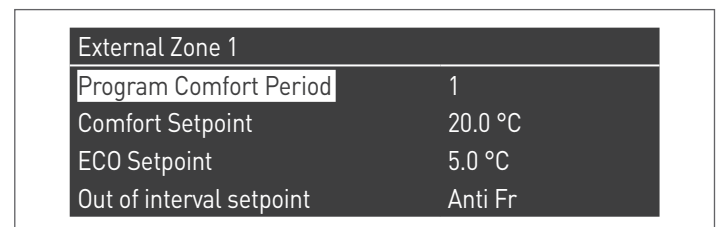
Go to:

Menu → "Clock program"

Confirming with the ● key:



At this point select the number of the zone to be programmed and confirm with the ● key.



The programmable periods for each zone are 7 and they can be selected by changing the number that appears beside "Program Comfort period".

The "Comfort Setpoint" is the setpoint that is set for the area served by the zone in the active time band established within the period and can be set between ten and forty degrees.

Setting the "Comfort Setpoint" at a default of 20°C, the climatic curve that regulates the setpoint of the zone is exactly that which was set in paragraph Setting zone's climatic curve parameters (accessible only with installer password) on page 80.


By changing the "Comfort Setpoint" the climatic curve is moved upwards or downwards depending on whether the setpoint is higher or lower than 20°C. The curve will shift by two degrees for each degree of difference between the value of the setpoint and the value 20.

The "ECO Setpoint" is a setpoint that can be set between 5 and 20 degrees and can be selected as a setpoint for the area served by the zone outside the active time band.

The "Out of the interval Setpoint" defines how the zone outside the active time bands are managed (within which the setpoint of the area is always set on "comfort").

The selections for the "Out of the interval Setpoint" are the following:

- **Eco:** the ambient setpoint is set to ECO. The zone setpoint is changed by two degrees less for each degree of difference between the ECO setpoint and the value 20 (for example, if at 20° I have a setpoint of 50, at 18 degrees I have a setpoint of $50+2*(18-20)=46$).
- **Night-time:** the zone setpoint is lowered by 10 degrees with respect to the value of the zone setpoint set for a $T_{comfort} = 20^\circ$.
- **Antifreeze:** the ambient setpoint is set at 5°C, thereby obtaining a reduction with respect to the comfort setpoint of 30 degrees.
- **Off:** in this case the delivery of heat is interrupted.
- **Comfort:** the setpoint remains the same as that for the active time bands. This choice clearly makes no sense when scheduling is desired, but it can be useful if you want to provide heat continuously without changing the programming itself.

 So that the zone programming works the "heat request" contact should be closed. Otherwise the zone will ignore any request from the schedule timer.

4.6 Scheduling the time bands

By going to:
Menu → "Clock program" → "Zones CH Program "

External Zone 1	
Program Comfort Period	1
Comfort Setpoint	20.0 °C
ECO Setpoint	5.0 °C
Out of interval setpoint	Anti Fr

Entering in "Program Comfort Period":

External Zone 1 - Period 1		
Active Day(s)	Monday-Sunday	
Interval 1	07:10	11:00
Interval 2	00:00	00:00
Interval 3	00:00	00:00

Using the option "Active Day(s)" it is possible to select the scheduling period. You can select a day of the week or else one of these three groups of days:

- Mon-Sun
- Mon-Fri
- Sat-Sun

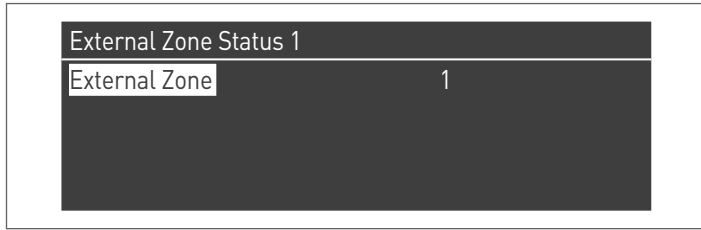
This facilitates weekly scheduling or else scheduling that is different during the work week and the week-end.

There are three active time bands for each period. The time resolution is 10 minutes.

4.7 Information on the operation of the zone

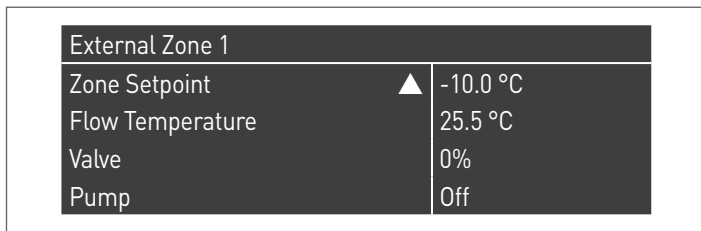
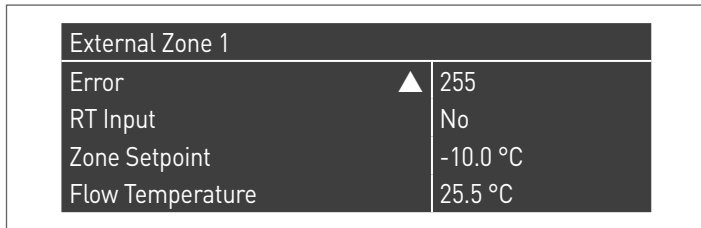
By going to:

Menu → "Information" → "Zone Status"



To choose the zone whose information will be displayed, proceed in the same way as in the previous paragraph.

Once the ● key is selected the following display appears:



The information displayed is the following:

Error code	Description
Err	Indicates the error code of the board (255 = no error)
Input Heat	Indicates whether there is a request (namely, if the contact for the heat request is open (NO, no request) or closed (Yes, request present))
Zone set-point	Indicates the zone setpoint
Delivery temperature	Indicates the temperature measured by the zone probe
Valve	Indicates the opening percentage of the valve (100% = fully open)
Pump	Indicates if the pump is stopped (off) or active (on)

Zone board errors table:

Error code	Description	Solution
22	Zone probe disconnected	Check probe
23	Zone probe short-circuit	Check probe
24	Overtemperature detected (opening of safety thermostat)	Check parameters Check operation of mixer

5 SYSTEM MANAGER

5.1 Putting into service

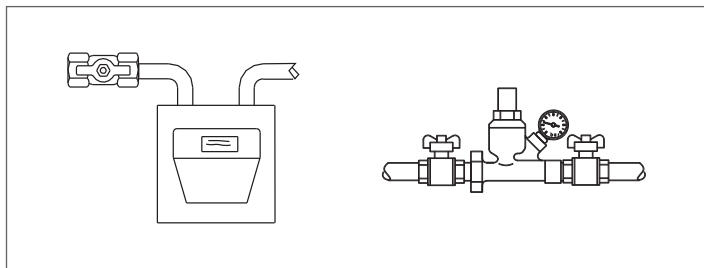
- ⚠** The appliance must be maintained and adjusted at least once a year by Technical Assistance Service or by professionally qualified staff in compliance with all applicable National and Local provisions.
- ⚠** Incorrect maintenance or adjustment may damage the appliance and cause damage to people or create a hazard.
- ⚠** The system manager is forbidden from opening and removing the appliance's casing. These activities must be carried out only by Technical Assistance Service or by professionally qualified personnel.

The first commissioning of the **RIELLO Condexa PRO** module must be carried out by **RIELLO** Technical Assistance Service after which the appliance can operate automatically.

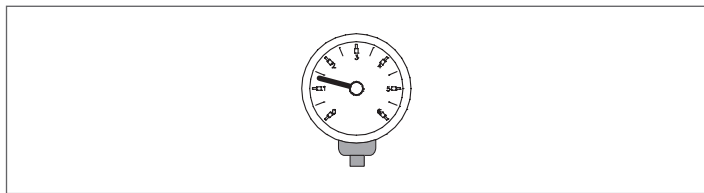
However, the system manager may be required to restart the appliance independently, without involving Technical Assistance Service; for example after a long period of absence.

To do so, perform the following checks and operations:

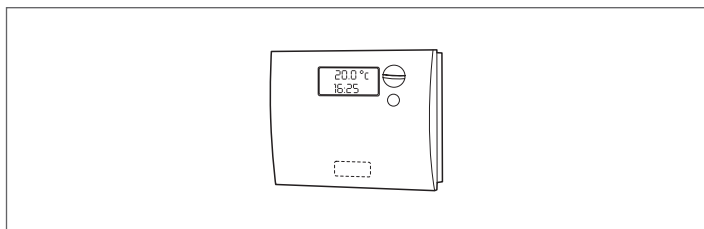
- Check that the gas cock and heating water cock are open



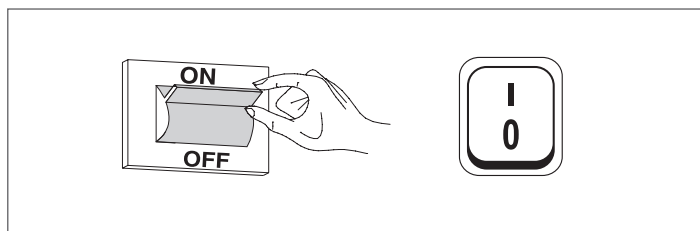
- While the system is still cold, check that working pressure in the central heating circuit is over 1 bar but below the maximum limit specified for the boiler



- Adjust the room thermostats for the high and low temperature zones to the required temperature (~20°C) or, if the systems are equipped with timer thermostats or a time programming unit, make sure it is on and adjusted (~20°C)



- Set the system's power switch to ON and the module's main switch to (I).



The appliance will go through the switch-on stage and, after starting, it will continue to operate until set temperatures are achieved.

The burner will then switch off and on automatically to maintain the set temperature without further operator action.

In the event of ignition or operation faults, the display will show a numeric error code that will enable the user to interpret the possible cause as detailed in Paragraph "Error List".

- ⚠** In the event of a Permanent error, to reset the start-up conditions, press the "RESET" key and wait for the module to start up again.

Repeat this operation 2-3 times at the most. If the problem persists after that, call **RIELLO's** Technical Assistance Service.

5.2 Temporary or short-term shut-down

In the event of temporary or short-term shut-down (e.g. due to holidays), proceed as follows:

- Press the MENU key and select with keys ▲ / ▼ "Time schedule", confirm with key ●.
- Select with keys ▲ / ▼ "Holiday Schedule" and confirm with key ●.

Clock Program
Program Group
Burn hours till service
Reset Service Reminder
Holiday Settings

- Select with keys ▲ / ▼ "Mode" and confirm with key ●. Select "System" mode and confirm.

Holiday Settings	
Mode	System
Holiday Setpoint	Comfort
Begin Date	Saturday 01-08-2015
End Date	Saturday 01-08-2015

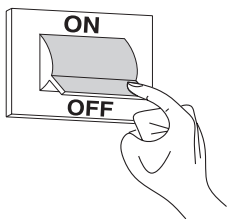
- Select with keys ▲ / ▼ "Holiday Setpoint" and confirm with key ●.
- Select "Antifreeze" holiday setpoint and confirm.

Holiday Settings	
Mode	System
Holiday Setpoint	Anti Fr
Begin Date	Saturday 01-08-2015
End Date	Saturday 01-08-2015

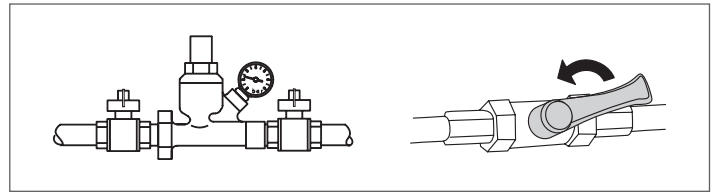
5.3 Preparing for extended periods of disuse

The following operations shall be necessary if the module is not used for a long period of time:

- set the modules' main switch and the system's main switch to "off"



- Close the fuel and water valves for the heating and domestic hot water system.



- ⚠ Empty the thermal and sanitary system if there is a danger of frost.

5.4 Cleaning

Use a cloth damped in soapy water to clean the boiler's external casing.

To remove stubborn marks, use a cloth damped in a 50% mix of water and denatured alcohol or a suitable cleaning product. Carefully dry after cleaning.

- ⊘ Do not use abrasive cleaning pads or powder detergents.

- ⊘ Never clean the boiler without first disconnecting it from the mains electricity supply by turning the mains power switch and the control panel switch OFF.

- ⚠ The combustion chamber and flue pipes must be cleaned periodically by the manufacturer's Technical Assistance Service or by a qualified heating engineer.

5.5 Maintenance

Please remember that THE PERSON RESPONSIBLE FOR SYSTEM MANAGEMENT MUST ENSURE THAT PROFESSIONALLY QUALIFIED HEATING ENGINEERS UNDERTAKE PERIODIC MAINTENANCE AND COMBUSTION EFFICIENCY MEASUREMENTS.

RIELLO's Technical Assistance Service is qualified to satisfy these legal requirements and can also provide useful information on MAINTENANCE PROGRAMMES designed to guarantee:

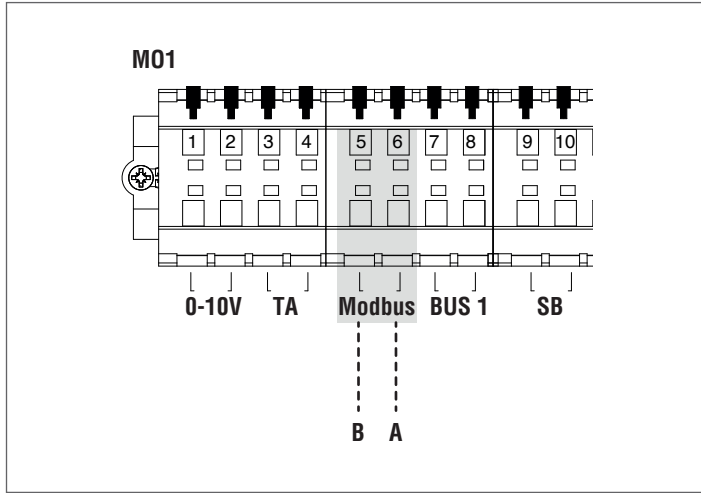
- Greater safety
- Compliance with applicable legislation
- Freedom from the risk of fines in the event of spot checks.

Regular maintenance is essential for the safety, efficiency and durability of the boiler.

Servicing is a legal requirement and must be performed at least once a year by a professionally qualified heating engineer.

6 MODBUS CONNECTION

The module has a Modbus connection (based on the RS485 communication standard) that allows the module to be remotely controlled and adjusted. The Modbus connection is available in the low-voltage terminal board.

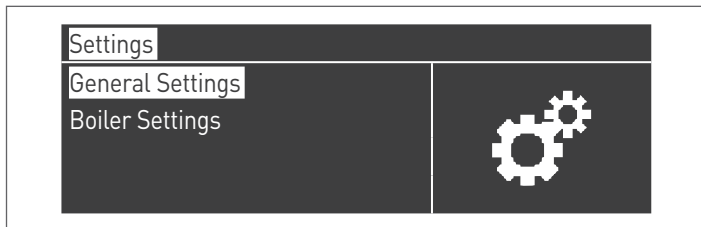


Configuration

The following table shows the connection details.

Protocol	Modbus RTU
Slave address	Adjustable from the display. Default: 1
Supported Modbus controls	Read Holding registers (03) Write single holding register (06) Write multiple holding registers (10)
Baud rate	9600 bps.
Length	8
Parity	No
Stop Bits	1 or 2 (adjustable from PB or PC software)
Connection	RS485 (2 wires + optional earthing)

As shown in the table above, the module address (understood as the slave device address within the Modbus system) and the number of "Stop Bits" are two values that can be changed. To modify one or the other, from the home screen, access the "Settings" menu, select "General settings" and confirm.



Access the "Other settings" menu and select "Modbus Address"



Registers

Depending on the type of Modbus device used to connect to the module, log addressing may start at 0x0000 or 0x0001. If addressing starts from 0x0000, the numbers of the registers listed in the table below may be used directly for reading/writing operations; if addressing starts from 0x0001, the numbers of registers shown in the table, plus one, must be used for reading/writing operations.

Control register

The control register is used for special functions. The first one is that of enabling writing on registers. All accessible registers, including write ones, must be first enabled to receive data. To prevent undesired entries, it is possible to change the value in a register only during the first four seconds after the status change of the 0 bit in the control register. Therefore, before changing the value of a register, it is necessary to change the status of 0 bit of the control register (register No. 99), sending the string 1 to it.

The control register also supports the remote resetting of the board, by changing the status of the 14 bit. Therefore, by sending the value 16384 to register No. 99, it is possible to reset the board.

! By sending a value other than 1 and from 16384 to register No. 99, the latter will return to the write-protected status (bit 0=0).

The table that summarises the control register's operation is provided below:

Register number	Access	Access		Description	Value range
		L	S		
99	0063	X	X	Control register	Bit 0: enables writing Bit 14: controller reset

Measurement unit selection register

Register 98 is used to change the format of the data stored in registers (those containing temperature or pressure values). Before changing the value of the selection register, it is necessary to enable it for writing by forwarding the enabling command to the 99 control register.

The table for measurement unit selection register is the following:

Register number	Access	Access		Description	Value range
		L	S		
98	0062	X	X	Measurement unit selection register	Bit 0: °C/°F Bit 1: bar/psi

Types of data

Type of data	Unit
Temperature	°C/°F
Voltage	Volt
Pressure	bar/psi
Ionisation current	µA
Percentage	%
Connection	RS485 (2 wires + optional earthing)

Status parameters

Register number	Access		Description	Automatic conversion	Value range
	L	S			
100	X		State		See "State" table
101	X		Status		Same "State" value
102	X		Error code (*)		See "Error" tables
110	X		Heating pump		0=off; 1=on
111	X		DHW pump		0=off; 1=on
112	X		Module pump		0=off; 1=on
(*) 255= no error					

Temperatures/Information

Register number	Access		Description	Automatic conversion	Value range
	L	S			
120	X		Delivery temperature	Yes	Depends on °C/°F units
121	X		Return temperature	Yes	Depends on °C/°F units
122	X		DHW temperature	Yes	Depends on °C/°F units
123	X		Flue gas temperature	Yes	Depends on °C/°F units
124	X		System temperatures (where available)	Yes	Depends on °C/°F units
125	X		Outdoor temperature (where available)	Yes	Depends on °C/°F units
140	X		Power	Yes	0..100%
142	X		Ionisation current	Yes	0..x µA

Dependent information

Register number	Access		Description	Automatic conversion	Value range
	L	S			
Dependent 01					
300	X		State		See "State" table
302	X		Error code		See "Error" tables
303	X		Power	Yes	0..100%
Dependent 02					
306	X		State		See "State" table
308	X		Error code		See "Error" tables
309	X		Power	Yes	0..100%
Dependent 03					
312	X		State		See "State" table
314	X		Error code		See "Error" tables
315	X		Power	Yes	0..100%
Dependent 04					
318	X		State		See "State" table
320	X		Error code		See "Error" tables
321	X		Power	Yes	0..100%
Dependent 05					
324	X		State		See "State" table
326	X		Error code		See "Error" tables
327	X		Power	Yes	0..100%
Dependent 06					
330	X		State		See "State" table
332	X		Error code		See "Error" tables
333	X		Power	Yes	0..100%
Dependent 07					
336	X		State		See "State" table
338	X		Error code		See "Error" tables
339	X		Power	Yes	0..100%
Dependent 08					
342	X		State		See "State" table
344	X		Error code		See "Error" tables
345	X		Power	Yes	0..100%

Register number	Access		Description	Automatic conversion	Value range
	L	S			
Dependent 09					
348	X		State		See "State" table
350	X		Error code		See "Error" tables
351	X		Power	Yes	0..100%
Dependent 10					
354	X		State		See "State" table
356	X		Error code		See "Error" tables
357	X		Power	Yes	0..100%
Dependent 11					
360	X		State		See "State" table
362	X		Error code		See "Error" tables
363	X		Power	Yes	0..100%
Dependent 12					
366	X		State		See "State" table
368	X		Error code		See "Error" tables
369	X		Power	Yes	0..100%
Dependent 13					
372	X		State		See "State" table
374	X		Error code		See "Error" tables
375	X		Power	Yes	0..100%
Dependent 14					
378	X		State		See "State" table
380	X		Error code		See "Error" tables
381	X		Power	Yes	0..100%
Dependent 15					
384	X		State		See "State" table
386	X		Error code		See "Error" tables
387	X		Power	Yes	0..100%

Parameters registers

Register number	Access		Description	Note	Automatic conversion	Value range
	L	S				
500	X	X	Heating mode (Par. 1)	NV		0..x
501	X	X	DHW mode (Par. 35)	NV		0..x
502	X	X	Heating set-point (Par. 3)	V	Yes	Depends on °C/°F units
503	X	X	DHW set-point (Par. 48)	V	Yes	Depends on °C/°F units
504	X	X	Set-point at min. climatic T (Par. 19)	NV	Yes	Depends on °C/°F units
505	X	X	Set-point at max. climatic T (Par. 21)	NV	Yes	Depends on °C/°F units
506	X	X	Out. temperature for climatic minimum (Par. 22)	NV	Yes	Depends on °C/°F units
507	X	X	Out. temperature for climatic maximum (Par. 20)	NV	Yes	Depends on °C/°F units
508	X	X	Climatic shut-off (Par. 25)	NV	Yes	Depends on °C/°F units
509	X	X	Maximum value that can be assigned to the heating set-point (Par. 24)	NV	Yes	Depends on °C/°F units

Register number	Access		Description	Note	Automatic conversion	Value range
	L	S				
510	X	X	Minimum value that can be assigned to the heating set-point (Par. 23)	NV	Yes	Depends on °C/°F units
511	X	X	Night-time attenuation (Par. 28)	NV	Yes	Depends on °C/°F units

In the "Note" column, the registers marked with "V" can be written on an ongoing basis (and be used for dynamic size control). Registers marked with "NV", on the other hand, can be overwritten only for a limited number of times (around 10,000 times with an average of twice a day).

Service reminder

Register number	Access		Description	Automatic conversion	Value range
	L	S			
1500	X		Hours elapsed from the last maintenance activity		0...65534 hours
1501	X		Hours from the next maintenance activity		.. 0...main-tenance intervals
1504	X		Counter delay index		0...14
1505	X		Delay counter 0		0...65534 hours
1506	X		Delay counter 1		0...65534 hours
1507	X		Delay counter 2		0...65534 hours

Register number	Access		Description	Automatic conversion	Value range
	L	S			
1508÷1518	X		Delay counter 3÷13		0...65534 hours
1519	X		Delay counter 14		0...65534 hours
1540	X	X	Service reminder reset		0...1 (1=reset)
1541	X	X	Setting the hour counting mode for logs 33000-33001		0= burner ON hours counted 1= boiler ON hours counted
1542	X	X	Maintenance interval hours		0..25500 hours (in steps of 100)

Note: If a counter shows the value 65535, this means that either it is inactive or has exceeded the limit value.

History


Register number	Access		Description	Automatic conversion	Value range
	L	S			
200	X		No. of successful ignitions		0...65534
201	X		No. of failed ignitions		0...65534
202	X		No. of flame losses		0...65534
203	X		Hours CH demand		0...65534 hours
204	X		Hours DHW demand		0...65534 hours
220÷235	X		Non-volatile error sequence		See "Error" tables
236÷251	X		Hours since last non-volatile error		0...65534 hours
260÷275	X		Volatile error sequence		See "Error" tables
276÷291	X	X	Hours since last volatile error		0...65534 hours

STATE

Nr.	Description
0	Initialisation
1	Reset
2	Standby
3	Pre-wash
4	Pre-wash
5	Pre-ignition
6	Pre-ignition
7	Flame detection test
8	Burner ON
9	Burner ON
10	Post-purging
11	Post-purging
12	Volatile lockout error
13	Non-volatile lockout error

7 RECYCLING AND DISPOSAL

The appliance is manufactured using various materials, such as metal, plastics, and electric and electronic components. At the end of the life cycle, safely remove the components and dispose of them in a responsible manner, in compliance with the installation country's applicable environmental legislation.

 Adequate sorted waste collection, processing and environmentally-friendly disposal contribute to preventing possible negative impacts on the environment and health and promote the reuse and/or recycling of the materials of which the appliance consists.

 Illegal disposal of the product by the owner shall be subject to administrative fines provided for by applicable laws.

RIELLO

RIELLO S.p.A.
Via Ing. Pilade Riello, 7
37045 - Legnago (VR)
www.riello.com

The manufacturer strives to continuously improve all products. Appearance, dimensions, technical specifications, standard equipment and accessories are therefore liable to modification without notice.