

STEEL PRO POWER



Floor-standing gas condensing units for indoor use

STEEL PRO POWER THE NEW MODULAR SYSTEM

STEEL PRO POWER is the new modular floor-standing gas condensing system, conceived and developed with the aim of maximizing **flexibility and simplicity of installation**, ensuring the continuity of service typical of modular systems.

With **STEEL PRO POWER** a wide range of products is offered, as this can be installed either in single configuration (from 114 up to 540 kW) or in cascade (from 655 up to 1310 kW) with the use of specific accessories.

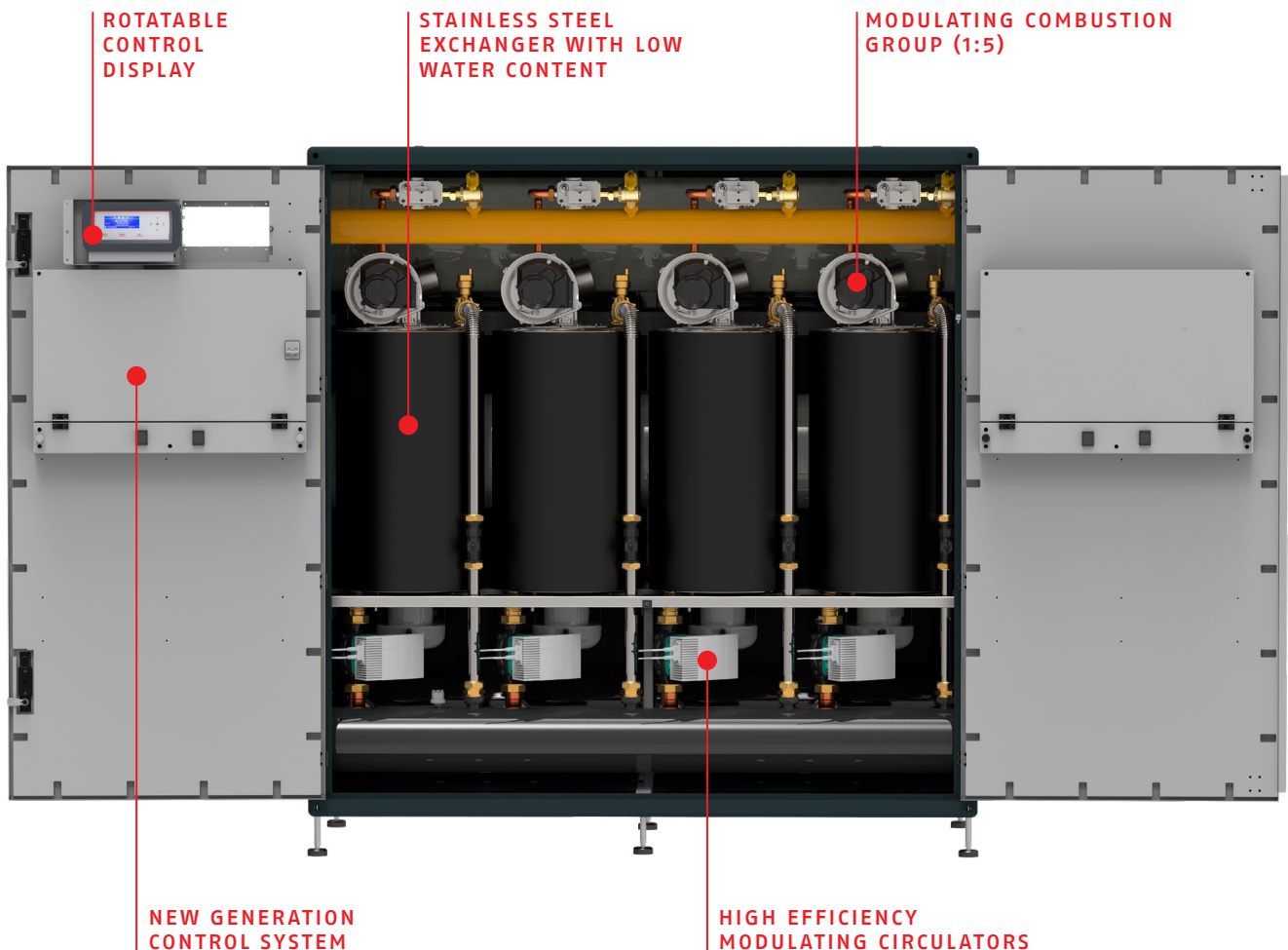
The cabinets, consisting of an anodized aluminium frame assembly and painted panels containing 2,3 or 4 thermal elements depending on the model, they are available with built-in low-consumption modulating circulators.

The power supplied by the individual modules is managed with the **new electronics control**, compatible with the MOD-BUS protocol, which, thanks to advanced operating logics, ensures optimal management, as well as allowing the distribution of heat in a precise manner to the various circuits.

All the models are internally equipped with hydraulic, gas, condensation discharge and fume exhaust manifolds, making possible the internal installation with an open chamber and, with appropriate kits, the sealed or external installation, all in an extremely reduced space, ideal both for the new thermal power stations and for the old large systems.

Compactness, versatility and electronic management, coupled to **the new patented double-acting stainless steel heat exchanger** and the premixed burner with wide modulation range, make **STEEL PRO POWER** an extremely efficient and low pollutant system.

To help the designer in identifying the best solution, Riello has developed a **configuration software** to support the selection process of the specific accessory developed for this system.



CONFIGURATION

STAND ALONE

- Possibility of exhaust fumes / air and hydronic connections on the right or on the left
- Simplified maintenance operations thanks to the rotatable control display
- Simplified installation thanks to the terminal block dedicated to the wiring
- Indoor or outdoor installation (with accessory kit)
- Open or sealed chamber combustion (with accessory kit)

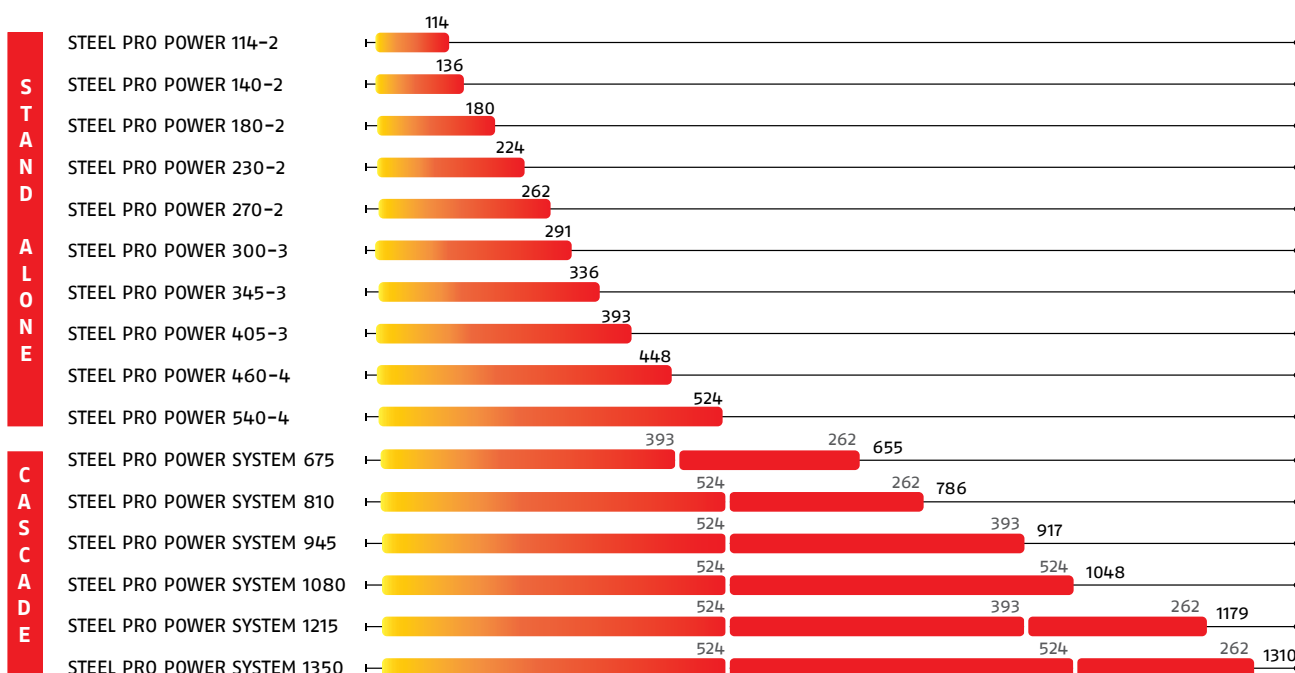


CASCADE

- Possibility to couple up to 10 modules
- Modulation ratio up to 1:50
- Side-to-side installation



STEEL PRO POWER is available in the following versions and heat inputs:



COMBUSTION UNIT

Each module of **STEEL PRO POWER** is composed of a **premixed burner** functioning in synergy with the new **heat exchanger**, so as to obtain an efficient transformation of the chemical energy of the fuel into thermal energy available to water and **contained polluting emissions**, ensuring operation even in the most demanding conditions.

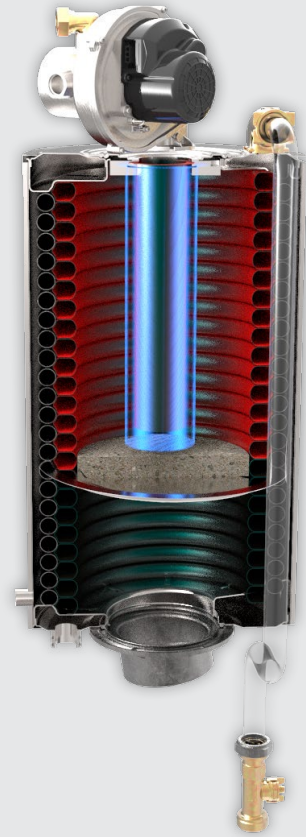
The heat exchanger, **low in water**, has been developed with the aim to quickly reduce the temperature of the fumes, limiting the pressure loss and ensuring an **efficient heat transfer** to water thanks to the high exchange surface.

It is composed of two concentric spiral coils made of stainless steel, the inner one made with a smooth tube with a pentagonal section, while the outer one has a circular section, allowing the parallel movement of water with elevated ΔT in order to reduce the system start-up times.

On the hydraulic supply pipe of each module is installed a **flow meter safety** device able to control the water flow inside the exchanger, so as to ensure optimal working in all operating conditions.

The premixed burner has been designed to contain polluting emissions below the most restrictive European limits, allowing **STEEL PRO POWER** to be in Class 6 NO_x according to UNI EN 15502-1.

In particular, it is equipped with a new modulating combustion group able to supply the power according to the needs of the system, ensuring for each module a **1:5 modulation ratio**, minimizing ON-OFF cycles, making **STEEL PRO POWER** suitable to be installed either as a replacement on existing systems or as a new generator on new plants for buildings with low energy content.



MODULARITY

Modularity is synonymous of flexibility and continuity of service, which must be associated with careful system management. For this, **STEEL PRO POWER** was designed by **sophisticated electronic logics**, in order to guarantee an efficient management of the single modules, as well as a careful coordination of their cascade operation.

To ensure the correct hydraulic management, each module is equipped with **non-return valves**, which prevent the inverse circulation of water in the modules turned-off, a condition that could be generated at partial loads.

ELECTRONIC CONTROL AND DISPLAY

Electronic **STEEL PRO POWER** regulation has complex tasks, having to monitor and process a lot of information coming from the plant quickly, in order to ensure the best comfort to the user with the lowest energy consumption and maximum operational safety.

The **STEEL PRO POWER** control has been developed with great attention to the refinement of the calculation programs, the efficiency of the detection and the processing speed.

The operating logic of the boiler in **"managing" and "depending" methods**, are preset and integrated into the electronic boards ensuring efficient cascade operation. The display interface is backlit, intuitive and multilingual, to simplify the dialogue between the machine and the operators.

STEEL PRO POWER uses a new generation control system that integrates the **climatic regulation** with advanced functions for the management of the plant.

Functions integrated in the control:

- Linear or curved climatic adjustment, in combination with the external probe
- Management of the cascade of the modules inside the cabinet
- Management of boiler cascades with Managing-Due logic
- Power control for operation a ΔT constant
- ACS production management and direct circuit
- Possibility of system expansion through accessory control additional heating zones (direct / mixed)
- Pumps modulating control (PWM / 0-10 V)
- Remote management via MODBUS
- External power control via 0-10 V input
- Automatic SUMMER / WINTER switching

The electronic regulation is completed by the new backlit display, easy to use, thanks to the intuitive menu that combines graphic elements with text strings. Allows the regulation of the system, including the distribution of heat on the secondary circuit, with climatic curves and time slots dedicated to each managed system; the user interface is equipped with 8 keys for menu navigation and for setting the operating parameters.



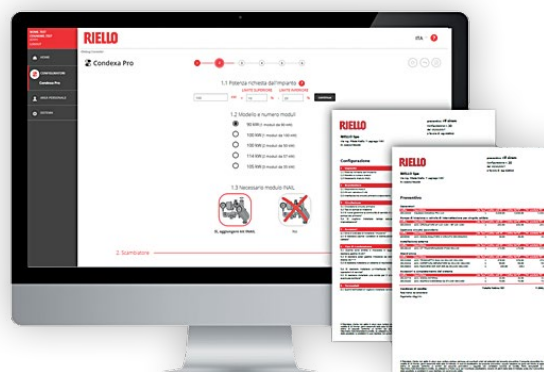
DISPLAY FEATURES

- Multilingual menu, multi-level tree
- Management of user profiles protected by a password
- Large backlit screen, 255x80 pixels
- Management of weekly time schedules
- Boiler error history

SIMPLIFY THE COMPLEXITY

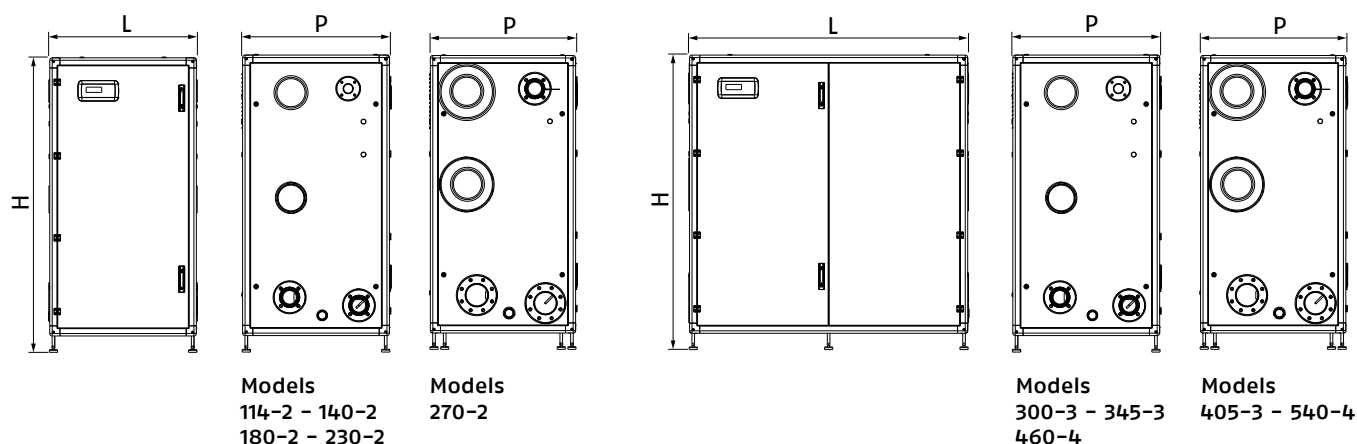
Riello supplies with **STEEL PRO POWER** a varied range and the tools to tame it. The choice of the solution that best interprets the characteristics of the project can be a burdensome task with a certain degree of complexity, which Riello simplifies by providing a dynamic configuration system.

Starting from the basic information on the total thermal power required, the **Configurator** gradually it automatically requires other clarifications and proposes progressively possible solutions. The tool thus guides the designer towards the best technical choice, which can be translated directly into an estimate and accompanied by product documentation. Once again, Riello transforms complexity into a continuous challenge and therefore into an opportunity.



DRAWINGS AND TECHNICAL DATA

STEEL PRO POWER has small dimensions facilitating installation and handling operations.



Model		114-2	140-2	180-2	230-2	270-2	300-3	345-3	405-3	460-4	540-4
Rated heat input PCI	kW	114	136	180	223,2	262	291	334,8	393	446,4	524
	kcal / h	98088	117017	154876	191917	225430	250382	287876	338145	383835	450860
Nominal heat output 80-60°C	kW	111,4	134	176,6	219,6	258	285,9	329,4	387	439,2	516
	kcal / h	95851	115296	151950	188948	221989	245994	283423	332983	377897	443977
Nominal heat output max 50-30°C	kW	123,8	147,8	194,8	242,2	284,2	315,3	363,6	426,3	484,4	568,4
	kcal / h	106520	127170	167610	208394	244532	271291	312849	366797	416788	489063
Reduced heat input PCI	kW	13,7	13,7	19,4	22,4	26,3	19,4	22,4	26,3	22,4	26,3
	kcal / h	11788	11788	16692	19273	22629	16692	19273	22629	19273	22629
Reduced heat output 80/60°C	kW	13,5	13,5	19,2	22,1	26,0	19,2	22,1	26,0	22,1	26,0
	kcal / h	11616	11616	16520	19015	22371	16520	19015	22371	19015	22371
Reduced heat output 50/30 °C	kW	14,9	14,9	21,1	24,5	28,9	21,1	24,5	28,9	24,5	28,9
	kcal / h	12820	12820	18155	21080	24866	18155	21080	24866	21080	24866
Useful efficiency at nominal heat output 80-60°C (PCI)	%	97,72	98,53	98,11	98,40	98,47	98,25	98,40	98,47	98,40	98,47
Combustion efficiency	%	99,0	99,0	99,0	99,3	99,3	99,0	99,3	99,3	99,3	99,3
Useful efficiency at nominal heat output 50/30°C (PCI)	%	108,6	108,1	108,3	108,6	108,3	108,2	108,6	108,3	108,6	108,3
Useful efficiency at reduced heat output 50-30°C (PCI)	%	109,3	109,3	109,2	110	110	109,2	110	110	110	110
Useful efficiency 30% 50-30°C (PCI)	%	109,4	109,3	108,9	108,9	109,4	108,9	108,9	109,4	108,9	109,4
Electrical consumption at full load	W	198	264	460	706	964	951	1059	1446	1412	1928
Power supply	V-Hz	230-50									
Index of protection	IP	X4D									
Maximum working pressure	bar	6									
Maximum operating temperature	°C	100									
Flue gas mass at max-min power (G20)	g/s	53-6	64-6	84-9	104-10	122-12	136-9	156-10	183-12	208-10	245-12
N0x		Class 6									
Height	H	1800	1800	1800	1800	1800	1800	1800	1800	1800	1800
Width	L	900	900	900	900	900	1800	1800	1800	1800	1800
Depth	P	890	890	890	890	890	890	890	890	890	890
Net weight	kg	270	270	280	300	350	450	490	540	560	600

RIELLO

RIELLO S.p.A.
Via Ing. Pilade Riello, 7
37045 Legnago (VR) - Italy
tel. +39 0442 630111
www.riello.com



STEEL PRO
POWER

Cod. 27015627 - EN - rev.03 09/2025



©2025 Carrier. All Rights Reserved.
All product and service marks mentioned in this document
are the property of their respective owners.

Riello reserves the right to change the information and specifications
contained herein at any time and without notice. The contents and
information provided herein are for informational purposes only
and are not intended to provide legal or professional advice. This
document, therefore, cannot be considered binding on third parties.