

INERTSALVESTI, 50 LIITRIT

50-LITER STORAGE TANK

Käesolev juhend on lahutamatu osa selle aparatuuri kasutusjuhendist, kuhu komplekt on paigaldatud.

Käesolevast dokumendist leiate ÜLDISED HOIATUSED JA PÕHILISED OHUTUSESKIRJAD.

This instruction is an integral part of the instruction booklet of the appliance on which the kit is installed.

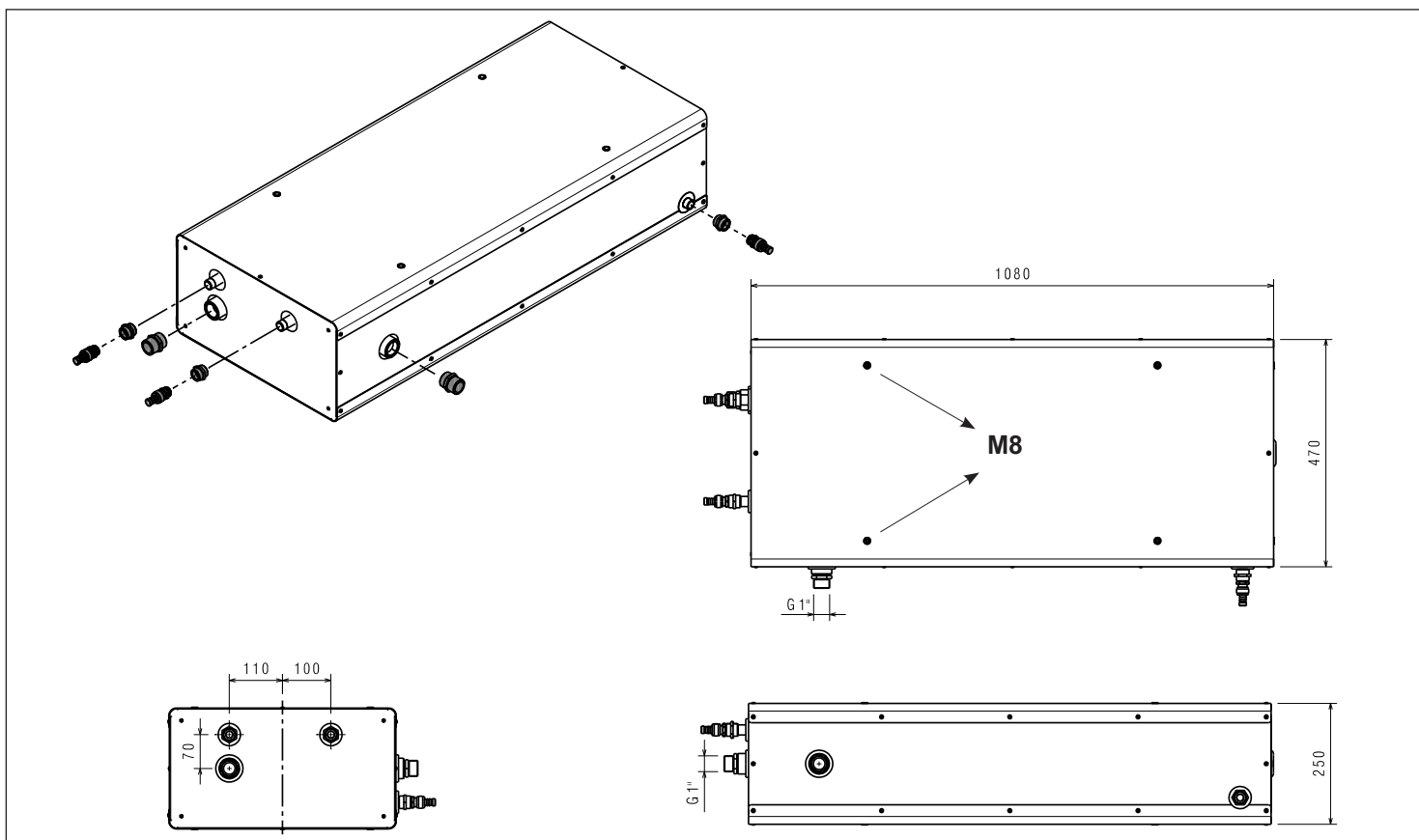
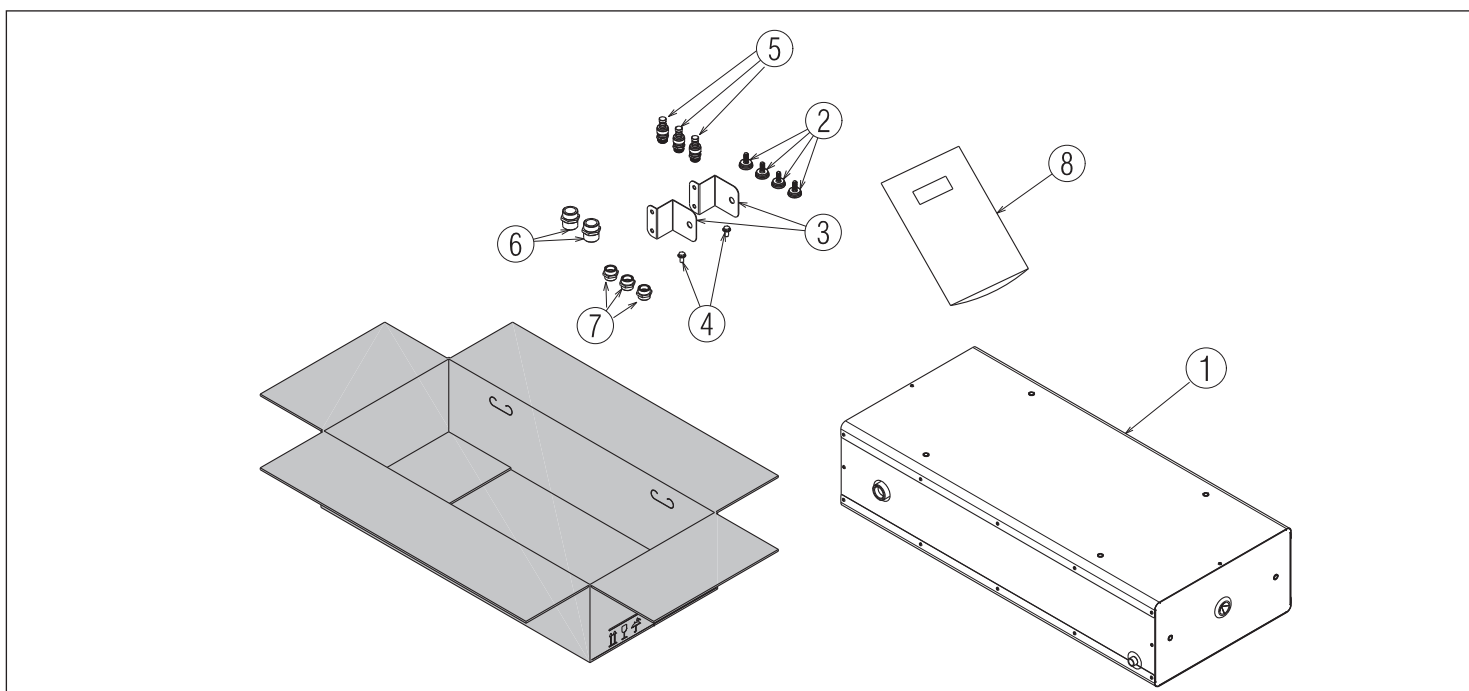
Please refer to this booklet for GENERAL WARNINGS and BASIC SAFETY RULES.

Komplekti kuuluvad:	Tk
1 Inertsalvesti, 50 lt	1
2 M8 keermega reguleeritav jalg	4
3 Seinakinnitusseade	2
4 M8 kruvi	2
5 Paagi tühjendusklapp	3
6 Nippel 1" M - 1" M	2
7 Hüdraulikalülitmik F 1/2" - F 1/2"	3
8 Kasutusjuhend	1

The kit is composed by:	Q.ty
1 Storage tank	1
2 M8 threaded adjustable foot	2
3 Bracket for wall-mounted installation	2
4 M8 screw	2
5 Storage tank discharge valve	3
6 1" M - 1" M Nipple	2
7 F 1/2" - F 1/2" hydraulic connection	3
8 Instructions	1

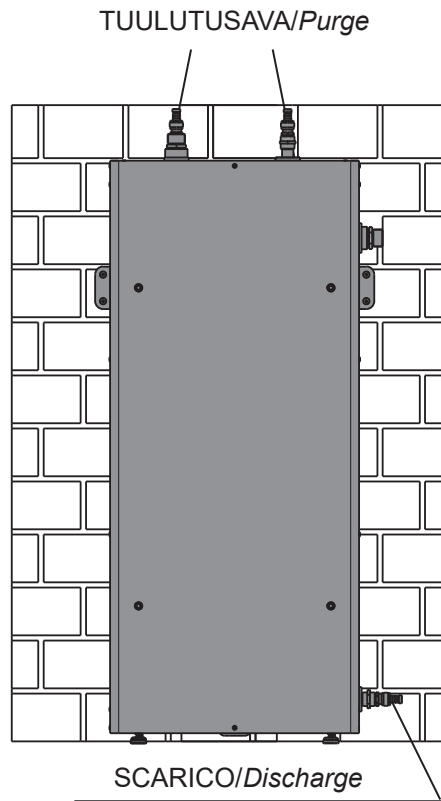
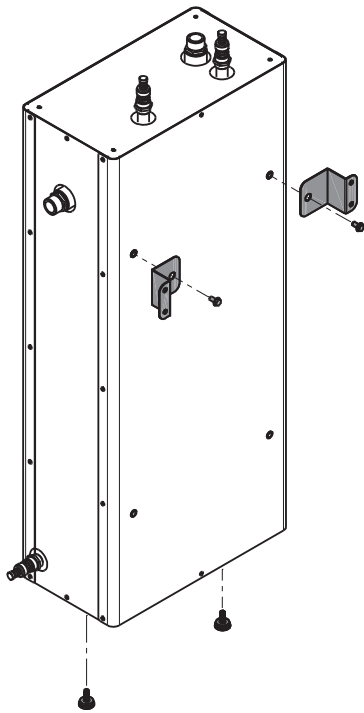
! Selle komplekti peavad paigaldama selle eriala asjatundjad.

! This kit must only be installed by professionally qualified personnel.

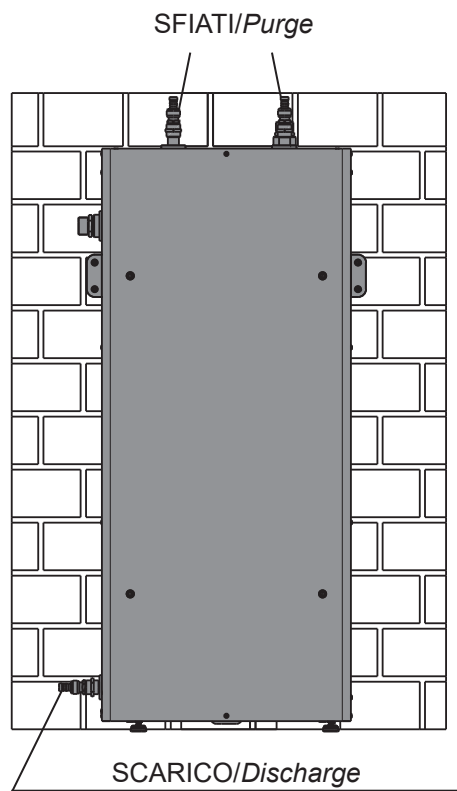
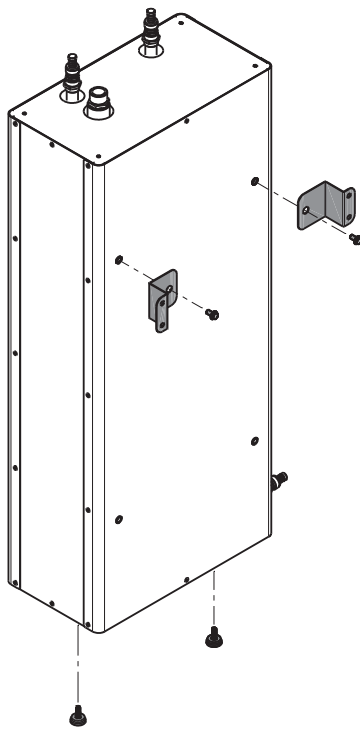


PAIGALDAMINE SEINALEWALL INSTALLATION

1a)

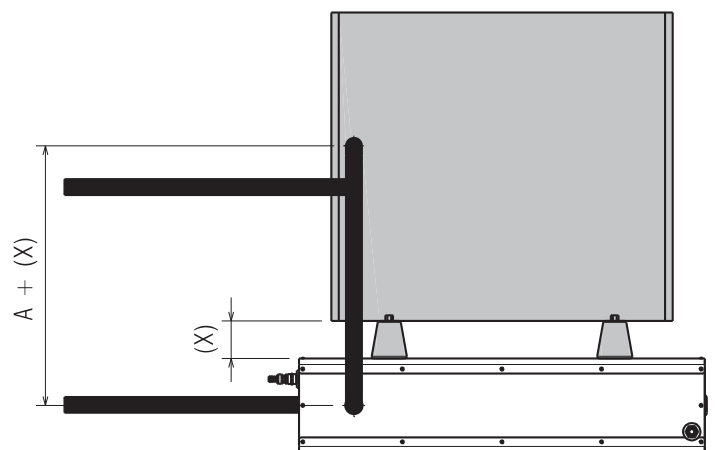
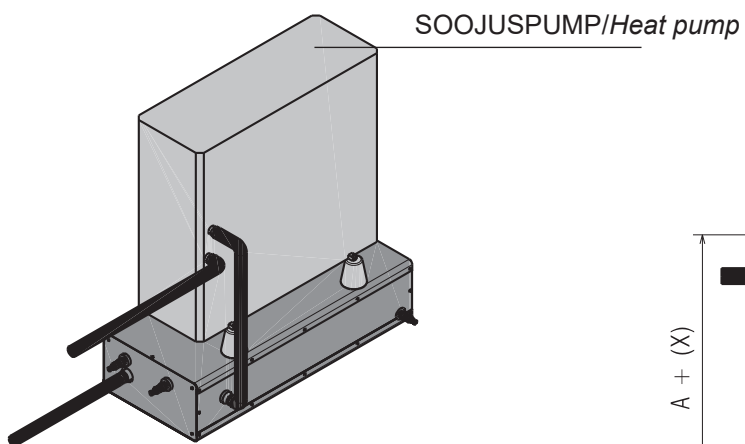
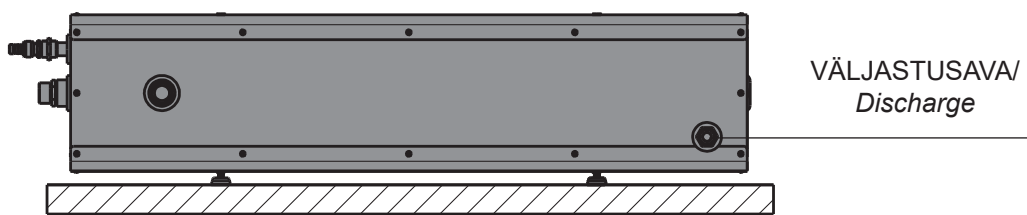
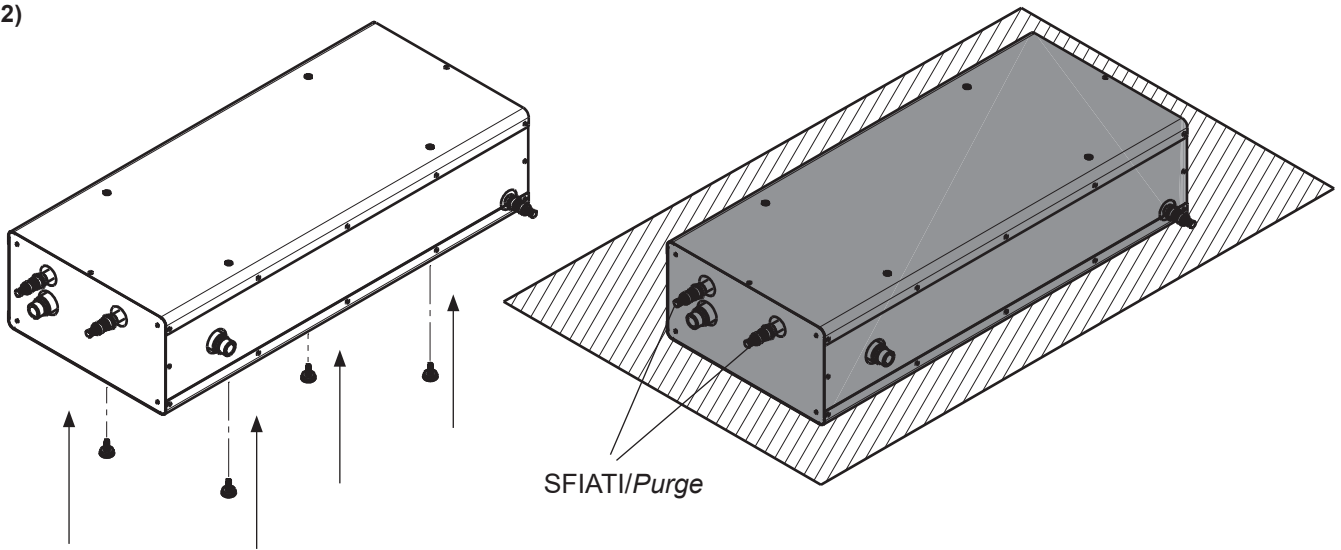


1b)



PAIGALDAMINE PÖRANDALE/FLOOR INSTALLATION

2)



mudel/model	A
4-6-8 kW	591 mm
12 kW	875 mm

RÕHULANGUS
Pressure drops

