

## INERCIJSKI ZBIRALNIK, 50 LITROV

## 50-LITER STORAGE TANK

To navodilo je del knjižice z navodili za napravo, na kateri je nameščen komplet.

To knjižico z navodili glejte tudi za SPLOŠNA OPOZORILA ter OSNOVNA VARNOSTNA PRAVILA.

This instruction is an integral part of the instruction booklet of the appliance on which the kit is installed.

Please refer to this booklet for GENERAL WARNINGS and BASIC SAFETY RULES.

### Komplet sestavlja:

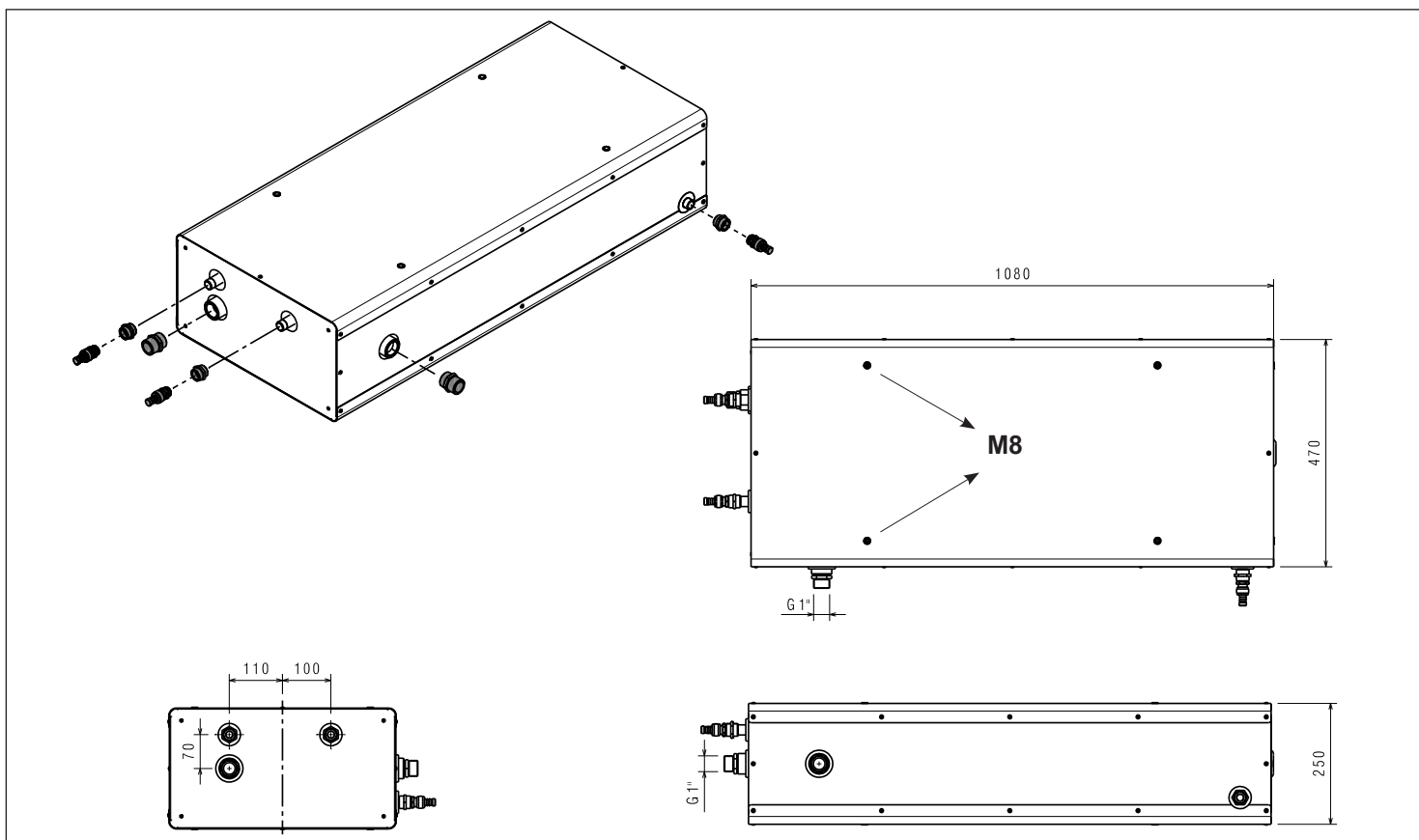
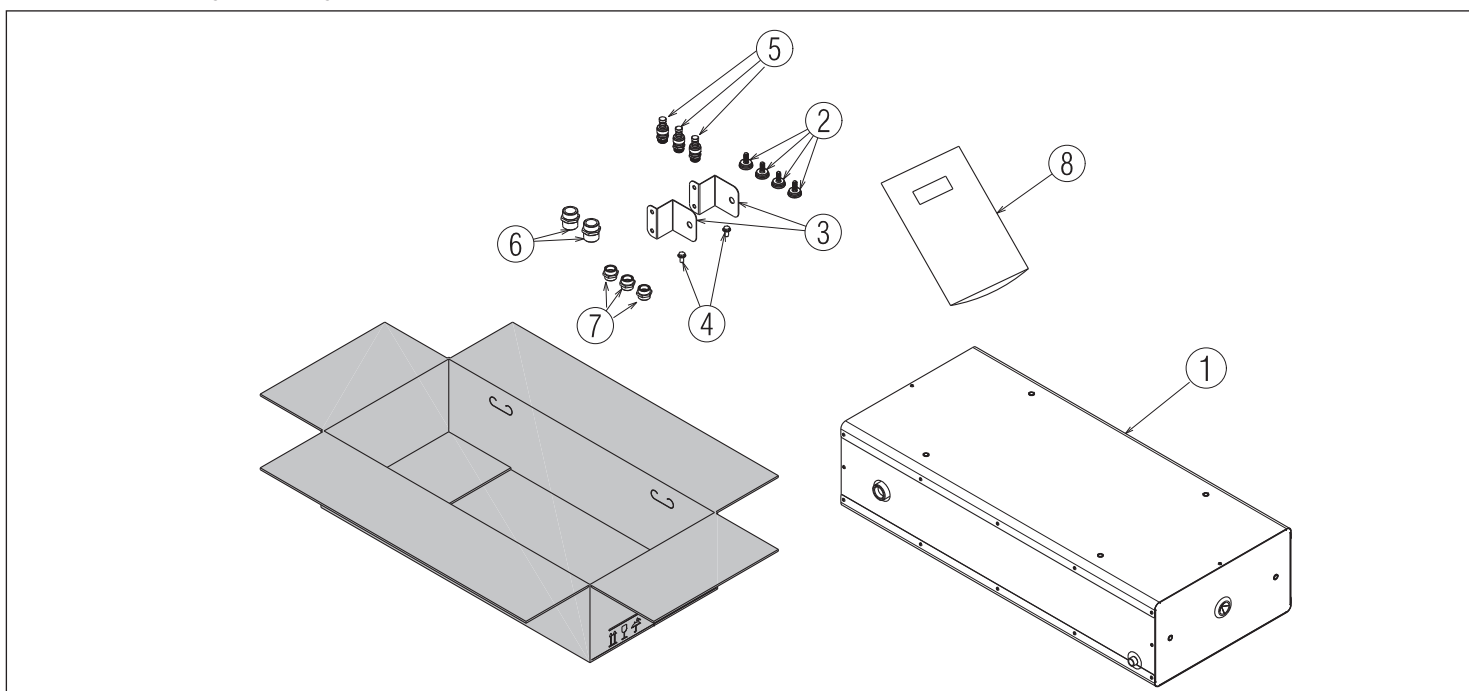
	Količ.
1 Inercijski zbiralnik 50 L	1
2 Nastavljiva noga z navojem M8	4
3 Nosilec za stensko pritrnitev	2
4 Vijaki M8	2
5 Izpustni ventil grelnika	3
6 Navojna spojka 1" M – 1" M	2
7 Fiting F 1/2" – F 1/2"	3
8 Navodilo za uporabo	1

### The kit is composed by:

	Q.ty
1 Storage tank	1
2 M8 threaded adjustable foot	2
3 Bracket for wall-mounted installation	2
4 M8 screw	2
5 Storage tank discharge valve	3
6 1" M - 1" M Nipple	2
7 F 1/2" - F 1/2" hydraulic connection	3
8 Instructions	1

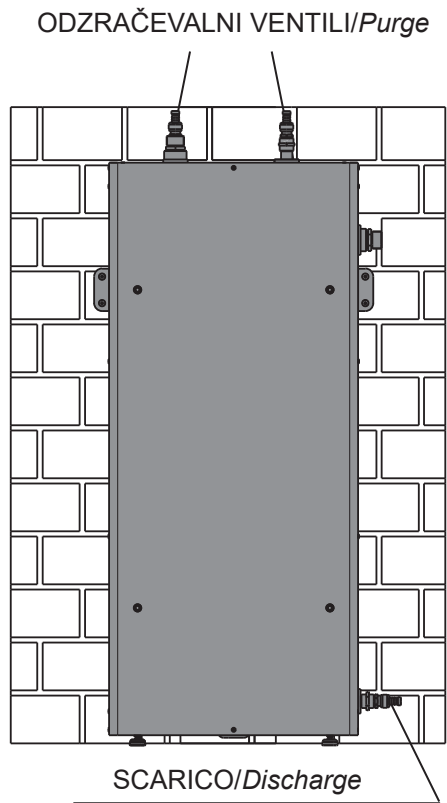
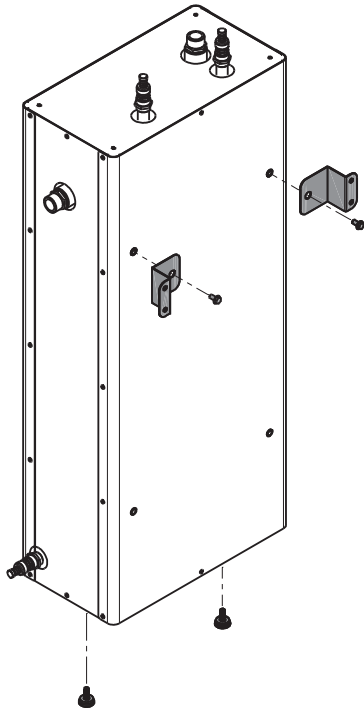
**⚠ Ta komplet mora namestiti samo strokovno usposobljeno osebje.**

**⚠ This kit must only be installed by professionally qualified personnel.**

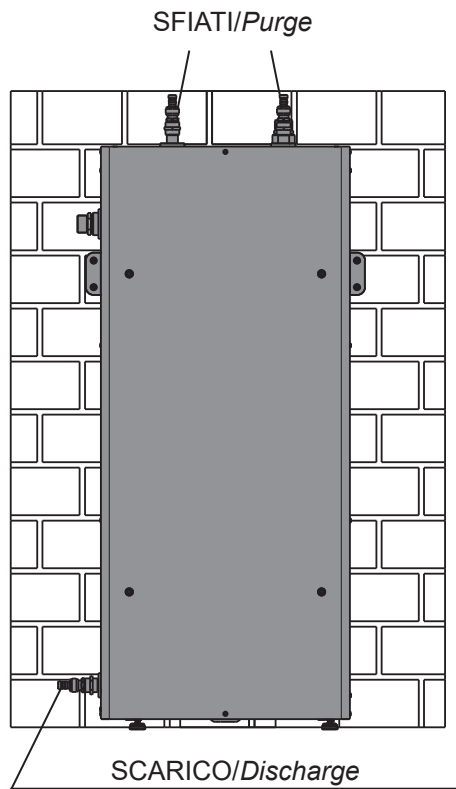
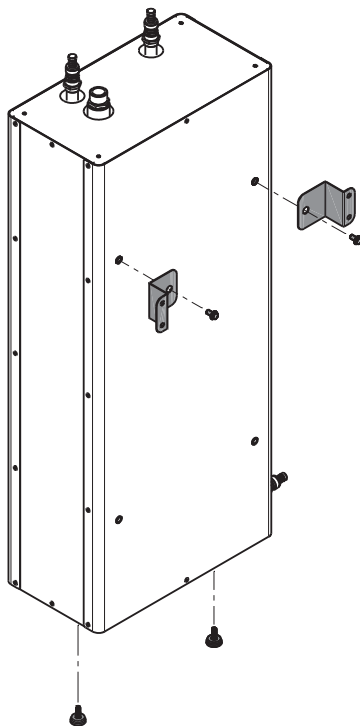


## STENSKA NAMESTITEV WALL INSTALLATION

1a)

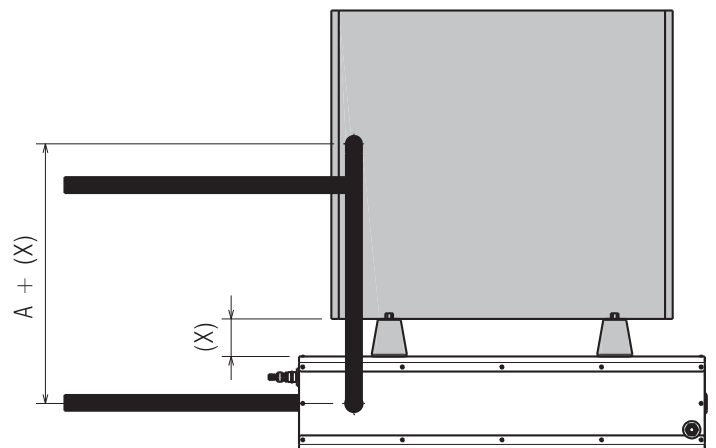
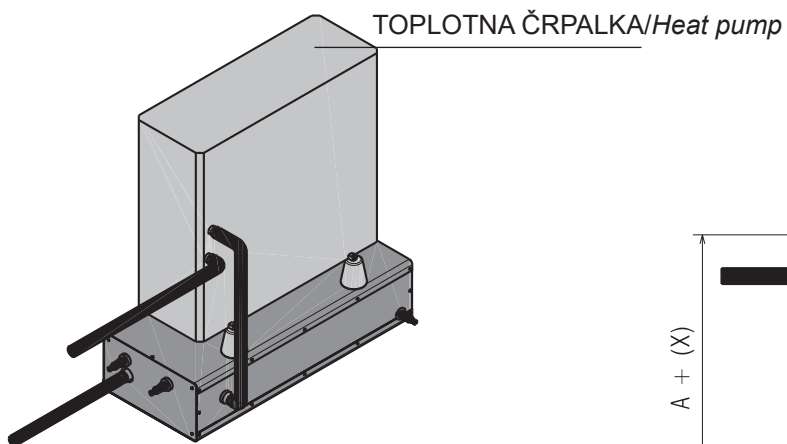
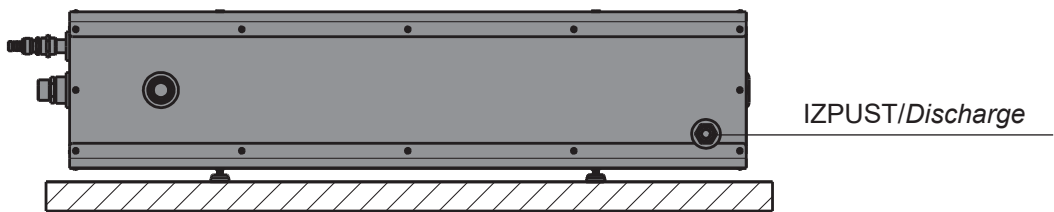
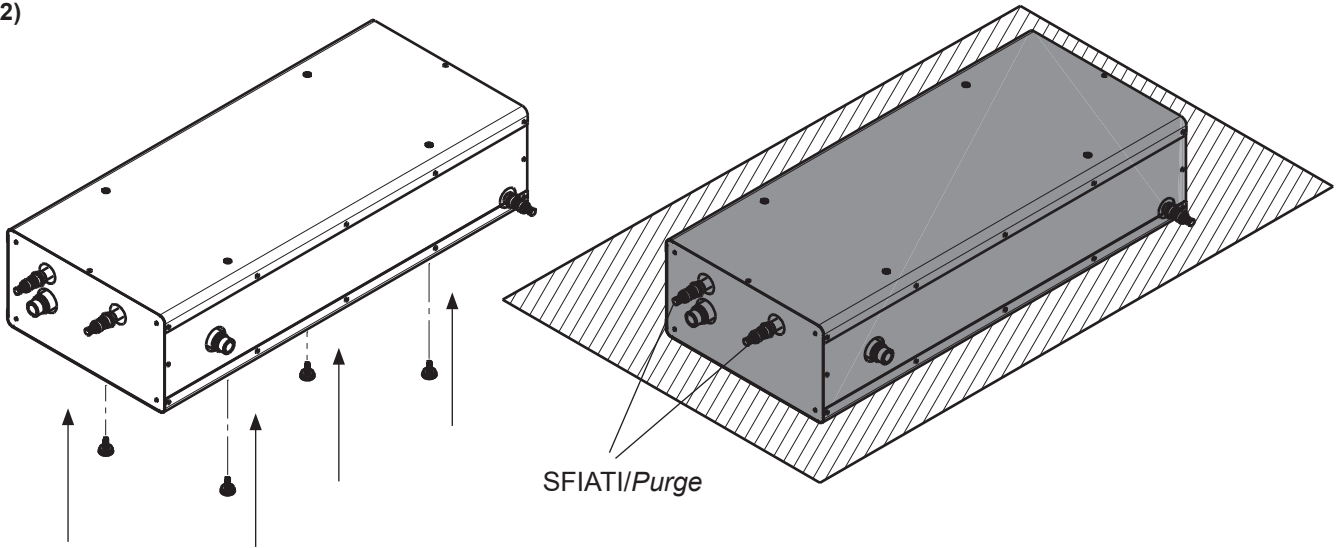


1b)



## TALNA NAMESTITEV/FLOOR INSTALLATION

2)



model/model	A
4-6-8 kW	591 mm
12 kW	875 mm

**TLAČNE IZGUBE**  
*Pressure drops*

