

## **START 28 KI**

### **START 24-28-35 KIS**

EN - INSTALLER AND USER MANUAL  
FR - MANUEL D'INSTALLATION ET D'UTILISATION  
UK - KA КЕРІВНИЦТВО З УСТАНОВКИ ТА ЕКСПЛУАТАЦІЇ

# **RIELLO**

- EN** **START** boiler complies with basic requirements of the following Directives:
- Gas directive 2009/142/EC;
  - Efficiency directive: Article 7(2) and Annex III of directive 92/42/EEC;
  - Electromagnetic compatibility directive 2014/30/EU;
  - Low-voltage directive 2014/35/EU.

Installer's - User's manual.....	3-14
Boiler operating elements.....	56
Hydraulic circuit.....	58
Electric diagrams.....	60
Circulator residual head.....	63

The following symbols are used in this manual:



**CAUTION** = operations requiring special care and adequate preparation



**NOT ALLOWED** = operations that **MUST NOT** be performed

- FR** La chaudière **START** respecte les conditions de base requises par les Règlements suivants:
- Directive sur le gaz 2009/142/CEE;
  - Directive sur le rendement: Article 7(2) et Annexe III de la directive 92/42/CEE;
  - Directive sur la compatibilité électromagnétique 2014/30/EU;
  - Directive sur la basse tension 2014/35/EU.

Manuel d'installation - Manuel de l'utilisateur.....	20-32
Éléments fonctionnels de la chaudière.....	56
Circuit hydraulique.....	58
Schémas électriques.....	60
Prévalence résiduelle du circulateur.....	63

Dans certaines parties du manuel on utilise les symboles:



**ATTENTION** = actions demandant une certaine prudence et une préparation adéquate



**INTERDICTION** = actions **NE DEVANT** absolument **PAS** être exécutées

- UK** Котел **START** відповідає основним вимогам наступних Директив:
- Газова директива 2009/142/EC;
  - Директива з питань ефективності: Розділ 7(2) та Додаток III директиви 92/42/EEC;
  - Директива з електромагнітної сумісності 2014/30/EU;
  - Директива ЄС з низьковольтного електротехнічного обладнання 2014/35/EU.

Керівництво з установки та експлуатації.....	38-50
Функціональні елементи котла.....	56
Гідравлічна схема.....	58
Електричні схеми.....	60
Висота нагнітання циркуляційного насосу.....	63

В даному керівництві використовуються наступні символи:

















**УВАГА** = дії, що потребують підвищеної уваги та відповідної підготовки





**ЗАБОРОНЕНО** = дії, які **НЕ МОЖНА** ВИКОНУВАТИ ні в якому разі








## INSTALLER MANUAL

### 1 - WARNINGS AND SAFETY INSTRUCTIONS

-  After removing the packaging, make sure that the product is integral and complete with all its parts. If it does not correspond with the order made, please contact the Riello Agency that sold the boiler.
-  The boiler must be installed by a qualified company in accordance with the regulations in force and in observance of applicable legislation and of the indications provided by Riello in the present instructions booklet.
-  The installer explains how the appliance operates to the user, and the basic safety regulations.
-  The boiler must be used for the purpose envisaged by the producer, for which it was expressly made. No contractual or extracontractual liability is accepted by Riello for damage caused to people, animals, or objects due to errors in installation, adjustment, or maintenance or by improper use.
-  In the event of a water leak, shut-off the water supply and promptly notify the Technical Assistance Service or a professionally qualified technician.
-  Check regularly that the hydraulic system operating pressure is between 1 and 1.5 bar. If the pressure is not between these values, fill the system as indicated in the specific chapter. In the event of frequent pressure drops, please seek assistance from the Technical Assistance Service or a professionally qualified technician.
-  If the boiler will not be used for a prolonged period of time, you must:
  - turn the main switch of the device and the general system switch to "off"
  - shut off the heating system gas and water cocks
  - empty the heating system and the domestic hot water (DHW) system if there is a risk of freezing.
-  Boiler maintenance must be carried out at least once a year.
-  This manual and the user manual are an integral part of the device. They must be carefully preserved and must always accompany the boiler, even if it is sold to another owner or user, or transferred to another facility. If lost or damaged, please request another copy from the Technical Assistance Service for your area.
-  The boilers are designed to protect both the user and installer from any accidents. After any intervention on the product, take care to restore the electrical connections. Take special care with stripped sections of wire, which must never protrude from the terminal board.
-  Dispose of packaging materials in the relevant containers at authorised waste collection centres.
-  Waste must be disposed of without any risk to personal health and safety and without adopting procedures or methods that may be harmful to the environment.
-  At the end of its lifetime, the product must not be disposed of as solid urban waste but must be delivered to a specialised waste disposal centre for recycling.
-  The air vents are essential for correct combustion and for safety (only KI model).

Please remember that in using products which involve gas, electricity and water, you must adhere to some basic safety requirements:

-  Children and unassisted disabled persons must not use the boiler.
-  Do not operate devices or electrical appliances such as switches or domestic appliances, etc. if you can smell gas or unburned gas. Should this occur:
  - open the doors and windows to ventilate the room
  - close the gas shut-off device
  - call the Technical Assistance Service or a professionally qualified technician immediately.

-  Do not touch the boiler when barefoot or with any wet parts of the body.
-  Do not clean the boiler without having disconnected it from the mains power supply by setting the power switch to "off".
-  Do not modify the safety or adjustment devices without prior authorisation or instructions from the boiler manufacturer.
-  Do not pull, disconnect or twist the electrical cables coming from the boiler, even if it is disconnected from the mains electricity supply.
-  Do not seal off or reduce the size of the air vents (if present) in the room where the boiler is installed.
-  Do not leave containers of flammable substances in the room where the boiler is installed.
-  Dispose of packaging responsibly and keep all packaging material out of the reach of children, as this is a potential source of danger.

### 2 - DESCRIPTION

**START** is a wall-mounted gas boiler for central heating and domestic hot water, with a monothermal exchanger.

The boiler is controlled electronically with automatic ignition, ionisation flame control, modulating in heating and DHW mode.

**START KI:** it is fitted with an open combustion chamber and classed in category B11BS.

**START KIS:** has a sealed combustion chamber and, based on the gas discharge accessory used, is classified in B22P,B52P; C12,C12x; C22 (where required); C32,C32x; C42,C42x; C52,C52x; C82,C82x; C92,C92x categories.

To guarantee the correct water flow in the exchanger, the boiler is fitted with an automatic bypass device.

It is also complete with the safety, expansion and distribution accessories.


**START** boiler is fitted with:

- microprocessor control and management with self-diagnostics
- pump anti-block function and 3-way valve
- first level anti-freeze (suitable for indoor installations)
- provision for room thermostat or timer or zone valve
- digital display indicating operating temperature and fault codes.

#### 2.1 Safety devices


**START** boiler is equipped with the following safety devices:


- **Safety valve and water pressure switch**, which intervene in the event of insufficient or excessive water pressure (min. 0.7 bar - max. 3 bar).
- **Water temperature limit thermostat**, which intervenes setting the boiler to safety stop status if the temperature exceeds the values envisaged by current standards.
- **START KI: Fumes thermostat**, which intervenes setting the boiler to safety stop status if combustion products return in the hood. It is located on the right tile of the draught diverter mechanism.
- **START KIS: Differential air pressure switch**, which intervenes by placing the boiler in a state of security stop in case of faults in the fume exhaust circuit.


 If a safety device is tripped, there is a boiler fault. Please contact the Technical Assistance Service immediately.

The **fumes thermostat** and the **differential air pressure switch** are tripped not only by a defect in the combustion product evacuation circuit, but also by random atmospheric conditions.

Therefore, after a short wait, the boiler can be restarted (see the chapter "First start-up").


 **START KI:** If the fumes thermostat trips repeatedly, this means combustion products are evacuated towards the boiler installation area. This means combustion may be incomplete and there is a risk of carbon monoxide forming. This is a serious hazard. In this case, please contact the Technical Assistance Service immediately.

 The boiler must not be operated, even temporarily, if the safety devices are not functioning or have been tampered with.

 The safety devices must be replaced by the Technical Assistance Service, using original manufacturer components only. Please see the spare parts catalogue supplied with the boiler.

After repairs, always perform an ignition test.

### 3 - INSTALLATION


 **START KI:** In existing buildings, this natural draught boiler must only be connected to a flue system shared by several homes to evacuate the combustion residue outside the room where the boiler is installed. For combustion, the boiler takes in air directly from the room and is equipped with a draught diverter. Due to reduced efficiency, any other use of this boiler must be avoided at all times, as this would lead to increased energy consumption and higher operation costs.

#### 3.1 Product delivery

The **START** boiler is supplied in a single box protected by carton packaging.

The boiler is supplied with the following material:

- installer's and user's instructions booklet
- bar code labels
- flange Ø 42 (START 24 KIS)
- flanges Ø 43-47 (START 28 KIS)

 The instruction manuals are an integral part of the boiler. Please read the manuals and store them in a safe place.

#### 3.2 Dimensions and weight (fig. 1)

	START 28 KI	START 24 KIS	START 28 KIS	START 35 KIS	
L	450	405	400	505	mm
P	332	248	332	332	mm
H	740	715	740	780	mm
Net weight	31	29	32	41	kg

#### 3.3 Handling

After removing all packaging, the boiler is handled manually using the support frame (fig. 2).

#### 3.4 Installation room


##### START KI


Boiler must be installed in rooms having aeration openings in compliance with the Technical Standards and of adequate dimensions.


##### START KIS

In configuration C, the appliance can be installed in any type of room and there are no limitations due to ventilation conditions or room volume since the boiler has an "airtight" combustion circuit in relation to the installation environment.

In configuration B22P and B52P the appliance cannot be installed in bedrooms, bathrooms, showers or where there are open fireplaces without a proper air flow. The room where the boiler is installed must have proper ventilation.

 Consider the clearances necessary to access safety and adjustment devices and to perform maintenance operations.

 Check that the electric protection level of the appliance is suitable for the installation room characteristics.

 In case the boilers are supplied with fuel gas of a specific weight greater than that of the air, the electric parts will have to be placed at a level above the ground greater than 500 mm.


#### 3.5 Installation in older systems or circuits requiring renovation


When **START** boilers are installed in older systems or systems requiring renovation, ensure that:

- the flue exhaust is suitable for the temperatures produced by combustion, calculated and built in line with the regulations, and is as straight as possible, airtight, insulated and not blocked or constricted
- the electrical system complies with the specific regulations and is installed by qualified technicians
- the gas conveyance line and any tanks (LPG) comply with specific regulations

- the expansion tank ensures full absorption of the expansion of the fluid in the system
- the flow rate and useful head of the pump are suitable for the system
- the system is washed, free of all dirt and build-up, de-aerated and correctly sealed
- the boiler condensate drain system (siphon) is connected and routed to the collection of "white" water (KIS models)
- there is a treatment system when the supply/top-up water is of a specific type (see the table for possible reference values).

Supply water values	
pH	6-8
Electrical conductivity	less than 200 µS/cm (25°C)
Chloride ions	less than 50 ppm
Sulphuric acid ions	less than 50 ppm
Total iron	less than 0.3 ppm
Alkalinity M	less than 50 ppm
Total hardness	less than 35°F
Sulphur ions	None
Ammonia ions	None
Silicon ions	less than 20 ppm

 The manufacturer declines all liability for possible damage caused by incorrect installation of the flue outlet system.

 If the supply water has a total hardness of between 25°F and 50°F, install the domestic water kit (polyphosphate dispenser). If the total hardness is above 50°F, the kit progressively decreases in efficiency and a higher performing appliance or a water softening system should be installed. In case of total hardness below 25°F, a suitably sized filter should be installed if the water supplied from the mains is not perfectly clean/cannot be cleaned.

#### 3.6 Boiler installation

For a correct installation, keep in mind that:

- the boiler must not be placed above a stove or other cooking appliance;
- it is forbidden to leave flammable products in the room where the boiler is installed;
- heat-sensitive walls (e.g. wooden walls) must be protected with suitable insulation;
- the minimum clearances for technical and maintenance interventions must be respected.

##### START KI

Installation must be carried out by qualified personnel, in accordance with the regulations in law. In particular UNI 7129-7131 and CEI 64-8 and 64-9 must be respected.

##### START KIS (fig. 3a)

The boiler can be installed indoor and outdoor.

**Indoor installation:** they may be installed in numerous rooms as long as the combustion product outlet and combustion air suction are brought outside the room itself. In this case, the room does not require any ventilation opening because these are boilers with an "airtight" combustion circuit in relation to the installation environment.

If, instead, the combustion air is picked up from the installation room, the latter must be equipped with ventilation openings compliant with Technical Standards and suitably dimensioned.

Consider the clearances necessary to access safety and adjustment devices and to perform maintenance operations.

Check that the electric protection level of the appliance is adapted to the installation room characteristics.

In case the boilers are supplied with fuel gas of a specific weight greater than that of the air, the electric parts will have to be placed at a level above the ground greater than 500 mm.

**Outdoor installation:** The boiler can be installed outdoor, in a partially protected place (i.e. a place where the boiler is not exposed to direct contact or infiltration of rain, snow or hail).

The boiler is fitted as standard with an automatic anti-freeze system that activates when the water temperature in the primary circuit falls below 6°C. To take advantage of this protection, based on the burner operation, the boiler must be able to switch itself on; any lockout condition (i.e. due to a lack of gas or electrical supply, or the intervention of a safety device) therefore deactivates the protection.

## FIXING THE BOILER

The **START** boiler has been designed and produced to be installed in heating and domestic hot water production systems.

The position and dimensions of the hydraulic fittings are stated in the illustrations.

- Position the support plate using a spirit level. Check it is horizontally level and that the boiler support surface is flat. If necessary, add shims to level the surface correctly.
- Mark the fixing points referring to the indication "plug the hole".
- Remove the plate and drill the holes
- Fit the plugs.
- Use a spirit level to check the plate is level.
- Hook up the boiler to the plugs (fig. 4).

### 3.7 Hydraulic connections (fig. 5)

We recommend connecting the boiler to the systems introducing both the DHW shut-off valve as well as the shut-off valves for the heating system; for this purpose a heating system valves kit and heating valves kit with filter is available.

<b>M</b>	heating delivery
<b>AC</b>	hot water outlet
<b>G</b>	gas
<b>R</b>	heating return
<b>AF</b>	cold water inlet

⚠ The choice and installation of system components is left to the discretion of the installer, who must operate according to the rules of good technical practice and current legislation.

⚠ If the supply water has a total hardness of between 25°F and 50°F, install the domestic water kit. If the total hardness is above 50°F, the kit progressively decreases in efficiency and a higher performing appliance or a water softening system should be installed. In case of total hardness below 25°F, a suitably sized filter should be installed if the water supplied from the mains is not perfectly clean/cannot be cleaned.

⚠ The boiler safety valve outlet must be connected to an adequate collection and drainage system. The boiler manufacturer declines all liability for any flooding caused by the safety valve.

⚠ A carry case kit is available so that connections can be made quickly, without wasting time on each system.

### 3.8 Electrical connections (fig. 6 - 7 - 8)

The **START** boiler is factory-wired and the electrical power cable is already connected. The room thermostat/s (TA) must simply be connected to the relative terminals.

- Turn the main system switch to "OFF".
- Unscrew the case fixing screws (A).
- Move the bottom of the case forward and then upwards to detach it from the frame.
- Unscrew the panel screws (B).
- Turn the control panel forwards.
- Open the cover (C) to access the control board.

The boiler operates with alternating current at 230 V/50 Hz and is compliant with standard EN 60335-1.

⚠ Low-voltage safety room thermostat (voltage-free contact).

⚠ When using a phase-phase power supply, use a tester to determine which of the two wires has the greater potential compared to the earth and connect it to the L terminal. Connect the remaining wire to the N terminal.

⚠ The boiler can also operate with a phase-neutral or phase-phase power supply. For floating power supplies, i.e. those which have no earth connection, use an insulation transformer with a secondary circuit connected to the earth.

⚠ The earth wire must be approximately 2 cm longer than the other wires.

#### YOU MUST:

- use a general trip-switch to disconnect the line in compliance with Italian CEI-EN 60335-1 standards (contact opening at least 3.5 mm, category III)
- use cables with a cross-section of  $\geq 1.5 \text{ mm}^2$  and respect the L (phase) - N (neutral) connection
- ensure that the amperage on the switch is adequate for the boiler's

electrical power rating. Please refer to the technical data to check the electrical rating of the model installed

- connect the appliance to an efficient earthing system
- ensure that the power socket can be accessed after installation.

⚠ Do not use gas or water pipes to earth this appliance.

⚠ The manufacturer declines any liability for damage caused by failure to comply with the wiring diagrams.

⚠ The installer is responsible for ensuring that the appliance has an efficient earthing system. The manufacturer declines all liability for any damage caused by a faulty earthing circuit or the lack of an efficient earthing circuit.

### 3.9 Gas connections

The **START** boilers must be connected to the main gas supply in compliance with current installation standards.

Before connecting the appliance, ensure that:

- the type of gas is compatible with the boiler model being installed.
- all pipelines are thoroughly cleaned.

⚠ The gas supply system must be suited to the flow rate of the boiler and must be fitted with all safety and control devices as envisaged by current standards. A suitable sized filter should also be used.

⚠ At the end of installation, check all connections are properly sealed.

### 3.10 Flue gas outlet and combustion air suction

#### START KI (fig. 9)

The discharge pipeline and connection to the flue must comply with current local and national standards and legislation.

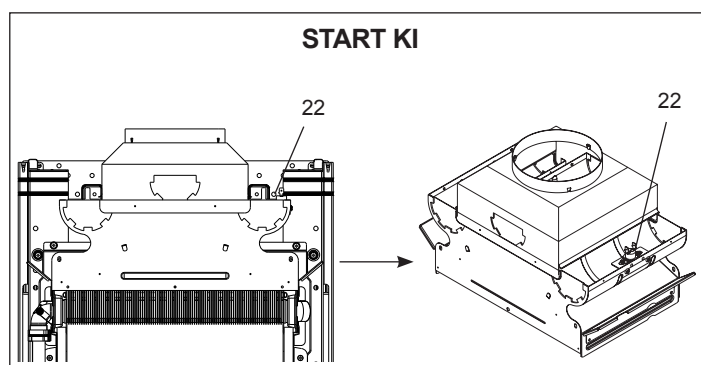
Use rigid ducts. Joints between parts must be airtight. All components must be resistant to high temperatures, condensate and mechanical stress.

⚠ These boilers are equipped with a fumes thermostat positioned on the right side of the hood. If combustion products are returned, this device immediately shuts down operation of the boiler.

⚠ The combustion air vents must comply with current technical standards.

⚠ Discharge ducts without insulation are a potential source of danger.

⚠ Do not seal off or reduce the size of the air vents in the room where the boiler is installed.



#### START KIS (fig. 10a-b-c-d-e-f-g-h)

The boilers must have appropriate ducts for fumes outlet and air intake, according to the type of installation. Ducts are an integral part of the boiler but are supplied in separate kits, for improved installation flexibility.


⚠ The maximum lengths of the ducts refer to flue systems available in the catalogue.


#### "FORCED OPEN" INSTALLATION (TYPE B22P-B52P)


##### Fumes outlet duct $\varnothing 80 \text{ mm}$ (fig. 10c)

The fumes outlet duct can be aimed in the most suitable direction for installation needs. To install follow the instructions supplied with the kit. In this configuration, the boiler is connected to the  $\varnothing 80 \text{ mm}$  fumes outlet duct by means of a  $\varnothing 60\text{-}80 \text{ mm}$  adaptor.

When necessary, the flue gas flange (A), must be removed or replaced using a screwdriver as a lever.

 In this case, the combustion supporting air is taken from the room in which the boiler is installed, which must be a suitable and ventilated technical room.

 Non-insulated fumes outlet ducts are potential sources of danger.

 It is appropriate to install a condensate collector and specific pipes. In this case realize an inclination of 3° to the condensate collector.

**24 KIS**

Max length fumes outlet duct Ø 80 mm	Flue gas flange (ø)	Load losses	
		45° bend	90° bend
up to 8m	44 (*)	1,2m	1,7m
from 8m to 25m	not installed		

**28 KIS**

Max length fumes outlet duct Ø 80 mm	Flue gas flange (ø)	Load losses	
		45° bend	90° bend
up to 4m	43	1,2m	1,7m
from 4m to 9m	45 (*)		
from 9m to 15m	47		
from 15m to 21m	not installed		

**35 KIS**

Max length fumes outlet duct Ø 80 mm	Flue gas flange (ø)	Load losses	
		45° bend	90° bend
up to 5m	49 (*)	1,2m	1,7m
from 5m to 12m	not installed		

(\*) fitted in the boiler

**“SEALED” INSTALLATION (TYPE C)**


The boiler must be connected to concentric or twin fumes discharge and air intake ducts which must both be taken outside. Do not use the boiler without them.

**Concentric outlets (ø 60-100, fig. 10d)**

The concentric outlets can be placed in the most suitable direction according to room requirements.

For installation, follow the instructions supplied with the kit.

When necessary, the flue gas flange (A), must be removed or replaced using a screwdriver as a lever.

 It is appropriate to install a condensate collector and specific pipes. In this case realize an inclination of 3° to the condensate collector.

**24 KIS**

Max linear length concentric duct Ø 60-100 mm	Flue gas flange (ø)	Load losses	
		45° bend	90° bend
up to 2,35m	44 (*)	1,0m	1,5m
from 2,35m to 4,25m	not installed		

**28 KIS**

Max linear length concentric duct Ø 60-100 mm	Flue gas flange (ø)	Load losses	
		45° bend	90° bend
up to 0,85m	43	1,0m	1,5m
from 0,85m to 1,70m	45 (*)		
from 1,70m to 2,70m	47		
from 2,70m to 3,40m	not installed		

**35 KIS**

Max linear length concentric duct Ø 60-100 mm	Flue gas flange (ø)	Load losses	
		45° bend	90° bend
up to 0,85m	49 (*)	1,0m	1,5m
from 0,85m to 2,3m	not installed		

(\*) fitted in the boiler

**Concentric outlets (ø 80-125, fig. 10g)**

The boiler has been designed to be connected to concentric outlet/suction pipes and with the opening for air suction closed.

The concentric outlets can be placed in the most suitable direction according to room requirements, complying with the maximum lengths indicated in the table.

For installation, follow the instructions supplied with the kit.

To go through the wall, drill a hole of Ø 130 mm.

According to the length of the pipes used, it is necessary to insert a flange selecting from those contained in the boiler.

Pay special attention to external temperature and pipe length. Refer to the diagram (fig. 10h) in order to establish if it is compulsory or not to use a condensation collector. In case of operation at temperature lower than 60 °C, it is compulsory to use a condensation collector. If a condensation collector is used, provide a slope of the flue exhaust pipe of 3° towards the collector.

Connect the condensation trap syphon to a white water outlet pipe.

Non insulated outlet pipes are potential sources of danger.

**24 KIS**

Max linear length concentric duct Ø 80-125 mm	Flue gas flange (ø)	Load losses	
		45° bend	90° bend
from 0,96 to 7,85 m	44 (*)	1,35m	2,2m
from 7,85 to 12,4 m	not installed		

**28 KIS**


Max linear length concentric duct Ø 80-125 mm	Flue gas flange (ø)	Load losses	
		45° bend	90° bend
from 0,96m to 2,9m	43	1,35m	2,2m
from 2,9m to 5,20m	45 (*)		
from 5,20m to 7,10m	47		
from 7,10m to 10m	not installed		

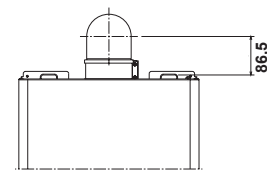
**35 KIS**

Max linear length concentric duct Ø 80-125 mm	Flue gas flange (ø)	Load losses	
		45° bend	90° bend
from 0,96m to 2m	49 (*)	1,35m	2,2m
from 2m to 5,85m	not installed		

(\*) fitted in the boiler

**START 24 KIS - reduced concentric bend**

 If it is necessary to install the boiler on systems already existing (replacement types Residence KIS), there is a “reduced concentric bend kit” available that allows positioning the boiler by keeping the same flue gas hole.




Pipe length with reduced bend (m)	Flue gas flange (A)	Load losses fort esch bend (m)	
		45°	90°
up to 1,85	Ø 44 (**)	1	1,5
from 1,85 to 4,25	not installed		


**Twin outlets (ø 80, fig. 10e)**

Twin outlets can be placed in the most suitable direction according to the room requirements.

Remove the closure plug secured with the screws and use the specific adaptor for the combustion air intake pipe (E).

 The air inlet adaptor Ø 80 (E) must be correctly directed, it is necessary to fasten it with the appropriate screws, so that the positioning flap does not interfere with the shell.

When necessary, the flue gas flange (A), must be removed using a screwdriver as a lever. The table indicates the permitted linear lengths. According to the length of the pipes used, it is necessary to insert a flange, selecting one from those contained in the boiler (see the following table).

 It is appropriate to install a condensate collector and specific pipes. In this case realize an inclination of 3° to the condensate collector.

**24 KIS**

Max length twin duct Ø 80 mm	Flue gas flange (ø)	Load losses	
		45° bend	90° bend
up to 6 + 6m	44 (*)	1,2m	1,7m
from 6m + 6m to 16m + 16m	not installed		

**28 KIS**

Max length twin duct Ø 80 mm	Flue gas flange (ø)	Load losses	
		45° bend	90° bend
up to 3m + 3m	43	1,2m	1,7m
from 3m + 3m to 7m + 7m	45 (*)		
from 7m + 7m to 11m + 11m	47		
from 11m + 11m to 14,5m + 14,5m	not installed		

**35 KIS**

Max length twin duct Ø 80 mm	Flue gas flange (ø)	Load losses	
		45° bend	90° bend
up to 4m + 4m	49 (*)	1,2m	1,7m
from 4m + 4m to 8m + 8m	not installed		

(\*) fitted in the boiler

**POSSIBLE OUTLET CONFIGURATIONS (fig. 10a)**

**B22P-B52P** Suction indoors and discharge outdoors.

**C12-C12x** Discharge via concentric wall outlet. The pipes may leave the boiler independently, but the outlets must be concentric or sufficiently close together to be subjected to similar wind conditions (within 50 cm).

**C32-C32x** Discharge via concentric roof outlet. Outlets as for C12.

**C42-C42x** Discharge and suction in common separate smoke pipes, but subjected to similar wind conditions.

**C52-C52x** Separate discharge and suction lines on wall or roof and in areas with different pressures. The discharge and suction lines must never be positioned on opposite walls.

**C82-C82x** Discharge via single or common smoke pipe and wall suction line.

**C92-C92x** Discharge on roof (similar to C32) and air suction from a single existing smoke pipe.

**3.11 System filling and emptying (fig. 11)**

Once the hydraulic connections have been made, the system can be filled.

**FILLING**

- Open the automatic air vent valve cap by two or three turns (A)
- Ensure that the cold water inlet valve is open
- Open the filling tap (B) until the pressure on the hydrometer is between 1 and 1.5 bar
- Close the filling tap.

**NOTE:** air in the boiler is bled automatically via the automatic air vent valve on the pump. Ensure that the valve of the air vent valve is open.

**EMPTYING**

- Before emptying, disconnect the electric power supply by switching the main system switch to "OFF".
- Close the cold water inlet valve.

**a) Heating system:**

- Close all shut-off devices of the heating circuit
- Connect the pipe supplied as standard to the discharge valve (C)
- Loosen the discharge valve (C)

**b) DHW system:**

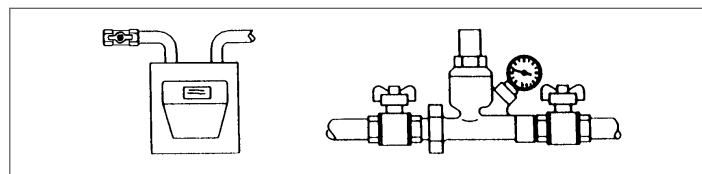
- Open the hot and cold water utility valves and empty from the lowest points.

**!** The safety valve outlet (D) must be connected to a suitable disposal system. The manufacturer declines all liability for any flooding caused by the safety valve.

**4 - COMMISSIONING AND MAINTENANCE****4.1 Preparation for initial commissioning**

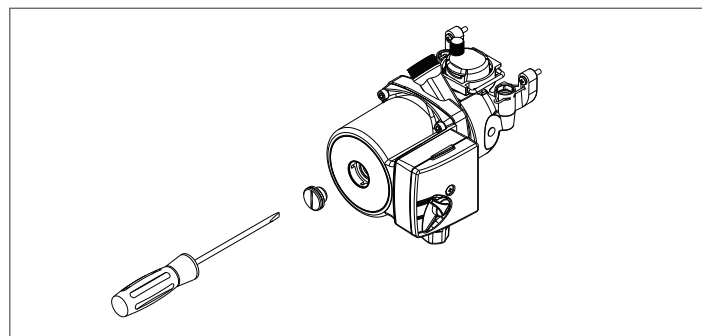
Before the ignition and functional testing of the boiler, it is essential to check that:

- the system gas and water valves are open



- the type of gas and the supply pressure comply with the boiler specifications
- the vent valve cap is open
- the hydraulic circuit pressure, when cold, is between 1 and 1.5 bar and the circuit is de-aerated
- preloading of the expansion tank is adequate (refer to the data table)
- the electrical connections have been made correctly
- the flue gas discharge ducts and the combustion air suction vents have been fitted correctly
- the pump can rotate freely: unscrew the inspection screw and use a slotted screwdriver to check that the rotor shaft moves freely.

Before loosening or removing the pump cap, protect the electric devices underneath from any leaks.

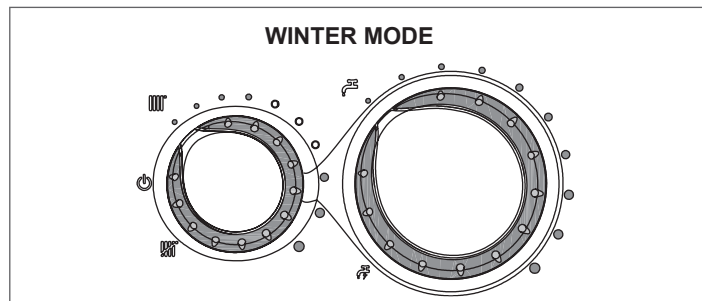
**4.2 First start-up**

To turn on the boiler:

- Connect the boiler to the mains
- Open the gas valve, to enable the gas supply
- Adjust the room thermostat to the desired temperature (~20°C)

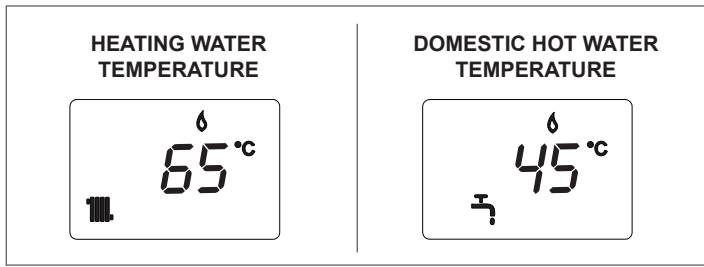
Turn the function selector to the required setting:


**WINTER:** turn the function selector to within the adjustment range. The boiler produces domestic hot water and heating water. The boiler lights automatically in response to a heat request. The digital display indicates the heating water temperature. The boiler lights automatically in response to a request for domestic hot water. The display indicates the domestic hot water temperature

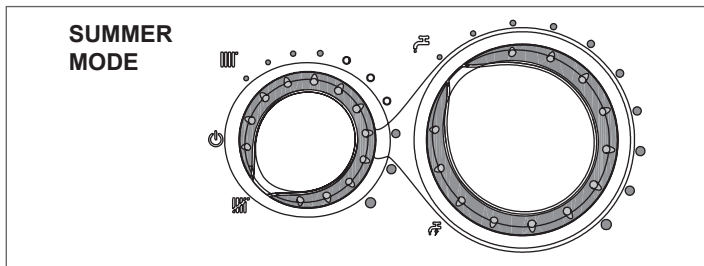


**ADJUSTMENT OF HEATING WATER TEMPERATURE**



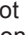
To adjust the heating water temperature, turn the mode selector to within the adjustment range (turn clockwise to increase the value and anticlockwise to reduce the value).

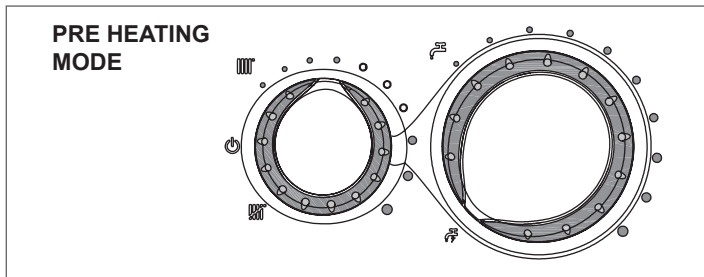


**SUMMER:** the standard domestic hot water-only mode is activated by turning the selector to the summer symbol , the boiler lights automatically in response to a request for domestic hot water. The digital display indicates the temperature of the domestic hot water.




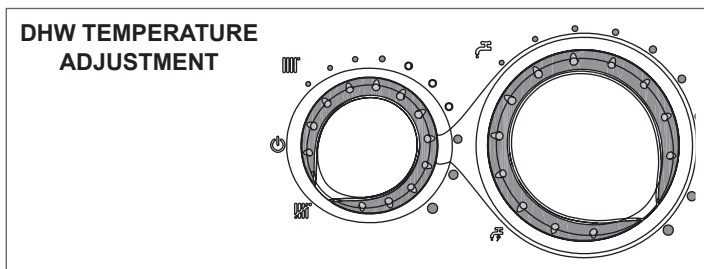
**PRE-HEATING (faster hot water)**

Turning the domestic hot water adjustment knob to the symbol  activates the pre-heating function. Bring the domestic hot water temperature adjustment knob back to the required position. This function keeps the water in the domestic hot water exchanger to reduce standby times when a request is made. When the pre-heating function is enabled, the display shows the symbol **P**. The display indicates the outlet temperature of the heating water or the domestic hot water based upon the request in progress. During burner ignition, following a pre-heating request, the monitor shows the flashing **P** symbol. To deactivate the pre-heating function, rotate the domestic hot water temperature adjustment knob back to the symbol . The symbol **P** switches off. Return the domestic hot water temperature adjustment knob to the desired position. The function is not active when the boiler is OFF: function selector on  OFF



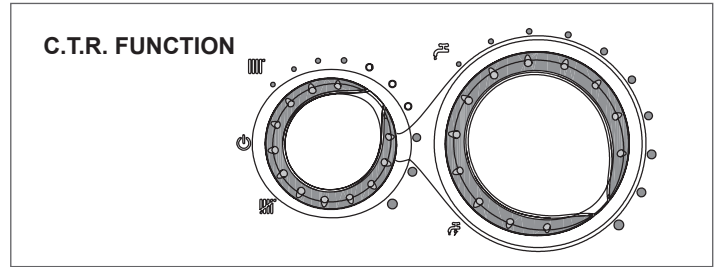
**DHW temperature adjustment**

To adjust the domestic hot water temperature (for baths, showers, kitchen etc.), turn the dial with the  symbol clockwise to increase the value, or anticlockwise to decrease the value (mi. value 37°C - max. value 60 °C). The boiler is in standby until the burner switches on following a heat request. The boiler continues to function until the temperatures set on the boiler are reached, or the heat request terminates; it will then go back to standby. In the case of a temporary stop the digital display shows the fault code.




**Heating Temperature Control function (C.T.R.)**

Turn the heating water temperature selector into sector highlighted with white markers to activate the H.T.C. self-adjusting system: based on the temperature set on the ambient thermostat and the time employed to reach it, the boiler varies automatically the heating water temperature reducing the operating time, allowing great operation comfort and energy saving.



**Unblock function**

To restore operation, turn the function selector to  OFF, wait 5-6 seconds and then set the function selector to the required position. The boiler restarts automatically.

**NOTE:** if the unblock attempts do not restart the boiler, contact the Technical Support Centre.

**4.3 Checks during and after commissioning**

After commissioning, ensure that the **START** boiler runs the start-up and subsequent shutdown procedure correctly using the:

- function selector
- calibration of the heating water temperature selector and DHW temperature selector
- required room temperature (adjusting the room thermostat or timer).

Check operation in DHW mode by opening a hot water tap with the function selector set to Summer mode and to Winter mode.

Check that the boiler stops completely when turning the main system switch to "OFF".

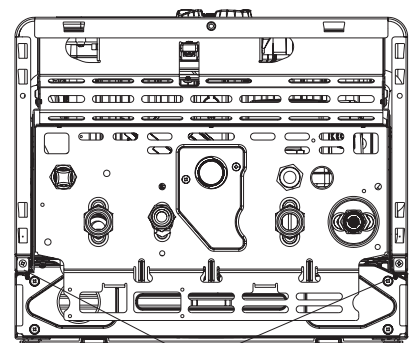
Operate the appliance continuously for a few minutes by turning the main switch to "ON", setting the function selector to Summer and keeping the DHW utility tap on. The processing binders and residue evaporate and the following can be checked:

- supply gas pressure
- combustion.

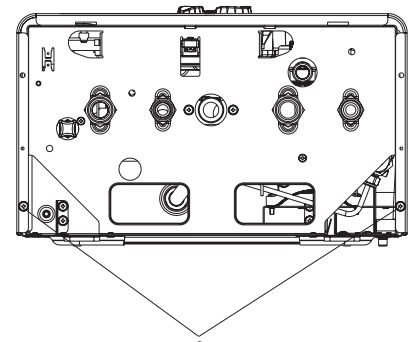
**Supply gas pressure check**

- Turn the main system switch to "OFF".
- Unscrew the case screws (A).

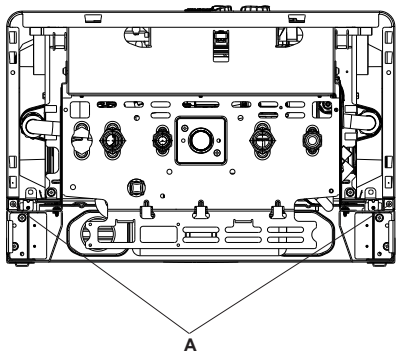
**START 28 KI-28 KIS**



**START 24 KIS**

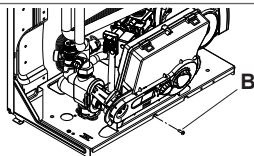


**START 35 KIS**

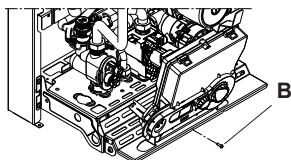


- Move the bottom of the case forward and then upwards to detach it from the frame.
- Unscrew the panel screws (B).
- Turn the control panel forwards.

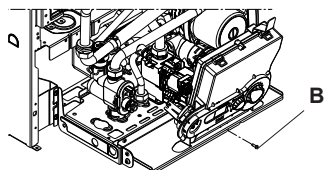
**START 24 KIS**



**START 28 KI  
28 KIS**



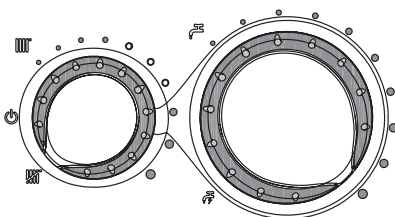
**START 35 KIS**



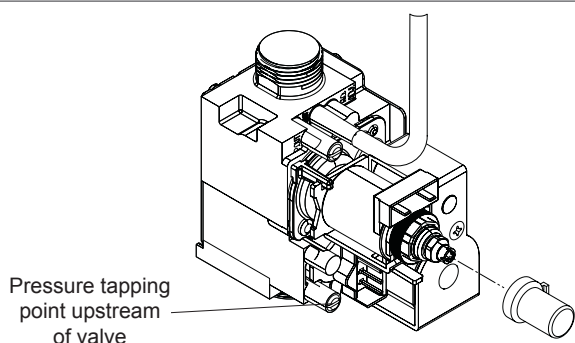
- Unscrew the tapping point screw upstream of the gas valve by approximately two turns and connect a pressure gauge.

On the control panel:

- set the function selector to Summer mode and the DHW temperature selector to the maximum



- turn the boiler on by setting the main switch to "ON"
- open the hot water cock to the maximum flow rate
- with the burner lit at the maximum output, check that the gas pressure is between the minimum and the nominal supply values as specified in the multigas table
- turn off the hot water tap
- disconnect the pressure gauge and tighten the pressure tapping point upstream of the gas valve.



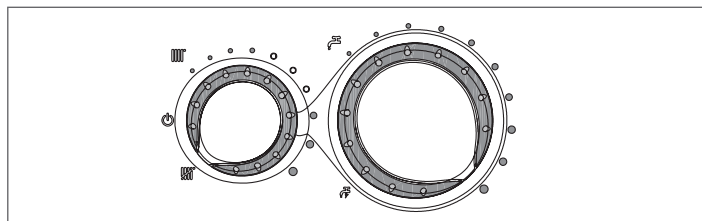
**Combustion check**

**START KI**

- Install the "Flue analysis collection" kit in the straight pipe section after the hood output, at least 400-500 mm from the hood (as envisaged by current standards). To install, follow the instructions supplied with the kit.
- Turn the main system switch to "OFF".
- Set the function selector to Summer mode and the DHW temperature selector to the maximum.
- Turn the boiler on by setting the main switch to "ON".
- Open the hot water tap to the maximum flow rate.
- With the boiler at the maximum output, you can check combustion.

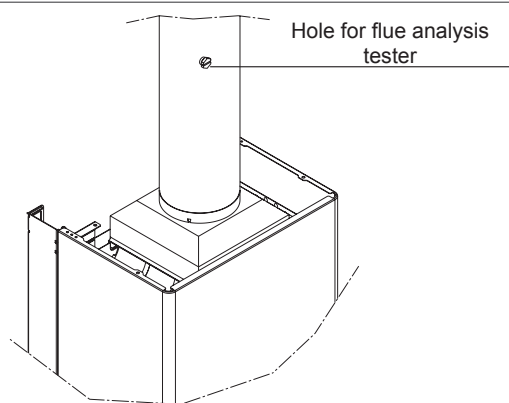
**START KIS**

- Open the hot water tap to the maximum flow rate
- Set the function selector to Summer mode and the DHW temperature selector to the maximum
- Turn the boiler on by setting the main switch to "ON"
- With the boiler at the maximum output, you can check combustion

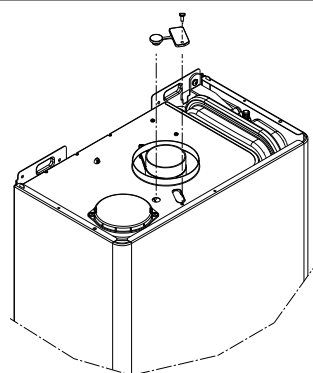


- On completion of the check, shut off the hot water tap.
- Remove the tester sensor and close the test point.
- Close the panel and refit the case, following the disassembly procedure described above in reverse order.

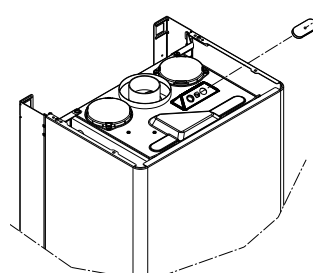
**START 28 KI**



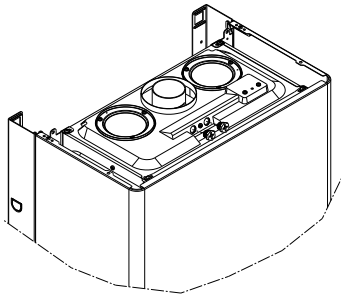
**START 24 KIS**



**START 28 KIS**



**START  
35 KIS**



At the end of the checks:

- set the function selector to Summer or Winter according to the current time of year
- adjust the selectors as required by the client.

**!** The **START** boiler is supplied to operate with natural gas and can be converted for use with LPG. It has been factory set as specified on the technical data plate and does not require any calibration.

**!** All checks and inspections must be carried out exclusively by the Technical Assistance Service.

**4.4 Display and fault codes**

BOILER STATUS	DISPLAY	ALARM TYPE
OFF status	OFF	None
Stand-by	-	Warning
ACF module block alarm	A01 ✕	Permanent block
ACF electronics fault alarm	A01 ✕	Permanent block
Limit thermostat alarm	A02	Permanent block
Fumes thermostat alarm (KI)	A03	Permanent block
Differential air pressure switch alarm (KIS)	A03	Permanent block
Water pressure switch alarm	A04	Permanent block
DHW NTC fault	A06	Warning
NTC fault (heating)		Temporary stop
Heating delivery sensor over-temperature	A07	Temporary then permanent
Delivery/return sensor differential alarm		Permanent block
Parasite flame	A11	Temporary stop
Low temperature systems thermostat alarm	A77	Temporary stop
Transitory awaiting ignition	80°C (flashing)	Temporary stop
Water pressure switch trip	(flashing)	Temporary stop
Service calibration	ADJ	Warning
Installer calibration	ADJ	Warning
External sensor detected		Warning
DHW request	60°C	Warning
Heating request	80°C	Warning
Anti-freeze heat request		Warning
Flame detected		Warning


**To restore operation (unblock alarms):**


**Faults A01-02-03**

Set the function selector to OFF , wait 5-6 seconds and return to the required setting.

If the unblock attempts do not reactivate the boiler, please request support from the Technical Assistance Service.

**Fault A04**

The digital display shows the fault code together with the symbol . Check the pressure shown on the water gauge:

If the pressure is less than 0.3 bar, set the function selector to  (OFF) and adjust the filling valve until the pressure is between 1 and 1.5 bar.

Turn the function selector back to the required setting.

If there are frequent drops in pressure, please request support from the Technical Assistance Service.

**Fault A06**

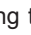
The boiler operates normally but does not guarantee a stable domestic hot water temperature, which is set to around 50°C.

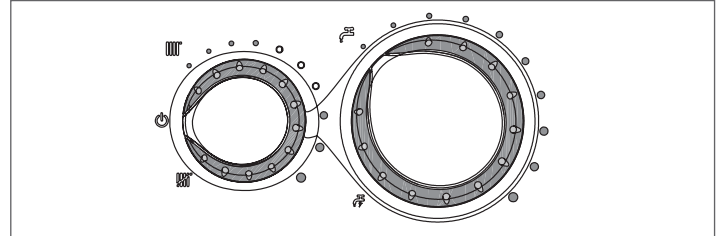
Please request support from the Technical Assistance Service.

**Fault A07**

Please request support from the Technical Assistance Service.

**4.5 Temporary shutdown**

During temporary absences, weekends, short holidays etc., set the function selector to  (OFF).



With the power mains ON and the gas supply active, the boiler is protected by the systems:

**- Anti-freeze**


This function is activated if the boiler water temperature falls below 5°C. The pump runs a 15 minute cycle every 2 hours as follows: the pump stops when the boiler water temperature exceeds 10°C; the burner is ignited to the minimum in heating mode when the boiler water temperature falls below 5°C until the water temperature reaches 30°C, after which a post-pump phase runs for 30 seconds.

**- Pump anti-block function**

The pump is activated every 24 hours of standby and, in any event, 3 hours after the last DHW request.

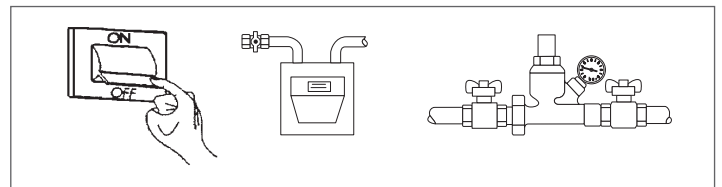
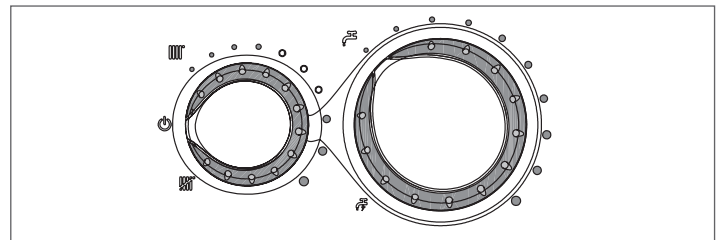
**4.6 Shutdown for long periods**

If the **START** boiler will not be used for a long period of time:

- set the function selector to  (OFF-unblock)
- turn the main system switch to "OFF"
- close the heating and domestic hot water system gas and water cocks.

**!** The anti-freeze and pump anti-block functions are disabled.

**!** Empty the heating and DHW circuit if there is a risk of freezing.



**4.7 Maintenance**

Periodic maintenance is an "obligation" required by law and is essential to the safety, efficiency and lifetime of the boiler.

It allows for the reduction of consumption, polluting emissions and keeping the product reliable over time.

Before starting maintenance operations:

- Perform the analysis of the combustion products to check the boiler operation status then cut the electrical supply by turning off the system's general switch
- Close the fuel and water taps of the heating and domestic hot water system.

The appliance must be systematically controlled at regular intervals to make sure it works correctly and efficiently and conforms to legislative provisions in force.

The frequency of controls depends on the conditions of installation and usage, it being anyhow necessary to have a complete check carried out by authorized personnel from the Servicing Centre every year.

- Check and compare the boiler's performance with the relative specifications. Any cause of visible deterioration must be immediately identified and eliminated.
- Closely inspect the boiler for signs of damages or deterioration, particularly with the drainage and aspiration system and electrical apparatus.
- Check and adjust – where necessary – all the burner's parameters.
- Check and adjust – where necessary – the system's pressure.
- Analyze combustion. Compare results with the product's specification. Any loss in performance must be identified and corrected by finding and eliminating the cause.
- Make sure the main heat exchanger is clean and free of any residuals or obstruction; if necessary clean it.
- Check and clean – where necessary – the condensation tray to make sure it works properly.

**!** Always switch off the power to the appliance and close the gas by the gas cock on the boiler before carrying out any maintenance and cleaning jobs on the boiler.

**!** After performing the necessary maintenance operations, the original adjustments must be restored and the combustion product analysis must be performed to check the correct operation.

**!** Do not clean the appliance or any latter part with flammable substances (e.g. petrol, alcohol, etc.).

**!** Do not clean panelling, enamelled and plastic parts with paint solvents.

**!** Panels must be cleaned with ordinary soap and water only.

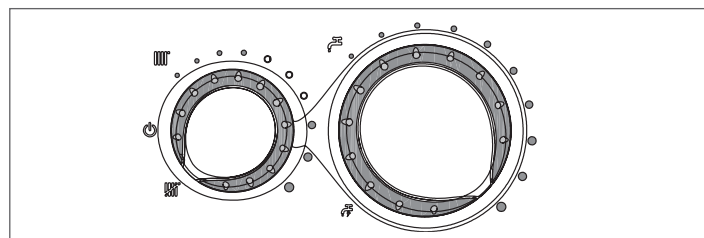
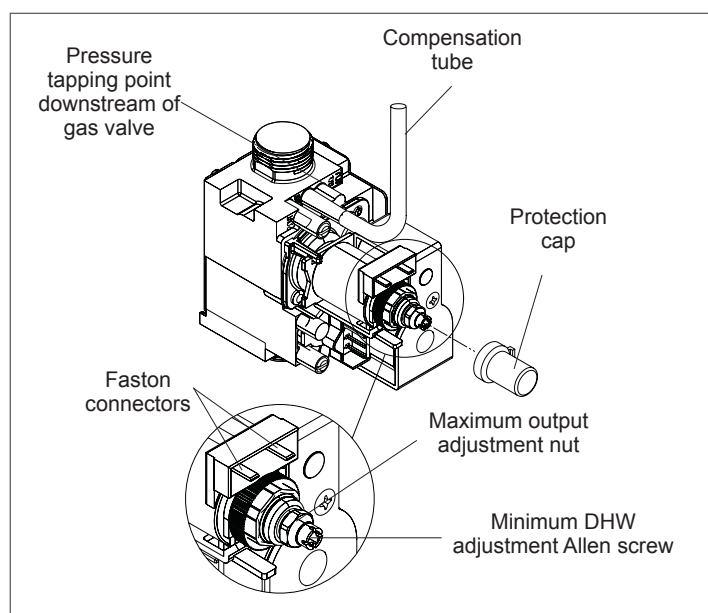
#### 4.8 Adjustments

**START** boilers are supplied for operation with natural gas and are factory-set as specified on the technical data plate.

However, if it is necessary to repeat the adjustments, for example after non-scheduled maintenance, replacing the gas valve or after conversion from natural gas to LPG, or vice versa, proceed as described below.

The minimum and maximum output and the maximum heating settings must be set in the specified sequence and exclusively by qualified technicians.

- Turn the main system switch to "OFF".
- Remove the case unscrewing the fixing screw.
- Unscrew the panel screw and turn the control panel forwards.
- Unscrew the tapping point screw downstream of the gas valve by approximately two turns and connect a pressure gauge.
- Disconnect the compensation tube from the air chamber (only KIS model).



#### Maximum and minimum DHW output setting


- Open the hot water tap to the maximum flow rate.
- On the control panel, set the function selector to  "Summer mode" and set the DHW temperature selector to the maximum.
- Turn the boiler on by setting the main switch to "ON".
- Check that the pressure reading on the gauge is stable. If the reading is not stable, use a milli-ammeter (in series with a modulator wire) to check that the maximum available current is delivered to the modulator (120 mA for G20, and 165 mA for LPG).
- Remove the protection cap from the adjustment screws carefully using a screwdriver.
- Using a fork wrench CH10, turn the adjustment nut for maximum output to obtain the value specified in **table 1**.

TABLE 1

Maximum pressure downstream of valve (tolerance $\pm 10\%$ )	NATURAL GAS (G20)	LIQUID GAS		
		BUTANE (G30)	PROPANE (G31)	
START 28 KI	12,70	27,00	35,20	mbar
START 24 KIS	11,80	27,80	35,80	mbar
START 28 KIS	11,30	28,00	36,00	mbar
START 35 KIS	9,60	-	35,00	mbar

- Disconnect a faston clamp from the modulator.
- Wait for the pressure on the gauge to stabilise at the minimum value.
- Use a hex wrench – taking care not to press the internal shaft – to adjust the red screw for the DHW minimum setting and calibrate until the gauge shows the value specified in **table 2**.

TABLE 2

Minimum pressure downstream of valve (tolerance $\pm 10\%$ )	NATURAL GAS (G20)	LIQUID GAS		
		BUTANE (G30)	PROPANE (G31)	
START 28 KI	1,00	2,30	2,90	mbar
START 24 KIS	1,50	3,30	4,30	mbar
START 28 KIS	1,60	3,60	4,80	mbar
START 35 KIS	1,10	-	4,40	mbar

- Reconnect a faston clamp on the modulator.
- Close the domestic hot water tap.

#### Electrical setting of minimum and maximum heating

**!** The "electrical setting" function is activated and deactivated exclusively by the jumper (JP1).

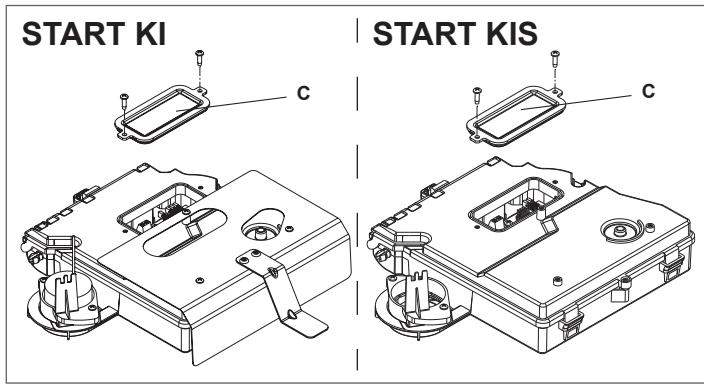
The function can be enabled by:

- powering up the board with jumper JP1 wired in, and the function selector set to Winter, regardless of whether other operating requests are active or not
- wiring in jumper JP1, with the function selector set to Winter, without any heating requests in progress.

**!** Activating the function involves starting up the burner by simulating a heating request.

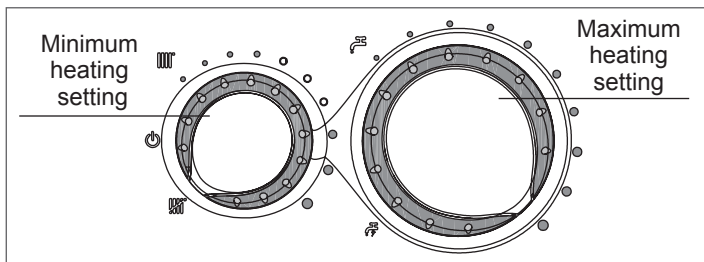
To calibrate:

- turn the boiler off
- remove the casing, press the side buttons on the control panel and then rotate it forward



- unscrew the screws to access the board
- wire in jumper JP1 to enable the dials on the control panel for setting the minimum and maximum heating values.
- ensure that the function selector is set to Winter
- connect the boiler to the mains

⚠ Electrical board powered (230 V).



- Turn the heating water temperature dial to the minimum heating value as specified in **table 3**

**TABLE 3**

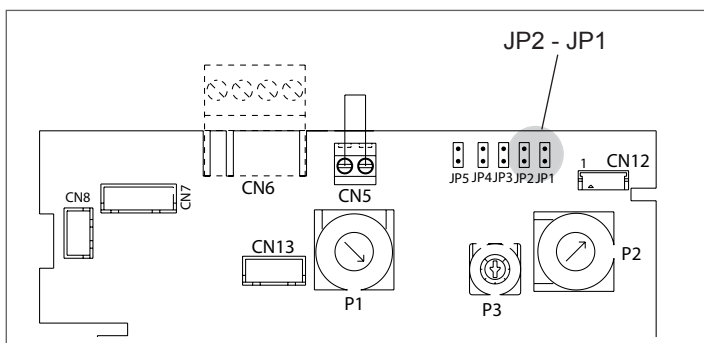
Minimum pressure in heating mode downstream of valve (tolerance $\pm 10\%$ )	NATURAL GAS (G20)	LIQUID GAS		
		BUTANE (G30)	PROPANE (G31)	
START 28 KI	2,60	5,50	7,10	mbar
START 24 KIS	1,50	3,30	4,30	mbar
START 28 KIS	2,25	5,20	6,80	mbar
START 35 KIS	1,10	-	4,40	mbar

- Wire in jumper JP2
- Turn the DHW temperature adjustment dial to the maximum heating value as specified in **table 4**.

**TABLE 4**

Maximum pressure in heating mode downstream of valve (tolerance $\pm 10\%$ )	NATURAL GAS (G20)	LIQUID GAS		
		BUTANE (G30)	PROPANE (G31)	
START 28 KI	12,70	27,00	35,20	mbar
START 24 KIS	11,80	27,80	35,80	mbar
START 28 KIS	11,30	28,00	36,00	mbar
START 35 KIS	9,60	-	35,00	mbar

- Remove jumper JP2 to memorise the maximum heating value
- Remove jumper JP1 to memorise the minimum heating value and to exit the calibration procedure
- Connect the compensation tube to the air chamber (only KIS model)
- Disconnect the pressure gauge and refit the tapping point screw.



- ⚠ To terminate calibration without memorising the set values either:
  - a) set the function selector to  $\text{OFF}$  (OFF-unblock)
  - b) turn off the power supply.

⚠ Calibration is completed automatically, without memorising the minimum or maximum values, 15 minutes after activation.

⚠ The function is also terminated automatically in the event of a shutdown or permanent block. Again, values are NOT memorised.

**NOTE:** to calibrate only the maximum heating value, remove jumper JP2 (to memorise the maximum value) and then exit the function without memorising the minimum value by setting the function selector to  $\text{OFF}$  or by turning the boiler off at the mains.

⚠ After any intervention on the gas valve adjustment component, seal with sealing paint.

#### 4.9 Converting from one gas type to another

The boiler is supplied to operate with natural gas according to the specifications on the technical data plate.

However, it may be converted from one type of gas to another by using the special kits available on request.

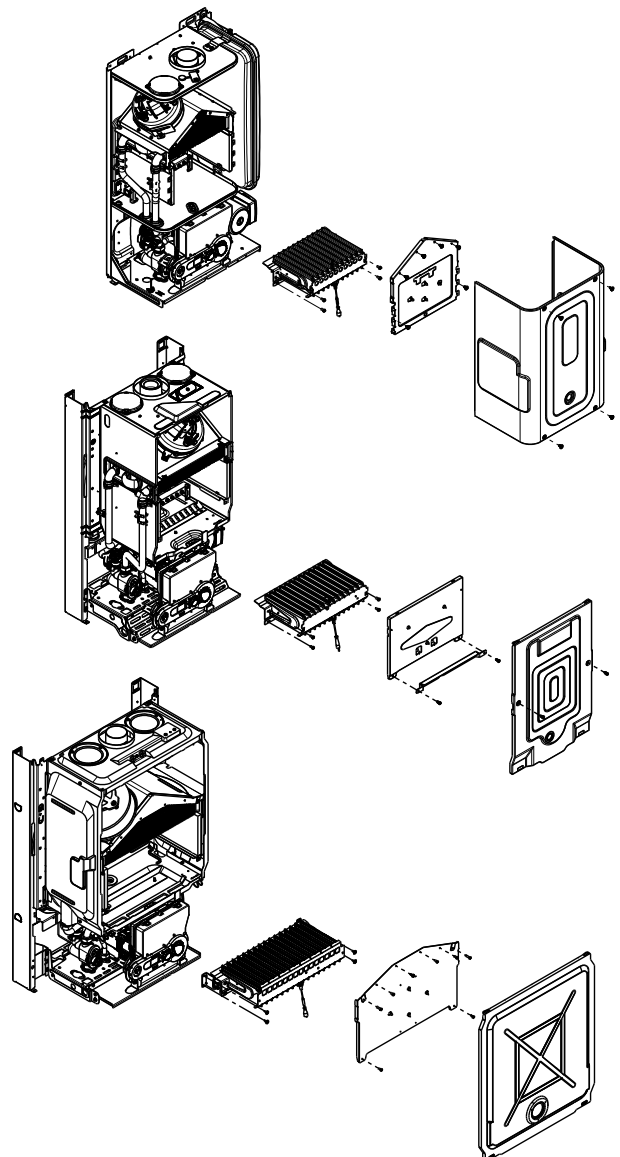
- Natural gas conversion kit
- LPG conversion kit.

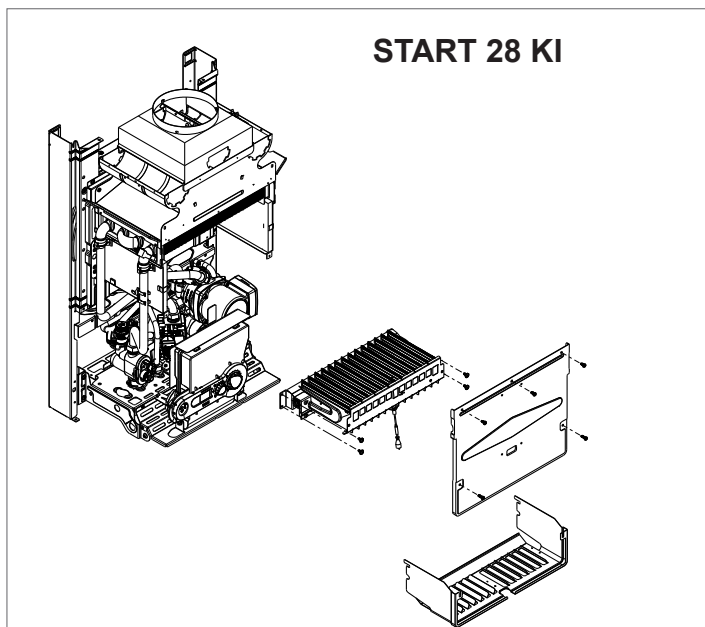
⚠ This conversion procedure must only be carried out by the Technical Assistance Service or by personnel authorised, also once the boiler has been installed.

⚠ For information on the assembly, please refer to the instructions supplied with the kit.

⚠ After converting the boiler, it must be adjusted again. Follow the instructions in the relevant paragraph and apply the new identification data plate supplied in the kit.

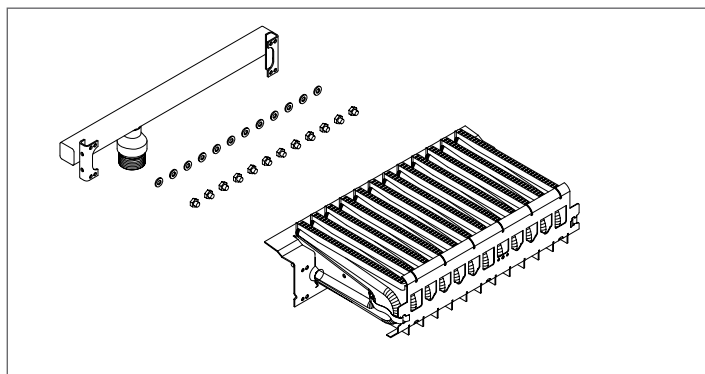
#### START 24 - 28 - 35 KIS





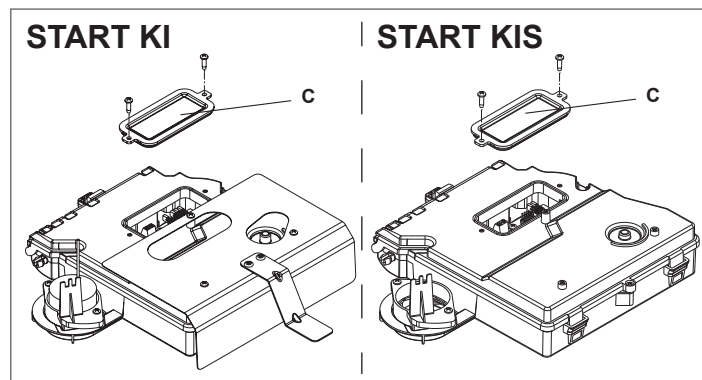
#### If converting from natural gas to LPG:

- Turn off the power to the boiler and shut off the gas valve
- Remove the following in sequence:
  - START KI:** case, lower shell and combustion chamber cover
  - START KIS:** case, air chamber cover and combustion chamber cover
- Disconnect the spark plug wire
- **START KI:** unscrew the burner screws and remove the burner with the spark plug attached
- **START KIS:** remove the cable gland from the air chamber, unscrew the burner screws and remove the burner with the spark plug and cables attached
- Using a box spanner or fork wrench, remove the nozzles and washers and replace them with those supplied in the kit



**!** Use and fit the washers supplied in the kit only, even for manifolds without washers.

- Refit the burner in the combustion chamber and tighten the screws securing it to the gas manifold
- **START KIS:** position the cable gland with the spark plug wires on the air chamber
- Reconnect the spark plug wire
- Refit:
  - START KI:** combustion chamber cover and the lower shell
  - START KIS:** combustion chamber cover and air chamber cover
- Turn the control panel forwards
- Remove the cover (C) to access the control board



**To convert from natural gas to LPG:** wire in a jumper in position JP3.

**To convert from LPG to natural gas:** remove the jumper from position JP3.

- Turn the boiler on again and reopen the gas valve.
- Adjust the boiler as explained in the chapter "Adjustments". This must be done exclusively by the Technical Assistance Service.
- Close the cover.
- Apply the adhesive gas identification label supplied in the kit, to replace the previous version.
- Refit the case.

#### 4.10 Boiler cleaning

Before cleaning, disconnect the electric power supply by switching the main system switch to "OFF".

##### External cleaning

Clean the casing, the control panel, the painted parts and the plastic parts with damp, soapy cloths.

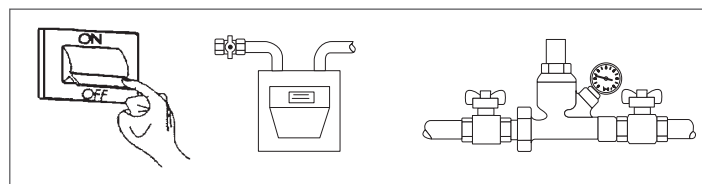
For stubborn stains, dampen the cloth with a 50% water and denatured alcohol mixture, or use specific products.

**⊖** Never use fuel and/or sponges soaked in abrasive solutions or powder detergents.

##### Internal cleaning















Before cleaning the inside:

- shut off the gas valves
- close the system taps.








# USER









## A - General instructions

-  When you receive the product, make sure that it is integral and complete with all its parts. If it does not correspond with the order, please contact the Riello Agency that sold the appliance.
-  The boiler must be installed by a qualified company. Once the appliance has been installed, this company must issue the owner with an installation declaration of conformity, certifying that the installation has been performed professionally, in compliance with all national and local regulations in force, and with the Riello instruction manual supplied with the appliance.
-  The **START KI** boiler must be used for the purpose for which it was designed and produced by the manufacturer. Riello does not accept any contractual or extra-contractual liability for damage caused to people, animals or property, due to incorrect installation, setting, or maintenance, or due to improper use.
-  In the event of a water leak, disconnect the boiler from the electric mains supply, shut-off the water supply and promptly notify the Technical Assistance Service or a professionally qualified technician.
-  Periodically check that the operating pressure of the water supply system is above 1 bar and below the maximum limit specified for the appliance. If this is not the case, please contact the Technical Assistance Service or a professionally qualified technician.
-  **START KI** boilers are equipped with a fumes thermostat positioned on the right side of the hood. If combustion products are returned, this device immediately shuts down operation of the boiler.
-  If the fumes thermostat is tripped, there is a boiler fault. Please contact the Technical Assistance Service immediately.
-  If the boiler will not be used for a prolonged period of time, you must:
  - turn the main appliance switch to "OFF"
  - turn the main system switch to "OFF"
  - shut off the heating system gas and water cocks
  - empty the heating system and the domestic hot water (DHW) system if there is a risk of freezing.
-  Boiler maintenance is to be carried out at least once a year.
-  This manual and the Installer and Technical Assistance Service manual are an integral part of the device and therefore should be carefully preserved and must always accompany the boiler even in the event of its sale to another owner or user or transfer to another facility. If lost or damaged, please request another copy from the Technical Assistance Service for your area.
-  The pump anti-block function is activated after 24 hours of inactivity, with the function selector on any setting.
-  For information on installation, please contact specialist technicians.
-  The air vents are essential for correct combustion and for safety (only KI model).
-  At the end of its lifetime, the product must not be disposed of as solid urban waste but must be delivered to a specialised waste disposal centre for recycling.

## B - Basic safety rules

Please remember that in using products which involve gas, electricity and water, you must adhere to some basic safety requirements:

-  Do not operate electrical devices or appliances such as switches or domestic appliances, etc. if you can smell gas or unburned gas. Should this occur:
  - open the doors and windows to ventilate the room;
  - close the gas shut-off device;
  - call the Technical Assistance Service immediately, or a professionally qualified technician.
-  Do not touch the appliance when barefoot or with any wet parts of the body.
-  Disconnect the appliance from the mains power supply before carrying out any technical intervention or cleaning the appliance. To disconnect the appliance, turn the main system switch to "OFF" and the main boiler switch to "OFF".
-  Do not modify the safety or adjustment devices without prior authorisation or instructions from the manufacturer.
-  Do not pull, disconnect or twist the electrical cables coming from the appliance, even if the appliance is disconnected from the mains electricity supply.

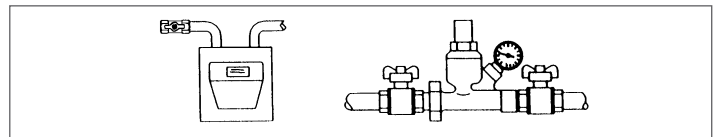
-  Do not seal off or reduce the size of the air vents in the room where the boiler is installed. The air vents are essential for correct combustion.
-  Do not expose the appliance to weathering. It is not designed to operate outdoors.
-  Do not leave containers of flammable substances in the room where the boiler is installed.
-  This appliance may not be used by persons (including children) with reduced physical, sensorial or mental ability or by those with little experience or knowledge of this device, unless they are supervised or trained by the person responsible for its use in complete safety.
-  Dispose of packaging responsibly and keep all packaging material out of the reach of children, as this is a potential source of danger. The packaging material is to be disposed of in accordance with applicable laws.
-  Do not disconnect the boiler from the electrical mains or shut off the gas valve if the temperature could fall below zero, as the first level anti-freeze system (see "Temporary shutdown") would be disabled.
-  Do not modify sealed components.
-  Do not place potentially hazardous objects on the boiler.

## C - Commissioning

The boiler should be started up the first time by the Technical Assistance Service, after which the boiler can operate automatically. However, you may need to start up the boiler again at a later date without involving the Technical Service, for example after a long period of absence.

In these cases:

- Ensure that the heating and domestic hot water system gas and water cocks are open.

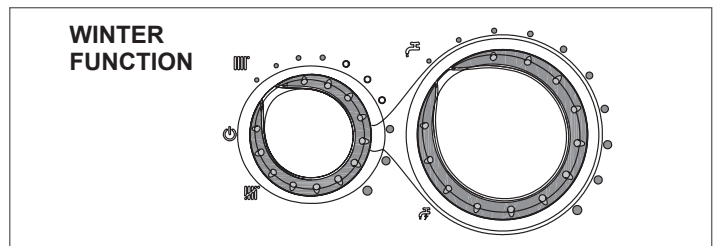


- Check the operating status of the filtering and/or water treatment devices.
- Ensure that the water circuit pressure, in cold conditions, is always between 1 and 1.5 bar.
- Adjust the room thermostat to the required temperature (~20°C) or, if the systems are equipped with a programmable thermostat or a timer, check that it is ON and set (~20°C).

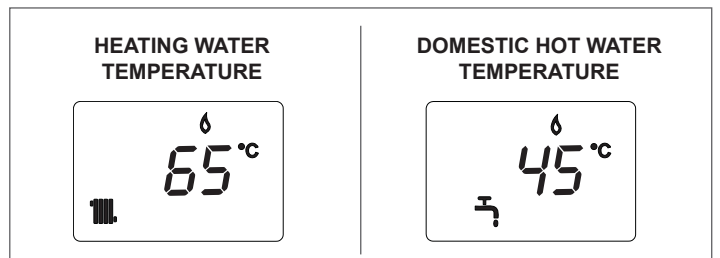
Turn the function selector to the required setting:

### Winter mode


When the function selector is set to within this range, the boiler supplies domestic hot water and heating. In the event of a heating request, the boiler turns on.

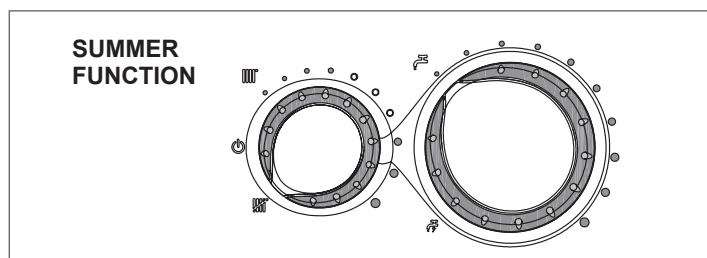


The digital display indicates the heating water temperature. In the event of a DHW request, the boiler turns on. The display indicates the temperature of the domestic hot water.



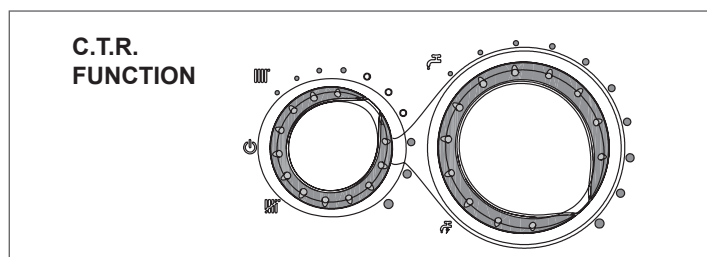
### Summer mode

By turning the function selector to the Summer symbol , the conventional function of only DHW is activated. In the event of a DHW request, the boiler turns on. The digital display indicates the domestic hot water temperature.



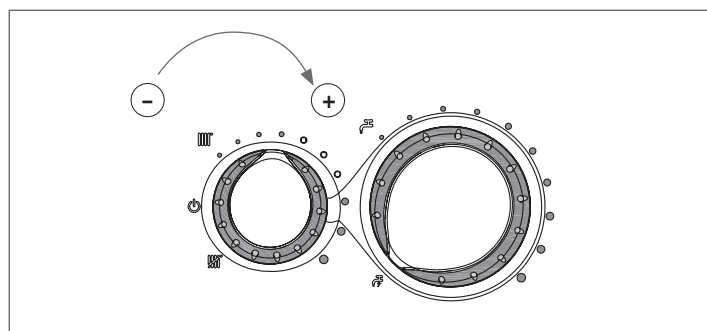
### Heating Temperature Control function (C.T.R.)

When the heating water temperature selector is positioned in the sector indicated in the figure, the C.T.R. self-control function is activated. According to the temperature set on the room thermostat and the time taken to reach this value, the boiler automatically varies the heating water temperature, reducing operating time and enabling increased comfort and energy savings.

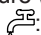


### D - Heating temperature adjustment

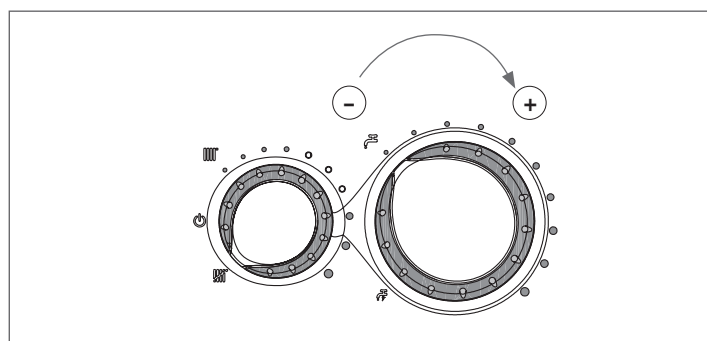
To adjust the temperature of the heating water, turn the function selector within the adjustment range (clockwise to increase and anti-clockwise to decrease).



### E - DHW temperature adjustment

To adjust the domestic hot water temperature (bathrooms, showers, kitchens etc.), turn the dial with the symbol :

- clockwise to increase the value;
- anti-clockwise to decrease the value (min. 37°C, max. 60°C).




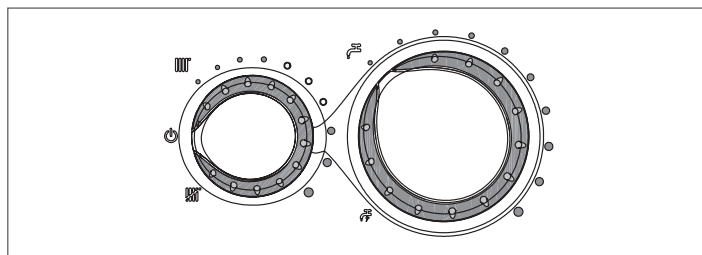
The boiler remains on standby until the burner ignites following a heat request.

The boiler operates until the controlled temperatures are reached or the heat demand is met, after which it returns to standby status.

### F - Temporary shutdown


During temporary absences, weekends, short trips, etc.:

- set the function selector to  (OFF).



With the power mains connected and the gas supply active, the boiler is protected by the systems:

#### Anti-freeze


This function is activated if the boiler water temperature falls below 5°C. The pump runs a 15 minute cycle every 2 hours as follows: the pump stops when the boiler water temperature exceeds 10°C; the burner is ignited to the minimum in heating mode when the boiler water temperature falls below 5°C until the water temperature reaches 30°C, after which a post-pump phase runs for 30 seconds. During the anti-freeze cycle, the  symbol is shown on the digital display.

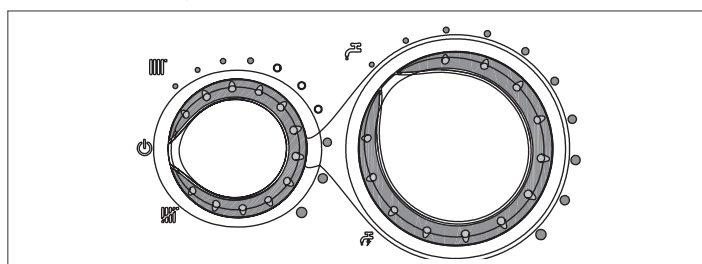
#### Pump anti-block function

The pump is activated every 24 hours of standby and, in any event, 3 hours after the last DHW request.

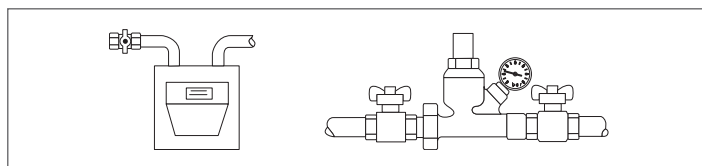
### G - Shutdown for long periods


If the boiler is not used for a long period of time, proceed as follows:


- set the function selector to  (OFF).
- turn the main system switch to "OFF".



- close the heating and domestic hot water system gas and water cocks.










 In this case, the anti-freeze and pump anti-block functions are disabled. Empty the heating and DHW system if there is a risk of freezing.

 The Technical Assistance Service is available in the event of problems in carrying out the above procedure.

### H - Display and fault codes

The boiler operating status is shown on the digital display. The different displays are listed below.

BOILER STATUS	DISPLAY	ALARM TYPE
OFF status	OFF	None
Stand-by	-	Warning
ACF module block alarm	A01 	Permanent block
ACF electronics fault alarm	A01 	Permanent block
Limit thermostat alarm	A02 	Permanent block
Fumes thermostat alarm (KI)	A03 	Permanent block
Differential air pressure switch alarm (KIS)	A03 	Permanent block
Water pressure switch alarm	A04 	Permanent block
DHW NTC fault	A06 	Warning

BOILER STATUS	DISPLAY	ALARM TYPE
NTC fault (heating)		Temporary stop
Heating delivery sensor over-temperature	A07	Temporary then permanent
Delivery/return sensor differential alarm		Permanent block
Parasite flame	A11	Temporary stop
Low temperature systems thermostat alarm	A77	Temporary stop
Transitory awaiting ignition	80°C (flashing)	Temporary stop
Water pressure switch trip	(flashing)	Temporary stop
Service calibration	ADJ	Warning
Installer calibration		
External sensor detected		Warning
DHW request	60°C	Warning
Heating request	80°C	Warning
Anti-freeze heat request		Warning
Flame detected		Warning

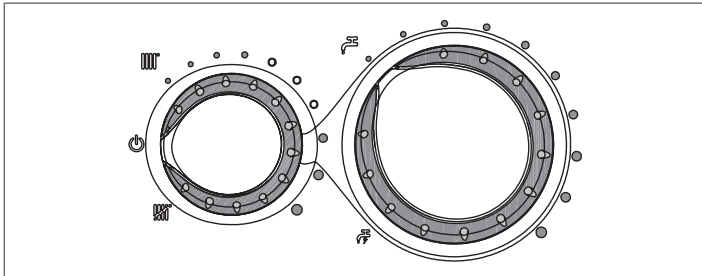
**I - Fault resets**

To restore operation (unblock alarms).

**Faults A01-02-03**

Set the function selector to OFF , wait 5-6 seconds then turn the selector back to the required setting.

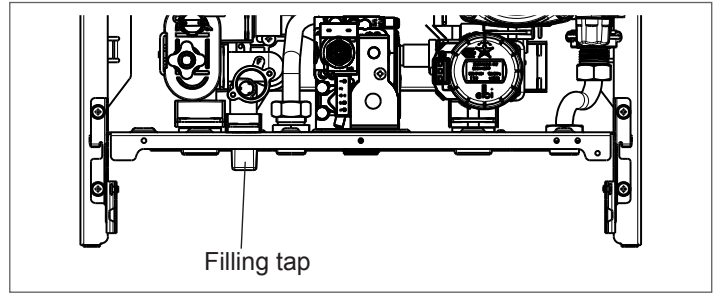
If the unblock attempts do not reactivate the boiler, please request support from the Technical Assistance Service.



**Fault A04**

The digital display shows the fault code together with the symbol . Check the pressure shown on the water gauge:

if the pressure is less than 0.3 bar, set the function selector to (OFF) and adjust the filling tap until the pressure is between 1 and 1.5 bar.



Then turn the function selector back to the required setting. If there are frequent drops in pressure, please request support from the Technical Assistance Service.

**Fault A06**

The boiler operates normally but does not guarantee a stable domestic hot water temperature, which is set to around 50°C.

Please request support from the Technical Assistance Service.

**Fault A07**

Please request support from the Technical Assistance Service.

**J - Periodic scheduled maintenance**

OPERATIONS	1st YEAR	2nd YEAR
Sealing component check	°	°
Flue-side primary exchanger cleaning	°	°
Water and gas safety device check	°	°
Gas flow rate check and adjustments where necessary	°	°
Flue duct and draught check	°	°
Burner cleaning and ignition efficiency check	°	°
Hydraulic efficiency check	°	°
Combustion analysis	-	°
Check and lubrication of hydraulic system components	-	°
System sealing efficiency check	-	°
Exchanger washing	-	°
Electrical and electronic component efficiency check	-	°

**N.B.:** the above maintenance operations must be performed in compliance with current standards.

**K - Cleaning**

Clean the external boiler panels only, using a damp, soapy cloth.

For stubborn stains, dampen the cloth with a 50% water and denatured alcohol mixture, or use specific products.

Never use fuel and/or sponges soaked in abrasive solutions or powder detergents.

Do not clean the boiler without having disconnected it from the mains power supply, by setting the power switch to "off".

**DATA PLATE**

<b>RIELLO</b>				EUROPEAN DIRECTIVE 2009/142/EC	
IP					
N.					
230 V ~ 50 Hz	W	Qn =	kW	kW	D: l/min
	Pmw = bar	T= 60 °C	Pn =	kW	kW
	Pms = bar	T= 90 °C			

**[EN] Data plate**

- DHW operation
- Heating operation
- Qn** Nominal capacity
- Pn** Nominal output
- IP** Protection level
- Pmw** Maximum pressure, domestic hot water
- Pms** Maximum pressure, heating
- T** Temperature
- D** Specific capacity
- NOx** NOx class

## TECHNICAL DATA

DESCRIPTION	START 28 KI			START 24 KIS			START 28 KIS			START 35 KIS		
	G20	G30	G31	G20	G30	G31	G20	G30	G31	G20	G31	
Appliance category • Country of destination (+)	II2H3+ • JO-SRB- MK-LB-EG-AL			II2H3+ • JO-SRB- MK-LB-EG-GE II2H3B/P • AL			II2H3+ • JO-SRB- MK-LB-EG-AL-GE			II2H3P • JO-SRB- MK-LB-EG-AL-GE		
Device type	B11BS			B22P-B52P; C12-C12x; C32-C32x; C42-C42x; C52-C52x; C62- C62x; C82-C82x; C92-C92x			B22P-B52P; C12-C12x; C32-C32x; C42-C42x; C52-C52x; C62- C62x; C82-C82x; C92-C92x			B22P-B52P; C12-C12x; C32-C32x; C42-C42x; C52-C52x; C62- C62x; C82-C82x; C92-C92x		
<b>Heating</b>												
Nominal heat input	kW	31,90			25,80			30,50			37,60	
Nominal heat output	kW	28,71			23,71			27,85			34,55	
Reduced heat input	kW	14,00			8,90			12,70			12,90	
Reduced heat output	kW	11,93			7,52			10,82			10,82	
<b>Domestic hot water</b>												
Nominal heat input	kW	31,90			25,80			30,50			37,60	
Nominal heat output	kW	28,71			23,71			27,85			34,55	
Reduced heat input	kW	8,70			8,90			10,50			12,90	
Reduced heat output	kW	7,41			7,52			8,95			10,82	
Useful efficiency P <sub>n</sub> max - P <sub>n</sub> min	%	90,0 - 85,2			91,9 - 84,5			91,3 - 85,2			91,9 - 83,9	
Useful efficiency 30% (47° return)	%	89,5			84,0			87,2			85,2	
Combustion efficiency	%	91,2			93,0			92,5			93,0	
Flue gas mass flow rate maximum power	g/s	18,855	17,868	18,484	14,308	13,985	14,120	18,210	17,960	18,590	21,091	21,147
Flue gas mass flow rate minimum power (CH)	g/s	16,978	15,833	16,423	16,247	16,429	16,683	19,700	19,490	19,980	21,749	22,093
Flue gas mass flow rate minimum power (DHW)	g/s	10,550	9,839	10,206	-	-	-	-	-	-		
Air flow rate	Nm <sup>3</sup> /h	50,960	48,088	49,811	39,613	40,249	40,454	50,438	48,415	50,211	56,894	56,920
Flue flow rate	Nm <sup>3</sup> /h	54,160	50,432	52,285	42,204	41,008	41,455	53,496	50,650	52,567	60,666	59,837
Excess air index (λ) maximum power		1,668	1,653	1,687	1,608	1,715	1,699	1,725	1,750	1,791	1,580	1,636
Excess air index (λ) minimum power		3,484	3,403	3,481	5,335	5,741	5,734	4,512	4,667	4,724	4,866	5,112
Flue temperature (max/min power)*	°C	132/97	132/100	138/102	142/109	143/108	143/108	160/125	160/124	159/124	148/113	145/115
CO <sub>2</sub> at max*/min*	%	6,7/3,1	8,2/3,9	7,8/3,7	7,3/2,2	8,2/2,5	8,1/2,4	6,8/2,6	8,0/3,0	7,65/2,9	7,1/2,2	8,1/2,5
CO S.A. at max*/min* less than	p.p.m.	90/20	180/20	80/30	120/200	140/220	120/200	80/150	80/160	70/150	100/200	70/250
NOx S.A. at max*/min* less than	p.p.m.	170/80	280/140	220/130	200/100	270/110	260/110	140/110	180/120	180/120	140/100	200/120
NOx Class		2			3			3			3	
Maximum heating operating pressure	bar	3			3			3			3	
Minimum pressure for standard operation	bar	0,25-0,45			0,25-0,45			0,25-0,45			0,25-0,45	
Max temperature allowed	°C	90			90			90			90	
Boiler water temp. selection range (±3°C)	°C	40/80			40/80			40/80			40/80	
Electrical power supply	Volt-Hz	230-50			230-50			230-50			230-50	
Pump head available to the system	mbar	227			227			227			227	
at a flow rate of	l/h	1.000			1.000			1.000			1.000	
Maximum electric power consumption	W	89			115			131			163	
Pump electrical output (1.000 l/h)	W	75			75			75			75	
Electrical protection rating	IP	X5D			X5D			X5D			X5D	
Expansion vessel	l	8			8			8			10	
Expansion vessel pre-load	bar	1			1			1			1	
Maximum DHW operating pressure	bar	6			6			6			6	
Minimum DHW operating pressure	bar	0,15			0,15			0,15			0,15	
Quantity of hot water with Δt 25°C	l/min	16,5			13,6			16,0			19,8	
Quantity of hot water with Δt 30°C	l/min	13,7			11,3			13,3			16,5	
Quantity of hot water with Δt 35°C	l/min	11,8			9,7			11,4			14,2	

(+) The installation of this product is allowed only in the destination Countries contained in the data plate, regardless of the present translation language.

DESCRIPTION		START 28 KI	START 24 KIS	START 28 KIS	START 35 KIS
Domestic hot water temperature selection range ( $\pm 3^{\circ}\text{C}$ )	$^{\circ}\text{C}$	37-60	37-60	37-60	37-60
Minimum DHW flow rate	l/min	2	2	2	2
Flow rate limiter	l/min	12	10	12	15

\* **KI model:** Pipe diameter 130 mm - length 0.5 m. - check performed in heating mode with water temperature  $80^{\circ}\text{C}$ - $60^{\circ}\text{C}$   
**KIS model:** Checked carried out with concentric pipe  $\varnothing$  60-100 - length 0,85m - water temperature  $80^{\circ}\text{C}$ - $60^{\circ}\text{C}$  - flue gas flange of suitable diameter installed.  
 Depending on the type of flue system, CO values may differ from those declared. If the level exceeds 500 ppm, urgently request intervention from the Technical Assistance Service.

## MULTIGAS TABLE

DESCRIPTION		Methane gas (G20)	Butane (G30)	Propane (G31)
Lower Wobbe index (at $15^{\circ}\text{C}$ -1013 mbar)	MJ/m <sup>3</sup> S	45,67	80,58	70,69
Net Calorific Value	MJ/m <sup>3</sup> S	34,02	116,09	88
Supply minimum pressure	mbar (mm H <sub>2</sub> O)	13,5 (137,7)		
<b>START 28 KI</b>				
Supply nominal pressure (II2H3+)	mbar (mm H <sub>2</sub> O)	20 (203,9)	28 - 30 (285,5 - 305,9)	37 (377,3)
Burner: number of nozzles - diameter of nozzles	n° - $\varnothing$ mm	14 - 1,30	14 - 0,78	14 - 0,78
CH maximum gas capacity	Sm <sup>3</sup> /h	3,37		
	kg/h		2,51	2,48
DHW maximum gas capacity	Sm <sup>3</sup> /h	3,37		
	kg/h		2,51	2,48
CH minimum gas capacity	Sm <sup>3</sup> /h	1,48		
	kg/h		1,10	1,09
DHW minimum gas capacity	Sm <sup>3</sup> /h	0,92		
	kg/h		0,69	0,68
CH maximum pressure	(mbar)	12,70	27,00	35,20
	(mm H <sub>2</sub> O)	129,50	275,32	358,94
DHW maximum pressure	(mbar)	12,70	27,00	35,20
	(mm H <sub>2</sub> O)	129,50	275,32	358,94
CH minimum pressure	(mbar)	2,60	5,50	7,10
	(mm H <sub>2</sub> O)	26,51	56,08	72,40
DHW minimum pressure	(mbar)	1,00	2,30	2,90
	(mm H <sub>2</sub> O)	10,20	23,45	29,57
<b>START 24 KIS</b>				
Supply nominal pressure (II2H3+)	mbar (mm H <sub>2</sub> O)	20 (203,9)	28 - 30 (285,5 - 305,9)	37 (377,3)
Supply nominal pressure (II2H3B/P)	mbar (mm H <sub>2</sub> O)	20 (203,9)	30 (305,9)	30 (305,9)
Burner: number of nozzles - diameter of nozzles	n° - $\varnothing$ mm	11 - 1,35	11 - 0,78	11 - 0,78
CH maximum gas capacity	Sm <sup>3</sup> /h	2,73		
	kg/h		2,03	2,00
DHW maximum gas capacity	Sm <sup>3</sup> /h	2,73		
	kg/h		2,03	2,00
CH minimum gas capacity	Sm <sup>3</sup> /h	0,94		
	kg/h		0,70	0,69
DHW minimum gas capacity	Sm <sup>3</sup> /h	0,94		
	kg/h		0,70	0,69
CH maximum pressure	(mbar)	11,80	27,80	35,80
	(mm H <sub>2</sub> O)	120,33	283,48	365,06
DHW maximum pressure	(mbar)	11,80	27,80	35,80
	(mm H <sub>2</sub> O)	120,33	283,48	365,06
CH minimum pressure	(mbar)	1,50	3,30	4,30
	(mm H <sub>2</sub> O)	15,30	33,65	43,85
DHW minimum pressure	(mbar)	1,50	3,30	4,30
	(mm H <sub>2</sub> O)	15,30	33,65	43,85
<b>START 28 KIS</b>				
Supply nominal pressure (II2H3+)	mbar (mm H <sub>2</sub> O)	20 (203,9)	28 - 30 (285,5 - 305,9)	37 (377,3)
Burner: number of nozzles - diameter of nozzles	n° - $\varnothing$ mm	13 - 1,35	13 - 0,78	13 - 0,78
CH maximum gas capacity	Sm <sup>3</sup> /h	3,23		
	kg/h		2,40	2,37
DHW maximum gas capacity	Sm <sup>3</sup> /h	3,23		
	kg/h		2,40	2,37

DESCRIPTION		Methane gas (G20)	Butane (G30)	Propane (G31)
CH minimum gas capacity	Sm <sup>3</sup> /h	1,34		
	kg/h		1,00	0,99
DHW minimum gas capacity	Sm <sup>3</sup> /h	1,11		
	kg/h		0,83	0,82
CH maximum pressure	(mbar)	11,30	28,00	36,00
	(mm H <sub>2</sub> O)	115,23	285,52	367,10
DHW maximum pressure	(mbar)	11,30	28,00	36,00
	(mm H <sub>2</sub> O)	115,23	285,52	367,10
CH minimum pressure	(mbar)	2,25	5,20	6,80
	(mm H <sub>2</sub> O)	22,94	53,03	69,34
DHW minimum pressure	(mbar)	1,60	3,60	4,80
	(mm H <sub>2</sub> O)	16,32	36,71	48,95
<b>START 35 KIS</b>				
Supply nominal pressure (II2H3P)	mbar (mm H <sub>2</sub> O)	20 (203,9)	-	37 (377,3)
Burner: number of nozzles - diameter of nozzles	n° - ø mm	16 - 1,40	-	16 - 0,80
CH maximum gas capacity	Sm <sup>3</sup> /h	3,98		
	kg/h		-	2,92
DHW maximum gas capacity	Sm <sup>3</sup> /h	3,98		
	kg/h		-	2,92
CH minimum gas capacity	Sm <sup>3</sup> /h	1,36		
	kg/h		-	1,00
DHW minimum gas capacity	Sm <sup>3</sup> /h	1,36		
	kg/h		-	1,00
CH maximum pressure	(mbar)	9,60	-	35,00
	(mm H <sub>2</sub> O)	97,89	-	356,90
DHW maximum pressure	(mbar)	9,60	-	35,00
	(mm H <sub>2</sub> O)	97,89	-	356,90
CH minimum pressure	(mbar)	1,10	-	4,40
	(mm H <sub>2</sub> O)	11,22	-	44,87
DHW minimum pressure	(mbar)	1,10	-	4,40
	(mm H <sub>2</sub> O)	11,22	-	44,87

All pressures are measured with compensation tube disconnected (if present).

Description	Boiler type START											
	24 KIS	28 KIS	35 KIS	24 KIS	28 KIS	35 KIS	24 KIS	28 KIS	35 KIS			
Technical data for typical installations:	C4			C6			C8					
Temperature of combustion products @ Nominal heat output (at 80/60° C) - [°C]	140	158	145	136	153	141	151	170	157			
Mass flow rate [kg/h] @ Nominal heat output [kW]	2,76	3,26	4,02	2,72	3,22	3,96	2,78	3,29	4,05			
Nominal heat output [kW]	26	30,7	37,9	25,7	30,4	37,5	26,2	31,0	38,2			
Overtemperature of the flue gases [°C]	N.A.											
Temperature of the flue gases at minimum heat output [°C]	94	108	97	88	101	91	91	104	94			
Mass flow rate [kg/h] @ Minimum heat output [kW]	0,93	1,10	1,35	0,94	1,11	1,36	0,95	1,12	1,38			
Minimum heat output [kW]	8,8	10,4	12,8	8,9	10,5	12,9	8,9	10,5	12,9			
CO <sub>2</sub> content @ Nominal heat output [%]	6,95	6,47	6,76	8,05	7,50	7,83	4,25	3,96	4,13			
CO <sub>2</sub> at minimum heat output [%]	2,05	2,42	2,05	2,30	2,72	2,30	1,30	1,54	1,30			
Loss of minimum permitted pressure (in air feed and flue gas pipe) [Pa]	70	20	30	-	-	-	-	-	-			
Loss of maximum permitted pressure (in air supply and flue gas pipe) [Pa]	104	35	100	-	-	-	-	-	-			
Maximum permitted pressure difference between combustion air inlet and flue gas outlet (including wind pressure) [Pa]	-	-	-	70	20	30	-	-	-			
Maximum permitted combustion air temperature [°C]	-	-	-	45	45	45	-	-	-			
	C9			24 KIS			28 KIS			35 KIS		
Minimum useful diameter of the flue/vertical technical compartment for combustion air supply [mm]	240											
<b>Notes</b>												
C1:	for the installation of the terminals on the wall and roof, refer to the specific instructions contained in the kits the terminals emerge from separate combustion and air supply circuits within a square area of 50 cm											
C3:	the terminals of the separate combustion and air supply circuits must lie within a square area of 50 cm, and the distance between the surfaces of the two holes must be less than 50 cm											
C4:	the boilers in this configuration, with the relative connection pipes, can be connected to only one natural draught stack condensate flow inside the appliance is not permitted											
C5:	the terminals for combustion air supply and the evacuation of flue gases must not be installed on opposite walls of the building											
C6:	condensate flow inside the appliance is permitted maximum permitted recirculation rate of 10% in windy conditions the terminals for combustion air supply and the evacuation of flue gases must not be installed on opposite walls of the building the appliance must not be connected to a common flue (i.e., more than one appliance on a shared flue) operating under positive pressure.											
⚠	This type of configuration is not permitted in some countries; refer to the local regulations in force											
C8:	condensate flow inside the appliance is not permitted											

## MANUEL INSTALLATEUR

### 1 - MISES EN GARDE ET SÉCURITÉ

⚠ Après avoir retiré l'emballage, vérifiez que la fourniture soit en bon état et complète et, en cas d'absence de conformité, contactez l'Agence Riello qui a vendu la chaudière.

⚠ L'installation de la chaudière doit être effectuée, conformément aux normes en vigueur, par une entreprise autorisée qui délivrera au propriétaire à la fin des travaux la déclaration de conformité d'installation réalisée selon les règles de l'art, c'est à dire conformément aux Normes Nationales et Locales en vigueur et aux indications fournies par Riello dans le présent manuel d'instructions.

⚠ Il est conseillé de former l'utilisateur sur le fonctionnement de l'appareil et sur les consignes de sécurité fondamentales.

⚠ Cette chaudière doit être destinée à l'utilisation prévue par Riello pour laquelle elle a été expressément réalisée. Le constructeur décline toute responsabilité contractuelle et extracontractuelle pour tout dommage causé à des personnes, des animaux ou des biens découlant d'erreurs d'installation, de réglage ou d'entretien ou d'une mauvaise utilisation.

⚠ En cas de fuite d'eau, coupez l'alimentation hydrique et contactez immédiatement le Service d'Assistance Technique ou bien du personnel professionnellement qualifié.

⚠ Vérifiez périodiquement que la pression de fonctionnement de l'installation hydraulique soit comprise entre 1 et 1,5 bar. Dans le cas contraire, procédez au remplissage de l'installation comme il est indiqué dans le chapitre spécifique. En cas de pertes de pression fréquentes, faites intervenir le Service d'Assistance Technique ou bien du personnel professionnellement qualifié.

⚠ La non-utilisation de la chaudière pendant une longue période comporte la réalisation des opérations qui suivent:

- positionnez l'interrupteur principal de l'appareil et celui général de l'installation sur "éteint"
- fermez les robinets du combustible et de l'eau de l'installation thermique
- videz l'installation thermique et sanitaire s'il y a un risque de gel.

⚠ L'entretien de la chaudière doit être effectué au moins une fois par an.

⚠ Ce manuel et celui pour l'utilisateur font partie intégrante de l'appareil; par conséquent, ils doivent être conservés avec soin et devront toujours accompagner la chaudière, même s'ils sont cédés à un autre propriétaire ou utilisateur dans le cas d'un transfert vers une autre installation. En cas d'endommagement ou de perte, demandez un autre exemplaire au Service d'Assistance Technique de votre zone.

⚠ Les chaudières sont construites de façon à protéger l'utilisateur ou l'installateur des éventuels accidents. Après chaque intervention effectuée sur le produit, faites particulièrement attention aux branchements électriques, surtout en ce qui concerne la partie dénudée des conducteurs, qui ne doit en aucun cas sortir du bornier.

⚠ Éliminez les matériaux d'emballage dans les conteneurs appropriés auprès des centres de tri sélectif appropriés.

⚠ Les déchets doivent être éliminés sans danger pour la santé de l'homme et sans utiliser de procédures ou méthodes susceptibles de nuire à l'environnement.

⚠ Le produit en fin de vie ne doit pas être éliminé comme un déchet solide urbain, mais doit être remis à un centre de tri sélectif.

⚠ Les ouvertures d'aération sont indispensables pour une bonne combustion (uniquement modèle KI).

Nous rappelons que l'utilisation d'appareils qui emploient des combustibles, de l'énergie électrique et de l'eau comporte le respect de certaines règles de sécurité fondamentales telles que:

⊖ L'utilisation de la chaudière est interdite aux enfants et aux personnes handicapées non assistées.

⊖ Il est interdit d'actionner des dispositifs ou des appareils électriques, tels que des interrupteurs, des électroménagers, etc. si vous sentez une odeur de combustible ou de gaz imbrûlés.

Dans ce cas:

- aérez la pièce en ouvrant les portes et les fenêtres
- fermez le dispositif d'interception du combustible
- contactez immédiatement le Service d'Assistance Technique ou un personnel professionnellement qualifié.

⊖ Il est interdit de toucher la chaudière en étant pieds nus ou en ayant des parties du corps mouillées.

⊖ Toute opération de nettoyage est interdite avant d'avoir débranché la chaudière du courant électrique en positionnant l'interrupteur général de l'installation sur "éteint".

⊖ Il est interdit de modifier les dispositifs de sécurité ou de réglage sans l'autorisation et les indications du constructeur de la chaudière.

⊖ Il est interdit de tirer, détacher ou tordre les câbles électriques qui sortent de la chaudière, même si cette dernière est débranchée du réseau d'alimentation électrique.

⊖ Il est interdit de boucher ou réduire les bouches d'aération de la pièce d'installation, si présentes.

⊖ Il est interdit de laisser des récipients et des substances inflammables dans la pièce d'installation de la chaudière.

⊖ Il est interdit de disperser et de laisser à la portée des enfants le matériel d'emballage qui peut constituer une source de danger potentielle.

### 2 - DESCRIPTION

**START** c'est une chaudière murale à gaz conçue pour le chauffage de pièces et pour l'utilisation sanitaire en disposant d'un échangeur monothermique.

C'est une chaudière à gestion électronique avec allumage automatique, contrôle de flamme à ionisation, modulateurs en chauffage et sanitaire.

**START KI:** elle a une chambre de combustion ouverte et est classée dans la catégorie B11BS.

**START KIS:** elle a une chambre de combustion étanche et, en fonction de l'accessoire d'évacuation du gaz utilisé, est classée dans les catégories B22P, B52P; C12, C12x; C22 (si requis); C32, C32x; C42, C42x; C52, C52x; C82, C82x; C92, C92x.

Pour garantir un débit d'eau correct dans l'échangeur, la chaudière est dotée d'un by-pass automatique.

Elle est dotée des accessoires de sécurité, expansion et distribution.

La chaudière **START** est dotée de:

- gestion et contrôle à micro-processeur avec auto-diagnose
- anti-blocage circulateur et vanne à trois voies
- antigel de premier niveau (adapté pour des installations internes)
- prédisposition pour thermostat ambiant ou programmeur horaire ou vannes de zone
- afficheur numérique qui signale la température de fonctionnement et des codes d'anomalie.

#### 2.1 Dispositifs de sécurité

La chaudière **START** est dotée des dispositifs de sécurité suivants:

- **Soupape de sécurité et pressostat eau**, ils interviennent en cas de pression hydraulique insuffisante ou excessive (min 0,7 bar - max 3 bar).
- **Thermostat limite température eau**, il intervient en mettant la chaudière en état d'arrêt de sécurité lorsque la température dépasse les valeurs prévues par la réglementation en vigueur.
- **START KI: Thermostat des fumées**, il intervient en mettant la chaudière en état d'arrêt de sécurité s'il y a un reflux des produits de combustion dans la hotte, il est situé sur le panneau droit du dispositif coupe-tirage anti-vent.
- **START KIS: Pressostat d'air différentiel**, qui intervient en mettant la chaudière en arrêt de sécurité en cas d'anomalie du circuit d'évacuation des fumées.

**!** L'intervention des dispositifs de sécurité indique un dysfonctionnement de la chaudière, contactez donc immédiatement le service d'Assistance Technique.

Le thermostat des fumées et le pressostat d'air différentiel interviennent non seulement pour un défaut du circuit d'évacuation des produits de la combustion, mais aussi pour des conditions atmosphériques casuelles.

Il est donc possible, après une courte attente, d'essayer de remettre la chaudière en marche (voir le chapitre "Première mise en service").

**!** **START KI:** L'intervention répétée du thermostat des fumées indique que l'évacuation des produits de la combustion est produite vers la pièce d'installation de la chaudière, avec une éventuelle combustion incomplète et formation de monoxyde de carbone, condition de danger extrême. Contactez immédiatement le Service d'Assistance Technique.

**⊖** La chaudière ne doit pas, même temporairement, être mis en service alors que les dispositifs de sécurité ne fonctionnent pas ou ont subi des interventions intempestives.

**!** Le remplacement des dispositifs de sécurité doit être effectué par le Service d'Assistance, en utilisant exclusivement des composants originaux du fabricant, référez-vous au catalogue des pièces de rechange fourni avec la chaudière.

Après avoir effectué la réparation, effectuez un essai d'allumage.

### 3 - INSTALLATION

**!** Dans les bâtiments existants, cette chaudière à aspiration naturelle doit être raccordée seulement à une fumisterie partagée par plusieurs maisons pour évacuer les résidus de la combustion vers l'extérieur de la pièce d'installation de la chaudière. La chaudière tire l'air nécessaire à la combustion directement depuis la pièce et est dotée d'une cheminée antivent. À cause d'une efficacité inférieure, toute autre utilisation de cette chaudière doit être évitée puisqu'elle provoquerait une majeure consommation d'énergie et des coûts de fonctionnement plus élevés.

#### 3.1 Réception du produit

La chaudière **START** est fournie dans un seul colis protégé par un emballage en carton.

Avec la chaudière est fourni le matériel suivant:

- manuel d'instructions pour l'utilisateur et l'installateur
- étiquettes avec codes à barres
- bride fumées Ø 42 (START 24 KIS)
- brides fumées Ø 43-47 (START 28 KIS)

**!** Les manuels d'instruction sont partie intégrante de la chaudière et il est donc conseillé de les lire et les conserver avec soin.

#### 3.2 Dimensions et poids (fig. 1)

	<b>START 28 KI</b>	<b>START 24 KIS</b>	<b>START 28 KIS</b>	<b>START 35 KIS</b>	
L	450	405	400	505	mm
P	332	248	332	332	mm
H	740	715	740	780	mm
Poids net	31	29	32	41	kg

#### 3.3 Déplacement

Après avoir retiré l'emballage, le déplacement de la chaudière s'effectue manuellement en utilisant le châssis de support (fig. 2).

#### 3.4 Lieu d'installation

##### START KI

La chaudière est installée dans des lieux dotés de bouches d'aération conformes aux Normes Techniques et adéquatement dimensionnées.

##### START KIS

Dans la configuration C, l'appareil peut être installé dans n'importe quel type de pièce car il n'existe aucune limite quant aux conditions d'aération et au volume de la pièce.

En configuration B22P, B52P l'appareil ne peut pas être installé dans les chambres à coucher, les salles de bains, les douches où sont présentes des cheminées ouvertes sans amenée d'air. La pièce où la chaudière sera installée devra avoir une ventilation appropriée.

**!** Tenez compte des espaces nécessaires pour l'accessibilité aux dispositifs de sécurité et de réglage et pour l'exécution des opérations d'entretien.

**!** Vérifiez que le degré de protection électrique de l'appareil soit adapté aux caractéristiques du lieu d'installation.

**!** Si les chaudières sont alimentées avec un gaz combustible de poids spécifique supérieur à celui de l'air, les parties électriques devront être placées à plus de 500 mm du sol.

#### 3.5 Installation sur d'anciennes installations ou à rénover

Lorsque les chaudières **START** sont installées sur d'anciennes installations ou à rénover, vérifiez que:

- le conduit de cheminée soit adapté aux températures des produits de combustion, calculé et construit aux Normes, soit le plus rectiligne possible, étanche, isolée et ne présente pas d'obstructions ou de rétrécissements
- l'installation électrique soit effectuée conformément aux Normes spécifiques et par les soins d'un personnel qualifié
- la ligne d'adduction du combustible et l'éventuel réservoir soient réalisés selon les Normes spécifiques
- les vases d'expansion garantissent une absorption totale de la dilatation du fluide contenu dans l'installation
- la capacité et la hauteur manométrique du circulateur soient adaptées aux caractéristiques de l'installation
- l'installation soit lavée, sans boue et sans incrustations, purgée et étanche
- le système d'évacuation des condensats de la chaudière (siphon) est raccordé et acheminé vers la collecte de l'eau "blanche" (modèle KIS)
- il soit prévu un système de traitement lorsque l'eau d'alimentation/réintégration est particulière (les valeurs indiquées dans le tableau peuvent être considérées de référence).

Valeurs de l'eau d'alimentation	
pH	6-8
Conductivité électrique	inférieure à 200 µS/cm (25°C)
Ions chlore	inférieur à 50 ppm
Ions acide sulfurique	inférieur à 50 ppm
Fer total	inférieur à 0,3 ppm
Alcalinité M	inférieure à 50 ppm
Dureté totale	inférieure à 35°F
Ions soufre	aucun
Ions ammoniacque	aucun
Ions silicium	inférieur à 20 ppm

**!** Le constructeur n'est pas responsable des éventuels dommages causés par la réalisation incorrecte du système d'évacuation des fumées.

**!** Si l'eau de consommation a une dureté totale comprise entre 25°F et 50°F, installez le kit de traitement de l'eau sanitaire (doseur de polyphosphates); avec une dureté majeure de 50°F, le kit réduit progressivement sa propre efficacité et il est donc conseillé d'utiliser un appareil aux prestations supérieures ou un adoucissement total; malgré une dureté totale inférieure à 25°F, il est nécessaire d'installer un filtre aux dimensions adéquates si l'eau provient de réseaux de distribution non parfaitement propres/nettoyables.

#### 3.6 Installation de la chaudière

Pour une bonne installation, lire les recommandations suivantes:

- la chaudière ne doit pas être placée au-dessus d'une cuisinière ou d'un autre appareil de cuisson ;
- il est interdit de laisser des substances inflammables dans le local où est installée la chaudière ;
- les parois sensibles à la chaleur (par exemple en bois) doivent être protégées par une isolation opportune ;
- Les espaces minimaux pour les interventions techniques et d'entretien doivent être respectés.

##### START KI

L'installation doit être effectuée par du personnel qualifié, conformément à la réglementation en vigueur. En particulier UNI 7129-7131 et CEI 64-8 et 64-9 doivent être respectés.

##### START KIS (fig. 3a)

La chaudière peut être installée à l'intérieur et à l'extérieur.

**Installation à l'intérieur:** elles peuvent être installées dans différents locaux à condition que l'évacuation des produits de la combustion et l'aspiration de l'air comburant soient portées à l'extérieur du local. Dans ce cas, le local n'a besoin d'aucune ouverture d'aération parce que ce sont des chaudières avec circuit de combustion "étanche" par rapport à l'environnement d'installation.

Si par contre l'air comburant est prélevé du local d'installation, celui-ci doit être doté d'ouvertures d'aération conformes aux normes techniques et convenablement dimensionnées.

Tenir compte des espaces nécessaires pour l'accessibilité aux dispositifs de sécurité et de réglage et pour la réalisation des opérations de maintenance.

Vérifier que le degré de protection électrique de l'appareil est adapté aux caractéristiques du local d'installation.

Si les chaudières sont alimentées avec du gaz combustible de poids spécifique supérieur à celui de l'air, les parties électriques devront être placées à une distance du sol supérieure à 500 mm.

**Installation à l'extérieur:** La chaudière peut être installée à l'extérieur, dans un endroit partiellement protégé (c'est-à-dire qu'elle ne doit pas être exposée directement à l'action des agents atmosphériques).

La chaudière est équipée de série d'un système antigel automatique qui s'active lorsque la température de l'eau du circuit primaire est inférieure à 6°C.

Pour utiliser cette protection, basée sur le fonctionnement du brûleur, la chaudière doit être en mesure d'être allumée, car toute condition de blocage (ex. manque de gaz ou d'alimentation électrique, ou bien intervention d'un dispositif de sécurité) désactive la protection.

### FIXATION DE LA CHAUDIERE

La chaudière **START** est conçue et réalisée pour être installée sur des installations de chauffage et de production d'eau chaude sanitaire.

La position et la dimension des raccords hydrauliques sont indiquées dans les illustrations.

- Positionnez la plaque de support à l'aide d'un niveau à bulle. Contrôlez la planéité du plan horizontal et la surface d'appui de la chaudière; au besoin, prévoyez une cale.
- Tracez les points de fixation se référant à l'indication «boucher le trou».
- Retirez la plaque et effectuez le perçage.
- Fixez les chevilles.
- Contrôlez avec un niveau à bulle la parfaite horizontalité.
- Accrochez la chaudière aux supports de la plaque (fig. 4).

### 3.7 Raccordements hydrauliques (fig. 5)

Reliez les raccords et les joints fournis avec l'installation.

Il est conseillé de raccorder la chaudière aux installations en insérant, outre au robinet d'arrêt de l'eau sanitaire, également les robinets d'arrêt pour l'installation de chauffage; à ce propos, le kit des robinets de l'installation de chauffage et le kit des robinets de chauffage avec filtre sont disponibles.

<b>M</b>	refoulement chauffage
<b>AC</b>	sortie eau chaude
<b>G</b>	gaz
<b>R</b>	retour chauffage
<b>AF</b>	entrée eau froide

⚠ Le choix et l'installation des composants et l'installation sont demandées au constructeur, qui devra opérer selon les règles de la bonne technique et de la Législation en vigueur.

⚠ Si l'eau de consommation a une dureté totale comprise entre 25°F et 50°F, installez un kit de traitement de l'eau sanitaire; avec une dureté majeure de 50°F, le kit réduit progressivement sa propre efficacité et il est donc conseillé d'utiliser un appareil aux prestations supérieures ou un adoucissement total; malgré une dureté totale inférieure à 25°F, il est nécessaire d'installer un filtre aux dimensions adéquates si l'eau provient de réseaux et distribution non parfaitement propres/nettoyables.

⚠ La décharge de la soupape de sécurité de la chaudière doit être raccordée à un système de récolte et d'évacuation adéquat. Le constructeur de la chaudière n'est pas responsable des éventuelles inondations causées par l'intervention des soupapes de sécurité.

⚠ Le kit mallette qui permet d'effectuer des raccordements rapidement et sans gaspillages inutiles sur chaque installation est disponible.

### 3.8 Branchement électrique (fig. 6 - 7 - 8)

La chaudière **START** quitte l'usine complètement câblée avec le câble d'alimentation électrique déjà raccordé électriquement et nécessite seulement du raccordement du/des thermostats (TA) à effectuer aux bornes dédiées.

- Positionnez l'interrupteur général de l'installation sur "éteint".
- Dévissez les vis (**A**) de fixation de l'enveloppe.
- Déplacez en avant puis vers le haut la base de l'enveloppe pour la décrocher du châssis.
- Dévissez la vis de fixation (**B**) du panneau de commande.

- Faites pivoter le panneau de commande en avant.
- Ouvrez le couvercle (**C**) pour accéder à la carte de contrôle.

L'appareil fonctionne avec un courant alterné à 230 Volt/50 Hz et il est conforme à la norme EN 60335-1.

⚠ Entrée thermostat ambiant en basse tension de sécurité (contact sec).

⚠ En cas d'alimentation phase-phase, vérifiez avec un testeur lequel des deux fils a une puissance majeure par rapport à la terre et raccordez-le à la L; de la même façon, raccordez le fil restant à la N.

⚠ La chaudière peut fonctionner avec une alimentation phase-neutre ou phase-phase.

⚠ Le conducteur de terre doit être d'environ deux cm plus long que les autres.

### IL EST OBLIGATOIRE:

- l'utilisation d'un interrupteur magnéto-thermique omnipolaire, un sectionneur de ligne, conformément aux Normes CEI-EN 60335-1 (ouverture des contacts d'au moins 3,5mm - catégorie 3)
- utilisez les câbles de section  $\geq 1,5\text{mm}^2$  et respectez le raccordement L (Phase) - N (Neutre)
- l'ampérage de l'interrupteur doit être adapté à la puissance électrique de la chaudière, référez-vous aux données techniques pour vérifier la puissance électrique du modèle installé.
- connecter l'appareil à un système de mise à la terre efficace.
- sauvegardez l'accessibilité à la prise de courant après l'installation.

⚠ Il est interdit d'avoir recours à des tuyaux de gaz et de l'eau pour procéder à la mise à la terre de l'appareil.

⚠ Le constructeur n'est pas responsable des éventuels dommages causés par le non-respect des indications fournies dans les schémas électriques.

⚠ L'installateur a la responsabilité de garantir une mise à terre adéquate de l'appareil; le constructeur n'est pas responsable des éventuels dommages dus à une réalisation incorrecte ou absente de celle-ci.

### 3.9 Raccordement au gaz

Le raccordement des chaudières **START** à l'alimentation du gaz doit être effectué dans le respect des Normes d'installation en vigueur.

Avant d'effectuer le raccordement, il est nécessaire de s'assurer que:

- le type de gaz soit celui pour lequel l'appareil est prédisposé
- les tuyaux soient soigneusement nettoyés.

⚠ L'installation d'alimentation du gaz doit être adaptée à la capacité de la chaudière et doit être dotée de tous les dispositifs de sécurité et de contrôle prescrits par les Normes en vigueur. L'utilisation d'un filtre opportunément dimensionné est conseillé.

⚠ Une fois l'installation réalisée, vérifiez que les jonctions effectuées soient étanches.

### 3.10 Évacuation des fumées et aspiration de l'air comburant

#### START KI (fig. 9)

Le conduit d'évacuation et le raccord de la cheminée doivent être réalisés conformément aux Normes et/ou aux réglementations locales et nationales.

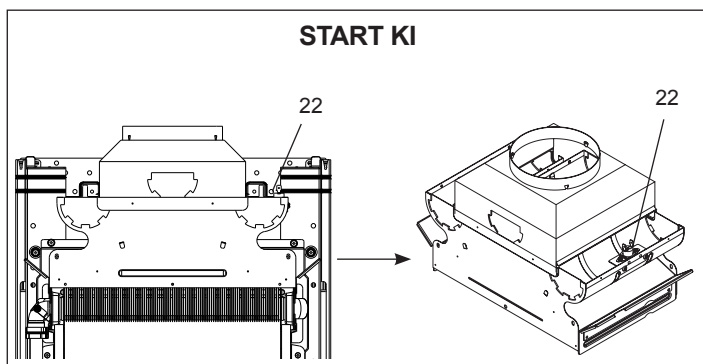
Il est obligatoire d'utiliser des conduits rigides, les jonctions entre les éléments doivent résulter hermétiques et tous les composants doivent être résistants à la température, à la condensation et aux sollicitations mécaniques.

⚠ La chaudière **START** est équipée d'un thermostat des fumées positionné sur le côté droit de la hotte et qui, en cas de reflux des produits de la combustion, arrête immédiatement le fonctionnement de la chaudière.

⚠ Les ouvertures pour l'air comburant doivent être réalisées en conformité avec les Normes Techniques.

⚠ Les conduits d'évacuation non isolés sont potentiellement dangereux.

⚠ Il est interdit de boucher ou réduire les bouches d'aération de la pièce d'installation.



### START KIS (fig. 10a-b-c-d-e-f-g-h)

Les chaudières doivent avoir conduits appropriés pour l'évacuation des fumées et l'aspiration d'air, selon le type d'installation. Les conduits font partie intégrante de la chaudière, mais ils sont fournis en kit séparés, pour une meilleure flexibilité d'installation.

**!** Les longueurs maximales des conduits de fumée se rapportent à des systèmes disponibles dans le catalogue.

### INSTALLATION «FORCÉE OUVERTE» (TYPE B22P-B52P)

#### Conduit de sortie des fumées $\varnothing$ 80 mm (fig. 10c)

Le conduit d'évacuation des fumées peut être orienté dans la direction la plus adaptée aux exigences de l'installation. Pour l'installation, suivre les instructions fournies avec les kits.

Dans cette configuration, la chaudière est reliée au conduit d'évacuation des fumées  $\varnothing$  80 mm à travers un adaptateur  $\varnothing$  60-80 mm. Lorsqu'il est nécessaire, la bride de fumées (A), doit être retirée ou remplacée en faisant levier avec un tournevis.

**!** Dans cette configuration, l'air comburant est prélevé de la pièce où la chaudière est installée, qui doit être un local techniquement approprié et muni d'une aération adéquate.

**!** Les conduits d'évacuation des fumées non isolés constituent des sources potentielles de danger.

**!** Il convient d'installer un collecteur de condensat et tuyaux spécifiques. Dans ce cas, réaliser une inclinaison de 3° vers le collecteur de condensat.

#### 24 KIS

Longueur des conduits $\varnothing$ 80 mm	Bride fumées ( $\varnothing$ )	Pertes de charge	
		coude 45°	coude 90°
jusqu'à 2m	42	1,2m	1,7m
de 2m à 8m	44 (*)		
de 8m à 25m	non installée		

#### 28 KIS

Longueur des conduits $\varnothing$ 80 mm	Bride fumées ( $\varnothing$ )	Pertes de charge	
		coude 45°	coude 90°
jusqu'à 4m	43	1,2m	1,7m
de 4m à 9m	45 (*)		
de 9m à 15m	47		
de 15m à 21m	non installée		

#### 35 KIS

Longueur des conduits $\varnothing$ 80 mm	Bride fumées ( $\varnothing$ )	Pertes de charge	
		coude 45°	coude 90°
jusqu'à 5m	49 (*)	1,2m	1,7m
de 5m à 12m	non installée		

(\*) montée en chaudière

### INSTALLATION «ÉTANCHE» (TYPE C)

Les chaudières doivent être raccordés au conduit d'évacuation et aspiration de l'air coaxiales ou dédoublés qui doit être prises à l'extérieur. Sans eux, la chaudière ne doit pas être utilisée.

#### Conduits coaxiales ( $\varnothing$ 60-100, fig. 10d)

Les évacuations coaxiales peuvent être orientées dans la direction la plus adaptée aux exigences de la pièce.

Pour l'installation, suivre les instructions fournies avec le kit.

Lorsqu'il est nécessaire, la bride de fumées (A), doit être retirée ou remplacée en faisant levier avec un tournevis.

**!** Il convient d'installer un collecteur de condensat et tuyaux spécifiques. Dans ce cas, réaliser une inclinaison de 3° vers le collecteur de condensat.

#### 24 KIS

Longueur des conduits $\varnothing$ 60-100 mm	Bride fumées ( $\varnothing$ )	Pertes de charge	
		coude 45°	coude 90°
jusqu'à 0,85m	42	1,0m	1,5m
de 0,85m à 2,35m	44 (*)		
de 2,35m à 4,25m	non installée		

#### 28 KIS

Longueur des conduits $\varnothing$ 60-100 mm	Bride fumées ( $\varnothing$ )	Pertes de charge	
		coude 45°	coude 90°
jusqu'à 0,85m	43	1,0m	1,5m
de 0,85m à 1,70m	45 (*)		
de 1,70m à 2,70m	47		
de 2,70m à 3,40m	non installée		

#### 35 KIS

Longueur des conduits $\varnothing$ 60-100 mm	Bride fumées ( $\varnothing$ )	Pertes de charge	
		coude 45°	coude 90°
jusqu'à 0,85m	49 (*)	1,0m	1,5m
de 0,85m à 2,3m	non installée		

(\*) montée en chaudière

### Conduits coaxiales ( $\varnothing$ 80-125, fig. 10g)

La chaudière est prévue pour être raccordée à des conduits d'évacuation/aspiration coaxiaux et avec l'ouverture pour l'aspiration d'air fermée. Les évacuations coaxiales peuvent être orientées dans la direction la plus adaptée aux exigences de la pièce, en respectant les longueurs maximum reportées dans le tableau. Pour l'installation, suivre les instructions fournies avec le kit. Pour traverser le mur, réaliser un trou de  $\varnothing$  130 mm.

Selon la longueur des conduits utilisée, il est nécessaire d'insérer une bride en la choisissant parmi celles contenues dans la chaudière (voir le tableau).

Prêter une attention particulière à la température extérieure et à la longueur du conduit. Se référer au graphique (fig. 10h) pour établir l'obligation ou non d'utiliser le collecteur de condensants. En cas de fonctionnement de la chaudière à des températures inférieures à 60 °C, l'utilisation du collecteur de condensats est obligatoire. En cas d'utilisation d'un collecteur de condensats, prévoir une inclinaison du conduit d'évacuation des fumées de 3° vers le collecteur.

Raccorder le siphon du collecteur de condensats à un conduit d'évacuation des eaux blanches. Les conduits d'évacuation non isolés constituent des sources potentielles de danger.

#### 24 KIS

Longueur des conduits $\varnothing$ 80-125 mm	Bride fumées ( $\varnothing$ )	Pertes de charge	
		coude 45°	coude 90°
de 0,96m à 3,85m	42	1,35m	2,2m
de 3,85m à 7,85m	44 (*)		
de 7,85m à 12,4m	non installée		

#### 28 KIS

Longueur des conduits $\varnothing$ 80-125 mm	Bride fumées ( $\varnothing$ )	Pertes de charge	
		coude 45°	coude 90°
de 0,96m à 2,9m	43	1,35m	2,2m
de 2,9m à 5,20m	45 (*)		
de 5,20m à 7,10m	47		
de 7,10m à 10m	non installée		

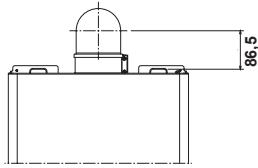
#### 35 KIS

Longueur des conduits $\varnothing$ 80-125 mm	Bride fumées ( $\varnothing$ )	Pertes de charge	
		coude 45°	coude 90°
de 0,96m à 2m	49 (*)	1,35m	2,2m
de 2m à 5,85m	non installée		

(\*) montée en chaudière

**START 24 KIS - kit coude coaxial baissé**

Au cas où il serait nécessaire d'installer la chaudière sur des installations déjà existantes (remplacement des gammes Residence KIS), le "kit coude coaxial baissé" est disponible et permet de positionner la chaudière en conservant le même trou de sortie des fumées.



Longueur des conduits avec coude baissé (m)	Bride fumées (A)	Pertes de charge de chaque coude (m)	
		45°	90°
jusqu'à 1,85	Ø 44 (**)	1	1,5
de 1,85 à 4,25	non installée		

**Conduits dédoublés (Ø 80, fig. 10e)**

Les évacuations dédoublées peuvent être orientées dans la direction la plus adaptée aux exigences de la pièce.

Retirez le bouchon de fermeture fixé avec les vis et utilisez l'adaptateur spécifique pour le conduit d'entrée d'air (E).



L'adaptateur d'entrée d'air Ø 80 (E) doit être orienté correctement, donc il est nécessaire de le fixer à travers les vis appropriées de manière que l'ailette de positionnement n'interfère pas avec le manteau.

Lorsqu'il est nécessaire, la bride de fumées (A), doit être retirée en faisant levier avec un tournevis. Le tableau reporte les longueurs rectilignes admises. Selon la longueur des conduits utilisée, il est nécessaire d'insérer une bride en la choisissant parmi celles contenues dans la chaudière (voir les tableaux reportés tout de suite).



Il convient d'installer un collecteur de condensat et tuyaux spécifiques. Dans ce cas, réaliser une inclinaison de 3° vers le collecteur de condensat.

**24 KIS**

Longueur des conduits Ø 80 mm	Bride fumées (Ø)	Pertes de charge	
		coude 45°	coude 90°
jusqu'à 2m + 2m	42	1,2m	1,7m
de 2m + 2m à 6m + 6m	44 (*)		
de 6m + 6m à 16m + 16m	non installée		

**28 KIS**

Longueur des conduits Ø 80 mm	Bride fumées (Ø)	Pertes de charge	
		coude 45°	coude 90°
up to 3m + 3m	43	1,2m	1,7m
de 3m + 3m à 7m + 7m	45 (*)		
de 7m + 7m à 11m + 11m	47		
de 11m + 11m à 14,5m + 14,5m	non installée		

**35 KIS**

Longueur des conduits Ø 80 mm	Bride fumées (Ø)	Pertes de charge	
		coude 45°	coude 90°
jusqu'à 4m + 4m	49 (*)	1,2m	1,7m
de 4m + 4m à 8m + 8m	non installée		

(\*) montée en chaudière

**CONFIGURATIONS D'ÉVACUATION POSSIBLES (fig. 10a)**

**B22P-B52P** Aspiration dans la pièce et évacuation vers l'extérieur.

**C12-C12x** Évacuation murale concentrique. Les tuyaux peuvent être indépendants en partant de la chaudière mais les sorties doivent être concentriques ou suffisamment proches pour être soumises à des conditions de vent similaires (dans 50 cm).

**C22 (si requis)** Évacuation concentrique dans un conduit de fumées commun (aspiration et évacuation dans le même conduit).

**C32-C32x** Évacuation concentrique au toit. Sorties comme C12.

**C42-C42x** Évacuation et aspiration dans des conduits de fumées communs séparés, mais soumis à des conditions de vent similaires.

**C52-C52x** Évacuation et aspiration séparées murales ou au toit et de toute façon dans des zones avec des pressions différentes. L'évacuation et l'aspiration ne doivent jamais être positionnées sur de murs opposés.

**C82-C82x** Évacuation dans un conduit de fumées unique ou commun et aspiration murale.

**C92-C92x** Évacuation au toit (similaire à C32) et aspiration d'air depuis un conduit de fumées unique existant.

**3.11 Remplissage et vidage des installations (fig. 11)**

Une fois les raccordements hydrauliques effectués, il est possible de procéder au remplissage de l'installation.

**REEMPLISSAGE**

- Ouvrez de deux ou trois tours le bouchon du purgeur d'air automatique (A)
- Assurez-vous que le robinet d'entrée d'eau froide soit ouvert
- Ouvrez le robinet de remplissage (B) jusqu'à ce que la pression indiquée sur l'hydromètre soit comprise entre 1 et 1,5 bars.
- Fermez le robinet de remplissage.

**REMARQUE:**

la purge de la chaudière est automatiquement réalisée à travers le purgeur automatique situé sur le circulateur.

Vérifiez que le purgeur soit ouvert.

**VIDAGE**

- Avant de commencer à vider, coupez l'alimentation électrique, en mettant l'interrupteur général de l'installation sur "éteint".
- Fermez le robinet d'arrivée d'eau froide.

**a) Installation de chauffage:**

- Fermez les dispositifs d'arrêt de l'installation thermique
- Raccordez le tuyau fourni en série à la soupape de décharge de l'installation (C)
- Desserrez la soupape de décharge de la chaudière (C)

**b) Installation sanitaire:**

- Ouvrez les robinets d'eau chaude et eau froide et videz les points les plus bas.

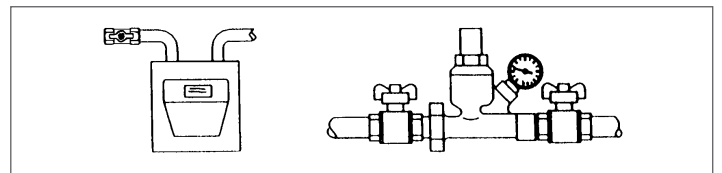


La décharge de la soupape de sécurité (D) de la chaudière doit être raccordée à un système de récolte adéquat. Le constructeur n'est pas responsable des éventuelles inondations causées par l'intervention des soupapes de sécurité.

**4 - MISE EN SERVICE ET ENTRETIEN****4.1 Préparation de la première mise en service**

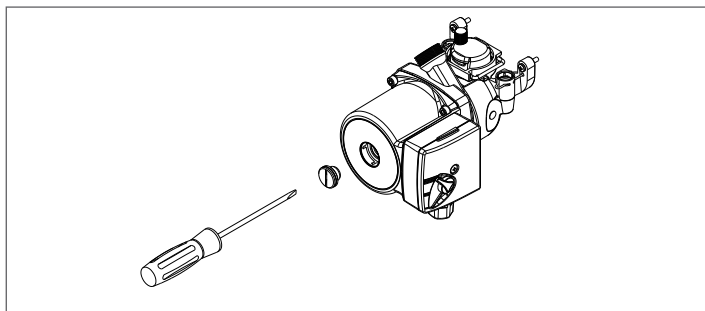
Avant de procéder à l'allumage et au test fonctionnel du système modulaire, il est essentiel de vérifier que:

- les robinets du combustible et de l'eau d'alimentation des installations soient ouverts.



- le type de gaz et la pression d'alimentation soient ceux pour lesquels la chaudière est prédisposée
- vérifiez que le bouchon du purgeur soit ouvert
- la pression du circuit hydraulique, à froid, soit comprise entre 1 et 1,5 bars et le circuit est purgé
- la précharge du vase d'expansion soit adaptée (se référer aux tableaux des données)
- les connexions électriques aient été effectuées correctement
- les conduits d'évacuation des produits de la combustion et d'aspiration de l'air comburant aient été réalisés de manière adéquate
- le circulateur tournent librement; dévissez la vis d'inspection et vérifiez, avec un tournevis plat, que l'arbre du moteur peut se déplacer librement.

Avant de desserrer ou d'enlever le bouchon de fermeture du circulateur, protégez les dispositifs électriques se trouvant en dessous contre d'éventuelles fuites d'eau.

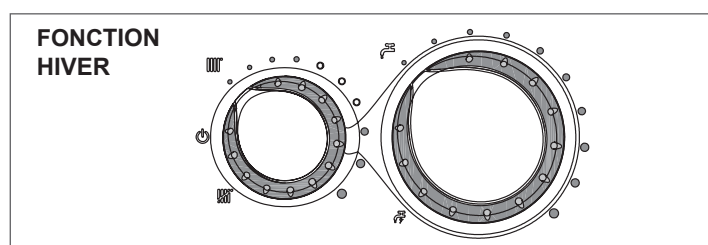


#### 4.2 Avant la mise en service

Pour allumer la chaudière, il est nécessaire d'effectuer les opérations suivantes:

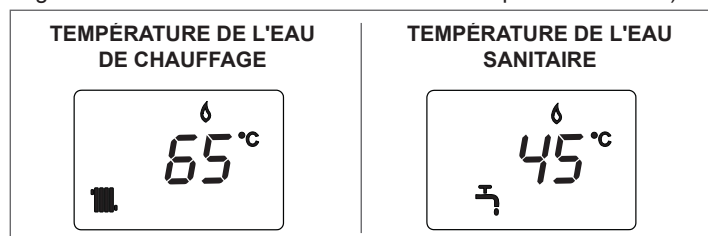
- mettez la chaudière sous tension
  - ouvrez le robinet du gaz pour permettre le flux du combustible
  - réglez le thermostat ambiant à la température souhaitée (~20°C).
- Tournez le sélecteur de fonction dans la position souhaitée:

**HIVER:** en tournant le sélecteur de fonction dans la plage de réglage, la chaudière fournit de l'eau chaude sanitaire et du chauffage. En cas de demande de chaleur, la chaudière s'allume. L'afficheur numérique indique la température de l'eau de chauffage. En cas de demande d'eau chaude sanitaire, la chaudière s'allume. L'afficheur indique la température de l'eau sanitaire.

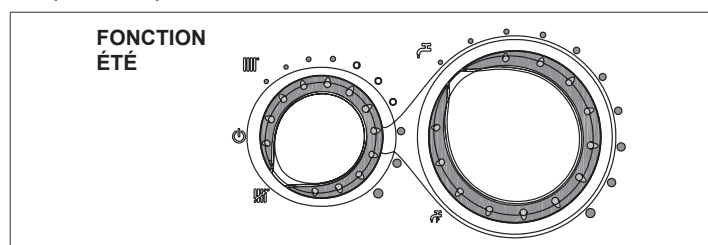


#### RÉGLAGE DE LA TEMPÉRATURE DE L'EAU DE CHAUFFAGE

Pour régler la température de l'eau de chauffage, tourner le sélecteur de fonction dans la plage de réglage (dans le sens horaire pour augmenter la valeur et dans le sens antihoraire pour la diminuer).



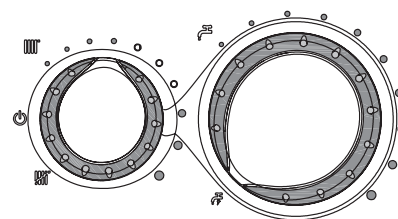
**ÉTÉ:** En tournant le sélecteur sur le symbole été ☀️ seule la fonction traditionnelle d'eau chaude sanitaire s'active. En cas de demande d'eau chaude sanitaire, la chaudière s'allume. L'afficheur numérique indique la température de l'eau sanitaire.



**PRÉCHAUFFAGE (EAU CHAUDE PLUS RAPIDEMENT):** en tournant la poignée réglage température eau sanitaire sur le symbole 🚿 la fonction préchauffage s'active. Mettre alors la poignée de réglage de la température de l'eau sanitaire dans la position souhaitée. Cette fonction permet de maintenir chaude l'eau contenue dans l'échangeur sanitaire afin de réduire les temps d'attente pendant les prélèvements. Quand la fonction préchauffage est activée, l'afficheur montre le symbole **P**. L'afficheur indique la température de refoulement de l'eau de chauffage ou de l'eau sanitaire en fonction de la demande en cours. Lors de l'allumage du brûleur, suite à une demande de préchauffage, l'afficheur montre le symbole **P** clignotant. Pour désactiver la fonction préchauffage, tourner à nouveau la poignée

de réglage de la température de l'eau sanitaire sur le symbole 🚿. Le symbole **P** s'éteint. Remettre la poignée de réglage température eau sanitaire dans la position souhaitée. La fonction n'est pas active avec la chaudière sur OFF: sélecteur de fonction sur ⏻ éteint (OFF).

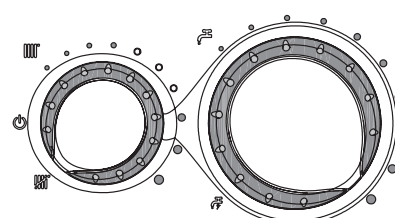
#### PRÉCHAUFFAGE



#### RÉGLAGE DE LA TEMPÉRATURE DE L'EAU SANITAIRE

Pour régler la température de l'eau sanitaire (salles de bains, douche, cuisine, etc.), tourner le bouton portant le symbole 🚿: dans le sens horaire, la température augmente; dans le sens antihoraire, elle diminue (valeur min. 37°C-valeur max 60 °C). La chaudière sera en état de stand-by jusqu'à ce que le brûleur s'allume suite à une demande de chaleur. La chaudière restera en marche jusqu'à ce que les températures sélectionnées soient atteintes ou que la demande de chaleur soit satisfaite, après quoi elle se mettra de nouveau en « stand-by ». En cas d'arrêt momentané, l'afficheur numérique visualise le code de l'anomalie relevée.

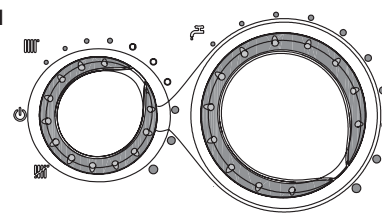
#### RÉGLAGE DE LA TEMPÉRATURE DE L'EAU SANITAIRE



#### Fonction Contrôle Température Chauffage (C.T.R.)

En plaçant le sélecteur de température de l'eau de chauffage dans le secteur mis en évidence par les indicateurs blancs, le système d'auto-réglage S.A.R.A. s'active: en fonction de la température programmée sur le thermostat d'ambiance et du temps utilisé pour l'atteindre, la chaudière varie automatiquement la température de l'eau du chauffage et réduit son temps de fonctionnement afin de garantir un plus grand confort de fonctionnement et une économie d'énergie.

#### C.T.R. FONCTION

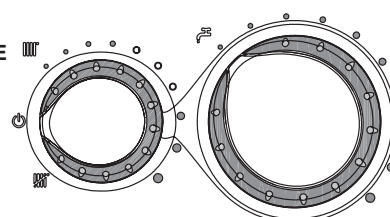


#### Fonction de déblocage

Pour rétablir le fonctionnement éteint, amenez le sélecteur de fonction sur ⏻ éteint, attendez 5-6 secondes puis ramenez le sélecteur de fonction sur la position souhaitée. À ce stade, la chaudière repartira automatiquement.

**REMARQUE:** si les essais de déblocage n'activent pas le fonctionnement, contactez le Centre d'Assistance Technique.

#### FONCTION DE DÉBLOCAGE



### 4.3 Contrôles durant et après la mise en service

Suite à la mise en service, vérifiez que la chaudière **START** effectue correctement les procédures de démarrage et l'extinction successive en agissant sur:

- sélecteur de fonction
- tarage du sélecteur de température eau de chauffage et du sélecteur de température eau sanitaire
- température souhaitée dans la pièce (en intervenant sur le thermostat d'ambiance ou sur le programmateur horaire).

Vérifiez le fonctionnement de l'eau sanitaire en ouvrant un robinet d'eau chaude avec le sélecteur de fonction soit en mode été soit en mode hiver.

Vérifiez l'arrêt total de la chaudière en plaçant l'interrupteur général de l'installation sur "éteint".

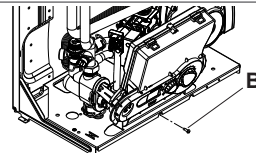
Après quelques minutes de fonctionnement continu obtenu en positionnant l'interrupteur général de l'installation sur "allumé", le sélecteur de fonction sur été et en maintenant l'eau sanitaire ouverte, les liants et les résidus de traitement s'évaporent et il sera alors possible d'effectuer:

- le contrôle de la pression du gaz d'alimentation
- le contrôle de la combustion.

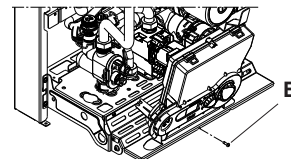
#### Contrôle de la pression du gaz d'alimentation

- Positionnez l'interrupteur général de l'installation sur "éteint"
- Dévissez les vis (A) de fixation de l'enveloppe

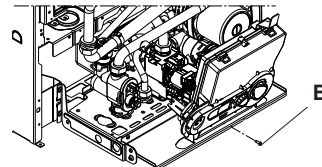
### START 24 KIS



### START 28 KI 28 KIS




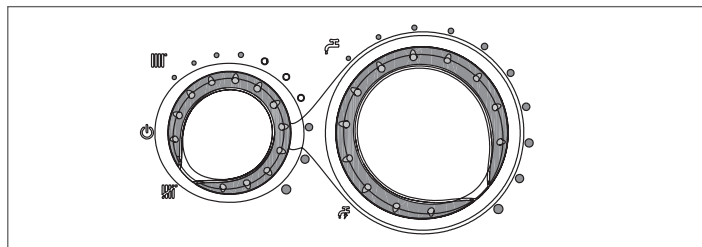
### START 35 KIS



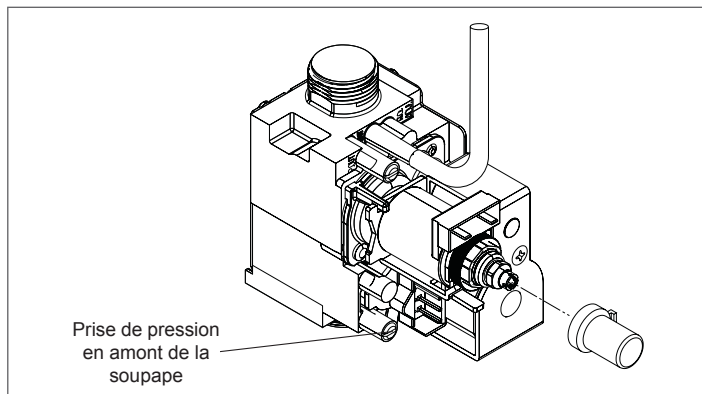
- Dévissez de deux tours environ la vis de la prise de pression située en amont de la soupape du gaz et raccordez le manomètre

Sur le panneau de commande:

- amenez le sélecteur de fonction en mode  (été) et le sélecteur de température de l'eau sanitaire à la valeur maximale




- alimentez électriquement la chaudière en positionnant l'interrupteur général de l'installation sur "allumé"
- ouvrez un robinet d'eau chaude au débit maximum
- vérifiez avec le brûleur allumé à la puissance maximale que la pression du gaz soit comprise entre les valeurs de pression minimale et nominale d'alimentation indiquées dans le tableau multigaz
- fermez le robinet de l'eau chaude
- déconnectez le manomètre et resserrez la vis de la prise de pression en amont de la soupape du gaz.

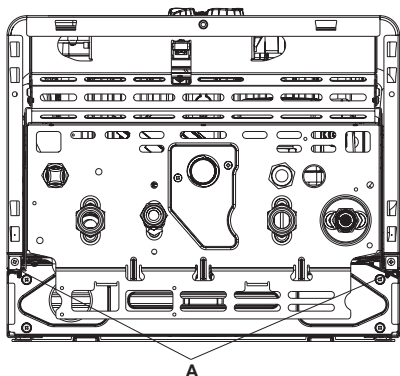


#### Contrôle de la combustion

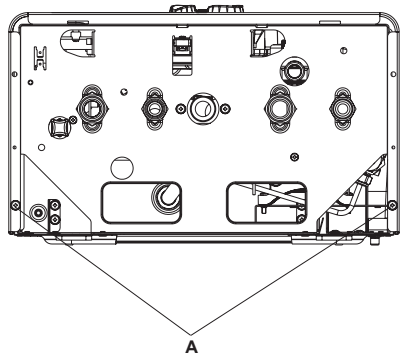
##### START KI

- Installez le kit "Prise analyse des fumées" dans le tronçon du tuyau rectiligne situé après la sortie de la hotte à au moins 400+500 mm de celle-ci (comme il est prescrit par les Normes en vigueur); pour l'installation, suivez les indications fournies avec le kit.
- Positionnez l'interrupteur général de l'installation sur «éteint»
- Amenez le sélecteur de fonction en mode  (été) et le sélecteur de température de l'eau sanitaire à la valeur maximale
- Alimentez électriquement la chaudière en positionnant l'interrupteur général de l'installation sur «allumé»
- Ouvrez un robinet d'eau chaude au débit maximum
- La chaudière fonctionnera à la puissance maximale et il sera possible d'effectuer le contrôle de la combustion.

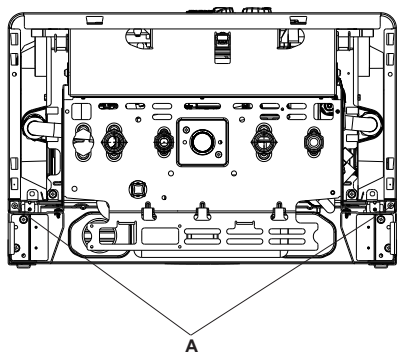
### START 28 KI-28 KIS



### START 24 KIS




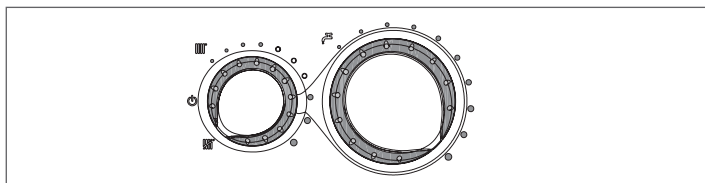
### START 35 KIS



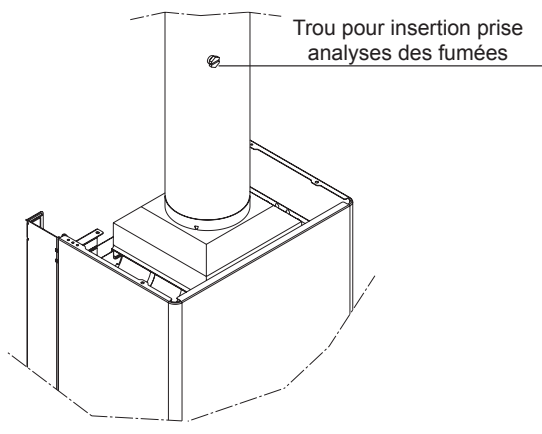
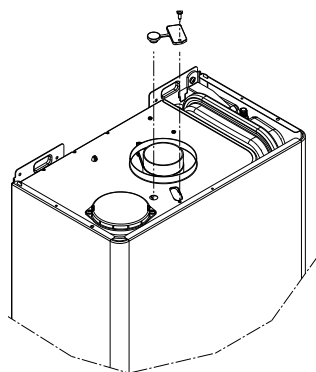
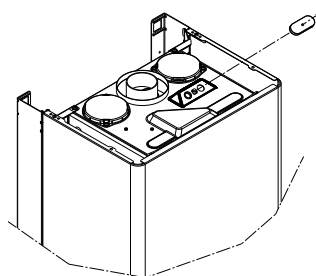
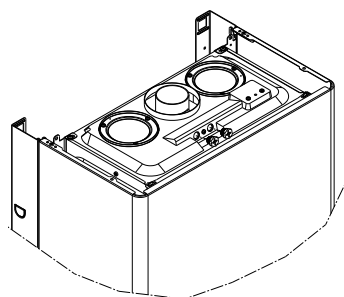
- Déplacez en avant puis vers le haut la base de l'enveloppe pour la décrocher du châssis
- Dévissez la vis de fixation (B) du panneau de commande
- Tournez le panneau de commande en avant

**START KIS**

- Ouvrez un robinet d'eau chaude au débit maximum
- Amenez le sélecteur de fonction en mode  (été) et le sélecteur de température de l'eau sanitaire à la valeur maximale
- Alimentez électriquement la chaudière en positionnant l'interrupteur général de l'installation sur «allumé»
- La chaudière fonctionnera à la puissance maximale et il sera possible d'effectuer le contrôle de la combustion.





- Une fois l'analyse achevée, fermez le robinet de l'eau chaude
- Retirez la sonde de l'analyseur et fermez la prise des analyses
- Fermez le tableau de commande, remontez l'enveloppe en suivant la procédure du démontage dans le sens inverse.

**START  
28 KI****START  
24 KIS****START  
28 KIS****START  
35 KIS**
















Une fois les contrôles effectués:

- positionnez le sélecteur de fonction en mode été ou hiver en fonction de la saison
- réglez les sélecteurs selon les besoins du client.

 La chaudière **START** est fournie pour le fonctionnement à gaz méthane (G20) et peut être transformée en GPL; elle est déjà réglée en usine selon les indications fournies sur la plaque technique, elle ne nécessite donc d'aucune opération de tarage.

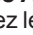
 Tous les contrôles doivent être exclusivement effectués par le Service d'Assistance Technique.

**4.4 Afficheur et codes des anomalies**

ÉTAT DE LA CHAUDIÈRE	AFFICHEUR	TYPE D'ALARME
État éteint (OFF)	ÉTEINT	Aucun
Stand-by	-	Signalisation
Alarme blocage module ACF		
Alarme panne électronique ACF	A01 	Blocage définitif
Alarme thermostat limite	A02 	Blocage définitif
Alarme thermostat fumées (KI)		
Alarme pressostat d'air différentiel (KIS)	A03 	Blocage définitif
Alarme pressostat eau	A04 	Blocage définitif
Panne NTC sanitaire	A06 	Signalisation
Panne NTC chauffage		Arrêt temporaire
Surchauffe sonde refoulement chauffage		Temporaire puis définitif
Alarme différentielle sonde refoulement/retour	A07 	Blocage définitif
Flamme parasite	A11 	Arrêt temporaire
Alarme thermostat installations basse température	A77 	Arrêt temporaire
Transitoire en attente d'allumage	80°C clignotant	Arrêt temporaire
Intervention pressostat eau	 clignotant	Arrêt temporaire
Tarage service		
Tarage installateur	ADJ 	Signalisation
Présence sonde externe		Signalisation
Demande de chaleur sanitaire	60°C 	Signalisation
Demande de chaleur chauffage	80°C 	Signalisation
Demande de chaleur antigel		Signalisation
Flamme présente		Signalisation


**Pour rétablir le fonctionnement (déblocage des alarmes):**

**Anomalies A01-02-03**


Positionnez le sélecteur de fonction sur éteint  (OFF), attendez 5-6 secondes et remettez-le dans la position souhaitée.

Si les essais de déblocage ne réactivent pas la chaudière, demandez l'intervention du Service d'Assistance Technique.

**Anomalie A04**

L'afficheur numérique affiche le code de l'anomalie ainsi que le symbole .

Vérifiez la valeur de pression indiquée par l'hydromètre:

si elle est inférieure à 0,3 bar, positionnez le sélecteur de fonction sur éteint  (OFF) et agissez sur le robinet de remplissage jusqu'à ce que la pression atteigne une valeur comprise entre 1 et 1,5 bars. Positionnez successivement le sélecteur de fonction dans la position souhaitée.

Si les baisses de pression sont fréquentes, demandez l'intervention du Service d'Assistance Technique.

**Anomalie A06**

La chaudière fonctionne normalement, mais ne garantit pas la stabilité de la température de l'eau sanitaire qui reste programmée à une température d'environ à 50°C.

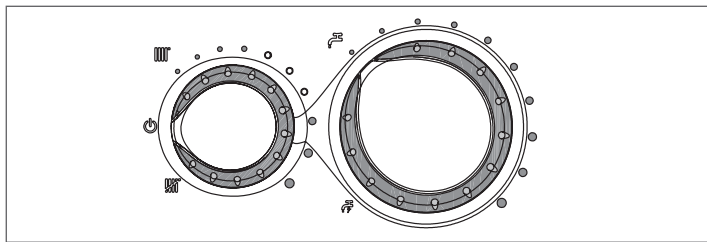
L'intervention du Service d'Assistance Technique est nécessaire.

**Anomalie A07**

L'intervention du Service d'Assistance Technique est nécessaire.

### 4.5 Extinction temporaire

En cas d'absences temporaires, fin de semaine, voyages brefs, etc. positionnez le sélecteur de fonction sur **OFF** (OFF).



En laissant l'alimentation électrique et l'alimentation du combustible activées, la chaudière est protégée par les systèmes:

- **Antigel**

La fonction démarre si la température de l'eau en chaudière descend en-dessous de 5°C, le circulateur s'active pour un cycle temporisé de 15' toutes les 2 heures avec la logique suivante: le circulateur s'éteint lorsque la température de l'eau de la chaudière dépasse 10°C; le brûleur s'allume au minimum en fonction du chauffage lorsque la température de l'eau chaude descend en-dessous de 5° jusqu'à ce que la température de l'eau atteigne 30°, il y a ensuite une post-circulation de 30 secondes.

- **Anti-blocage du circulateur**

Le circulateur s'active après 24 heures d'arrêt et toutefois 3 heures après le dernier prélèvement sanitaire.

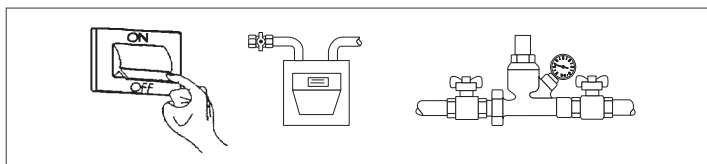
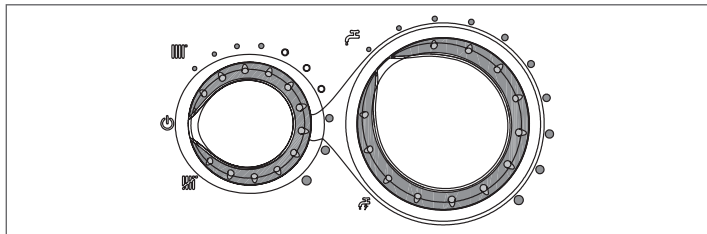
### 4.6 Extinction à long terme

La non-utilisation de la chaudière **START** pendant une longue période comporte la réalisation des opérations suivantes:

- positionnez le sélecteur de fonction sur **OFF** (éteint-débloqué)
- positionnez l'interrupteur général de l'installation sur "éteint"
- fermez les robinets de combustible et de l'eau de l'installation thermique et sanitaire.

⚠ Dans ce cas, les systèmes antigel et antiblocage du circulateur sont désactivés.

⚠ Videz l'installation thermique et sanitaire s'il y a un risque de gel.



### 4.7 Entretien

L'entretien périodique est une «obligation» prévue par les normes en vigueur et il est essentiel pour la sécurité, le rendement et la durée de la chaudière.

Il permet de réduire la consommation, les émissions polluantes et de permettre au produit de rester fiable dans le temps.

Avant de commencer les opérations d'entretien:

- effectuer l'analyse des produits de la combustion puis vérifier l'état de fonctionnement de la chaudière puis couper l'alimentation électrique en positionnant l'interrupteur général de l'installation sur "éteint"
- fermer les robinets du combustible et de l'eau du système thermique et sanitaire.

Contrôler systématiquement l'appareil à intervalles réguliers pour s'assurer qu'il fonctionne correctement et efficacement et qu'il soit conforme aux dispositions de loi en vigueur. La fréquence des contrôles dépend des conditions d'installation et d'utilisation, ceci étant, il est nécessaire de faire effectuer un contrôle intégral par le personnel autorisé du Service Après-vente une fois par an.

- Contrôler et comparer les prestations de la chaudière selon les spécifications relatives.

- Toute cause de détérioration visible doit immédiatement être identifiée et éliminée.
- Rechercher minutieusement sur la chaudière tout dommage ou détérioration, notamment au niveau du système d'évacuation et d'aspiration et du circuit électrique.
- Contrôler et régler – le cas échéant – tous les paramètres du brûleur.
- Contrôler et régler – le cas échéant – la pression du système.
- Analyser la combustion. Comparer les résultats avec les spécifications du produit.
- Toute baisse de prestation est à identifier et à corriger en localisant et en éliminant la cause.
- S'assurer que l'échangeur de chaleur principal soit propre et dépourvu de résidus ou d'obstructions; si nécessaire, le nettoyer.
- Contrôler et nettoyer – le cas échéant – le bac à condensation pour s'assurer qu'il fonctionne convenablement.

⚠ Toujours couper l'alimentation sur l'appareil et fermer le gaz à l'aide du robinet de gaz sur la chaudière avant d'effectuer toute procédure d'entretien et de nettoyage.

⚠ Après avoir effectué les opérations d'entretien nécessaires, rétablir les réglages d'origine et effectuer l'analyse des produits de combustion pour vérifier le bon fonctionnement.

⚠ Ne pas nettoyer l'appareil ou toute autre pièce utilisant des produits inflammables (par exemple essence, alcool, etc.).

⚠ Ne pas nettoyer les panneaux, les pièces émaillées et en plastique aux solvants pour peinture.

⚠ Les panneaux sont à nettoyer au savon ordinaire et à l'eau uniquement.

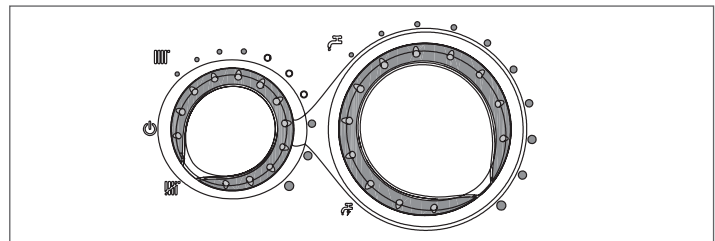
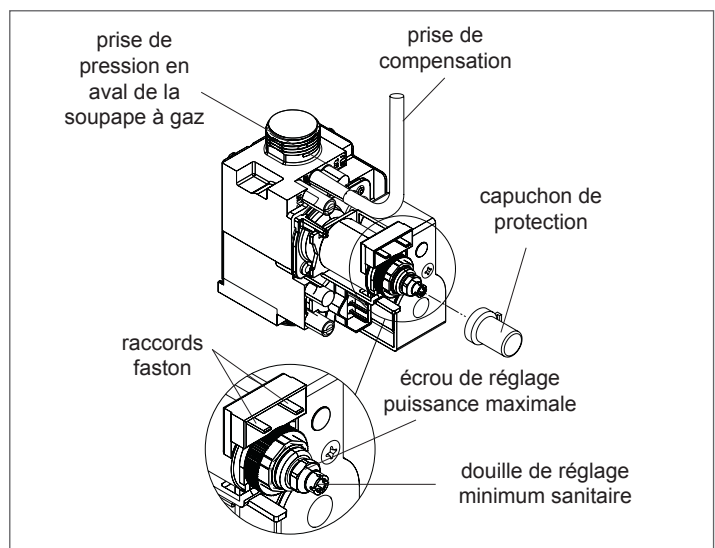
### 4.8 Réglages

Les chaudières **START** sont fournies pour le fonctionnement à gaz méthane (G20) et ont été réglées en usine selon les indications fournies sur la plaque signalétique technique.


S'il devait cependant s'avérer nécessaire de procéder à nouveaux aux réglages, par exemple après un entretien extraordinaire, le remplacement de la soupape du gaz ou bien après une transformation du gaz méthane en GPL ou vice versa, veuillez procéder comme décrit ci-dessous.

Les réglages de la pression maximale et minimale et du chauffage maximale doivent être obligatoirement effectués selon la séquence indiquée et exclusivement par du personnel qualifié.

- Positionnez l'interrupteur général de l'installation sur "éteint"
- Dévissez les vis de fixation de l'enveloppe.
- Dévissez la vis de fixation du panneau de commande et le tournez en avant.
- Dévissez de deux tours environ la vis de la prise de pression située en amont de la soupape du gaz et raccordez le manomètre.
- Déconnectez la prise de compensation du caisson d'air (uniquement modèle KIS).



### Réglage de la puissance maximale et minimale de l'eau sanitaire

- Ouvrez un robinet d'eau chaude au débit maximum
- Sur le panneau de commande, amenez le sélecteur de fonction en mode  (été) et amenez le sélecteur de température d'eau sanitaire à la valeur maximale
- Alimentez électriquement la chaudière en positionnant l'interrupteur général de l'installation sur "allumé"
- Vérifiez que la pression lue sur le manomètre soit stable; ou bien à l'aide d'un milli-ampèremètre (en série avec un fil du modulateur), assurez-vous que le courant maximum disponible (120 mA pour G20, et 165 mA pour GPL) soit distribué au modulateur.
- Retirez le capuchon de protection des vis de réglage en faisant levier, avec attention, avec un tournevis
- À l'aide d'une clé à fourche CH 10, agissez sur l'écrou de réglage de la puissance maximale pour obtenir la valeur indiquée dans le **tableau 1**

**TABLEAU 1**

Pression maximale en aval de la soupape (tolérance $\pm 10\%$ )	GAZ MÉTHANE (G20)	GAZ LIQUIDE		
		BUTANE (G30)	PROPANE (G31)	
START 28 KI	12,70	27,00	35,20	mbar
START 24 KIS	11,80	27,80	35,80	mbar
START 28 KIS	11,30	28,00	36,00	mbar
START 35 KIS	9,60	-	35,00	mbar

- Déconnectez un faston du modulateur
- Attendez que la pression lue sur le manomètre se stabilise à la valeur minimale
- À l'aide d'une clé Allen, en faisant attention à ne pas presser l'arbre interne, agissez sur la vis rouge de réglage du minimum sanitaire et réglez jusqu'à lire sur le manomètre la valeur indiquée sur le **tableau 2**.

**TABLEAU 2**

Pression minimale en aval de la soupape (tolérance $\pm 10\%$ )	GAZ MÉTHANE (G20)	GAZ LIQUIDE		
		BUTANE (G30)	PROPANE (G31)	
START 28 KI	1,00	2,30	2,90	mbar
START 24 KIS	1,50	3,30	4,30	mbar
START 28 KIS	1,60	3,60	4,80	mbar
START 35 KIS	1,10	-	4,40	mbar

- Reconnectez le faston du modulateur
- Fermez le robinet de l'eau chaude sanitaire

### Réglage électrique du minimum et maximum du chauffage

- ⚠ La fonction "réglage électrique" est activée et désactivée exclusivement par le jumper (JP1).

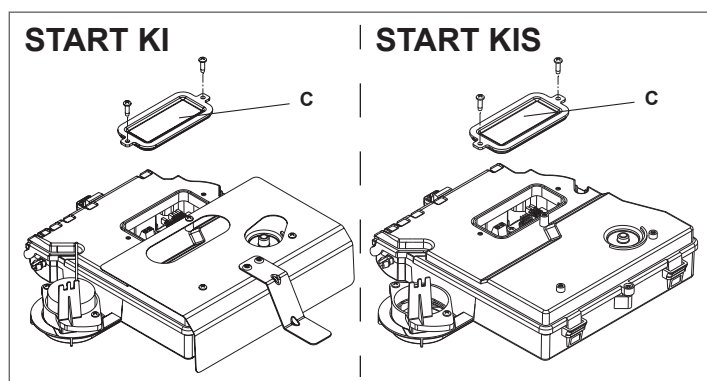
L'activation de la fonction peut être effectuée selon les façons suivantes:

- en alimentant la carte avec le jumper JP1 activé et le sélecteur de fonction en position hiver, indépendamment de l'éventuelle présence d'autres demandes de fonctionnement
- en activant le jumper JP1, avec le sélecteur de fonction en état hiver, sans de demande de chaleur en cours.

- ⚠ L'activation de la fonction prévoit l'allumage du brûleur à travers la simulation d'une demande de chaleur en chauffage.

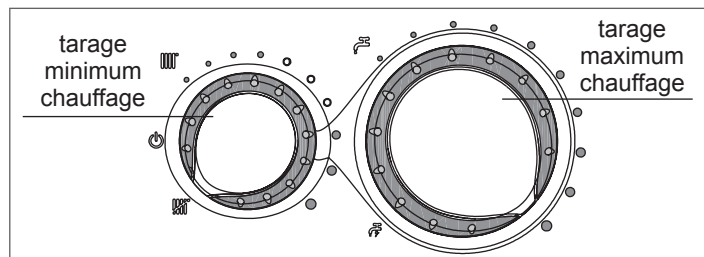
Pour effectuer les opérations de tarage, agissez ainsi:

- éteignez la chaudière
- retirez l'enveloppe et tournez le panneau de commande en avant



- accédez à la carte après avoir dévissé les vis
- insérez le jumper JP1 pour activer les boutons situés sur le panneau de commande aux fonctions de réglages de minimum et du maximum du chauffage
- assurez-vous que le sélecteur de fonction soit sur la position hiver
- mettez la chaudière sous tension.

- ⚠ Carte électrique sous tension (230 Volt).



- Tournez le bouton de réglage de température d'eau de chauffage jusqu'à atteindre la valeur minimale de chauffage comme il est indiqué dans le **tableau 3**

**TABLEAU 3**

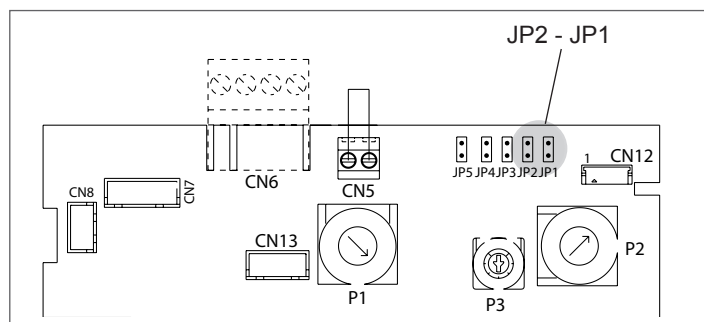
Pression minimale du chauffage en aval de la soupape (tolérance $\pm 10\%$ )	GAZ MÉTHANE (G20)	GAZ LIQUIDE		
		BUTANE (G30)	PROPANE (G31)	
START 28 KI	2,60	5,50	7,10	mbar
START 24 KIS	1,50	3,30	4,30	mbar
START 28 KIS	2,25	5,20	6,80	mbar
START 35 KIS	1,10	-	4,40	mbar


- Activez le jumper JP2
- Tournez le bouton de réglage de température d'eau sanitaire jusqu'à atteindre la valeur maximale de chauffage comme il est indiqué dans le **tableau 4**

**TABLEAU 4**

Pression maximale du chauffage en aval de la soupape (tolérance $\pm 10\%$ )	GAZ MÉTHANE (G20)	GAZ LIQUIDE		
		BUTANE (G30)	PROPANE (G31)	
START 28 KI	12,70	27,00	35,20	mbar
START 24 KIS	11,80	27,80	35,80	mbar
START 28 KIS	11,30	28,00	36,00	mbar
START 35 KIS	9,60	-	35,00	mbar

- Retirez le jumper JP2 pour mémoriser la valeur maximale de chauffage
- Retirez le jumper JP1 pour mémoriser la valeur minimale de chauffage et pour sortir de la procédure de tarage
- Connectez la prise de compensation au caisson d'air (uniquement modèle KIS)
- Déconnectez le manomètre et resserrez la vis de la prise de pression.



- ⚠ Pour terminer la fonction de tarage sans la mémorisation des valeurs programmées, opérez selon l'une des façons suivantes:
  - amenez le sélecteur de fonction en position  (éteint-débloqué)
  - coupez la tension d'alimentation.

- ⚠ La fonction de tarage est automatiquement conclue, sans la mémorisation des valeurs de minimum et maximum, 15 minutes après son activation.

**!** La fonction est automatiquement conclue même en cas d'arrêt ou blocage définitif. Même dans ce cas, la conclusion de la fonction NE prévoit pas la mémorisation des valeurs.

**REMARQUE:** pour effectuer uniquement le tarage du maximum du chauffage, il est possible de retirer le jumper JP2 (pour mémoriser le maximum) et de sortir successivement de la fonction, sans mémoriser le minimum, en amenant le sélecteur de fonction sur **OFF** ou en coupant la tension à la chaudière.

**!** Après chaque intervention effectuée sur l'organe de réglage de la soupape du gaz, scellez celui-ci avec de la laque scellante.

#### 4.9 Transformation d'un type de gaz à l'autre

La chaudière est fournie pour le fonctionnement à gaz méthane (G20) selon les indications fournies sur la plaque signalétique technique. Elle peut toutefois être transformée d'un type de gaz à l'autre en utilisant les kits spéciaux fournis sur demande:

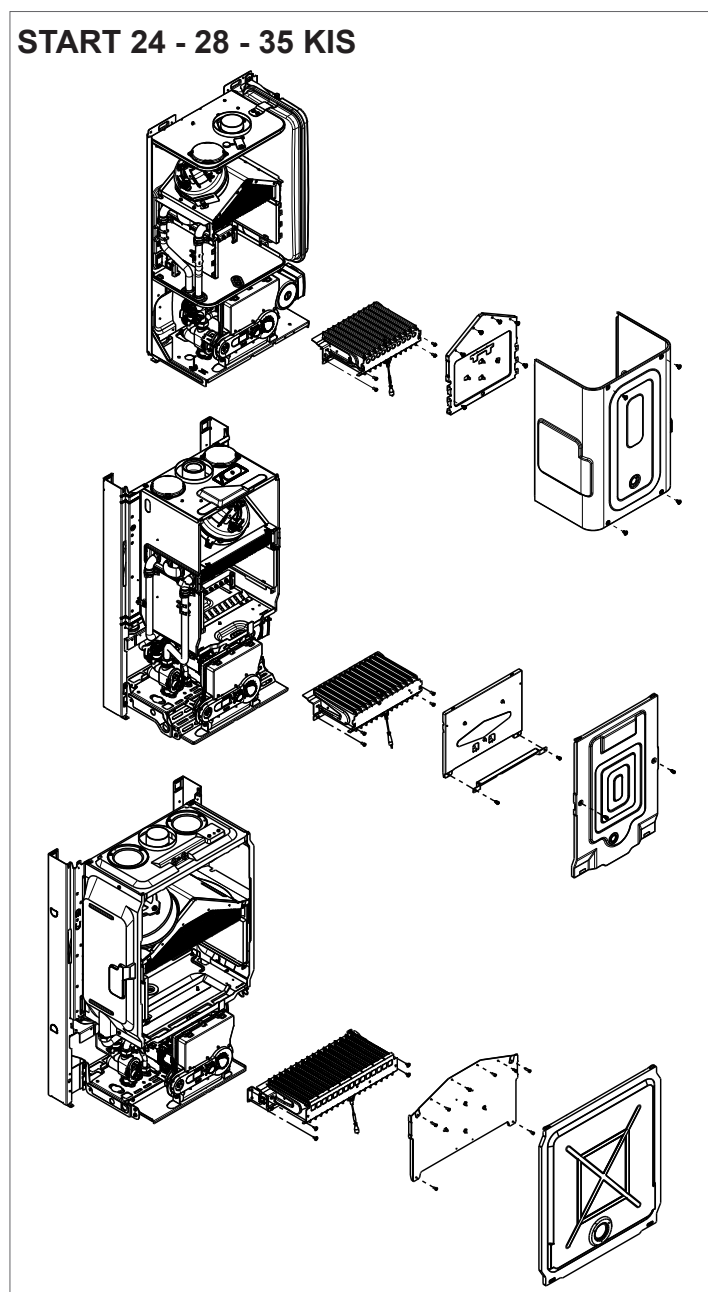
- kit de transformation Méthane
- kit de transformation GPL.

**!** La transformation doit être effectuée seulement par le Service d'Assistance Technique ou par du personnel autorisé même avec une chaudière déjà installée.

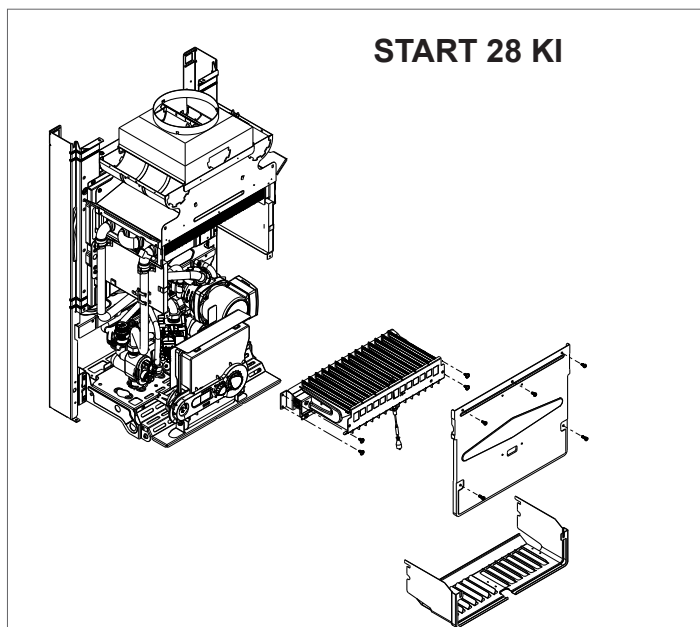
**!** Pour le montage, référez-vous aux instructions fournies avec le kit.

**!** Une fois la transformation effectuée, réglez à nouveau la chaudière en suivant ce qui est indiqué dans le paragraphe spécifique et appliquez la nouvelle plaque signalétique contenue dans le kit.

### START 24 - 28 - 35 KIS

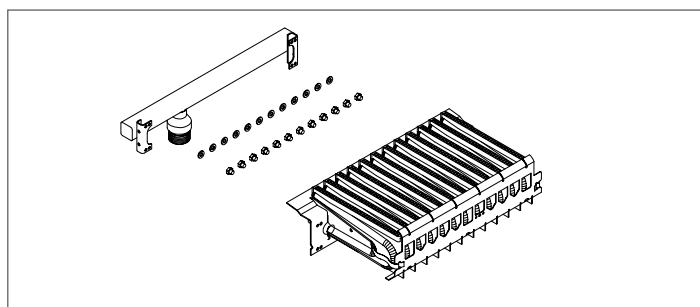


### START 28 KI



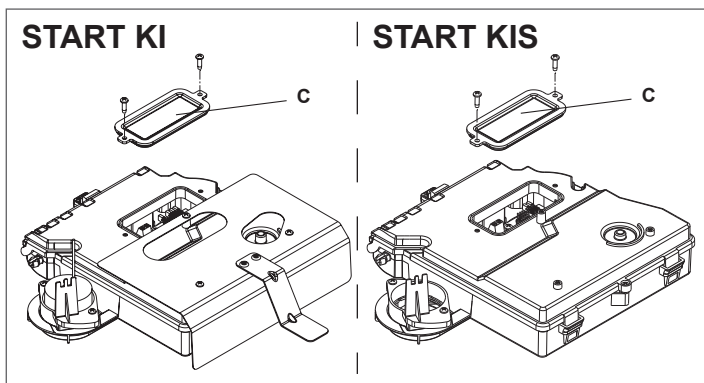
**En cas de transformation du gaz Méthane à GPL, procédez comme il est décrit ci-dessous:**

- Coupez l'alimentation électrique de la chaudière et fermez le robinet du gaz
- Retirez dans l'ordre:
  - START KI:** enveloppe, carénage inférieur et couvercle de la chambre de combustion
  - START KIS:** enveloppe, couvercle caisson d'air et couvercle de la chambre de combustion
- Débranchez le câble de la bougie
- **START KI:** dévissez les vis de fixation du brûleur et enlevez le brûleur avec la bougie montée
- **START KIS:** enlevez le passe-câble du siège du caisson à air, dévissez les vis de fixation du brûleur et enlevez le brûleur avec la bougie et les câbles montés
- En utilisant une clé à douille ou à fourches, retirez les buses et les rondelles, puis remplacez-les avec celles présentes dans le kit



**!** Utilisez et montez obligatoirement les rondelles contenues dans le kit même en cas de collecteurs sans rondelles.

- Réactivez le brûleur dans la chambre de combustion et vissez les vis qui le fixent au collecteur du gaz
- **START KIS:** positionnez le passe-câble avec les câbles de la bougie dans le siège sur le caisson à air
- Rebranchez le câble de la bougie
- Remontez:
  - START KI:** couvercle de la chambre de combustion et carénage inférieur
  - START KIS:** couvercle de la chambre de combustion et couvercle du caisson à air
- Tournez le panneau de commande en avant
- Retirez le couvercle (C) pour accéder à la carte de contrôle



**Pour la transformation de MTN à GPL:** insérez le pontet en position JP3.

**Pour la transformation de GPL à MTN:** insérez le pontet depuis la position JP3.

- Remettez la chaudière sous tension et rouvrez le robinet du gaz
- Réglez la chaudière selon les indications dans le chapitre spécifique "Réglages"; l'opération doit être réalisée exclusivement par le Service d'Assistance Technique.
- Refermez le couvercle
- Appliquez l'autocollant d'identification du combustible présente dans le kit à la place de celui déjà présent
- Remontez l'enveloppe.

#### 4.10 Nettoyage de la chaudière

Avant toute opération de nettoyage, coupez l'alimentation électrique en mettant l'interrupteur général de l'installation sur "éteint".

##### Nettoyage externe

Nettoyez l'enveloppe, le panneau de commande, les parties peintes et les parties en plastique avec des chiffons humidifiés avec de l'eau et du savon.

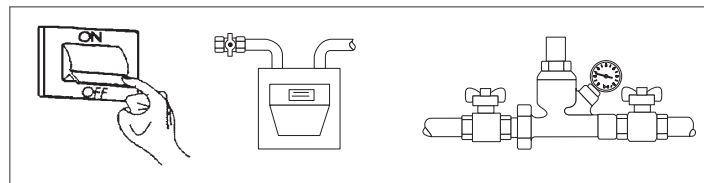
En cas de taches tenaces, humidifiez le chiffon avec un mélange à 50% d'eau et d'alcool dénaturé ou de produits spécifiques.

- ⊖ Ne pas utiliser de carburants et/ou éponges imbibées de solutions abrasives ou détergents en poudre.

##### Nettoyage interne

Avant de commencer le nettoyage de la partie interne:

- fermez les robinets d'arrêt du gaz
- fermez les robinets des installations.



## UTILISATEUR

### A - Avertissements généraux

⚠ Dès la réception du produit, vérifiez que la fourniture soit en bon état et complète et, en cas d'absence de conformité par rapport à la commande passée, contactez l'Agence Riello qui a vendu l'appareil.

⚠ L'installation de la chaudière **START** doit être effectuée par une entreprise autorisée qui délivrera au propriétaire à la fin des travaux la déclaration de conformité d'installation réalisée selon les règles de l'art, c'est à dire conformément aux Normes Nationales et Locales en vigueur et aux indications fournies par Riello dans le manuel d'instructions fourni avec l'appareil.

⚠ La chaudière **START** doit être destinée à l'utilisation prévue par Riello et pour laquelle elle a été expressément réalisée. Aucune responsabilité contractuelle et extra-contractuelle de Riello ne sera reconnue pour les lésions ou dommages causés aux personnes, animaux ou choses dus à des erreurs d'installation, de réglage ou d'entretien ou à des utilisations impropres.

⚠ En cas de fuite d'eau, débranchez la chaudière du réseau d'alimentation électrique, fermez l'alimentation hydrique et contactez immédiatement le Service d'Assistance Technique ou bien du personnel professionnellement qualifié.

⚠ Vérifiez régulièrement que la pression de fonctionnement de l'installation hydraulique soit inférieure à 1 bar et inférieure au seuil maximum prévu pour l'appareil. Dans ce cas contraire, contactez le Service d'Assistance Technique ou bien du personnel professionnellement qualifié.

⚠ La chaudière **START** est équipée d'un thermostat des fumées positionné sur le côté droit de la hotte et qui, en cas de reflux des produits de la combustion, arrête immédiatement le fonctionnement de la chaudière.

⚠ L'intervention du thermostat des fumées indique un dysfonctionnement de la chaudière, contactez donc immédiatement le service d'Assistance Technique.

⚠ La non-utilisation de la chaudière pendant une longue période comporte la réalisation des opérations qui suivent:

- positionnez l'interrupteur principal de l'appareil sur "OFF"
- positionnez l'interrupteur général de l'installation sur "éteint"
- fermez les robinets du combustible et de l'eau de l'installation thermique
- videz l'installation thermique et sanitaire s'il y a un risque de gel.

⚠ L'entretien de la chaudière doit être effectué au moins une fois par an.

⚠ Ce manuel et celui pour l'Installateur et pour le Service d'Assistance Technique font partie intégrante de l'appareil; par conséquent, ils doivent être conservés avec soin et devront

toujours accompagner la chaudière, même s'ils sont cédés à un autre propriétaire ou utilisateur dans le cas d'un transfert vers une autre installation. En cas d'endommagement ou de perte, demandez un autre exemplaire au Service d'Assistance Technique de votre zone.

⚠ La fonction anti-blocage du circulateur s'active après 24 heures d'arrêt de fonctionnement avec le sélecteur de fonction sur n'importe quelle position.

⚠ Pour l'installation, il est conseillé de s'adresser au personnel spécialisé.

⚠ Les bouches d'aération sont indispensables pour une combustion correcte et pour la sécurité (uniquement modèle KI).

⚠ Le produit en fin de vie ne doit pas être éliminé comme un déchet solide urbain, mais doit être remis à un centre de tri sélectif.

### B - Règles fondamentales de sécurité

Nous rappelons que l'utilisation d'appareils qui emploient des combustibles, de l'énergie électrique et de l'eau comporte le respect de certaines règles de sécurité fondamentales telles que:

⊖ Il est interdit d'actionner des dispositifs ou des appareils électriques, tels que des interrupteurs, des électroménagers, etc. si vous sentez une odeur de combustible ou de gaz imbrûlés. Dans ce cas:

- aérez la pièce en ouvrant les portes et les fenêtres;
- fermez le dispositif d'interception du combustible;
- contactez immédiatement le Service d'Assistance Technique ou un personnel professionnellement qualifié.

⊖ Il est interdit de toucher l'appareil en étant pieds nus ou en ayant des parties du corps mouillées.

⊖ Ne pas effectuer d'intervention technique ou de nettoyage sans avoir débranché l'appareil du réseau d'alimentation électrique en positionnant l'interrupteur général de l'installation sur "éteint" et l'interrupteur principal de la chaudière sur "OFF".

⊖ Il est interdit de modifier les dispositifs de sécurité ou de réglage sans l'autorisation et les indications du constructeur de l'appareil.

⊖ Il est interdit de tirer, détacher ou tordre les câbles électriques qui sortent de l'appareil, même si ce dernier est débranché du réseau d'alimentation électrique.

⊖ Il est interdit de boucher ou réduire les bouches d'aération de la pièce d'installation. Les bouches d'aération sont indispensables pour une combustion correcte.

⊖ Il est interdit d'exposer l'appareil aux agents atmosphériques car il n'est pas conçu pour fonctionner à l'extérieur.

⊖ Il est interdit de laisser des récipients et des substances inflammables dans la pièce d'installation de la chaudière.

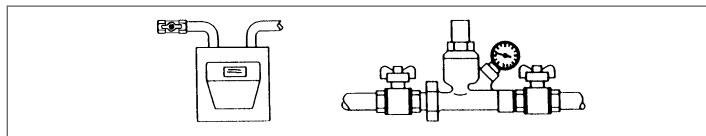
- ⊖ Cet appareil ne doit pas être utilisé par des personnes (enfants inclus) présentant une déficience physique, sensorielle, mentale, ou avec peu d'expérience et de connaissance de l'appareil, à moins qu'elles soient surveillées ou formées pour son utilisation en toute sécurité par une personne responsable.
- ⊖ Il est interdit de jeter dans la nature et de laisser à la portée des enfants le matériel d'emballage qui peut constituer une source de danger potentielle. Veuillez les éliminer conformément aux dispositions prévues par la législation en vigueur.
- ⊖ Il est interdit de débrancher la chaudière du réseau d'alimentation électrique et de fermer le robinet du gaz si la température est susceptible de descendre sous le zéro, car le système antigel de 1er niveau (voir le chapitre de l'extinction temporaire) serait désactivé.
- ⊖ Il est interdit d'intervenir sur des éléments scellés.
- ⊖ Il est interdit de poser sur la chaudière des objets susceptibles de générer un danger.

### C - Mise en service

La première mise en service de la chaudière doit être effectuée par le Service d'Assistance Technique, ce après quoi la chaudière pourra fonctionner automatiquement. Il pourra toutefois être nécessaire de remettre la chaudière en marche sans faire appel au Service Technique: par exemple, après une période de longue absence.

Dans ces cas, les contrôles et les opérations suivantes devront être effectués:

- Vérifiez que les robinets du combustible et de l'eau de l'installation thermique et sanitaire soient ouverts.

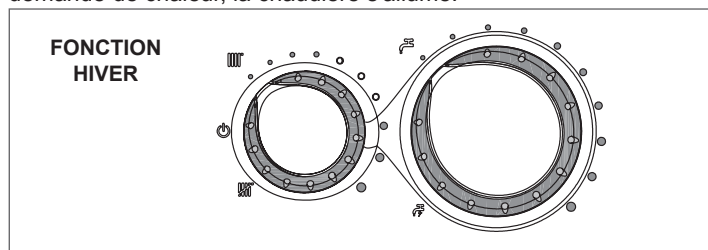


- Vérifiez l'état fonctionnel des appareils de filtration et/ou traitement de l'eau de consommation.
- Vérifiez que la pression du circuit hydraulique, à froid, soit toujours comprise entre 1 bar et 1,5 bars
- Réglez le thermostat d'ambiance à la température souhaitée (~20°C) ou bien, si l'installation est équipée d'un chrono-thermostat ou d'un programmeur horaire qui soit "activé" et réglé (~20°C)

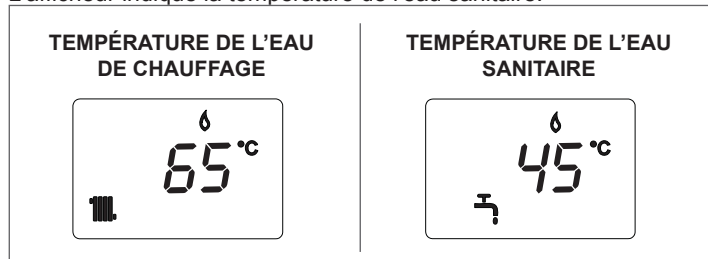
Positionnez le sélecteur de fonction dans la position souhaitée:

#### Fonction hiver

En tournant le sélecteur de fonction à l'intérieur de la plage de réglage, la chaudière fournit de l'eau chaude sanitaire et chauffage. En cas de demande de chaleur, la chaudière s'allume.

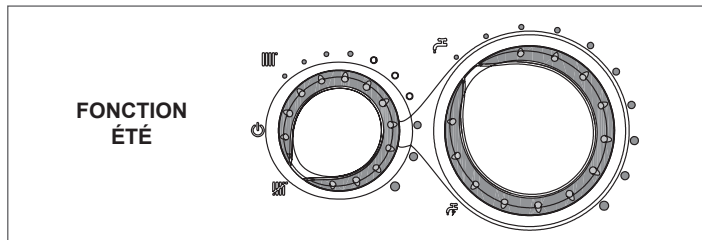


L'afficheur numérique indique la température de l'eau de chauffage. En cas de demande d'eau chaude sanitaire, la chaudière s'allume. L'afficheur indique la température de l'eau sanitaire.



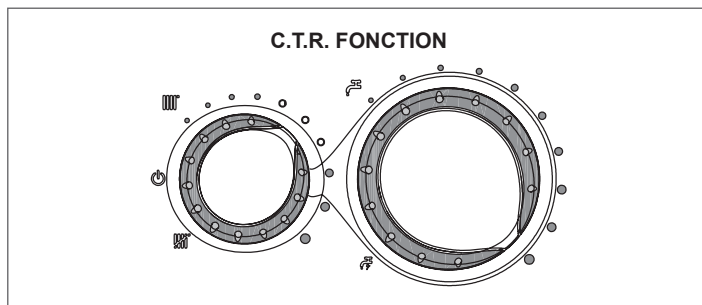
#### Fonction été

En tournant le sélecteur sur le symbole été ☀️, seule la fonction traditionnelle d'eau sanitaire s'active. En cas de demande d'eau chaude sanitaire, la chaudière s'allume. L'afficheur numérique indique la température de l'eau sanitaire.



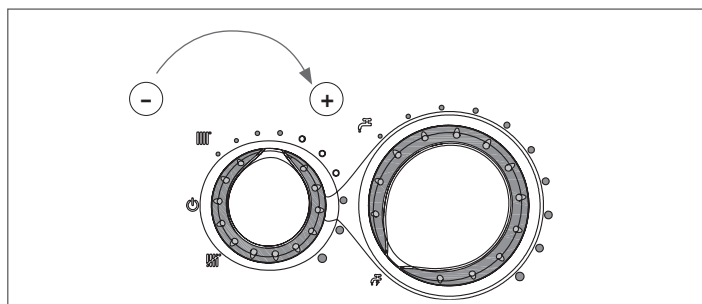
#### Fonction Contrôle Température Chauffage (C.T.R.)

En positionnant le sélecteur de la température de l'eau de chauffage dans le secteur indiqué dans la figure, le système d'auto-régulation C.T.R. s'active: en fonction de la température réglée sur le thermostat d'ambiance et du temps utilisé pour l'atteindre, la chaudière varie automatiquement la température de l'eau de chauffage en réduisant le temps de fonctionnement, permettant ainsi un confort de fonctionnement majeur et une économie d'énergie.



### D - Réglage de la température de chauffage

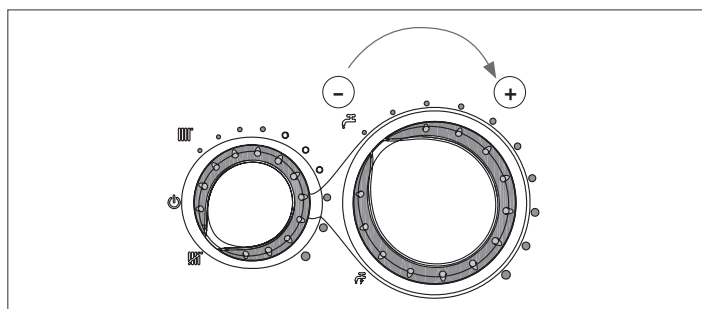
Pour régler la température de l'eau de chauffage, tournez le sélecteur de fonction à l'intérieur de la plage de réglage (dans le sens horaire pour augmenter la valeur et dans le sens antihoraire pour la diminuer).



### E - Réglage de la température de l'eau sanitaire

Pour régler la température de l'eau sanitaire (salles de bain, douche, cuisine, etc.), tournez le bouton avec le symbole 🚿:

- dans le sens horaire pour augmenter la valeur,
- dans le sens antihoraire pour la diminuer (valeur min. 37°C- valeur max 60 °C).




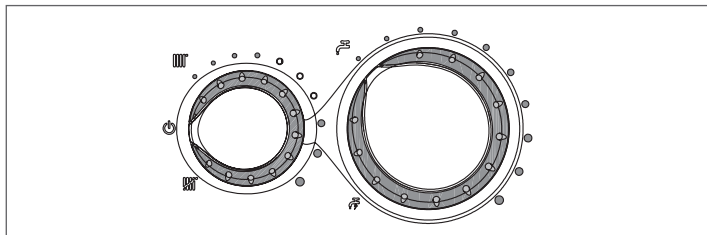
La chaudière est dans un état de stand-by jusqu'à ce que, suite à une demande de chaleur, le brûleur s'allume.

La chaudière restera en marche jusqu'à ce que les températures réglées seront atteintes ou jusqu'à ce que la demande de chaleur sera satisfaite, ce après quoi elle reviendra à nouveau en état de "stand-by".

## F - Extinction temporaire


En cas d'absences temporaires, week-ends, brefs déplacements, etc. :

- Positionnez le sélecteur de fonction sur  (OFF).



De cette façon, en laissant l'alimentation électrique et l'alimentation du combustible activées, la chaudière est protégée par les systèmes:

### Antigel


La fonction démarre si la température de l'eau en chaudière descend en-dessous de 5°C, le circulateur s'active pour un cycle temporisé de 15' toutes les 2 heures avec la logique suivante: le circulateur s'éteint lorsque la température de l'eau de la chaudière dépasse 10°C; le brûleur s'allume au minimum en fonction du chauffage lorsque la température de l'eau chaude descend en-dessous de 5° jusqu'à ce que la température de l'eau atteigne 30°, il y a ensuite une post-circulation de 30 secondes. Durant le cycle antigel, le symbole  apparaît sur l'afficheur numérique.

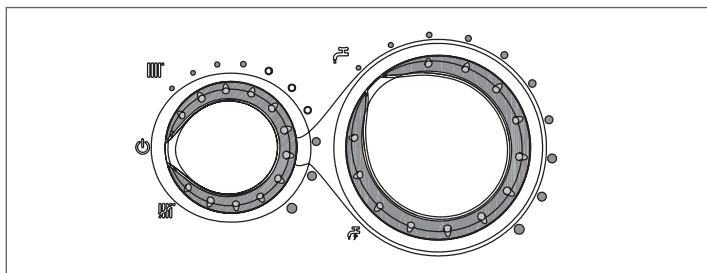
### Anti-blocage du circulateur

Le circulateur s'active après 24 heures d'arrêt et toutefois 3 heures après le dernier prélèvement sanitaire.

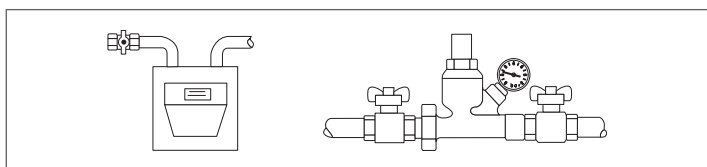
## G - Extinction à long terme


En cas d'inutilisation de la chaudière pendant une longue période, effectuez les opérations suivantes:

- positionnez le sélecteur de fonction sur  (OFF)
- positionnez l'interrupteur général de l'installation sur "éteint"



- fermez les robinets du combustible et de l'eau de l'installation thermique et sanitaire













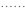


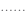

 Dans ce cas, les systèmes antigel et antiblocage sont désactivés. Videz l'installation thermique et sanitaire s'il y a un risque de gel.

 Le Service d'Assistance Technique est à disposition si la procédure susmentionnée n'est pas facilement réalisable.

## H - Afficheur et codes des anomalies

L'état de fonctionnement de la chaudière est indiqué par l'afficheur numérique; nous énumérons ci-dessous les typologies d'affichage.


ÉTAT DE LA CHAUDIÈRE	AFFICHEUR	TYPE D'ALARME
État éteint (OFF)	ÉTEINT	Aucun
Stand-by	-	Signalisation
Alarme blocage module ACF		
Alarme panne électronique ACF	A01 	Blocage définitif
Alarme thermostat limite	A02 	Blocage définitif
Alarme thermostat fumées (KI) Differential air pressure switch alarm (KIS)	A03 	Blocage définitif

ÉTAT DE LA CHAUDIÈRE	AFFICHEUR	TYPE D'ALARME
Alarme pressostat eau	A04 	Blocage définitif
Panne NTC sanitaire	A06 	Signalisation
Panne NTC chauffage		Arrêt temporaire
Surchauffe sonde refoulement chauffage	A07 	Temporaire puis définitif
Alarme différentielle sonde refoulement/retour		Blocage définitif
Flamme parasite	A11 	Arrêt temporaire
Alarme thermostat installations basse température	A77 	Arrêt temporaire
Transitoire en attente d'allumage	80°C clignotant	Arrêt temporaire
Intervention pressostat eau	 clignotant	Arrêt temporaire
Tarage service		
Tarage installateur	ADJ 	Signalisation
Présence sonde externe		Signalisation
Demande de chaleur sanitaire	60°C 	Signalisation
Demande de chaleur chauffage	80°C 	Signalisation
Demande de chaleur antigel		Signalisation
Flamme présente		Signalisation

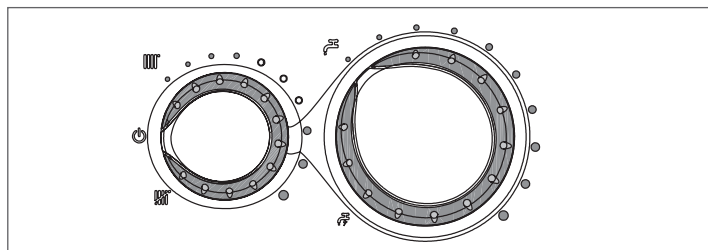
## I - Restauration des anomalies

Pour rétablir le fonctionnement (déblocage des alarmes).


### Anomalies A01-02-03

Positionnez le sélecteur de fonction sur éteint  (OFF), attendez 5-6 secondes et ramenez-le dans la position souhaitée.


Si les essais de déblocage ne réactivent pas la chaudière, demandez l'intervention du Service d'Assistance Technique.

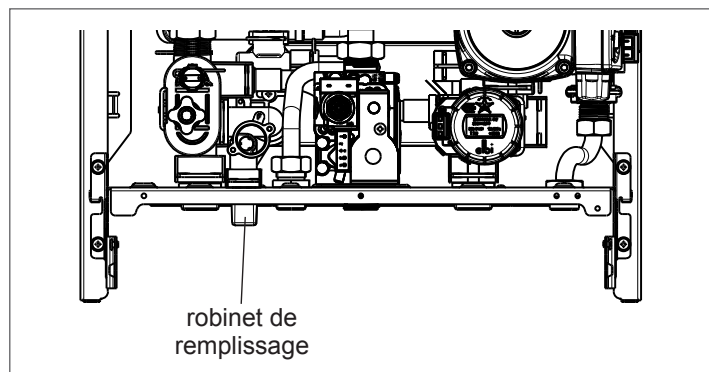


### Anomalie A04

L'afficheur numérique affiche le code de l'anomalie ainsi que le symbole .

Vérifiez la valeur de pression indiquée par l'hydromètre:

si elle est inférieure à 0,3 bar, positionnez le sélecteur de fonction sur éteint  (OFF) et agissez sur le robinet de remplissage jusqu'à ce que la pression atteigne une valeur comprise entre 1 et 1,5 bars.



Positionnez successivement le sélecteur de fonction dans la position souhaitée. Si les baisses de pression sont fréquentes, demandez l'intervention du Service d'Assistance Technique.

**Anomalie A06**

La chaudière fonctionne normalement, mais ne garantit pas la stabilité de la température de l'eau sanitaire qui reste programmée à une température d'environ à 50°C.

L'intervention du Service d'Assistance Technique est nécessaire.

**Anomalie A07**

L'intervention du Service d'Assistance Technique est nécessaire

**J - Entretien programmé périodique**

OPÉRATIONS	1 <sup>ère</sup> ANNÉE	2 <sup>ème</sup> ANNÉE
Contrôle composants d'étanchéité	°	°
Nettoyage échangeur primaire côté fumées	°	°
Vérification des dispositifs de sécurité eau et gaz	°	°
Vérification du débit de gaz et éventuel réglage	°	°
Vérification du tirage et du contrôle des fumées	°	°
Nettoyage brûleur et vérification efficacité allumage	°	°
Contrôle fonctionnement hydraulique	°	°
Analyse de la combustion	-	°
Vérification et lubrification composants groupe hydraulique	-	°
Vérification étanchéité installation	-	°
Lavage échangeur	-	°
Contrôle efficacité composants électrique et électroniques	-	°

**N.B.:** les opérations de maintenance ci-dessus doivent être effectuées dans le respect des normes en vigueur.

**K - Nettoyage**

Le seul nettoyage que nous conseillons d'effectuer est celui des panneaux externes de la chaudière, à effectuer uniquement avec des chiffons humidifiés avec de l'eau et du savon.

Dans le cas de taches tenaces, humidifiez le chiffon avec un mélange à 50% d'eau et d'alcool dénaturé ou avec des produits spécifiques.



Na pas utiliser de carburants et/ou éponges imbibées de solutions abrasives ou détergents en poudre.



Toute opération de nettoyage est interdite avant d'avoir débranché la chaudière du courant électrique en positionnant l'interrupteur général de l'installation sur "éteint".

**DONNÉES TECHNIQUES**

DESCRIPTION		START 28 KI			START 24 KIS			START 28 KIS			START 35 KIS	
		G20	G30	G31	G20	G30	G31	G20	G30	G31	G20	G31
Combustible		G20 G30 G31			G20 G30 G31			G20 G30 G31			G20 G31	
Catégorie appareil • Pays de destination		I12H3+ • (TN-DZ-MA)			I12H3+ • (TN-DZ-MA)			I12H3+ • (TN-DZ-MA)			I12H3P • (TN-DZ-MA)	
Type d'appareil		B11BS			B22P-B52P; C12-C12x; C22; C32-C32x; C42-C42x; C52-C52x; C62- C62x; C82-C82x; C92-C92x			B22P-B52P; C12-C12x; C32-C32x; C42-C42x; C52-C52x; C62- C62x; C82-C82x; C92-C92x			B22P-B52P; C12-C12x; C32-C32x; C42-C42x; C52-C52x; C62- C62x; C82-C82x; C92-C92x	
<b>Chauffage</b>												
Débit thermique nominal	kW	31,90			25,80			30,50			37,60	
Pouvoir calorifique nominal	kW	28,71			23,94			28,37			34,93	
Débit thermique réduit	kW	14,00			8,90			12,70			12,90	
Pouvoir calorifique réduit	kW	11,93			7,61			11,00			10,82	
<b>Eau chaude sanitaire</b>												
Débit thermique nominal	kW	31,90			25,80			30,50			37,60	
Pouvoir calorifique nominal	kW	28,71			23,94			28,37			34,93	
Débit thermique réduit	kW	8,70			8,90			10,50			12,90	
Pouvoir calorifique réduit	kW	7,41			7,61			9,09			10,82	
Rendement utile Pn max - Pn min	%	90,0 - 85,2			92,8 - 85,5			93,0 - 86,6			92,9 - 83,9	
Rendement utile 30% (47° retour)	%	89,5			90,9			91,9			92,5	
Rendement de combustion	%	91,7			93,0			92,5			93,0	
Débit massique fumées puissance max.	g/s	18,855	17,868	18,484	14,308	13,985	14,120	17,788	17,474	18,075	21,091	21,147
Débit massique fumées puissance min. (chauf.)	g/s	16,978	15,833	16,423	16,247	16,429	16,683	18,226	18,399	18,836	21,749	22,093
Débit massique fumées puissance min. (sanit.)	g/s	10,550	9,839	10,206	-	-	-	15,069	15,212	15,573		
Débit d'air	Nm³/h	50,960	48,088	49,811	39,613	40,249	40,454	48,052	47,071	48,749	56,894	56,920
Débit des fumées	Nm³/h	54,160	50,432	52,285	42,204	41,008	41,455	51,112	49,312	51,114	60,666	59,837
Indice excès d'air (λ) puissance maximale		1,668	1,653	1,687	1,608	1,715	1,699	1,645	1,692	1,727	1,580	1,636
Indice excès d'air (λ) puissance minimale		3,484	3,403	3,481	5,335	5,741	5,734	4,134	4,378	4,418	4,866	5,112
Température fumées (puissance max/min)*	°C	132/97	132/100	138/102	142/109	143/108	143/108	160/125	160/124	159/124	148/113	145/115
CO <sub>2</sub> au maximum*/minimum*	%	6,7/3,1	8,2/3,9	7,8/3,7	7,3/2,2	8,2/2,5	8,1/2,4	6,8/2,6	8,0/3,0	7,65/2,9	7,1/2,2	8,1/2,5
CO S.A. au maximum*/minimum* inférieur à	p.p.m.	90/20	180/20	80/30	120/200	140/220	120/200	80/150	80/160	70/150	100/200	70/250


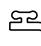


DESCRIPTION		START 28 KI			START 24 KIS			START 28 KIS			START 35 KIS	
NOx S.A. au maximum*/ minimum* inférieur à	p.p.m.	170/80	280/140	220/130	200/100	270/110	260/110	140/110	180/120	180/120	140/100	200/120
Classe NOx		2			3			3			3	
Pression maximum de fonctionnement chauffage	bar	3			3			3			3	
Pression minimum pour fonctionnement standard	bar	0,25-0,45			0,25-0,45			0,25-0,45			0,25-0,45	
Température maximale admise	°C	90			90			90			90	
Champ de sélection température eau chaudière (±3°C)	°C	40/80			40/80			40/80			40/80	
Alimentation électrique	Volt-Hz	230-50			230-50			230-50			230-50	
Hauteur manométrique pompe disponible dans l'installation	mbar	227			227			227			227	
au débit de	l/h	1.000			1.000			1.000			1.000	
Puissance électrique absorbée maximum	W	89			115			131			163	
Puissance électrique circulateur (1.000 l/h)	W	75			75			75			75	
Degré de protection électrique	IP	X5D			X5D			X5D			X5D	
Vase d'expansion	l	8			8			8			10	
Précharge vase d'expansion	bar	1			1			1			1	
Pression maximum de fonctionnement sanitaire	bar	6			6			6			6	
Pression minimum de fonctionnement sanitaire	bar	0,15			0,15			0,15			0,15	
Quantité d'eau chaude avec Δt 25°C	l/min	16,5			13,7			16,3			20,0	
Quantité d'eau chaude avec Δt 30°C	l/min	13,7			11,4			13,6			16,7	
Quantité d'eau chaude avec Δt 35°C	l/min	11,8			9,8			11,6			14,3	
Champ de sélection température eau sanitaire (±3°C)	°C	37-60			37-60			37-60			37-60	
Débit minimum eau sanitaire	l/min	2			2			2			2	
Limiteur de débit	l/min	12			10			12			15	

\* **modèle KI:** Diamètre tuyau 130mm - longueur 0,5m. - vérification effectuée en chauffage avec T eau 80°-60°C



**modèle KIS:** Contrôle effectué sur tuyau concentrique ø 60-100 - longueur 0,85m - température de l'eau 80°C-60°C - bride fumées, de diamètre approprié, montée.

Selon les types d'évacuation, les valeurs de CO peuvent différer de celles déclarées. En cas de dépassement de 500 ppm, veuillez contacter d'urgence le Service d'Assistance Technique.

## PLAQUE DE DONNÉES

<b>RIELLO</b>					EUROPEAN DIRECTIVE 2009/142/EC	
	IP					
N.						
230 V ~ 50 Hz	W	Qn =	kW	kW	D: l/min	
	Pmw = bar	T= 60 °C	Pn =	kW	kW	NOx:
	Pms = bar	T= 90 °C				

### [FR] Plaque de données

-  Exercice sanitaire
-  Fonctionnement du chauffage
- Qn** Capacité nominale
- Pn** Puissance nominale
- IP** Degré de protection
- Pmw** Pression maximale sanitaire
- Pms** Pression maximale de chauffage
- T** Température
- D** Capacité spécifique
- NOx** Classe NOx

## TABLEAU MULTIGAZ

DESCRIPTION		Gaz méthane (G20)	Butane (G30)	Propane (G31)
Indice de Wobbe inférieur (à 15°C-1013 mbar)	MJ/m³S	45,67	80,58	70,69
Puissance calorifique inférieure	MJ/m³S	34,02	116,09	88
Pression minimale d'alimentation	mbar (mm H <sub>2</sub> O)	13,5 (137,7)		
<b>START 28 KI</b>				
Pression nominale d'alimentation (I12H3+)	mbar (mm H <sub>2</sub> O)	20 (203,9)	28 - 30 (285,5 - 305,9)	37 (377,3)
Brûleur: nombre de buses	n°	14	14	14
diamètre des buses	ø mm	1,30	0,78	0,78
Débit gaz maximum chauffage	Sm³/h	3,37		
	kg/h		2,51	2,48
Débit gaz maximum sanitaire	Sm³/h	3,37		
	kg/h		2,51	2,48
Débit gaz minimum chauffage	Sm³/h	1,48		
	kg/h		1,10	1,09
Débit gaz minimum sanitaire	Sm³/h	0,92		
	kg/h		0,69	0,68
Pression maximum en chauffage	(mbar)	12,70	27,00	35,20
	(mm H <sub>2</sub> O)	129,50	275,32	358,94
Pression maximum en sanitaire	(mbar)	12,70	27,00	35,20
	(mm H <sub>2</sub> O)	129,50	275,32	358,94
Pression minimum en chauffage	(mbar)	2,60	5,50	7,10
	(mm H <sub>2</sub> O)	26,51	56,08	72,40
Pression minimum en sanitaire	(mbar)	1,00	2,30	2,90
	(mm H <sub>2</sub> O)	10,20	23,45	29,57
<b>START 24 KIS</b>				
Pression nominale d'alimentation (I12H3+)	mbar (mm H <sub>2</sub> O)	20 (203,9)	28 - 30 (285,5 - 305,9)	37 (377,3)
Brûleur: nombre de buses	n°	11	11	11
diamètre des buses	ø mm	1,35	0,78	0,78
Débit gaz maximum chauffage	Sm³/h	2,73		
	kg/h		2,03	2,00
Débit gaz maximum sanitaire	Sm³/h	2,73		
	kg/h		2,03	2,00
Débit gaz minimum chauffage	Sm³/h	0,94		
	kg/h		0,70	0,69
Débit gaz minimum sanitaire	Sm³/h	0,94		
	kg/h		0,70	0,69
Pression maximum en chauffage	(mbar)	11,80	27,80	35,80
	(mm H <sub>2</sub> O)	120,33	283,48	365,06
Pression maximum en sanitaire	(mbar)	11,80	27,80	35,80
	(mm H <sub>2</sub> O)	120,33	283,48	365,06
Pression minimum en chauffage	(mbar)	1,50	3,30	4,30
	(mm H <sub>2</sub> O)	15,30	33,65	43,85
Pression minimum en sanitaire	(mbar)	1,50	3,30	4,30
	(mm H <sub>2</sub> O)	15,30	33,65	43,85
<b>START 28 KIS</b>				
Pression nominale d'alimentation (I12H3+)	mbar (mm H <sub>2</sub> O)	20 (203,9)	28 - 30 (285,5 - 305,9)	37 (377,3)
Brûleur: nombre de buses	n°	13	13	13
diamètre des buses	ø mm	1,35	0,78	0,78
Débit gaz maximum chauffage	Sm³/h	3,23		
	kg/h		2,40	2,37
Débit gaz maximum sanitaire	Sm³/h	3,23		
	kg/h		2,40	2,37
Débit gaz minimum chauffage	Sm³/h	1,34		
	kg/h		1,00	0,99
Débit gaz minimum sanitaire	Sm³/h	1,11		
	kg/h		0,83	0,82

DESCRIPTION		Gaz méthane (G20)	Butane (G30)	Propane (G31)
Pression maximum en chauffage	(mbar)	11,30	28,00	36,00
	(mm H <sub>2</sub> O)	115,23	285,52	367,10
Pression maximum en sanitaire	(mbar)	11,30	28,00	36,00
	(mm H <sub>2</sub> O)	115,23	285,52	367,10
Pression minimum en chauffage	(mbar)	2,25	5,20	6,80
	(mm H <sub>2</sub> O)	22,94	53,03	69,34
Pression minimum en sanitaire	(mbar)	1,60	3,60	4,80
	(mm H <sub>2</sub> O)	16,32	36,71	48,95
<b>START 35 KIS</b>				
Pression nominale d'alimentation (I12H3P)	mbar (mm H <sub>2</sub> O)	20 (203,9)	-	37 (377,3)
Brûleur: nombre de buses	n°	16	-	16
diamètre des buses	ø mm	1,40	-	0,80
Débit gaz maximum chauffage	Sm <sup>3</sup> /h	3,98		
	kg/h		-	2,92
Débit gaz maximum sanitaire	Sm <sup>3</sup> /h	3,98		
	kg/h		-	2,92
Débit gaz minimum chauffage	Sm <sup>3</sup> /h	1,36		
	kg/h		-	1,00
Débit gaz minimum sanitaire	Sm <sup>3</sup> /h	1,36		
	kg/h		-	1,00
Pression maximum en chauffage	(mbar)	9,60	-	35,00
	(mm H <sub>2</sub> O)	97,89	-	356,90
Pression maximum en sanitaire	(mbar)	9,60	-	35,00
	(mm H <sub>2</sub> O)	97,89	-	356,90
Pression minimum en chauffage	(mbar)	1,10	-	4,40
	(mm H <sub>2</sub> O)	11,22	-	44,87
Pression minimum en sanitaire	(mbar)	1,10	-	4,40
	(mm H <sub>2</sub> O)	11,22	-	44,87

Description	Type de chaudière START								
	24 KIS	28 KIS	35 KIS	24 KIS	28 KIS	35 KIS	24 KIS	28 KIS	35 KIS
Données techniques pour les installations types:	<b>C4</b>			<b>C6</b>			<b>C8</b>		
Température des produits de la combustion en conditions nominales (à 80/60°C) [°C]	140	158	145	136	153	141	151	170	157
Débit massique [kg/h] @ Puissance nominale [kW]	2,76	3,26	4,02	2,72	3,22	3,96	2,78	3,29	4,05
Puissance nominale [kW]	26	30,7	37,9	25,7	30,4	37,5	26,2	31,0	38,2
Surchauffe des produits de la combustion [°C]	N.A.								
Température des produits de la combustion à la puissance minimale [°C]	94	108	97	88	101	91	91	104	94
Débit massique [kg/h] @ Puissance thermique minimale [kW]	0,93	1,10	1,35	0,94	1,11	1,36	0,95	1,12	1,38
Puissance nominale minimale [kW]	8,8	10,4	12,8	8,9	10,5	12,9	8,9	10,5	12,9
Contenu CO <sub>2</sub> dans des conditions nominales [%]	6,95	6,47	6,76	8,05	7,50	7,83	4,25	3,96	4,13
CO <sub>2</sub> à la puissance thermique minimale [%]	2,05	2,42	2,05	2,30	2,72	2,30	1,30	1,54	1,30
Perte de pression minimale admissible (dans l'alimentation en air et les conduit de fumée) [Pa]	70	20	30	-	-	-	-	-	-
Perte de pression maximale admissible (dans l'alimentation en air et les conduit de fumée) [Pa]	104	35	100	-	-	-	-	-	-
Différence de pression maximale admissible entre l'entrée d'air comburant et la sortie des fumées (y compris les pressions du vent) [Pa]	-	-	-	70	20	30	-	-	-
Température maximale admissible de l'air comburant [°C]	-	-	-	45	45	45	-	-	-
<b>C9</b>	<b>24 KIS</b>		<b>28 KIS</b>			<b>35 KIS</b>			
Diamètre utile minimal du conduit/de la gaine technique verticale pour l'alimentation en air comburant [mm]	240								

**Note**

- C1:** pour l'installation des bornes muraux et au toit, se référer aux instructions spécifiques contenues dans le kit  
les bornes sortent des circuits séparés de combustion et d'alimentation d'air dans un carré de 50 cm
- C3:** les bornes des circuits séparés de combustion et d'alimentation d'air doivent rentrer dans un carré de 50 cm et la distance entre les surfaces des deux orifices doit être de moins de 50 cm
- C4:** les chaudières sont, dans cette configuration avec les conduits de raccordement correspondants, appropriées pour le raccordement à une seule cheminée avec tirage naturel  
le flux de condensation dans l'appareil n'est pas admis
- C5:** les bornes pour l'alimentation d'air comburant et pour l'évacuation des produits de la combustion ne doivent pas être installées sur des murs opposés du bâtiment
- C6:** le flux de condensation dans l'appareil n'est pas admis  
le taux de recirculation maximal admissible avec du vent est de 10 %  
les bornes pour l'alimentation d'air comburant et pour l'évacuation des produits de la combustion ne doivent pas être installées sur des murs opposés du bâtiment  
l'appareil ne peut pas être raccordé à un conduit d'évacuation commun (c'est-à-dire plus d'un appareil sur un même conduit) fonctionnant en pression positive..

⚠ Ce type de configuration n'est pas admis dans certains pays - se référer aux normes locales en vigueur

- C8:** le flux de condensation dans l'appareil n'est pas admis

## КЕРІВНИЦТВО З УСТАНОВКИ

### 1 - ПОПЕРЕДЖЕННЯ І ПРАВИЛА ТЕХНІКИ БЕЗПЕКИ

Після зняття упаковки переконайтеся, що продукт цілий та укомплектований усіма деталями. Якщо він не відповідає зробленому замовленню, будь ласка, зверніться до компанії Riello, де було придбано обладнання.

Монтаж котла повинен виконуватися кваліфікованою компанією згідно з чинними правилами та з дотриманням чинного законодавства, а також вказівками, наданими компанією Riello у цьому керівництві.

Установник пояснює користувачу, як прилад працює, а також основні правила техніки безпеки.

Котел повинен використовуватися для цілей, передбачених виробником, для чого він був спеціально виготовлений. Компанія Riello не приймає жодної договірної або поза контрактної відповідальності за шкоду, заподіяну людям, тваринам або об'єктам через помилки при установці, налаштуванні або технічному обслуговуванні або неправильному використанні.

У разі виявлення витікання води, перекрийте подачу води та негайно зверніться до служби технічного обслуговування або кваліфікованого фахівця.

Користувач повинен дотримуватися попереджень, наведених у цьому посібнику.

Регулярно перевіряйте, щоб робочий тиск гідравлічної системи був від 1 до 1,5 бар. Якщо показники робочого тиску не знаходяться в межах цих значень, заповніть систему, як зазначено у відповідному розділі. У разі частого падіння тиску, будь ласка, зверніться за допомогою до служби технічного обслуговування або кваліфікованих технічних фахівців.

Якщо котел не буде використовуватися протягом тривалого періоду часу, необхідно:

- повернути головний перемикач пристрою та загальний системний перемикач у положення «OFF»
- відключити систему опалення, газів і водні
- якщо є ризик замерзання, злити воду з системи опалення та системи гарячого водопостачання (ГВП).

Технічне обслуговування котла повинно проводитися не рідше одного разу на рік.

Дане керівництво та посібник користувача являються невід'ємною частиною котла. Тому вони повинні ретельно зберігатися і завжди знаходитися біля котла, навіть у випадку продажу іншому власнику або користувачу, або в разі переміщення котла в інше місце. У разі втрати або пошкодження керівництва, будь ласка, отримайте іншу копію в службі технічного обслуговування вашого регіону.

Котли спроектовані таким чином, щоб захистити як користувача, так і установника від будь-яких нещасних випадків. Після будь-якого втручання на виробі слідкуйте за тим, щоб відновити електричні з'єднання. Звертайте особливу увагу на смужкові зрізи дроту, які ніколи не повинні виступати з клемної панелі.

Утилізуйте пакувальні матеріали у відповідних контейнерах у уповноважених центрах збору відходів.

Відходи повинні утилізуватися без будь-якого ризику для здоров'я та безпеки і без застосування процедур або методів, які можуть нанести шкоду навколишньому середовищу.

Після закінчення терміну експлуатації виріб не слід утилізувати як тверді міські відходи, а повинен бути доставлений у спеціалізований центр утилізації відходів.

Вентиляційні отвори необхідні для правильного згоряння та для безпеки (тільки модель KI).

Пам'ятайте, що при використанні продуктів, що містять газ, електроенергію та воду, необхідно дотримуватися деяких основних вимог безпеки:

Діти та особи з обмеженими можливостями користуватися котлом.

Не використовуйте пристрої або електричні прилади, такі як вимикачі або побутові прилади, і т.д., якщо відчуваєте запах газу або провітрити газу.

У цьому випадку:

- відкрийте двері та вікна, щоб провітрити приміщення
- закрийте газову засувку
- негайно зателефонуйте в службу технічної допомоги або кваліфікованому фахівцю.

Заборонено торкатися котла, якщо ви стоїте босоніж і деякі ділянки вашого тіла вологі.

Заборонено проводити чистку котла до того, як буде відключено електроживлення. Для цього переведіть головний вимикач на панелі управління «OFF».

Заборонено вносити зміни в роботу пристроїв безпеки і контролю не отримавши дозвіл і рекомендації від виробника котла.

Заборонено тягнути, рвати, скручувати електричні кабелі, що виходять з котла, навіть якщо відключено електричне живлення.

Заборонено затикати або зменшувати розмір вентиляційних отворів (якщо такі є) у приміщенні, де встановлений котел.

Заборонено зберігати контейнери з горючими речовинами в приміщенні, де встановлено котел.

Утилізуйте упаковку відповідально та зберігайте весь пакувальний матеріал в недоступному для дітей місці, оскільки він є потенційним джерелом небезпеки.

Забороняється втручатися в герметичні елементи.

### 2 - ОПИС КОТЛА

Котел **START** - це настінний газовий котел, який служить для центрального опалення та гарячого водопостачання теплообмінником. Котел управляється електронним способом з автоматичним запалюванням, іонізованим регулюванням положення факелу, що регулюється в режимі опалення та ГВП.

**START KI:** обладнаний відкритою камерою згоряння і класифікується у категорії B11BS.

**START KIS:** має герметичну камеру згоряння і, на основі використовуюваного додаткового обладнання для випуску газу, класифікується в категоріях B22P, B52P, C12, C12x, C22 (якщо потрібно); C32, C32x; C42, C42x; C52, C52x; C82, C82x; C92, C92x.

Для забезпечення правильного потоку води в теплообміннику котел обладнаний автоматичним перепускним пристроєм.

Він також комплектується пристроями захисту, розширення та розподілу.

Котел **START** обладнаний:

- мікропроцесорним керуванням та системою самодіагностики
- антиблокувальною функцією насоса і 3-ходовим клапаном
- антифризом першого рівня (підходить для установки у приміщенні)
- забезпеченням для кімнатного термостата або таймера або вимикаючого клапана
- цифровим дисплеєм, на який виводиться робоча температура і коди несправностей.

#### 2.1 Запобіжні пристрої

Котел **START** оснащений наступними пристроями безпеки:

- **Запобіжний клапан і перемикач тиску води**, які спрацьовують в разі недостатнього або надмірного тиску води (мін. 0,7 бар - макс. 3 бар).
- **Обмежувальний термостат температури води**, що спрацьовує для переведення котла в режим безпечної зупинки, якщо температура перевищує значення, передбачені поточними стандартами.
- **START KI: Витяжний термостат**, який спрацьовує для переведення котла в режим безпечної зупинки, якщо продукт згоряння повертається в ковпак. Він розташований на правій плитці тягового вивідного пристрою.
- **START KIS: Реле перепадів тиску повітря**, спрацьовує для переведення котла у стан безпечної зупинки в разі виникнення несправностей у контурі витяжки вихлопних газів.

**!** Якщо спрацьовує запобіжний пристрій, значить виникла несправність котла. Будь ласка, негайно зверніться до служби технічної допомоги.

**Витяжний термостат і реле перепадів тиску повітря** спрацьовують не тільки через несправність у контурі відкачування продукту згоряння, але і через випадкові атмосферні умови.

Таким чином, після короткого очікування котел можна перезапустити (див. Розділ «Перший запуск»).

**!** **START KI:** Якщо витяжний термостат спрацьовує знову, це означає, що продукти згоряння виводяться в зону установки котла. Це означає, що згоряння може бути неповним і існує ризик утворення монооксиду вуглецю. Це є серйозною небезпекою. У цьому випадку негайно зверніться до служби технічної допомоги.

**⊖** Котел не повинен експлуатуватися, навіть тимчасово, якщо запобіжні пристрої не функціонують або їх цілісність порушена.

**!** Запобіжні пристрої повинні бути замінені службою технічної допомоги, з використанням тільки оригінальних компонентів виробника. Будь ласка, дивіться перелік запасних частин, що входить до складу котла.

Після ремонту завжди виконуйте випробування на спалахування.

### 3 - УСТАНОВКА

**!** **START KI:** У існуючих будівлях цей котел з природною тягою повинен бути під'єднаний лише до системи димоходу, що розділяється кількома будинками, щоб вивести залишок горіння за межі приміщення, де встановлено котел. Для спалювання котел приймає повітря безпосередньо з кімнати і обладнаний перемикачем тяги. Внаслідок зниження ефективності, слід завжди уникати будь-якого іншого використання цього котла оскільки це призведе до збільшення споживання енергії та підвищення експлуатаційних витрат.

#### 3.1 Доставка продукції

Котел **START** поставляється в окремій картонній упаковкою.

Котел постачається з наступним матеріалом:

- буклет інструкцій для установника та користувача
- етикетки зі штрих-кодом
- фланець Ø 42 (START 24 KIS)
- фланці Ø 43-47 (START 28 KIS)

**!** Інструкції з експлуатації є невід'ємною частиною котла. Будь ласка, прочитайте інструкції та зберігайте їх у безпечному місці.

#### 3.2 Розміри та вага (Рис. 1)

	START 28 KI	START 24 KIS	START 28 KIS	START 35 KIS	
L	450	405	400	505	мм
P	332	248	332	332	мм
H	740	715	740	780	мм
Маса нетто	31	29	32	41	кг

#### 3.3 Управління

Після зняття упаковки котел управляється вручну з використанням підставки (Рис. 2).

#### 3.4 Приміщення для монтажу

##### START KI

Котел повинен встановлюватися у приміщеннях необхідних розмірів з вентиляційними отворами, відповідно до Технічних Стандартів.

##### START KIS

У конфігурації С котел може бути встановлений в будь-якому типі приміщення і не існує обмежень через умови вентиляції або розмір приміщення, оскільки котел має «герметичний» контур горіння по відношенню до середовища установки.

У конфігурація B22P і B52P прилад не може бути встановлений у спальнях, ванних кімнатах, душових кабінах або там, де є відкриті каміни без належного повітряного потоку. Приміщення, де встановлено котел, повинне мати належну вентиляцію.

**!** Врахуйте зазори, необхідні для доступу до пристроїв безпеки та регулювання та для виконання операцій технічного обслуговування.

**!** Переконайтеся, що рівень електричного захисту приладу підходить для характеристик приміщення.

**!** У випадку, якщо котли постачаються газовим паливом з питомою вагою, більшою, ніж повітря, електричні деталі повинні бути розміщені на рівні над землею більше 500 мм.

#### 3.5 Монтаж у старих системах або контурах, що потребують реконструкції

Коли котли **START** встановлюються в старих системах або системах, які потребують реконструкції, переконайтеся, що:

- димоходи підходять для температур, що утворюються при спалюванні, розраховані та побудовані відповідно до правил, і є максимально прямими, герметичними, ізольованими та не заблокованими або обмеженими
- електрична система відповідає спеціальним нормам і встановлюється кваліфікованими фахівцями
- лінія передачі газу та будь-які резервуари (СПГ) відповідають спеціальним правилам
- розширювальний бак забезпечує повне поглинання розширення рідини в системі
- витрата газу і ефективний напір насоса підходять для системи
- система промивається, вільна від усіх забруднень, вбудована, деаерується і герметизована належним чином
- пристрій котла зливу конденсату (сифон) підключений і направлений на збір «оборотної» води (моделі KIS)
- система очищення, коли подача/поповнення води відноситься до певного типу (див. таблицю для можливих вихідних значень).

Показники води, що подається	
Величина pH	6-8
Електрична провідність	менше ніж 200 µS/cm (25°C)
Хлорид-іон	менше ніж 50 ч/млн.
Іони сірчаної кислоти	менше ніж 50 ч/млн.
Загальний вміст заліза	менше ніж 0.3 ч/млн.
Лужність	менше ніж 50 ч/млн.
Загальна жорсткість	менше ніж 35°F
Іони сірки	відсутні
Іони амонію	відсутні
Іони кремнію	відсутні 20 ч/млн.

**!** Виробник відмовляється від будь-якої відповідальності за можливі пошкодження, спричинені неправильною установкою системи виходу димоходу.

**!** Якщо вода, що подається має загальну жорсткість від 25 °F до 50 °F, встановіть комплект для господарсько-питної води (дозатор поліфосфату). Якщо загальна жорсткість перевищує 50 °F, ефективність комплект поступово знижуватиметься і потрібно буде встановити більш ефективний пристрій або систему пом'якшення води. У випадку, якщо загальна жорсткість нижче 25 °F, повинен бути встановлений фільтр належного розміру, якщо вода, що подається, не повністю чиста і не може бути очищена.

#### 3.6 Установка котла

Для правильної установки пам'ятайте, що:

- котел не повинен розміщуватися над плитою або іншим приладом для приготування їжі;
- забороняється залишати легкозаймисті вироби в приміщенні, де встановлений котел;
- термочутливі стіни (наприклад, дерев'яні стіни) повинні бути захищені відповідною ізоляцією;
- повинні витримуватися мінімальні зазори для заходів технічного обслуговування.

##### START KI

Установка повинен проводитися кваліфікованим персоналом відповідно до чинного законодавства. Зокрема, UNI 7129-7131 і CEI 64-8 і 64-9.

##### START KIS (Рисунок. 3а)

Котел може бути встановлений у приміщенні та поза приміщенням.

**Установка в приміщенні:** котли можуть бути встановлені у багатьох приміщеннях, якщо випуск продукту згоряння та всмоктування повітря згоряння здійснюються поза приміщенням. У цьому випадку приміщення не вимагає вентиляційного отвору, що це котли з «герметичною» схемою згоряння по відношенню до середовища

установки.

Якщо замість цього повітря для горіння витягується з приміщення для установки, воно має бути обладнане вентиляційними отворами, що відповідають технічним стандартам і мають необхідні розміри.

Встановіть зазори, необхідні для доступу до пристроїв безпеки та регулювання та для виконання операцій технічного обслуговування. Переконайтеся, що рівень електричного захисту приладу відповідає характеристикам приміщення для установки.

У випадку, якщо котли постачаються газовим паливом з питомою вагою, більшою, ніж повітря, то електричні деталі повинні бути розміщені на рівні над землею більше 500 мм.

**Установка поза приміщенням:** Котел може бути встановлений зовні, в частково захищеному місці (тобто місці, де котел не піддається прямому контакту або проникненню дощу, снігу або граду).

Котел стандартно оснащений автоматичною системою антиобмерзання, яка активується, коли температура води в первинному контурі падає нижче 6 °С. Щоб скористатися цим можливістю самостійно вклучитися; таким чином, будь-яка умова блокування (через відсутність газу або електричного живлення або спрацювання запобіжного пристрою), дезактивує захист.

### КРІПЛЕННЯ КОТЛА

Котел **START** був розроблений і виготовлений для встановлення в системах опалення та гарячого водопостачання.


Положення і розміри фітінгів гідравлічної системи вказані на рисунках.


- Розташуйте пластину-підложку за допомогою спиртового рівня. Переверіть її горизонтальний рівень і рівність поверхні опори котла. Якщо необхідно, додайте калібрувальні шайби для вирівнювання поверхні.
- Позначте точки кріплення, що відносяться до позначки «закрити отвір».
- Зніміть пластину та просвердліть отвори.
- Встановіть кріплення.
- Для перевірки рівня пластини використовуйте спиртовий рівень.
- Підвісьте котел на кріплення (рис. 4).


### 3.7 Гідравлічні з'єднання (рис. 5)


Ми рекомендуємо підключити котел до систем, що включають як запобіжний клапан для ГВП, так і запірні клапани для системи опалення; Для цієї мети доступні комплекти клапанів системи опалення та комплекти нагрівальних клапанів з фільтром.

<b>M</b>	підводка тепла
<b>AC</b>	випускний клапан гарячої води
<b>G</b>	газ
<b>R</b>	оборотне тепло
<b>AF</b>	впускний клапан холодної води

 Вибір та встановлення компонентів системи залишається на розсуд установника, який повинен діяти відповідно до правил технічної практики та чинного законодавства.

 Якщо загальна жорсткість подачі води становить від 25 °F до 50 °F, встановіть комплект для господарсько-питної води. Якщо загальна жорсткість перевищує 50 °F, ефективність комплект поступово знижуватиметься і потрібно буде встановити більш ефективний пристрій або систему пом'якшення води. У випадку, якщо загальна жорсткість нижче 25 °F, повинен бути встановлений фільтр належного розміру, якщо вода, що подається, не повністю чиста і не може бути очищена.

 Вивід запобіжного клапана котла повинен бути підключений до підходящої системи збору та відведення води. Виробник котла відмовляється від будь-якої відповідальності за затоплення, заподіяне запобіжним клапаном.

 Наявний футляр для перенесення, отже з'єднання можна здійснювати швидко, не витрачаючи часу на кожну систему.

### 3.8 Електричні з'єднання (рис. 6 - 7 - 8)


Котел **START** обладнаний дротами на заводі, а кабель живлення вже підключений. Кімнатний термостат (TA) повинен бути просто підключений до відповідних клем.


- Переведіть головний системний вимикач у положення «OFF».
- Вкрутіть гвинти кріплення корпусу (A).
- Перемістіть нижню частину корпусу вперед, а потім вгору, щоб від'єднати його від рами.
- Відкрутіть гвинти панелі (B).


- Поверніть панель керування вперед.


- Відкрийте кришку (C) для доступу до плати керування.

Котел працює зі змінним струмом при 230 В/50 Гц і відповідає стандарту EN 60335-1.

 Низьковольтний безпечний кімнатний термостат (контакт без напруги).


 При використанні живлення в режимі «фаза-фаза» використовуйте тестер для визначення того, який з двох проводів має більший потенціал порівняно з землею і підключіть його до клеми L. Підключіть залишок дроту до клеми N.


 Котел також може працювати в режимі джерела живлення «фаза-нуль» і «фаза-фаза». Для джерел живлення, що коливаються, тобто тих, які не мають заземлення, використовуйте ізоляційний трансформатор з вторинним контуром, підключеним до землі.


 Дріт заземлення повинен бути приблизно на 2 см довший, ніж інші дроти.

### ВИ ПОВИННІ:

- використовувати загальний вимикач для відключення лінії відповідно до італійських стандартів CEI-EN 60335-1 (контактний отвір не менше 3,5 мм, категорія III)
- використовуйте кабелі з поперечним перерізом  $\geq 1,5 \text{ мм}^2$  і відповідно L (фаза) - N (нейтральне) з'єднання
- переконайтеся, що величина струму на вимикачі відповідає номінальній потужності котла. Зверніться до технічних даних, щоб перевірити електричну потужність встановленої моделі
- підключіть прилад до ефективної системи заземлення
- переконайтеся, що роз'єм живлення можна отримати після встановлення.

 Не використовуйте газові або водопровідні труби для заземлення цього приладу.

 Виробник не несе відповідальності за шкоду, заподіяну внаслідок невідповідності електричним схемам.


 Установник відповідає за забезпечення ефективної системи заземлення. Виробник не несе ніякої відповідальності за будь-які пошкодження, спричинені несправним контуром заземлення або відсутністю ефективного заземлюючого контуру.

### 3.9 Газові з'єднання

Котли **START** повинні підключатися до магістрального газопостачання відповідно до діючих стандартів.

Перед підключенням пристрою переконайтеся, що:

- тип газу сумісний з встановленою котельною моделлю
- всі трубопроводи ретельно очищаються.

 Система газопостачання повинна відповідати швидкості потоку котла і повинна бути обладнана всіма засобами безпеки та контролю, як це передбачено чинними стандартами. Також слід використовувати фільтр відповідного розміру.


 Після закінчення монтажу перевірте герметичність всіх з'єднань.


### 3.10 Випуск димових газів і всмоктування повітря згоряння

#### START KI (рис. 9)


Випускний трубопровід і з'єднання з димоходом повинні відповідати діючим місцевим та національним стандартам та законодавству.

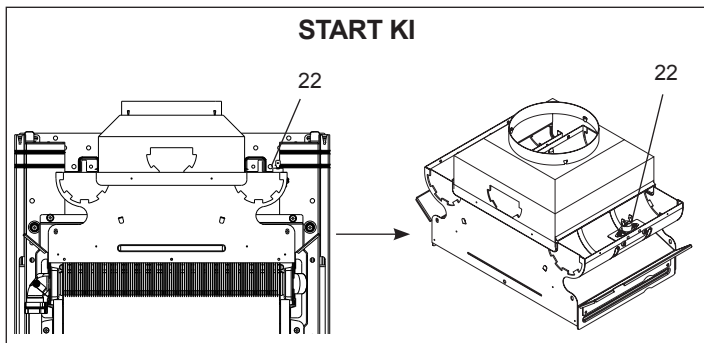
Використовуйте жорсткий повітропровід. Стиги між деталями повинні бути герметичними. Всі компоненти повинні бути стійкими до високих температур, конденсату і механічних навантажень.

 Ці котли обладнані витяжним термостатом, розташованим на правій стороні ковпака. Якщо продукти згоряння повертаються, цей пристрій негайно вимикає роботу котла.

 Вентиляційні отвори для згоряння повинні відповідати сучасним технічним стандартам.

 Вихідні канали без ізоляції є потенційним джерелом небезпеки.

 Не закривайте та не зменшуйте розміри вентиляційних отворів у приміщенні, де встановлено котел.



**START KIS (рис. 10a-b-c-d-e-f-g-h)**

Котли повинні мати відповідні канали для випуску вихлопних газів і повітрязасібника відповідно до типу установки. Канали є невід’ємною частиною котла, але поставляються в окремих комплектах для поліпшення гнучкості установки.

⚠ Максимальна довжина каналів відноситься до систем димоходу, наявних у каталозі.

⚠ Не встановлюйте димохідні труби поблизу легкозаймистих або пластикових матеріалів, характеристики яких можуть змінюватися під впливом високих температур.

⚠ У разі використання неоригінальних димохідних труб та труб для забору повітря необхідно гарантувати використання сертифікованих труб, що відповідають приладу, до якого вони підключаються, з температурним класом  $\geq 120^{\circ}\text{C}$  та стійкими до конденсації.

⚠ Для забезпечення більшої безпеки монтажу закріпіть труби до стіни (стіни або стелі) за допомогою спеціальних кріпильних кронштейнів, які розміщуються на кожному стику, на відстані, що не перевищує довжини кожного окремого подовження, та безпосередньо перед та після кожної зміни напрямку (вигину).

⚠ Стіни, чутливі до тепла (наприклад, дерев’яні), повинні бути захищені відповідною ізоляцією.

**УСТАНОВКА З «ПРИМУСОВИМ ВІДКРИТТЯМ» (TYPE B22P-B52P)**

**Патрубок випускного трубопроводу  $\varnothing$  80 мм (рис. 10c)**

Патрубок випускного трубопроводу може бути спрямований у найбільш прийнятному напрямку для потреб установки. Для установки дотримуйтесь інструкцій, що входять до комплекту. У цій конфігурації котел підключається до патрубку випускного трубопроводу  $\varnothing$  80 мм за допомогою адаптера  $\varnothing$  60-80 мм.

При необхідності, фланець димових газів (A) повинен бути видалений або замінений за допомогою викрутки як важіль.

⚠ У цьому випадку повітря для підтримки згоряння береться з приміщення, в якому встановлений котел, який повинен бути підходящим і вентиляваним технічним приміщенням.

⚠ Вихідні канали неізольованих газів є потенційними джерелами небезпеки.

⚠ Доцільно встановити колектор конденсату і спеціальні труби. У цьому випадку здійснюють нахил  $3^{\circ}$  до колектора конденсату.

**24 KIS**

Максимальна довжина патрубку випускного трубопроводу $\varnothing$ 80 мм	Фланець димового газу ( $\varnothing$ )	Навантажувальні втрати	
		45° вигин	90° вигин
до 8м	44 (*)	1,2м	1,7м
від 8м до 25м	не встановлений		

**28 KIS**

Максимальна довжина патрубку випускного трубопроводу $\varnothing$ 80 мм	Фланець димового газу ( $\varnothing$ )	Навантажувальні втрати	
		45° вигин	90° вигин
до 4м	43	1,2м	1,7м
від 4м до 9м	45 (*)		
від 9м до 15м	47		
від 15м до 21м	не встановлений		

**35 KIS**

Максимальна довжина патрубку випускного трубопроводу $\varnothing$ 80 мм	Фланець димового газу ( $\varnothing$ )	Навантажувальні втрати	
		45° вигин	90° вигин
до 5м	49 (*)	1,2м	1,7м
від 5м до 12м	не встановлений		

(\*) вбудований в котел

**«ГЕРМЕТИЗОВАНА» УСТАНОВКА (ТИП С)**

Котел повинен бути підключений до концентричних або двоконтурних випускних і повітровоодів, які повинні бути виведені назовні. Не використовуйте котел без них.

**Концентричні виходи ( $\varnothing$  60-100, рис. 10d)**

Концентричні виходи можуть бути розміщені в найбільш прийнятному напрямку відповідно до вимог приміщення.

При установці дотримуйтесь інструкцій, що входять до комплекту. За необхідності, фланець димових газів (A) повинен бути видалений або замінений за допомогою викрутки як важіль.

⚠ Доцільно встановити колектор конденсату і конкретні труби. У цьому випадку здійснюють нахил  $3^{\circ}$  до колектора конденсату.

**24 KIS**

Максимальна лінійна довжина концентричного каналу $\varnothing$ 60-100 мм	Фланець димового газу ( $\varnothing$ )	Навантажувальні втрати	
		45° вигин	90° вигин
до 2,35м	44 (*)	1,0м	1,5м
від 2,35м до 4,25м	не встановлений		

**28 KIS**

Максимальна лінійна довжина концентричного каналу $\varnothing$ 60-100 мм	Фланець димового газу ( $\varnothing$ )	Навантажувальні втрати	
		45° вигин	90° вигин
до 0,85м	43	1,0м	1,5м
від 0,85м до 1,70м	45 (*)		
від 1,70м до 2,70м	47		
від 2,70м до 3,40м	не встановлений		

**35 KIS**

Максимальна лінійна довжина концентричного каналу $\varnothing$ 60-100 мм	Фланець димового газу ( $\varnothing$ )	Навантажувальні втрати	
		45° вигин	90° вигин
до 0,85м	49 (*)	1,0м	1,5м
від 0,85м до 2,3м	не встановлений		

(\*) вбудований в котел

**Концентричні виходи ( $\varnothing$  80-125, рис. 10g)**

Котел призначений для підключення до концентричних випускних/всмоктувальних труб і з закритим отвором для всмоктування повітря. Концентричні виходи можуть бути розміщені в найбільш прийнятному напрямку відповідно до вимог приміщення, що відповідають максимальним довжинам, вказаним у таблиці.

При установці дотримуйтесь інструкцій, що входять до комплекту. Щоб пройти через стіну, просвердліть отвір  $\varnothing$  130 мм. Відповідно до довжини використовуваних труб необхідно вставити фланець на вибір з тих, що містяться в котлі.

Зверніть особливу увагу на зовнішню температуру і довжину труби. Зверніться до схеми (мал. 10h), щоб встановити, чи є обов’язковим або не обов’язковим використання колектора конденсації. У випадку експлуатації при температурі нижче  $60^{\circ}\text{C}$  обов’язково використовувати колектор конденсації. Якщо використовується колектор конденсації, забезпечте нахил газовідвідного трубопроводу на  $3^{\circ}$  до колектора. Підключіть сифон уловлювання конденсату до випускної труби з оборотною водою.

Неізольовані вихідні труби є потенційними джерелами небезпеки.

**24 KIS**

Максимальна лінійна довжина концентричного каналу $\varnothing$ 80-125 мм	Фланець димового газу ( $\varnothing$ )	Навантажувальні втрати	
		45° вигин	90° вигин
від 0,96м до 7,85м	44 (*)	1,35м	2,2м
від 7,85м до 12,4м	не встановлений		

**28 KIS**

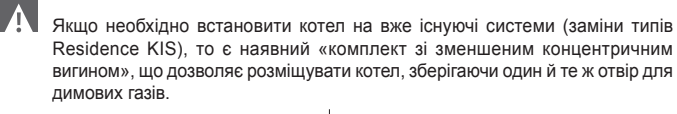
Максимальна лінійна довжина концентричного каналу $\varnothing$ 80-125 мм	Фланець димового газу ( $\varnothing$ )	Навантажувальні втрати	
		45° вигин	90° вигин
від 0,96м до 2,9м	43	1,35м	2,2м
від 2,9м до 5,20м	45 (*)		
від 5,20м до 7,10м	47		
від 7,10м до 10м	не встановлений		

**35 KIS**

Максимальна лінійна довжина концентричного каналу Ø 80-125 мм	Фланець димового газу (Ø)	Навантажувальні втрати	
		45° вигин	90° вигин
від 0,96м до 2м	49 (*)	1,35м	2,2м
від 2м до 5,85м	не встановлений		

(\*) вбудований в котел


**START 24 KIS - зменшений концентричний вигин**




Довжина труби зі зменшеним вигином (м)	Фланець димового газу (A)	Навантажувальні втрати для кожного вигину (м)	
		45°	90°
до 1,85	Ø 44 (**)	1	1,5
від 1,85 до 4,25	не встановлений		

**Подвійні виходи (Ø 80, мал. 10е)**

Подвійні виходи можуть бути розміщені в найбільш прийнятному напрямку відповідно до вимог приміщення. Зніміть заглушку, закріплену гвинтами, і скористайтеся спеціальним адаптером для впускного трубопроводу для згорання повітря (E).

 Адаптер повітрязабірника Ø 80 (E) повинен бути правильно спрямований, його необхідно закріпити за допомогою відповідних гвинтів, щоб заслінка не впливала на корпус.

При необхідності, фланці димових (A) необхідно видалити за допомогою викрутки як важіль. У таблиці вказані дозволені лінійні довжини. Відповідно до довжини використовуваних труб необхідно вставити фланець, вибираючи один з тих, що містяться в котлі (див. таблицю).

 Доцільно встановити колектор конденсату і спеціальні труби. У цьому випадку здійснюють нахил 3° до колектора конденсату.

**24 KIS**

Максимальна довжина подвійного виходу Ø 80 мм	Фланець димового газу (Ø)	Навантажувальні втрати	
		45° вигин	90° вигин
до 6 + 6м	44 (*)	1,2м	1,7м
від 6м + 6м до 16м + 16м	не встановлений		

**28 KIS**

Максимальна довжина подвійного виходу Ø 80 мм	Фланець димового газу (Ø)	Навантажувальні втрати	
		45° вигин	90° вигин
до 3м + 3м	43	1,2м	1,7м
від 3м + 3 до 7м + 7м	45 (*)		
від 7м + 7м до 11м + 11м	47		
від 11м + 11м до 14,5м + 14,5м	не встановлений		

**35 KIS**

Максимальна довжина подвійного виходу Ø 80 мм	Фланець димового газу (Ø)	Навантажувальні втрати	
		45° вигин	90° вигин
до 4м + 4м	49 (*)	1,2м	1,7м
від 4м + 4м до 8м + 8м	не встановлений		

(\*) вбудований в котел

**МОЖЛИВІ КОНФІГУРАЦІЇ ВИХОДІВ (рис. 10а)**

**B22P-B52P** Всмоктування в приміщенні та випуск на відкритому повітрі.  
**C12-C12x** Випуск через концентричний вихід. Труби можуть виходити з котла незалежно, але виходи повинні бути концентричними або достатньо близькими, щоб піддаватися подібним вітровим умовам (не більше 50 см).  
**C22 (якщо потрібно)** Випуск через концентричний вихід у загальній димовій трубі (всмоктування та випуск в одній трубі).  
**C32-C32x** Випуск через концентричний вихідний пристрій на даху будівлі. Виходи як для C12.  
**C42-C42x** Випуск і всмоктування в загальних окремих димових трубах, але піддаються подібним вітровим умовам.  
**C52-C52x** Окремі лінії випуску та всмоктування на стіні або на даху та в місцях з різним тиском. Випускні та всмоктувальні трубопроводи ніколи не повинні розташовуватися на протилежних стінах.  
**C82-C82x** Випуск через одну або загальну димову трубу та трубопровід всмоктування на стіні.  
**C92-C92x** Випуск на дах (подібно до C32) і всмоктування повітря з однієї існуючої димової труби.

**3.11 Заповнення та спорожнення системи (рис. 11)**

Після того як гідравлічні з'єднання виконані, систему можна заповнити.

**ЗАПОВНЕННЯ**

- Відкрийте кришку автоматичного вентиляційного клапана двома або трьома оборотами (A)
- Переконайтеся, що клапан пуску холодної води відкритий
- Відкрийте кран для наповнення (B) доти, доки тиск на гідрометрі не перевищить 1 - 1,5 бар
- Закрийте кран для наповнення.

**ПРИМІТКА:** повітря в котлі автоматично відпускається через автоматичний вентиляційний клапан насоса. Переконайтеся, що клапан повітряного клапана відкритий.

**ЗЛИВ ВОДИ**


- Перед зливом води відключіть електроживлення, перемикаючи головний вимикач системи в положення «OFF».
- Закрийте впускний клапан холодної води.

**а) Система опалення:**

- Закрийте всі запірні пристрої опалювального контуру
- Підключіть трубку, що поставляється стандартно, до випускного клапана (C)
- Відпустіть нагнітальний клапан (C)

**б) Система ГВП:**

- Відкрийте гарячі та холодні водопровідні клапани та спорожніть з найнижчих точок.

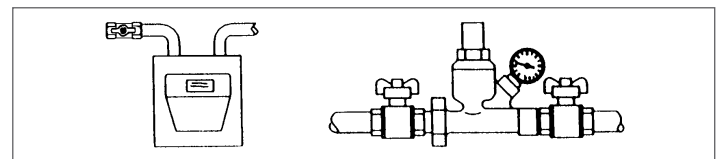
 Вихід запобіжного клапана (D) повинен бути підключений до відповідної системи утилізації. Виробник відмовляється від будь-якої відповідальності за будь-які затоплення, викликані запобіжним клапаном.

**4 - ВВЕДЕННЯ В ЕКСПЛУАТАЦІЮ ТА ТЕХНІЧНЕ ОБСЛУГОВУВАННЯ**

**4.1 Початкове введення в експлуатацію**

Перед запалюванням і функціональним випробуванням котла необхідно перевірити:

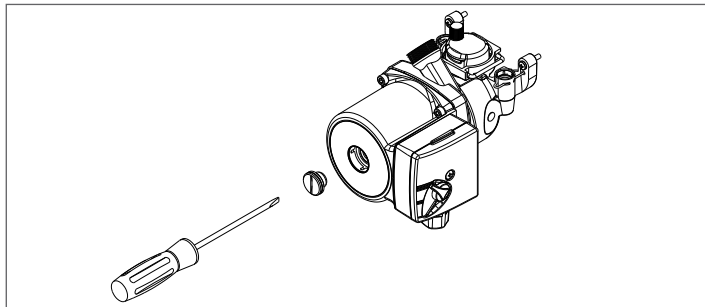
- система газових і водяних клапанів відкрита



- тип газу і тиск подачі відповідають специфікації котла
- кришка вентиляційного клапана відкрита
- тиск гідравлічного контуру, при холоді, знаходиться в діапазоні від 1 до 1,5 бар, а контур деаерується
- попереднє завантаження розширювального бака є адекватним (див. таблицю даних)
- електричні з'єднання виконані правильно

- канали для випуску димових газів та вентиляційні отвори для згоряння повітря встановлені правильно
- насос може вільно обертатися: відкрутіть інспекційний гвинт і скористайтеся викруткою, щоб перевірити, чи вільно рухається вал ротора.

Перед тим, як відкрутити або зняти кришку насоса, захистіть електричні пристрої від будь-яких витоків.



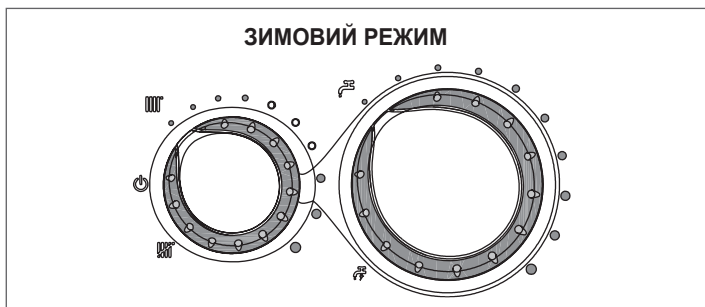
#### 4.2 Перший запуск

Щоб увімкнути котел:

- Підключіть котел до електромережі
- Відкрийте газовий клапан, щоб увімкнути подачу газу
- Відрегулюйте кімнатний термостат до бажаної температури (~20 °C)

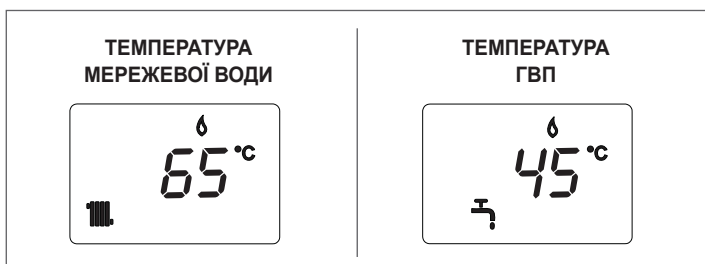
Поверніть перемикач функцій у потрібне значення:

**ЗИМА:** поверніть перемикач функцій у діапазон регулювання. Котел виробляє гарячу воду та воду для опалення. Котел автоматично запалюється у відповідь на запит на тепло. Цифровий дисплей відображає температуру нагрівальної води. Котел автоматично запалюється у відповідь на запит на подачу ГВП. На дисплеї відображається температура гарячої води.

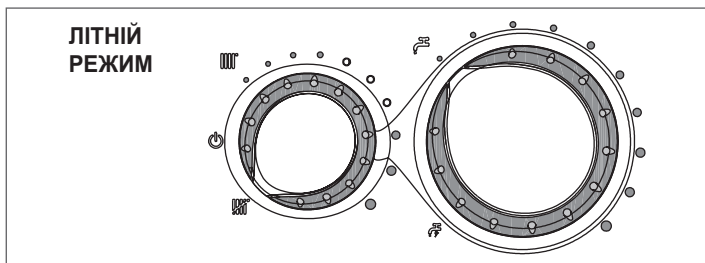


#### РЕГУЛЮВАННЯ ТЕМПЕРАТУРИ МЕРЕЖЕВОЇ ВОДИ

Щоб відрегулювати температуру нагрівальної води, поверніть перемикач режимів у діапазон регулювання (поверніть за годинниковою стрілкою, щоб збільшити значення і проти годинникової стрілки, щоб зменшити значення).

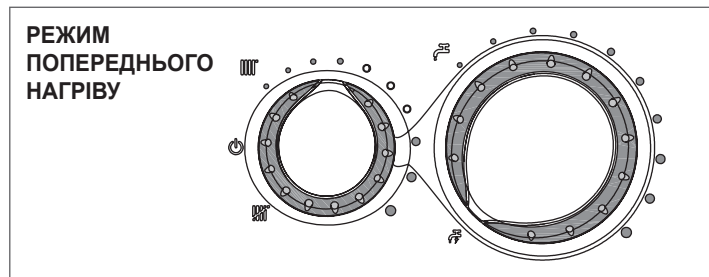


**ЛІТНІЙ:** стандартний режим для ГВП активується, повертаючи перемикач на літній символ, котел автоматично запалюється у відповідь на запит на подачу гарячої води. Цифровий дисплей показує температуру гарячої води.



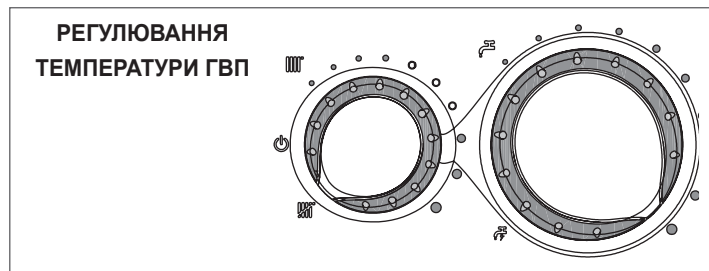
#### ПОПЕРЕДНЄ НАГРІВАННЯ (гаряча вода)

Повернення ручки регулювання гарячої води до символу активує функцію попереднього нагрівання. Поверніть ручку регулювання температури гарячої води у потрібне положення. Ця функція дозволяє утримувати воду в теплообміннику гарячої води для зменшення часу роботи в режимі очікування при виконанні запиту. Коли активована функція попереднього нагрівання, на дисплеї відображається символ **P**. На дисплеї відображається температура нагріву води або гарячої води на основі запиту, що виконується. Під час запалювання пальника, після запиту попереднього нагрівання, монітор показує символ мигання **P**. Щоб вимкнути функцію попереднього нагрівання, поверніть ручку регулювання температури гарячої води до символу . Символ **P** вимикається. Поверніть ручку регулювання температури гарячої води у потрібне положення. Функція не активна, коли котел вимкнено: перемикач функцій вимкнено OFF.



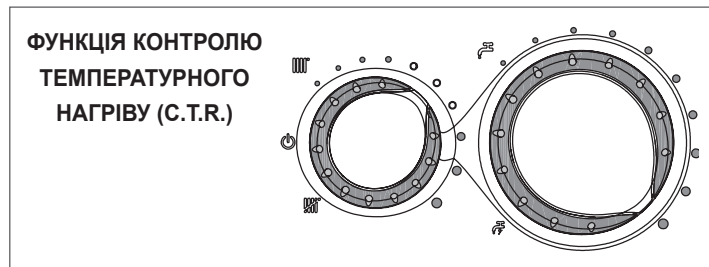
#### Регулювання температури ГВП

Для регулювання температури ГВП (для ванн, душових кабін, кухні тощо) поверніть циферблат із символом за годинниковою стрілкою, щоб збільшити значення, або проти годинникової стрілки, щоб зменшити значення (мін. значення 37 °C - макс. 60 °C). Котел знаходиться в режимі очікування, поки Пальник не вмикається після запиту на нагрів. Котел продовжує працювати до тих пір, поки не буде досягнута температура, встановлена на котлі, або закінчиться запит на тепло. Потім він повернеться в режим очікування. У разі тимчасової зупинки цифровий дисплей показує код несправності.



#### Функція контролю температури нагріву (C.T.R.)

Поверніть перемикач температури нагрівальної води в сектор, виділений білими маркерами, щоб активувати саморегулюючу систему Н.Т.С.: на основі встановленої температури в термостаті зовнішнього повітря і часу, що використовується для її досягнення, котел автоматично змінює температуру нагрівальної води, зменшуючи час роботи, що забезпечує високий рівень комфорту та енергозбереження.



#### Функція розблокування

Щоб відновити роботу, поверніть перемикач функцій у положення OFF, почекайте 5-6 секунд, а потім встановіть перемикач функцій у потрібне положення. Котел автоматично перезапускається.

**ПРИМІТКА:** якщо спроби розблокування не перезапустили котел, зверніться до Центру технічної підтримки.

### 4.3 Перевірки під час і після введення в експлуатацію

Після введення в експлуатацію переконайтеся, що котел **START** правильно виконує процедуру запуску та подальшого вимкнення, використовуючи:

- селектор функцій
- калібрування селектора температури мережевої води та перемикача температури ГВП
- необхідна кімнатна температура (регулювання кімнатного термостата або таймера).

Перевірте роботу в режимі гарячої води, відкривши кран гарячої води з перемикачем функцій у літній режим і в зимовий режим.

Переконайтеся, що котел повністю зупиняється при повороті головного системного вимикача в положення «OFF».

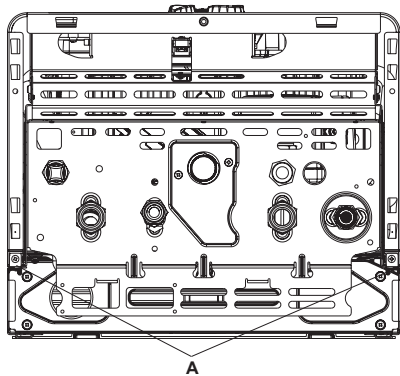
Експлуатуйте прилад безперервно протягом декількох хвилин, повернувши головний вимикач у положення «ON», встановивши перемикач функцій на літній режим, і утримуйте кран подачі ГВП. Оброблювані сполучні речовини і залишки випаровуються і можна перевірити наступне:

- тиск подачі газу
- спалювання.

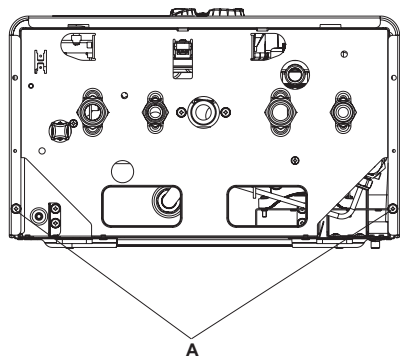
#### Перевірка тиску газу

- Переведіть головний системний вимикач у положення «OFF».
- Викрутіть гвинти корпусу (A).

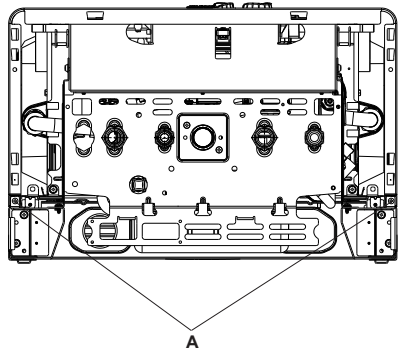
#### START 28 KI-28 KIS



#### START 24 KIS

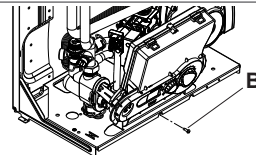


#### START 35 KIS

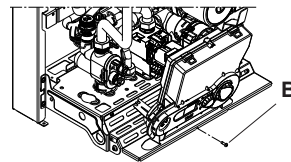


- Перемістіть нижню частину корпусу вперед, а потім вгору, щоб від'єднати його від рамки.
- Відкрутіть гвинти панелі (B).
- Поверніть панель керування вперед.

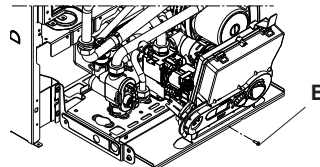
#### START 24 KIS



#### START 28 KI 28 KIS



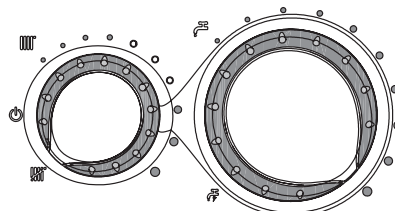
#### START 35 KIS



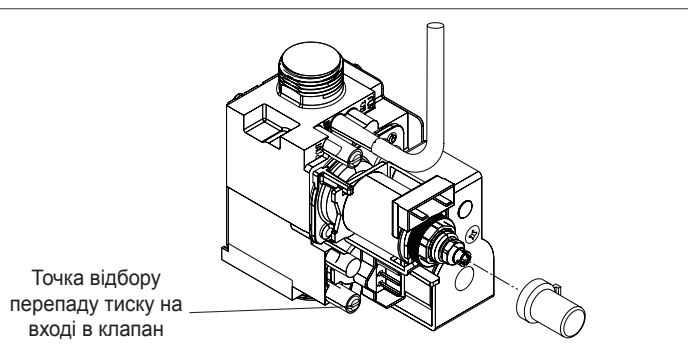
- Відгвинтіть гвинт виступу до газового клапана приблизно на два обороти і підключіть манометр.

На панелі керування:

- Встановіть перемикач функцій на літній режим, а перемикач температури гарячої води максимально



- увімкніть котел, встановивши головний вимикач у положення «ON»
- відкрийте кран гарячої води до максимального витрати
- якщо Пальник світиться на максимальному виході, перевірте, що тиск газу знаходиться між мінімальними та номінальними значеннями подачі, як зазначено у таблиці мультигазових
- вимкніть кран гарячої води
- від'єднайте манометр і затягніть точку відведення тиску перед газовим клапаном.



#### Перевірка згоряння

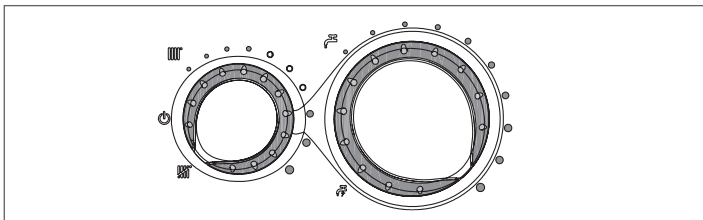
##### START KI

- Встановіть комплект «Газоаналізатор» у ділянці труби після виходу ковпака, щонайменше, на відстані 400-500 мм від ковпака (як це передбачено чинними нормами). Для встановлення дотримуйтесь інструкцій, що входять до комплекту.
- Переведіть головний системний вимикач у положення «OFF».
- Встановіть перемикач функцій у положення «Літній режим», а селектор температури ГВП на максимум.
- Увімкніть котел, встановивши головний вимикач у положення «ON».
- Відкрийте кран гарячої води до максимального витрати.
- З котлом на максимальній потужності можна перевірити горіння.

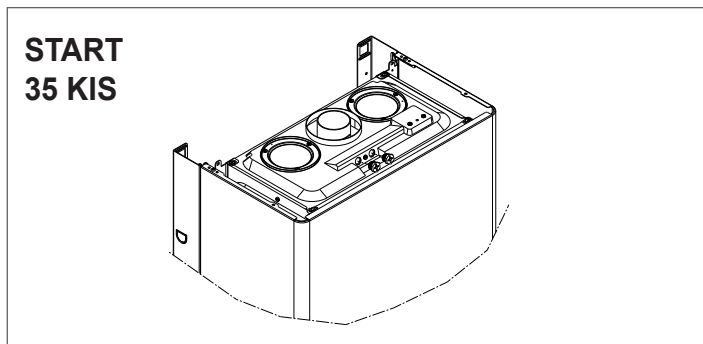
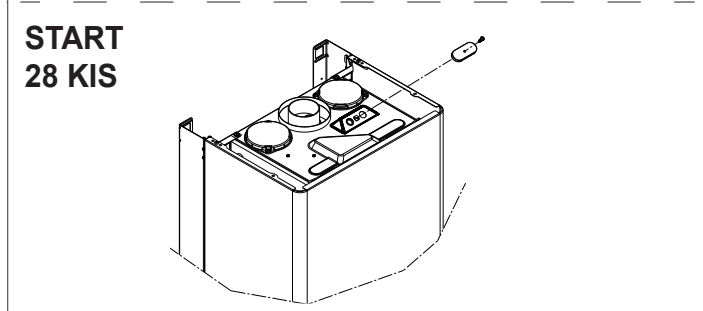
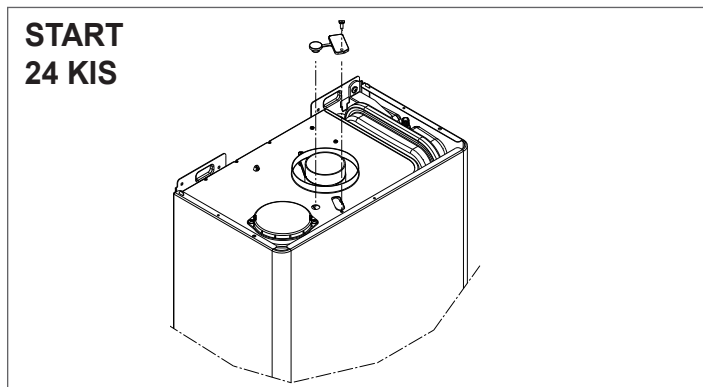
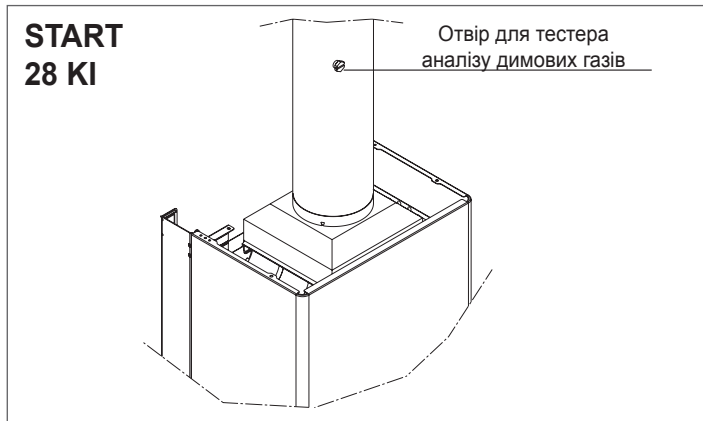
##### START KIS

- Відкрийте кран гарячої води до максимального витрати
- Встановіть перемикач функцій у положення «Літній режим», а селектор температури ГВП на максимум
- Увімкніть котел, встановивши головний вимикач у положення «ON»

- З котлом на максимальній потужності можна перевірити горіння



- Після завершення перевірки відключіть кран гарячої води.
- Зніміть датчик і закрийте контрольний пункт.
- Закрийте панель і встановіть корпус відповідно до процедури, описаної вище в зворотному порядку.



Наприкінці перевірок:

- встановіть перемикач функцій в літній або зимовий режим відповідно до поточного сезону
- налаштуйте селектори відповідно до вимог клієнта.

⚠ Котел **START** постачається для роботи з природним газом і може

бути перероблений для використання з СПГ. Він встановлений на заводі, як зазначено на табличці з технічними даними, і не вимагає калібрування.

⚠ Всі перевірки та інспекції повинні здійснюватися виключно Службою технічної допомоги.

**4.4 Дисплей і коди несправностей**

СТАТУС КОТЛА	ДИСПЛЕЙ	ТИП АВАРІЙНОГО СИГНАЛУ
Вимкнений	OFF	Жодний
В режимі очікування	-	Попередження
Сигнал модульного блоку ACF	A01 ⚡	Постійне блокування
Сигнал електричного пошкодження ACF	A01 ⚡	
Сигнал обмежувального термостату	A02 ⚡	Постійне блокування
Сигнал витяжного термостата (KI) сигнал перемикача тиску диференційного повітря (KIS)	A03 ⚡	Постійне блокування
Сигнал перемикача тиску води	A04 ⚡	Постійне блокування
Несправність НТК ГВП	A06 ⚡	Попередження
Несправність НТК (нагрів)	A06 ⚡	
Перегрів датчика подачі нагріву	A07 ⚡	Тимчасова зупинка
Сигнал датчика подачі/повернення		Спочатку тимчасова, а потім постійна
Паразитне полум'я	A11 ⚡	Постійне блокування
Сигнал термостата систем низької температури	A77 ⚡	Тимчасова зупинка
Перехідне очікування запалення	80°C (миготіння)	Тимчасова зупинка
Аварійна зупинка перемикач води	⚡ (миготіння)	Тимчасова зупинка
Сервісне калібрування	ADJ ⚡	Попередження
Калібрування установки		
Виявлено зовнішній датчик	📶	Попередження
Запит на ГВП	60°C 🚰	Попередження
Запит на опалення	80°C 🏠	Попередження
Запит на захист від замерзання	❄️	Попередження
Виявлено полум'я	🔥	Попередження

**Щоб відновити роботу (розблокувати аварійні сигнали):**

**Помилки A01-02-03**

Встановіть перемикач функцій у положення OFF ⏻. Зачекайте 5-6 секунд і поверніться до потрібного значення. Якщо спроби розблокування не активують котел, зверніться за допомогою до служби технічної допомоги.

**Несправність A04**

Цифровий дисплей показує код несправності разом з символом ⚡. Перевірте тиск, показаний на водяному манометрі: Якщо тиск менше 0,3 бар, встановіть перемикач функцій у положення ⏻ (OFF) і налаштуйте клапан заповнення, поки тиск не перевищить 1 і 1,5 бар.

Поверніть перемикач функцій назад у потрібне значення.

Якщо часто спостерігається падіння тиску, зверніться за допомогою до служби технічної допомоги.

**Несправність A06**

Котел працює нормально, але не гарантує стабільну внутрішню температуру гарячої води, яка встановлена на рівні близько 50 °C. Будь ласка, зверніться за допомогою до служби технічної допомоги.

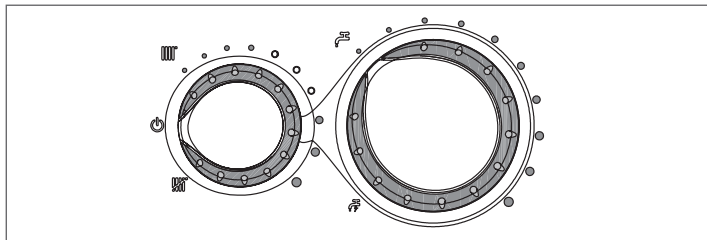
**Несправність A07**

Будь ласка, зверніться за допомогою до служби технічної допомоги.

**4.5 Відключення котла на нетривалий час**

Під час тимчасової відсутності, у вихідні дні, під час коротких відпусток

і т.д., встановіть перемикач функцій у положення **⏻** (OFF).



При включеному живленні та подачі газу, котел захищений системами:

**- Антизамерзання**

Ця функція активується, якщо температура котлової води опускається нижче 5 °C. Насос працює 15-хвилинний цикл кожні 2 години наступним чином: насос зупиняється, коли температура води котла перевищує 10 °C; Пальник мінімально підпалюється в режимі нагрівання, коли температура котлової води опускається нижче 5 °C, поки температура води не досягне 30 °C, після чого фаза після насоса триває 30 секунд.

**- Функція антиблокування насоса**

Насос активується кожні 24 години у режимі очікування та, у будь-якому випадку, через 3 години після останнього запиту на ГВП.

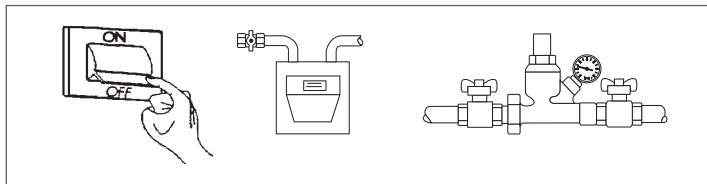
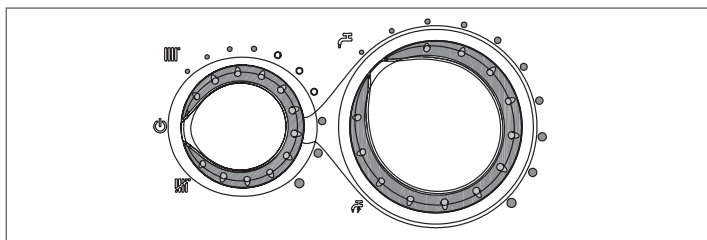
**4.6 Відключення котла на тривалий час**

Якщо котел **START** не буде використовуватися протягом тривалого періоду часу:

- встановити перемикач функцій на **⏻** (OFF-unblock)
- повернути головний системний перемикач у положення «OFF»
- закрити системи опалення та ГВП та газових кранів.

**⚠** Функції антизамерзання та блокування насоса відключені.

**⚠** Якщо є небезпека замерзання, виправте контур опалення та ГВП.



**4.7 Технічне обслуговування**

Періодичне технічне обслуговування є «обов'язковим», що вимагається законом і має важливе значення для безпеки, ефективності та терміну служби котла.

Це дозволяє скоротити споживання, шкідливих викидів та зберігати виріб надійним з плином часу.

Перед початком операцій технічного обслуговування:

- Виконайте аналіз продуктів згоряння, щоб перевірити стан роботи котла, після чого відключіть електропостачання, вимкнувши загальний вимикач системи
- Закрийте крани палива та води системи опалення та гарячого водопостачання.

Прилад необхідно систематично контролювати через регулярні інтервали часу, щоб переконатися, що він працює правильно і ефективно і відповідає чинним законодавчим положенням.

Частота контролю залежить від умов встановлення та використання, тому щороку необхідно провести повну перевірку уповноваженим персоналом Центру обслуговування.

- Перевірте та порівняйте продуктивність котла з відповідними технічними характеристиками. Будь-яка причина видимого погіршення має бути негайно ідентифікована і усунена.
- Уважно перевіряйте котел на наявність ознак пошкоджень або пошкоджень, особливо у випадку системи дренажу та аспірації та електричних пристроїв.

- Перевірте та налаштуйте, де це необхідно, всі параметри Пальник.
- Перевірте та відрегулюйте, у разі необхідності, тиск системи.
- Проаналізуйте горіння. Порівняйте результати зі специфікацією продукту. Будь-які втрати продуктивності повинні бути ідентифіковані та виправлені шляхом виявлення та усунення причини.
- Переконайтеся, що основний теплообмінник чистий і вільний від будь-яких залишків або перешкод; при необхідності очистіть його.
- Перевірте та очистіть, де це необхідно, лоток для конденсації, щоб переконатися, що він працює належним чином.
- Якщо тиск у санітарній системі менше 3 бар, спорожніть санітарний контур котла та перевірте, чи підтримується тиск у контурі опалення.
- Перевірте цілісність ізоляції електричних кабелів, зокрема поблизу первинного теплообмінника

**⚠** Завжди вимикайте живлення пристрою та закривайте газовий кран на котлі, перш ніж виконувати будь-які роботи з технічного обслуговування та очищення котла.

**⚠** Після виконання необхідних операцій з технічного обслуговування необхідно відновити оригінальні налаштування і провести аналіз продуктів згоряння, щоб перевірити правильність роботи.

**⚠** Не чистіть прилад або будь-яку іншу частину за допомогою легкозаймистих речовин (наприклад, бензин, спирт і т.д.).

**⚠** Не чистіть панелі, емальовані та пластмасові деталі розчинниками фарби.

**⚠** Панелі необхідно чистити тільки звичайним милом і водою.

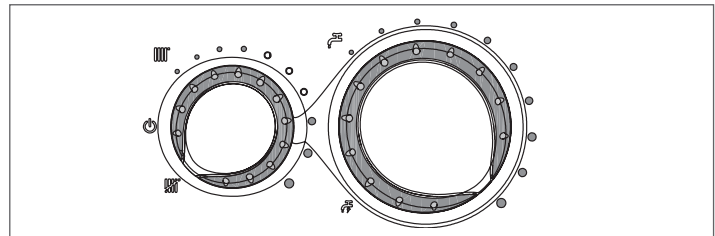
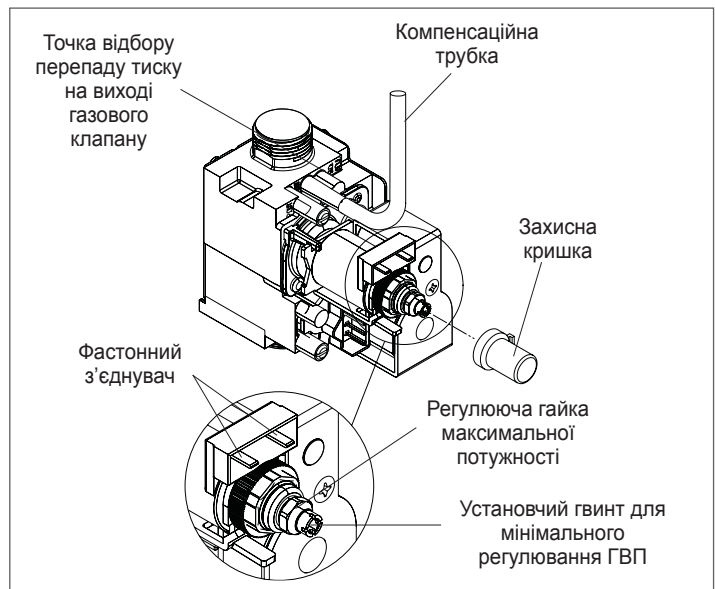
**4.8 Регулювання**

Котли **START** постачаються для роботи з природним газом і встановлюються на заводі, як зазначено на таблиці з технічними даними.

Проте, якщо необхідно повторити коригування, наприклад, після непланового технічного обслуговування, заміни газового клапана або після переходу з природного газу до СПГ, або навпаки, виконайте описані нижче дії.

Мінімальна і максимальна потужність і максимальні налаштування опалення повинні бути встановлені в заданій послідовності і виключно кваліфікованими фахівцями.

- Переведіть головний системний вимикач у положення «OFF».
- Зніміть корпус, відкрутивши кріпильний гвинт.
- Відкрутіть гвинт панелі та поверніть панель керування вперед.
- Відкрутіть гвинт точки випуску за газовим клапаном приблизно на два обороти і підключіть манометр.
- Від'єднайте компенсаційну трубку від повітряної камери (тільки модель KIS).



**Налаштування максимальної та мінімальної потужності ГВП**

- Відкрийте кран гарячої води до максимального витрати.
- На панелі керування встановіть перемикач функцій у положення «Літній режим» і встановіть максимальний селектор температури ГВП.
- Увімкніть котел, встановивши головний вимикач у положення «ON».
- Перевірте, щоб показники тиску на манометрі були стабільними. Якщо зчитування не стабільне, використовуйте міліамперметр (попередньо з проводом модулятора), щоб перевірити, що максимальний доступний струм подається в модулятор (120 мА для G20 і 165 мА для СПГ).
- Обережно зніміть захисний ковпачок з регулювальних гвинтів за допомогою викрутки.
- За допомогою гайкового ключа CH10 поверніть регулювальну гайку для максимального виходу, щоб отримати значення, вказане в таблиці 1.

**ТАБЛИЦЯ 1**

Максимальний тиск на виході клапана (допуск ±10%)	ПРИРОДНИЙ ГАЗ (G20)	ЗРІДЖЕНИЙ ГАЗ		
		БУТАН (G30)	ПРОПАН (G31)	
START 28 KI	12,70	27,00	35,20	мбар
START 24 KIS	11,80	27,80	35,80	мбар
START 28 KIS	11,30	28,00	36,00	мбар
START 35 KIS	9,60	-	35,00	мбар

- Від'єднайте фастонний затиск від модулятора.
- Зачекайте, поки тиск на манометрі стабілізується на мінімальному значенні.
- Використовуйте шестигранний ключ з обережністю, не натискайте на внутрішній вал, щоб відрегулювати червоний гвинт для мінімального значення гарячої води та відкалібрувати, доки вимірювач не покаже значення, вказане в таблиці 2.

**ТАБЛИЦЯ 2**

Максимальний тиск на виході клапана (допуск ±10%)	ПРИРОДНИЙ ГАЗ (G20)	ЗРІДЖЕНИЙ ГАЗ		
		БУТАН (G30)	ПРОПАН (G31)	
START 28 KI	1,00	2,30	2,90	мбар
START 24 KIS	1,50	3,30	4,30	мбар
START 28 KIS	1,60	3,60	4,80	мбар
START 35 KIS	1,10	-	4,40	мбар

- Підключіть затиск фастонний затиск на модуляторі.
- Закрийте кран для гарячого водопостачання.

**Електрична установка мінімального та максимального нагрівання**

**!** Функція «електрична установка» активується і вимикається виключно за допомогою перемички (JP1).

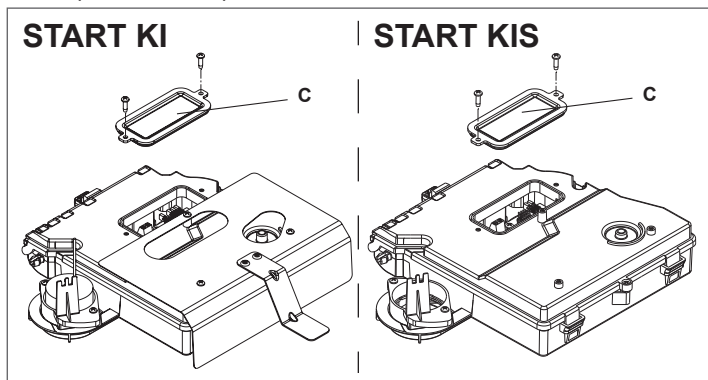
Функцію можна ввімкнути за допомогою:

- живлення плати за допомогою перемички JP1, підключеної до, і перемикача функцій, встановленого на Зимовий режим, незалежно від того, активні чи інші операційні запити
- підключення в перемичці JP1, за допомогою перемикача функцій встановлено на Зимовий режим, без виконання запитів на опалення.

**!** Активація функції передбачає запуск пальника шляхом імітації запиту на опалення.

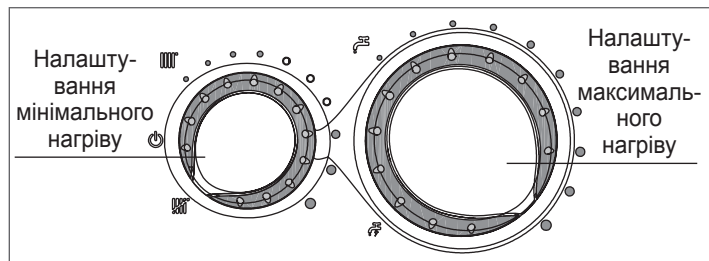
Для калібрування:

- вимкніть котел
- витягніть корпус, натисніть бічні кнопки на панелі керування, а потім поверніть його вперед



- викрутіть гвинти для доступу до плати
- провід в перемичці JP1 для включення циферблатів на панелі керування для встановлення мінімальних і максимальних значень нагріву
- переконайтеся, що перемикач функцій встановлено на Зиму
- підключити котел до електромережі

**!** Електрична плата (230 В).



- Поверніть регулятор температури мережевої води до мінімального значення нагріву, як зазначено в таблиці 3

**ТАБЛИЦЯ 3**

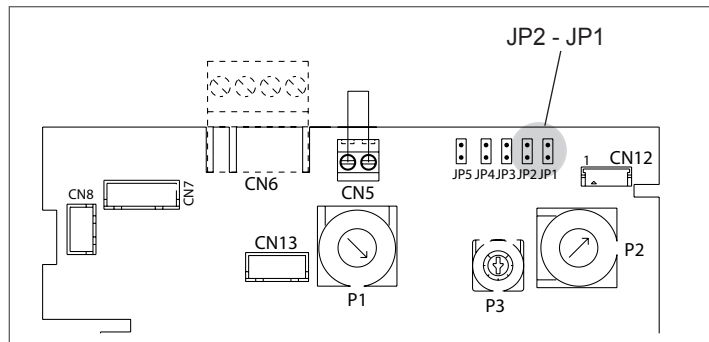
Мінімальний тиск в режимі нагріву на виході клапана (допуск ±10%)	ПРИРОДНИЙ ГАЗ (G20)	ЗРІДЖЕНИЙ ГАЗ		
		БУТАН (G30)	ПРОПАН (G31)	
START 28 KI	2,60	5,50	7,10	мбар
START 24 KIS	1,50	3,30	4,30	мбар
START 28 KIS	2,25	5,20	6,80	мбар
START 35 KIS	1,10	-	4,40	мбар

- Провід в перемичці JP2
- Поверніть регулятор температури ГВП на максимальне нагрівання значення, зазначене в таблиці 4.

**ТАБЛИЦЯ 4**

Максимальний тиск в режимі нагріву на виході клапана (допуск ±10%)	ПРИРОДНИЙ ГАЗ (G20)	ЗРІДЖЕНИЙ ГАЗ		
		БУТАН (G30)	ПРОПАН (G31)	
START 28 KI	12,70	27,00	35,20	мбар
START 24 KIS	11,80	27,80	35,80	мбар
START 28 KIS	11,30	28,00	36,00	мбар
START 35 KIS	9,60	-	35,00	мбар

- Поверніть перемичку JP2 щоб запам'ятати максимальне значення нагріву
- Поверніть перемичку JP1, щоб запам'ятати мінімальне значення нагріву та вийти з процедури калібрування
- Підключіть компенсаційну трубку до повітряної камери (тільки модель KIS)
- Від'єднайте манометр і встановіть гвинт точки випуску.




**!** Для завершення калібрування без запам'ятовування встановлених значень:


- встановіть перемикач функцій на OFF-unblock
- вимкніть живлення.

**!** Калібрування завершується автоматично, без запам'ятовування мінімального або максимального значення, через 15 хвилин після активації.

**!** Функція також автоматично припиняється у випадку зупинки або постійного блоку. Знову ж таки, значення НЕ запам'ятовуються.

**ПРИМІТКА:** для калібрування тільки максимального значення нагріву, вийміть перемичку JP2 (для запам'ятовування максимального значення), а потім вийдіть з функції без запам'ятовування мінімального значення,

встановивши перемикач функцій у положення  OFF або вимкнувши котел у мережі.


 Після будь-якого втручання на газовий клапан регулюють компонент, ущільнюють герметизуючою фарбою.


#### 4.9 Переведення з одного типу газу в інший


Котел постачається для роботи з природним газом відповідно до технічні характеристики на табличці технічних даних.

Проте, він може бути перетворений з одного типу газу на інший, використовуючи спеціальні комплекти, доступні за запитом.

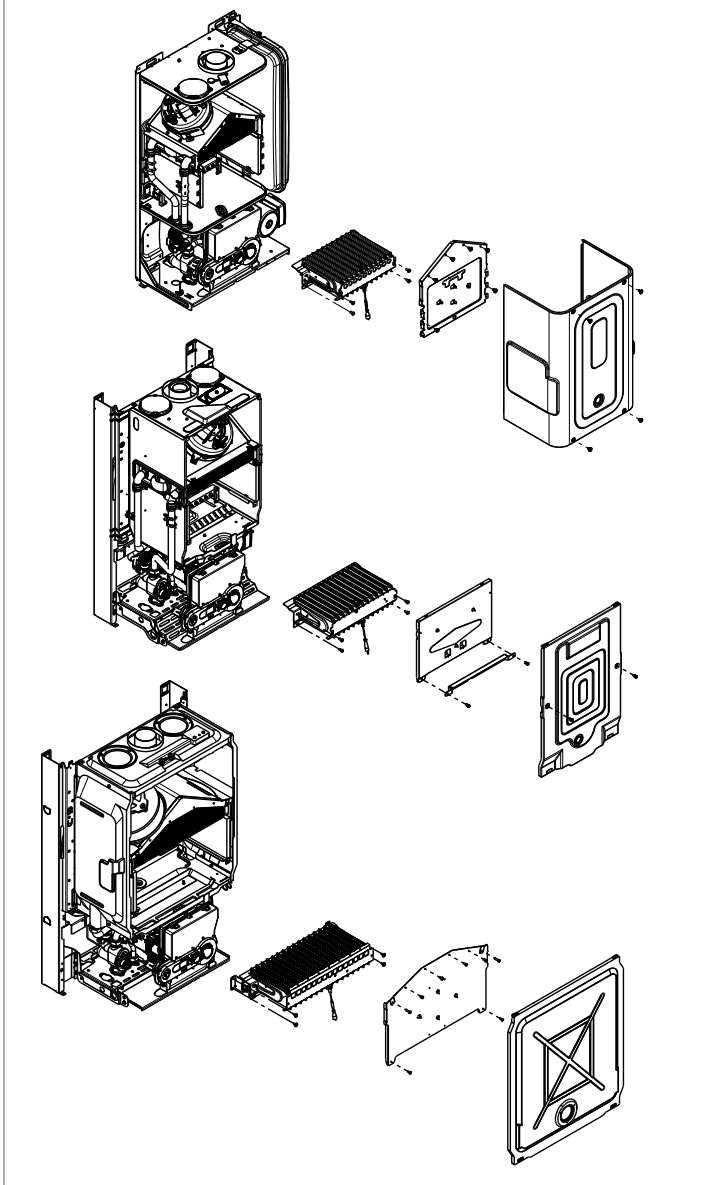
- Комплект для перетворення природного газу
- Комплект для перетворення СПГ.

 Процедура переобладнання повинна виконуватися лише службою технічної допомоги або уповноваженим персоналом, а також після встановлення котла.

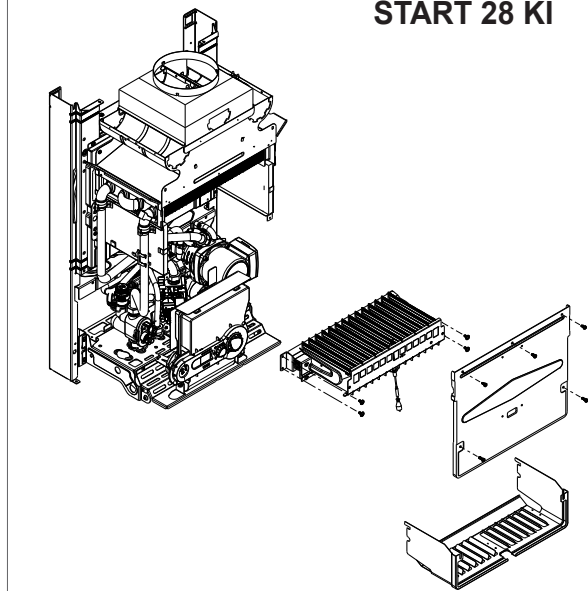
 Додаткову інформацію щодо складання див. в інструкціях, що входять до комплекту.

 Після переведення котла на інший газ його потрібно знову налаштувати. Дотримуйтесь інструкцій у відповідному пункті та застосуйте нову табличку з ідентифікаційними даними, що постачається в комплекті.

### START 24 - 28 - 35 KIS

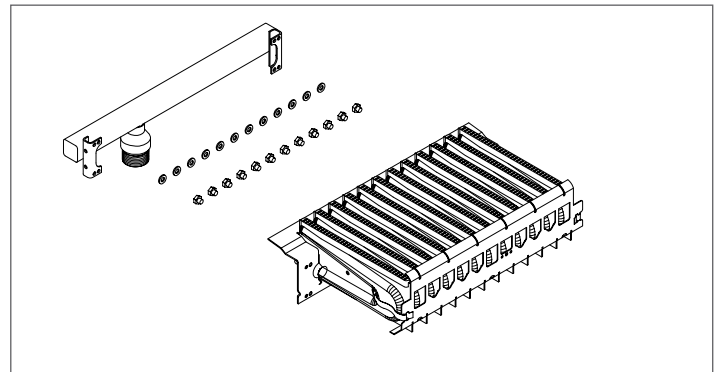



### START 28 KI



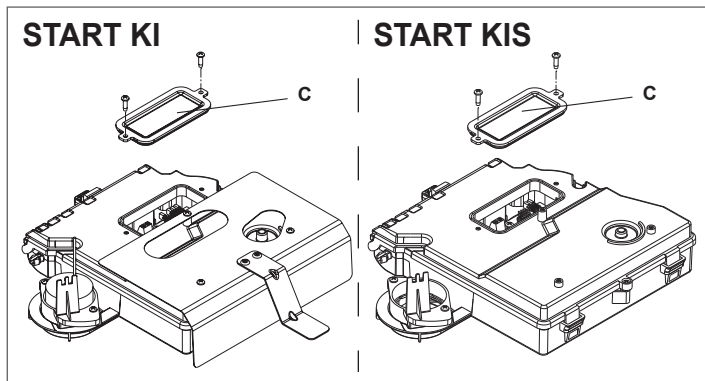
#### При переході від природного газу до СПГ:

- Вимкніть живлення котла і вимкніть газовий клапан
- Послідовно видаліть наступне:
  - START KI:** корпус, нижня оболонка і кришка камери згоряння
  - START KIS:** корпус, кришка камери повітря і кришка камери згоряння
- Від'єднайте дріт свічки запалювання
- **START KI:** викрутіть гвинти пальника і зніміть пальник з прикріпленою свічкою
- **START KIS:** витягніть кабельне ущільнення з повітряної камери, викрутіть гвинти пальника і зніміть пальник з прикріпленою свічкою і кабелями
- Використовуючи накидний ключ або гайковий ключ, зніміть форсунки та шайби і замініть їх на ті, що входять до комплекту.



 Використовуйте і встановлюйте шайби, що входять до комплекту, навіть для колекторів без шайб.

- Встановіть пальник у камеру згоряння і затягніть гвинти закріплення його на газовому колекторі
- **START KIS:** встановіть кабельне ущільнення із проводами свічки запалювання на повітряній камері
- Підключіть провід свічки запалювання
- Встановіть:
  - START KI:** кришка камери згоряння і нижня оболонка
  - START KIS:** кришка камери згоряння та кришка повітряної камери
- Поверніть панель керування вперед
- Зніміть кришку (C) для доступу до плати керування



**Для переходу з природного газу на СПГ:** переведіть перемичку в положення JP3.

**Для переходу з СПГ на природний газ:** переведіть перемичку з положення JP3.

- Знову ввімкніть котел і знову відкрийте газовий клапан.
- Відрегулюйте котел, як описано в розділі «Регулювання». Це повинно здійснюватися виключно Службою технічної допомоги.
- Закрийте кришку.
- Нанесіть етикетку з назвою газу, що постачається в комплекті, щоб замінити попередню версію.
- Переобладнайте корпус.

**!** Після будь-якого втручання на газовий клапан регулюють компонент, ущільнюють герметизуючою фарбою.

#### 4.10 Очистка котла

Перед очисткою відключіть електроживлення, перемикаючи головний системний вимикач у положення «OFF».

##### Зовнішня очистка

Очистіть корпус, панель керування, пофарбовані деталі та пластикові деталі вологими мильними полотнами.

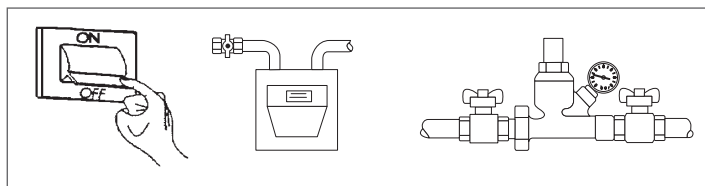
Для складних плям змочіть тканину сумішшю 50% води і денатурованого спирту або використовуйте специфічні продукти.

**⊖** Ніколи не використовуйте паливо та/або губки, змочені в абразивних розчинах або порошкових мийних засобах.

##### Внутрішня очистка

Перед очисткою всередині:

- відключити газові клапани
- закрити крани системи.






## КОРИСТУВАЧ











### A - Загальні інструкції

-  Після отримання виробу, переконайтеся, що він цілий та укомплектований усіма деталями. Якщо це не відповідає зробленому замовленню, зверніться до компанії Riello, де було придбано обладнання.
-  Монтаж котла повинен виконуватися кваліфікованою компанією. Після встановлення приладу ця компанія повинна видавати власнику декларацію про відповідність, яка підтверджує, що установка виконана професійно, відповідно до вимог усіх чинних національних та місцевих нормативних документів, а також відповідно до керівництва з експлуатації Riello, що постачається з приладом.
-  Котел **START KI** повинен використовуватися з метою, для якої він був розроблений і виготовлений виробником. Riello не приймає ніякої договірної або поза договірної відповідальності за шкоду, завдану людям, тваринам або майну, через неправильну установку, технічне обслуговування або неналежне використання.
-  У разі виявлення витікання води, відключіть котел від електромережі, відключіть подачу води та негайно зверніться до служби технічної допомоги або професійно кваліфікованого фахівця.
-  Регулярно перевіряйте, щоб робочий тиск системи водопостачання був вище 1 бар і нижче граничного показника, визначеного для приладу. Якщо це не так, будь ласка, зверніться до служби технічної допомоги або професійно кваліфікованого фахівця.
-  Котли **START KI** обладнані витяжним термостатом, розташованим на правій стороні кофпака. Якщо продукти згоряння повертаються, цей пристрій негайно вимикає роботу котла.
-  Якщо витяжний термостат вимкнувся, значить виникла несправність котла. Будь ласка, негайно зверніться до служби технічної допомоги.
-  Якщо котел не буде використовуватися протягом тривалого періоду часу, необхідно:
  - поверніть перемикач головного пристрою в положення «OFF»
  - повернути головний системний перемикач у положення «OFF»
  - відключіть систему опалення газу і водні крани
  - якщо є ризик замерзання, злити воду з системи опалення та системи гарячого водопостачання.
-  Технічне обслуговування котла повинно проводитися не рідше одного разу на рік.
-  Дане керівництво та посібник користувача являються невід'ємною частиною котла. Тому вони повинні ретельно зберігатися і завжди знаходитися біля котла, навіть у випадку продажу іншому власнику або користувачу, або в разі переміщення котла в інше місце. У разі втрати або пошкодження керівництва, будь ласка, отримайте іншу копію в службі технічного обслуговування вашого регіону.
-  Функція антиблокування насоса активується через 24 години бездіяльності, за допомогою перемикача функцій будь-якої установки.
-  Для отримання інформації щодо установки, будь ласка, зверніться до спеціалізованих техніків.
-  Вентиляційні отвори мають важливе значення для правильного спалювання і для безпеки (тільки модель KI).
-  Після закінчення терміну експлуатації виріб не повинен утилізуватися як тверді міські відходи, а має бути доставлений у спеціалізований центр утилізації відходів.

### B - Основні правила безпеки

Пам'ятайте, що при використанні продуктів, що містять газ, електроенергію та воду, необхідно дотримуватися деяких основних вимог безпеки:

-  Забороняється використовувати пристрої або електричні прилади, такі як вимикачі або побутові прилади, і т.д., якщо відчуваєте запах газу або незгорілого газу. У цьому випадку:
  - відкрийте двері та вікна, щоб провітрити приміщення;
  - закрийте газову засувку;
  - негайно зателефонуйте в службу технічної допомоги або кваліфікованому фахівцю.
-  Заборонено торкатися котла, якщо ви стоїте босоніж і деякі ділянки вашого тіла вологі.
-  Заборонено виконувати будь-яке втручання або проводити чистку котла до того, як буде відключено електроживлення. Для цього переведіть головний вимикач системи і головний перемикач котла в положення «OFF».

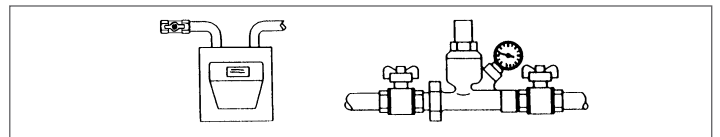
-  Заборонено вносити зміни в роботу пристроїв безпеки і контролю не отримавши дозвіл і рекомендації від виробника котла.
-  Заборонено тягнути, рвати, скручувати електричні кабелі, що виходять з котла, навіть якщо відключено електричне живлення.
-  Заборонено затикати або зменшувати розмір вентиляційних отворів (якщо такі є) у приміщенні, де встановлений котел.
-  Заборонено піддавати пристрій атмосферному впливу. Він не призначений для роботи на відкритому повітрі.
-  Заборонено зберігати контейнери з горючими речовинами в приміщенні, де встановлено котел.
-  Заборонено використовувати пристрій особам (включаючи дітей) зі зниженими фізичними, сенсорними або розумовими здібностями, або особам, які не мають достатнього досвіду або знань про цей пристрій, якщо тільки вони не перебувають під наглядом або навчанням особи, відповідальної за його використання.
-  Утилізуйте упаковку відповідально та зберігайте весь пакувальний матеріал в недоступному для дітей місці, оскільки він є потенційним джерелом небезпеки. Пакувальний матеріал слід утилізувати відповідно до чинного законодавства.
-  Заборонено від'єднувати котел від електромережі або вимикати газовий клапан, якщо температура може знизитися нижче нуля, оскільки система першого рівня захисту від замерзання (див. «Відключення котла на нетривалий час») буде вимкнена.
-  Заборонено змінювати герметичні компоненти.
-  Заборонено розміщувати потенційно небезпечні об'єкти на котлі.

### C - Введення в експлуатацію

Котел повинен запускатися вперше службою технічного обслуговування, після чого котел може працювати автоматично. Однак, можливо, вам доведеться знову запустити котел, не залучаючи технічну службу, наприклад, після тривалого відсутності.

У таких випадках:

- Переконайтеся в тому, що газовий і водний крани системи опалення та ГВП відкриті.

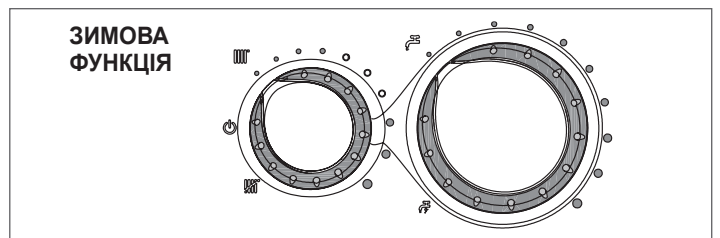


- Перевірте робочий стан пристроїв фільтрації та/або обробки води.
- Переконайтеся, що тиск у водяному контурі, в холодних умовах, завжди становить від 1 до 1,5 бар.
- Налаштуйте кімнатний термостат до необхідної температури (~20 °C) або, якщо системи обладнані програмованим термостатом або таймером, перевірте, що він увімкнений і встановлений (~20 °C).

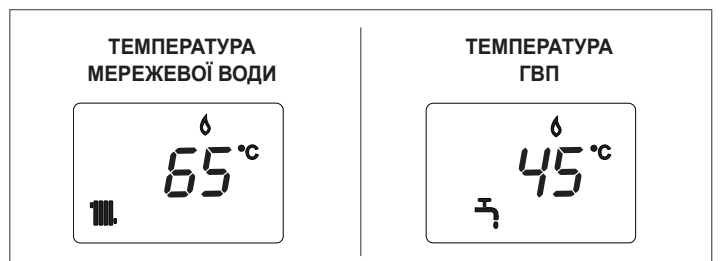
Поверніть перемикач режимів у потрібне значення:

#### Зимовий режим


Коли перемикач режимів встановлено в межах цього діапазону, котел постачає гарячу воду та опалення. У випадку запиту на опалення, котел вмикається.

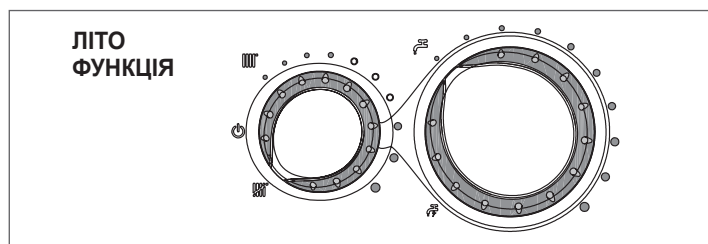


Цифровий дисплей відображає температуру нагрівальної води. У разі запиту ГВП, котел вмикається. На дисплеї відображається температура гарячої води.



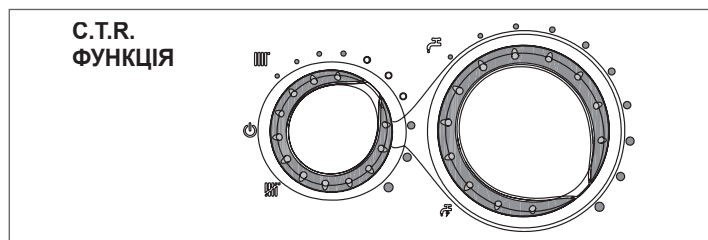
### Літній режим

Коли встановити перемикач функцій на символ «Літо» , активується звичайна функція тільки для ГВП. У разі запиту ГВП, котел вмикається. Цифровий індикатор показує температуру гарячої води.



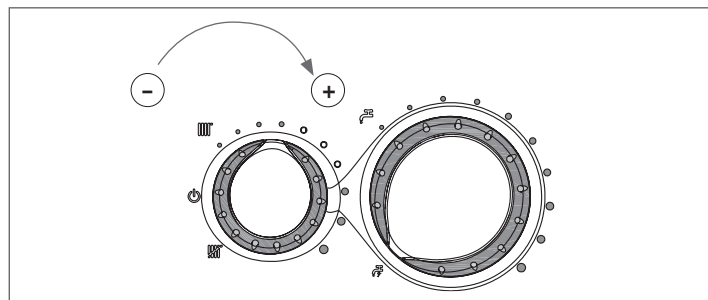
### Функція контролю температури нагріву (C.T.R.)

Коли перемикач температури нагрівальної води розташований у секції, позначеній на малюнку, функція самоконтролю C.T.R. активується. Відповідно до встановленої температури кімнатного термостата та часу, необхідного для досягнення цього значення, котел автоматично змінює температуру води для нагріву, скорочуючи час роботи та підвищуючи комфорт та економію енергії.




### D - Регулювання температури нагріву

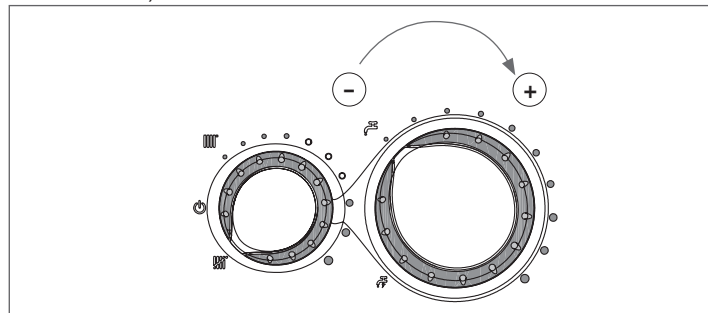
Щоб відрегулювати температуру нагрівальної води, поверніть перемикач режимів в межах діапазону регулювання (за годинниковою стрілкою, щоб збільшити і проти годинникової стрілки для зменшення).



### E - Регулювання температури ГВП

Для регулювання температури гарячої води (санвузли, душі, кухні тощо) поверніть циферблат із символом .

- за годинниковою стрілкою, щоб збільшити значення;
- проти годинникової стрілки, щоб зменшити значення (мін. 37 °С, макс. 60 °С).



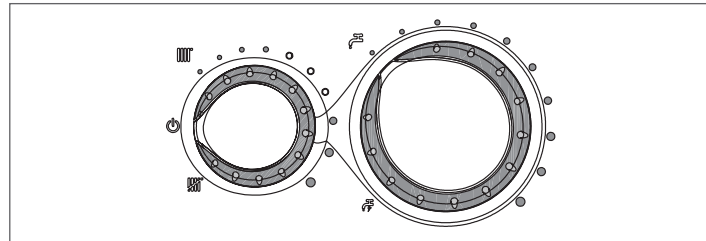
Котел залишається в режимі очікування, поки палик не запалиться після запиту на нагрів.

Котел працює до досягнення контрольованих температур або до задоволення потреби в теплі, після чого повертається в режим очікування.

### F - Відключення котла на нетривалий час


У випадку нетривалої відсутності, вихідних, коротких поїздок тощо:

- встановіть перемикач функцій у положення  «OFF».



При підключенні електричної мережі та активній подачі газу котел захищений такими системами:

#### Антизамерзання


Ця функція активується, якщо температура води в котлі опускається нижче 5 °С. Насос працює 15-хвилинний цикл кожні 2 години наступним чином: насос зупиняється, коли температура води котла перевищує 10 °С; палик мінімально підпалюється в режимі нагрівання, коли температура котлової води опускається нижче 5 °С, поки температура води не досягне 30 °С, після чого фаза після насоса триває 30 секунд. Під час циклу антизамерзання на цифровому дисплеї відображається символ .

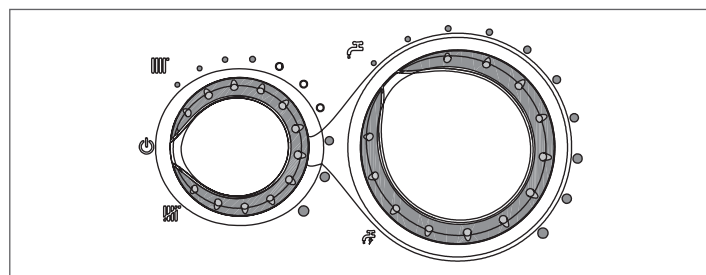
#### Функція антиблокування насоса

Насос активується кожні 24 години у режимі очікування та, у будь-якому випадку, через 3 години після останнього запиту на ГВП.

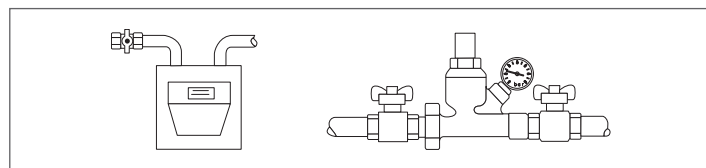
### G - Відключення котла на тривалий час


Якщо котел не використовується протягом тривалого періоду часу, виконайте наступні дії:


- встановіть перемикач режимів у положення  «OFF».
- поверніть головний системний вимикач у положення «OFF».



- закрийте систему опалення та ГВП та газові крани.






 У цьому випадку функції антизамерзання та антиблокування насоса відключені. Якщо є ризик замерзання, злийте воду із системи опалення та ГВП.

 Служба технічної допомоги доступна у разі виникнення проблем з виконанням вищезазначеної процедури.

### H - Дисплей і коди несправностей

На цифровому дисплеї відображається робочий стан котла. Нижче наведено різні дисплеї.

СТАТУС КОТЛА	ДИСПЛЕЙ	ТИП АВАРІЙНОГО СИГНАЛУ
Вимкнений	OFF	Жодний
В режимі очікування	-	Попередження
Сигнал модульного блоку ACF	A01 	Постійне блокування
Сигнал електричного пошкодження ACF	A01 	Постійне блокування
Сигнал обмежувального термостату	A02 	Постійне блокування

СТАТУС КОТЛА	ДИСПЛЕЙ	ТИП АВАРІЙНОГО СИГНАЛУ
Сигнал витяжного термостата (KI) сигнал перемикача тиску диференційного повітря (KIS)	A03	Постійне блокування
Сигнал перемикача тиску води	A04	Постійне блокування
Несправність НТК ГВП	A06	Попередження
Несправність НТК (нагрів)		Тимчасова зупинка
Перегрів датчика подачі нагріву	A07	Спочатку тимчасова, а потім постійна
Сигнал датчика подачі/повернення		Постійне блокування
Паразитне полум'я	A11	Тимчасова зупинка
Сигнал термостата систем низької температури	A77	Тимчасова зупинка
Перехідне очікування запалення	80 °C (flashing)	Тимчасова зупинка
Аварійна зупинка перемикача тиску води	(flashing)	Тимчасова зупинка
Сервісне калібрування Калібрування установки	ADJ	Попередження
Виявлено зовнішній датчик		Попередження
Запит на ГВП	60 °C	Попередження
Запит на опалення	80 °C	Попередження
Запит на захист від замерзання		Попередження
Виявлено полум'я		Попередження

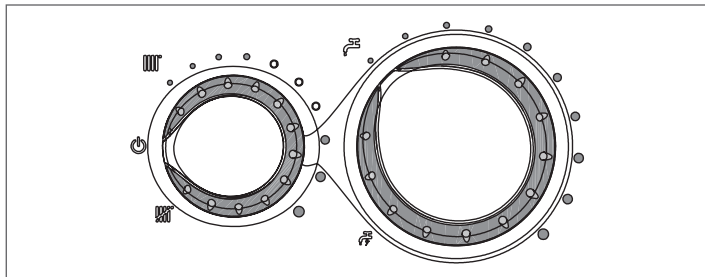
### I - Перезапуск несправностей

Щоб відновити роботу (розблокувати аварійні вимкачі).

#### Помилки A01-02-03

Встановіть перемикач режимів у положення OFF , почекайте 5-6 секунд, потім поверніть перемикач назад у потрібне значення.

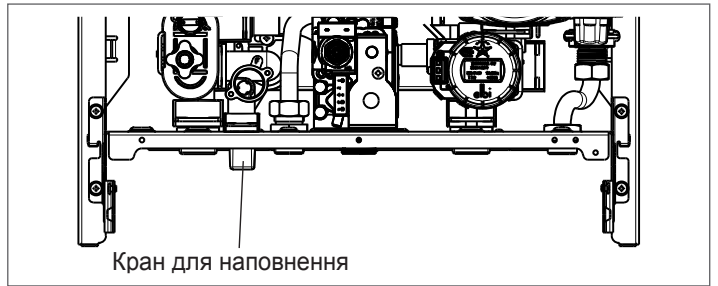
Якщо спроби розблокування не активують котел, зверніться за допомогою до служби технічної допомоги.



#### Несправність A04

Цифровий дисплей показує код несправності разом з символом .

Перевірте тиск, показаний на водяному манометрі: якщо тиск менше 0,3 бар, встановіть перемикач режимів на (OFF) і відрегулюйте кран для наповнення, поки тиск не перевищить 1 і 1,5 бар.



Потім поверніть перемикач функцій назад у потрібне значення. Якщо часто спостерігається падіння тиску, зверніться за допомогою до служби технічної допомоги.

#### Несправність A06

Котел працює нормально, але не гарантує стабільну температуру ГВП, яка встановлена на рівні близько 50 °C.

Будь ласка, зверніться за допомогою до служби технічної допомоги.

#### Несправність A07

Будь ласка, зверніться за допомогою до служби технічної допомоги.

### J - Періодичне планове технічне обслуговування

ОПЕРАЦІЇ	PIK 1	PIK 2
Перевірка герметичного компонента	°	°
Очищення первинного теплообмінника з боку димоходу	°	°
Перевірка пристрою безпеки води та газу	°	°
Перевірка витрати газу та регулювання, де це необхідно	°	°
Перевірка димоходу і тяги	°	°
Очищення Пальника та перевірка ефективності запалювання	°	°
Перевірка гідравлічної ефективності	°	°
Аналіз згорання	-	°
Перевірка та змащування компонентів гідравлічної системи	-	°
Перевірка герметичності системи	-	°
Промивання теплообмінника	-	°
Перевірка ефективності електричних та електронних компонентів	-	°

**N.B.:** наведені вище операції з технічного обслуговування повинні виконуватися відповідно до діючих стандартів.

### K - Очистка

Очищайте тільки зовнішні панелі котла, використовуючи вологі, мильні тканини.

Для складних плям змочіть тканину сумішшю 50% води і денатурованого спирту або використовуйте спеціальні продукти.



Забороняється використовувати паливо та/або губки, змочені в абразивних розчинах або порошкових мийних засобах.



Заборонено проводити чистку котла до того, як буде відключено електроживлення. Для цього переведіть головний вимикач на панелі управління «вимкнено».

### ТАБЛИЦЯ 3 ОСНОВНИМИ ТЕХНІЧНИМИ ХАРАКТЕРИСТИКАМИ

<b>RIELLO</b>				EUROPEAN DIRECTIVE 2009/142/EC	
IP					
N.					
230 V ~ 50 Hz W		Qn = kW		D: l/min	
Pmw = bar T= 60 °C		Pn = kW		NOx:	
Pms = bar T= 90 °C					



Режим ГВП



Режим нагріву

Qn

Номінальна продуктивність

Pn

Номінальна теплопродуктивність

IP

Рівень захисту

Pmw

Максимальний тиск, ГВП

Pms

Максимальний тиск, опалення

T

Температура

D

Питома продуктивність

NOx

Клас NOx

## ТЕХНІЧНІ ХАРАКТЕРИСТИКИ

ОПИС		START 28 KI			START 24 KIS			START 28 KIS			START 35 KIS	
		G20	G30	G31	G20	G30	G31	G20	G30	G31	G20	G31
Газ		G20 G30 G31			G20 G30 G31			G20 G30 G31			G20 G31	
Категорія приладу • Країна призначення		II2H3+ • JO-SRB- MK-LB-EG-AL-UA			II2H3+ • JO-SRB- MK-LB-EG-UA II2H3B/P • AL			II2H3+ • JO-SRB- MK-LB-EG-AL-UA			II2H3P • JO-SRB- MK-LB-EG-AL-UA	
Тип пристрою		B11BS			B22P-B52P; C12-C12x; C32-C32x; C42-C42x; C52-C52x; C62- C62x; C82-C82x; C92-C92x			B22P-B52P; C12-C12x; C32-C32x; C42-C42x; C52-C52x; C62- C62x; C82-C82x; C92-C92x			B22P-B52P; C12-C12x; C32-C32x; C42-C42x; C52-C52x; C62- C62x; C82-C82x; C92-C92x	
<b>Опалення</b>												
Номинальна теплова потужність	кВт	31,90			25,80			30,50			37,60	
Номинальна теплопродуктивність	кВт	28,71			23,71			28,37			34,93	
Понижена теплова потужність	кВт	14,00			8,90			12,70			12,90	
Понижена теплопродуктивність	кВт	11,93			7,52			11,00			10,82	
<b>ГВП</b>												
Номинальна теплова потужність	кВт	31,90			25,80			30,50			37,60	
Номинальна теплопродуктивність	кВт	28,71			23,71			28,37			34,93	
Понижена теплова потужність	кВт	8,70			8,90			10,50			12,90	
Понижена теплопродуктивність	кВт	7,41			7,52			9,09			10,82	
ККД при максимальній та мінімальній потужності	%	90,0 - 85,2			91,9 - 84,5			93,0 - 86,6			92,9 - 83,9	
ККД при 30% потужності (47°)	%	89,5			84,0			91,9			92,5	
Коефіцієнт використання палива	%	91,2			93,0			92,5			93,0	
Максимальна витрата димових газів	g/s	18,855	17,868	18,484	14,308	13,985	14,120	18,210	17,960	18,590	21,091	21,147
Мінімальна витрата димових газів (CH)	g/s	16,978	15,833	16,423	16,247	16,429	16,683	19,700	19,490	19,980	21,749	22,093
Мінімальна витрата димових газів (ГВП)	g/s	10,550	9,839	10,206	-	-	-	-	-	-		
Швидкість потоку повітря	н.м. <sup>3</sup> /год	50,960	48,088	49,811	39,613	40,249	40,454	50,438	48,415	50,211	56,894	56,920
Швидкість потоку димових газів	н.м. <sup>3</sup> /год	54,160	50,432	52,285	42,204	41,008	41,455	53,496	50,650	52,567	60,666	59,837
Показник максимальної потужності надлишкового повітря (λ)		1,668	1,653	1,687	1,608	1,715	1,699	1,725	1,750	1,791	1,580	1,636
Показник мінімальної потужності надлишкового повітря (λ)		3,484	3,403	3,481	5,335	5,741	5,734	4,512	4,667	4,724	4,866	5,112
Температура димових газів (макс./мін.) *	°C	132/97	132/100	138/102	142/109	143/108	143/108	160/125	160/124	159/124	148/113	145/115
CO <sub>2</sub> при макс.* / мін.* менше ніж	%	6,7/3,1	8,2/3,9	7,8/3,7	7,3/2,2	8,2/2,5	8,1/2,4	6,8/2,6	8,0/3,0	7,65/2,9	7,1/2,2	8,1/2,5
CO S.A. при макс.* / мін.* менше ніж	р.р.м.	90/20	180/20	80/30	120/200	140/220	120/200	80/150	80/160	70/150	100/200	70/250
NOx S.A. при макс.* / мін.* менше ніж	р.р.м.	170/80	280/140	220/130	200/100	270/110	260/110	140/110	180/120	180/120	140/100	200/120
Клас NOx		2			3			3			3	
Максимальний робочий тиск нагріву	бар	3			3			3			3	
Мінімальний тиск для стандартної роботи	бар	0,25-0,45			0,25-0,45			0,25-0,45			0,25-0,45	
Максимальна допустима температура	°C	90			90			90			90	
Діапазон температури води в контурі опалення (±3°C)	°C	40/80			40/80			40/80			40/80	
Електричне живлення	Вольт- Гц	230-50			230-50			230-50			230-50	
Напір насоса доступний для системи	мбар	227			227			227			227	
при величині витрати	л/год	1.000			1.000			1.000			1.000	
Максимальне споживання електроенергії	Вт	89			115			131			163	
Електрична потужність насоса (1.000 л/год)	Вт	75			75			75			75	
Коефіцієнт електрозахисту	IP	X5D			X5D			X5D			X5D	
Розширювальний бак	л	8			8			8			10	
Початкове навантаження розширювального бака	бар	1			1			1			1	
Максимальний робочий тиск ГВП	бар	6			6			6			6	
Мінімальний робочий тиск ГВП	бар	0,15			0,15			0,15			0,15	
Виробництво гарячої води при Δt 25°C/30°C/35°C	л/хв	16,5/13,7/11,8			13,6/11,3/ 9,7			16,0/13,3/ 11,4			19,8/16,5/ 14,2	

ОПИС		START 28 KI	START 24 KIS	START 28 KIS	START 35 KIS
Діапазон вибору температури ГВП ( $\pm 3^{\circ}\text{C}$ )	$^{\circ}\text{C}$	37-60	37-60	37-60	37-60
Мінімальна величина витрати ГВП	л/хв	2	2	2	2
Обмеження величини витрати	л/хв	12	10	12	15


- \* **Модель KI:** Труба діаметром 130 мм – довжиною 0,5 м – перевірка виконана в режимі опалення при температурі води  $80^{\circ}\text{C}$ - $60^{\circ}\text{C}$ .  
**Модель KIS:** Перевірка виконана з концентричною трубою  $\varnothing$  60-100 - довжина 0,85 м – температура води  $80^{\circ}\text{C}$ - $60^{\circ}\text{C}$  – встановлений фланець димових газів відповідного діаметру.  
Залежно від типу відведення, значення CO можуть відрізнятися від заявлених. У разі перевищення 500 ppm терміново зверніться до Служби технічної підтримки.

## ТАБЛИЦЯ ДЛЯ РІЗНИХ ВИДІВ ГАЗУ

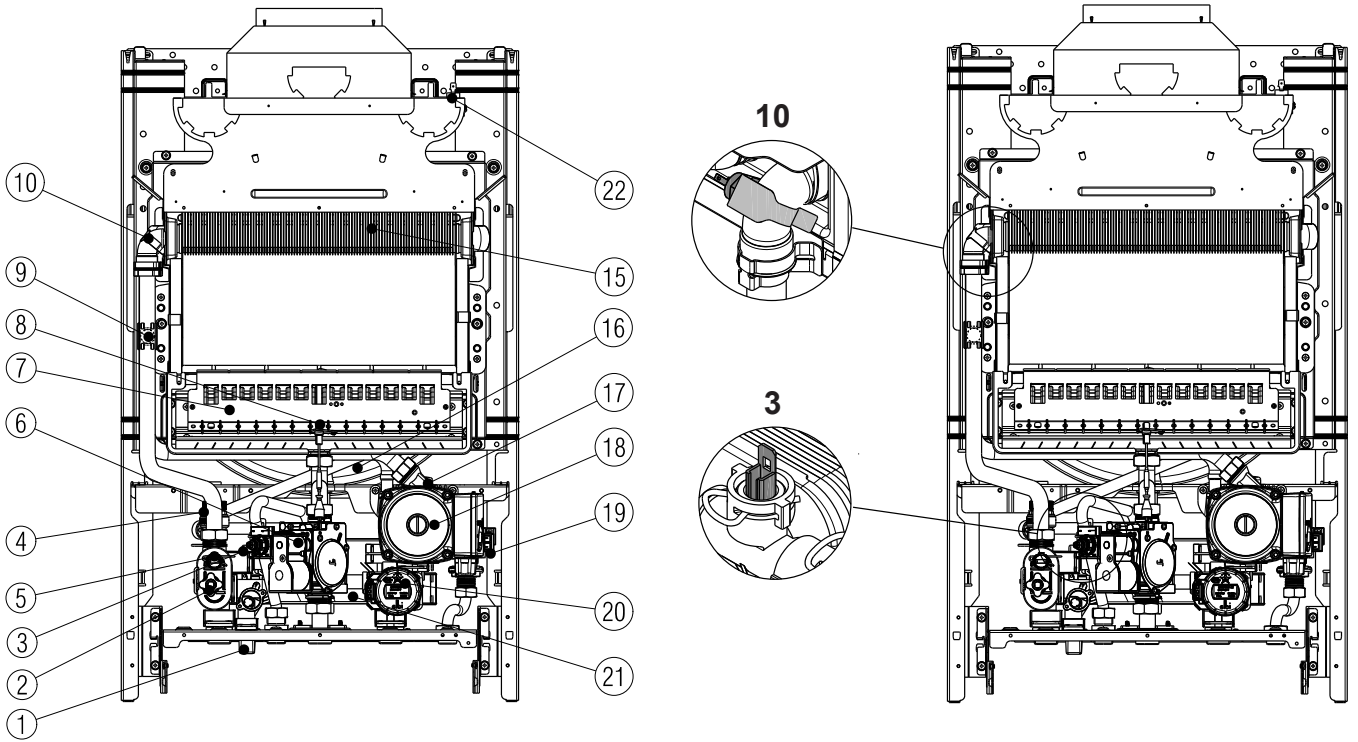
ОПИС		Газ метан (G20)	Бутан (G30)	Пропан (G31)
Нижче число Воббе (при $15^{\circ}\text{C}$ -1013 мбар)	МДж/м <sup>3</sup>	45,67	80,58	70,69
Нижча температура згорання	МДж/м <sup>3</sup>	34,02	116,09	88
Мінімальний тиск постачання	мбар (мм H <sub>2</sub> O)	13,5 (137,7)		
<b>START 28 KI</b>				
Номинальний тиск постачання (I12H3+)	мбар / [мм H <sub>2</sub> O]	20(13) / [203,9(132,6)]	28-30 / [285,5-305,9]	37 / [377,3]
Пальник: кількість форсунок	n°	14	14	14
діаметр форсунок	$\varnothing$ мм	1,30	0,78	0,78
Максимальна місткість по газу для СН	Стандартний м <sup>3</sup> /год	3,37		
	кг/год		2,51	2,48
Максимальна місткість по газу для ГВП	Стандартний м <sup>3</sup> /год	3,37		
	кг/год		2,51	2,48
Мінімальна місткість по газу для СН	Стандартний м <sup>3</sup> /год	1,48		
	кг/год		1,10	1,09
Мінімальна місткість по газу для ГВП	Стандартний м <sup>3</sup> /год	0,92		
	кг/год		0,69	0,68
Максимальний тиск для СН	(мбар)	12,70	27,00	35,20
	(мм H <sub>2</sub> O)	129,50	275,32	358,94
Максимальний тиск для ГВП	(мбар)	12,70	27,00	35,20
	(мм H <sub>2</sub> O)	129,50	275,32	358,94
Мінімальний тиск для СН	(мбар)	2,60	5,50	7,10
	(мм H <sub>2</sub> O)	26,51	56,08	72,40
Мінімальний тиск для ГВП	(мбар)	1,00	2,30	2,90
	(мм H <sub>2</sub> O)	10,20	23,45	29,57
<b>START 24 KIS</b>				
Номинальний тиск подачі (I12H3+)	мбар / [мм H <sub>2</sub> O]	20(13) / [203,9(132,6)]	28-30 / [285,5-305,9]	37 / [377,3]
Номинальний тиск подачі (I12H3B/P)	мбар / [мм H <sub>2</sub> O]	20(13) / [203,9(132,6)]	30 / [305,9]	30 / [305,9]
Пальник: кількість форсунок	n°	11	11	11
діаметр форсунок	$\varnothing$ мм	1,35	0,78	0,78
Максимальна місткість по газу для СН	Стандартний м <sup>3</sup> /год	2,73		
	кг/год		2,03	2,00
Максимальна місткість по газу для ГВП	Стандартний м <sup>3</sup> /год	2,73		
	кг/год		2,03	2,00
Мінімальна місткість по газу для СН	Стандартний м <sup>3</sup> /год	0,94		
	кг/год		0,70	0,69
Мінімальна місткість по газу для ГВП	Стандартний м <sup>3</sup> /год	0,94		
	кг/год		0,70	0,69
Максимальний тиск для СН	(мбар)	11,80	27,80	35,80
	(мм H <sub>2</sub> O)	120,33	283,48	365,06
Максимальний тиск для ГВП	(мбар)	11,80	27,80	35,80
	(мм H <sub>2</sub> O)	120,33	283,48	365,06
Мінімальний тиск для СН	(мбар)	1,50	3,30	4,30
	(мм H <sub>2</sub> O)	15,30	33,65	43,85
Мінімальний тиск для ГВП	(мбар)	1,50	3,30	4,30
	(мм H <sub>2</sub> O)	15,30	33,65	43,85
<b>START 28 KIS</b>				
Номинальний тиск подачі (I12H3+)	мбар / [мм H <sub>2</sub> O]	20(13) / [203,9(132,6)]	28-30 / [285,5-305,9]	37 / [377,3]
Пальник: кількість форсунок	n°	13	13	13
діаметр форсунок	$\varnothing$ мм	1,35	0,78	0,78
Максимальна місткість по газу для СН	Стандартний м <sup>3</sup> /год	3,23		
	кг/год		2,40	2,37
Максимальна місткість по газу для ГВП	Стандартний м <sup>3</sup> /год	3,23		
	кг/год		2,40	2,37

ОПИС		Газ метан (G20)	Бутан (G30)	Пропан (G31)
Мінімальна місткість по газу для СН	Стандартний м³/год	1,34		
	кг/год		1,00	0,99
Мінімальна місткість по газу для ГВП	Стандартний м³/год	1,11		
	кг/год		0,83	0,82
Максимальний тиск для СН	(мбар)	11,30	28,00	36,00
	(мм H <sub>2</sub> O)	115,23	285,52	367,10
Максимальний тиск для ГВП	(мбар)	11,30	28,00	36,00
	(мм H <sub>2</sub> O)	115,23	285,52	367,10
Мінімальний тиск для СН	(мбар)	2,25	5,20	6,80
	(мм H <sub>2</sub> O)	22,94	53,03	69,34
Мінімальний тиск для ГВП	(мбар)	1,60	3,60	4,80
	(мм H <sub>2</sub> O)	16,32	36,71	48,95
<b>START 35 KIS</b>				
Номинальний тиск подачі (I12H3P)	мбар / [мм H <sub>2</sub> O]	20(13) / [203,9(132,6)]	-	37 / [377,3]
Пальник: кількість форсунок	n°	16	-	16
діаметр форсунок	Ø мм	1,40	-	0,80
Максимальна місткість по газу для СН	Стандартний м³/год	3,98		
	кг/год		-	2,92
Максимальна місткість по газу для ГВП	Стандартний м³/год	3,98		
	кг/год		-	2,92
Мінімальна місткість по газу для СН	Стандартний м³/год	1,36		
	кг/год		-	1,00
Мінімальна місткість по газу для ГВП	Стандартний м³/год	1,36		
	кг/год		-	1,00
Максимальний тиск для СН	(мбар)	9,60	-	35,00
	(мм H <sub>2</sub> O)	97,89	-	356,90
Максимальний тиск для ГВП	(мбар)	9,60	-	35,00
	(мм H <sub>2</sub> O)	97,89	-	356,90
Мінімальний тиск для СН	(мбар)	1,10	-	4,40
	(мм H <sub>2</sub> O)	11,22	-	44,87
Мінімальний тиск для ГВП	(мбар)	1,10	-	4,40
	(мм H <sub>2</sub> O)	11,22	-	44,87

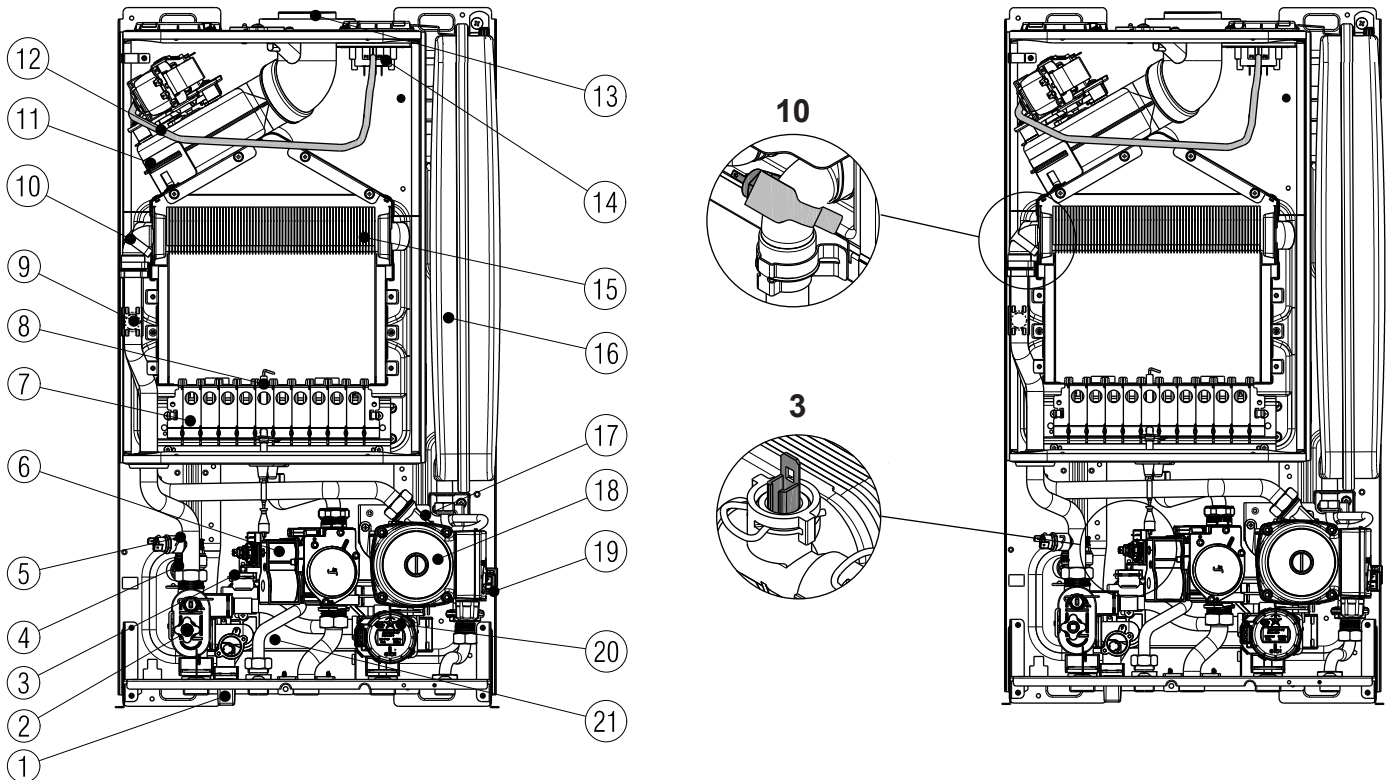
Весь тиск вимірюється при від'єднаній компенсаційній трубі (якщо така є).

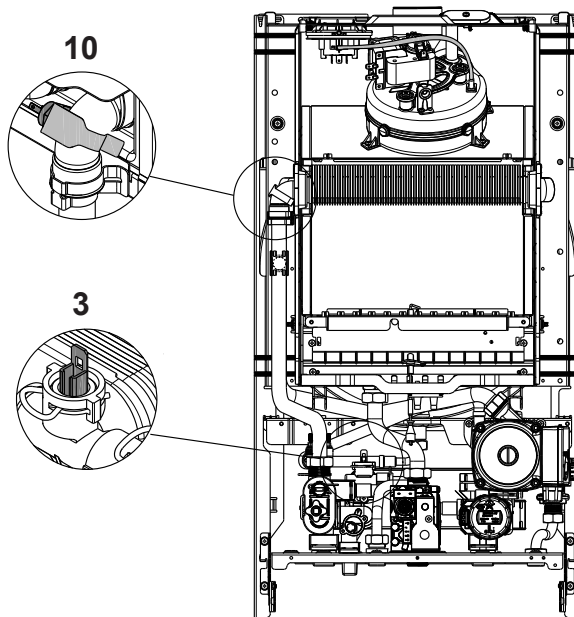
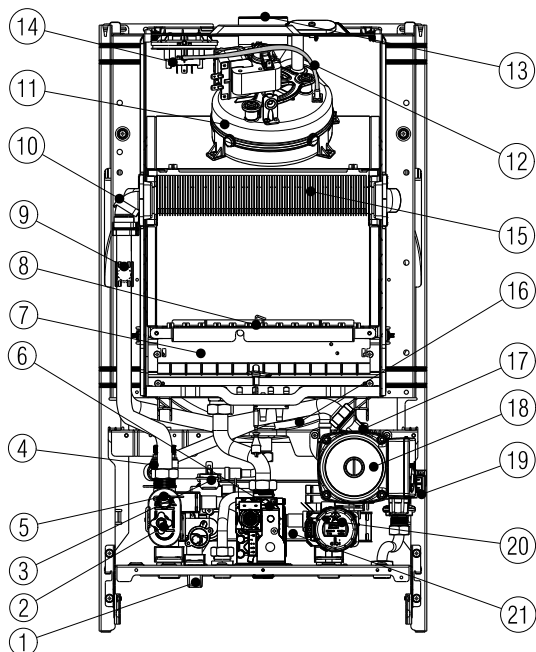
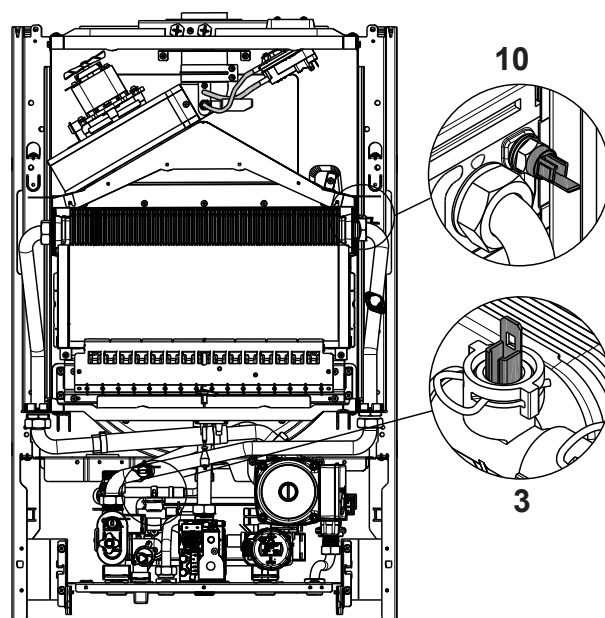
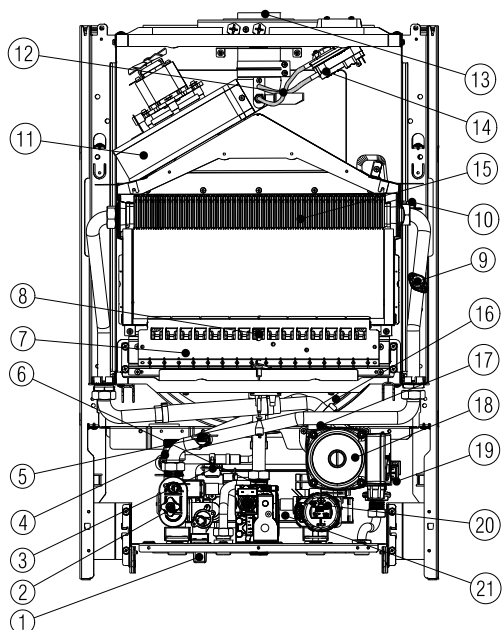
опис	Тип котла START								
	24 KIS	28 KIS	35 KIS	24 KIS	28 KIS	35 KIS	24 KIS	28 KIS	35 KIS
	C4			C6			C8		
Температура димових газів у номінальних умовах (при 80/60°C) [°C]	140	158	145	136	153	141	151	170	157
Масова витрата [м³/год] при номінальній потужності [кВт]	2,76	3,26	4,02	2,72	3,22	3,96	2,78	3,29	4,05
Номинальна потужність [кВт]	26	30,7	37,9	25,7	30,4	37,5	26,2	31,0	38,2
Перегрівання димових газів [°C]	N.A.								
Температура димових газів при мінімальній потужності [°C]	94	108	97	88	101	91	91	104	94
Масова витрата при мінімальній тепловій потужності [м³/год] при зниженій потужності [кВт]	0,93	1,10	1,35	0,94	1,11	1,36	0,95	1,12	1,38
Мінімальна номінальна потужність [кВт]	8,8	10,4	12,8	8,9	10,5	12,9	8,9	10,5	12,9
Вміст CO <sub>2</sub> в номінальних умовах [%]	6,95	6,47	6,76	8,05	7,50	7,83	4,25	3,96	4,13
CO <sub>2</sub> при мінімальній тепловій потужності [%]	2,05	2,42	2,05	2,30	2,72	2,30	1,30	1,54	1,30
Втрата мінімально допустимого тиску (у трубі подачі повітря та димових газів) [Па]	70	20	30	-	-	-	-	-	-
Втрата максимально допустимого тиску (в трубі подачі повітря та димових газів) [Па]	104	35	100	-	-	-	-	-	-
Максимально допустима різниця тиску між входом повітря для горіння та виходом димових газів (включаючи тиск вітру) [Па]	-	-	-	70	20	30	-	-	-
Максимально допустима температура повітря для горіння [°C]	-	-	-	45	45	45	-	-	-
	C9			28 KIS			35 KIS		
Мінімальний ефективний діаметр димоходу/господарського відсіку [мм]	240								
<b>Примітки</b>									
C1: - Для встановлення терміналів на стіні та даху зверніться до конкретних інструкцій, що містяться в комплектах.									
C3: - Виводи окремих контурів горіння та подачі повітря повинні лежати в межах квадратної площі 50 см, а відстань між поверхнями двох отворів має бути менше 50 см.									
C4: - Котли в цій конфігурації з відповідними з'єднувальними трубами можуть бути під'єднані лише до однієї природної тяги.									
C5: - Конденсат не допускається всередині приладу.									
C6: - Термінали для подачі повітря для горіння та відведення димових газів не можна встановлювати на протилежних стінах будівлі.									
C8: - Потік конденсату всередині приладу дозволений.									
- Максимально допустима швидкість рециркуляції 10% за вітряних умов.									
- Термінали для подачі повітря для горіння та відведення димових газів не можна встановлювати на протилежних стінах будівлі.									
- Пристрій не можна підключати до спільного димаря (тобто більше одного пристрою до одного димаря), який працює за умов позитивного тиску.									
 Цей тип конфігурації не дозволений у деяких країнах; зверніться до чинних місцевих норм.									
C8: - Конденсат не допускається всередині приладу.									

**START 28 KI**



**START 24 KIS**



**START  
28 KIS****START  
35 KIS****[EN] - Boiler functional elements**

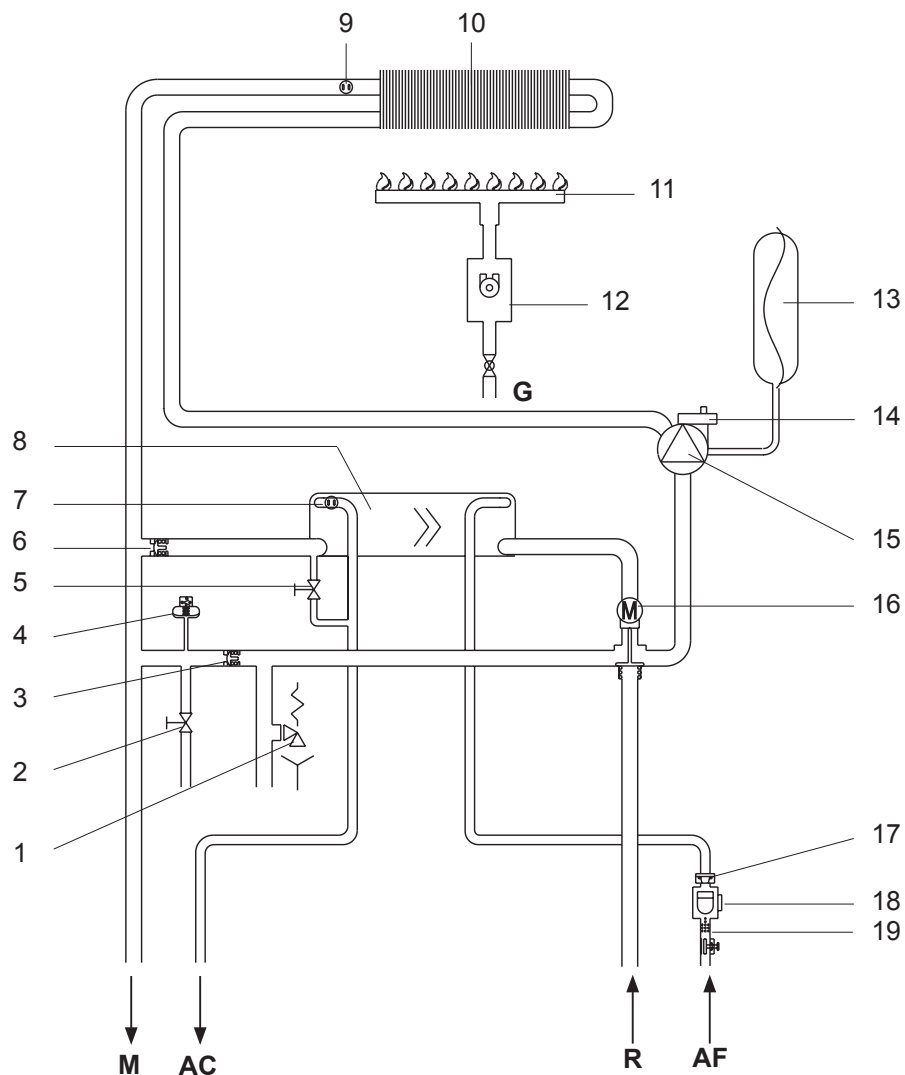
- 1 Filling tap
- 2 Discharge valve
- 3 Domestic hot water NTC probe
- 4 Safety valve
- 5 Water pressure switch
- 6 Gas valve
- 7 Burner
- 8 Flame ignition-detection electrode
- 9 Limit thermostat
- 10 Primary NTC probe
- 11 Fan (only KIS models)
- 12 Pressure/vacuum tube (only KIS models)
- 13 Exhaust fumes (only KIS models)
- 14 Pressure switch (only KIS models)
- 15 Monothermal exchanger
- 16 Expansion tank
- 17 Air vent valve
- 18 Circulation pump
- 19 Flow switch
- 20 Three-way valve
- 21 Domestic hot water exchanger
- 22 Fumes thermostat (only KI model)

**[FR] - Éléments fonctionnels de la  
chaudière**

- 1 Robinet de remplissage
- 2 Robinet de vidange
- 3 Sonde NTC d'eau chaude domestique
- 4 Soupape de sécurité
- 5 Pressostat d'eau
- 6 Vanne de gaz
- 7 Brûleur
- 8 Électrode de détection d'allumage de flamme
- 9 Thermostat limite
- 10 Sonde NTC primaire
- 11 Ventilateur (uniquement modèles KIS)
- 12 Tube pression/à vide (uniquement modèles KIS)
- 13 Bride des fumées (uniquement modèles KIS)
- 14 Pressostat (uniquement modèles KIS)
- 15 Échangeur monothermique
- 16 Vase d'expansion
- 17 Soupape d'aération
- 18 Pompe de circulation
- 19 Interrupteur de flux
- 20 Vanne à trois voies
- 21 Échangeur sanitaire
- 22 Thermostat fumées (uniquement modèle KI)

**[UK] - Функціональні елементи котла**

- 1 Кран заповнення
- 2 Випускний клапан
- 3 Датчик температури ГВП
- 4 Запобіжний клапан
- 5 Реле тиску води
- 6 Газовий клапан
- 7 Пальник
- 8 Електрод розпалу-іонізації полум'я
- 9 Запобіжний термостат
- 10 Первинний датчик
- 11 Вентилятор (тільки моделі KIS)
- 12 Напірна/вакуумна труба (тільки моделі KIS)
- 13 Випускні гази (тільки моделі KIS)
- 14 Реле тиску (тільки моделі KIS)
- 15 Монотермічний теплообмінник
- 16 Розширювальний бак
- 17 Повітряний випускний клапан
- 18 Циркуляційний насос
- 19 Реле витрати
- 20 Триходовий клапан
- 21 Обмінник ГВП
- 22 Витяжний термостат (тільки модель KI)



**[EN] - Water circuit**

- AF** Domestic water inlet
- AC** Domestic water outlet
- G** Gas
- M** Heating delivery
- R** Heating return line
- 1 Safety valve
- 2 Drain valve
- 3 Automatic by-pass
- 4 Water pressure switch
- 5 Filling tap
- 6 Non-return valve
- 7 Domestic hot water NTC probe
- 8 Domestic hot water exchanger
- 9 Heating NTC sensor
- 10 Primary heat exchanger
- 11 Burner
- 12 Gas valve
- 13 Expansion tank
- 14 Air vent valve
- 15 Circulator
- 16 Three-way solenoid
- 17 Flow regulator
- 18 Domestic hot water flow switch
- 19 DHW filter

**[FR] - Circuit hydraulique**

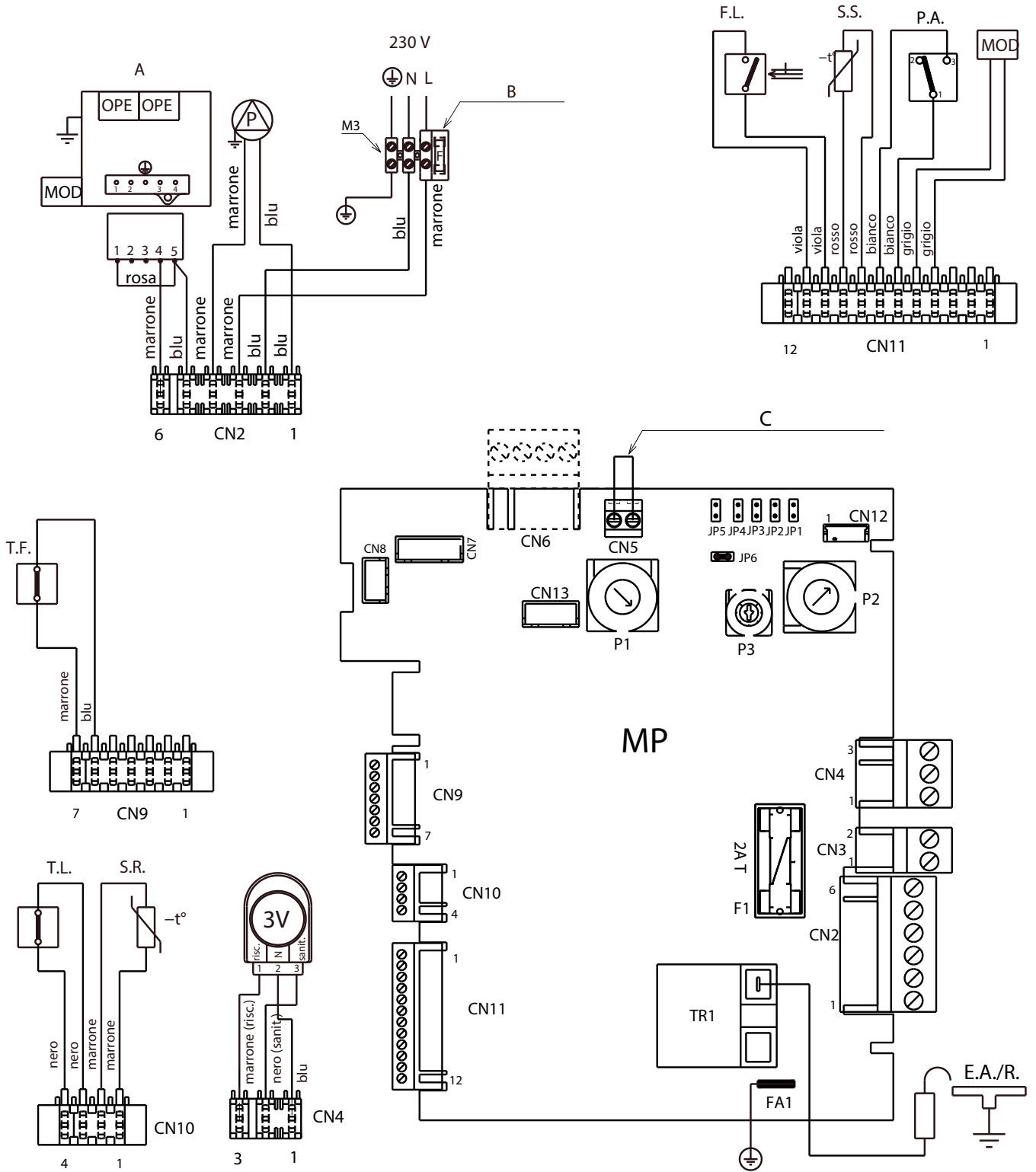
- AF** Entrée sanitaire
- AC** Sortie sanitaire
- G** Gaz
- M** Refoulement du chauffage
- R** Retour du chauffage
- 1 Vanne de sécurité
- 2 Vanne d'évacuation
- 3 Dérivation automatique
- 4 Pressostat eau
- 5 Robinet de remplissage
- 6 Clapet de non-retour
- 7 Sonde NTC sanitaire
- 8 Échangeur sanitaire
- 9 Sonde NTC chauffage
- 10 Échangeur primaire
- 11 Brûleur
- 12 Vanne gaz
- 13 Vase d'expansion
- 14 Vanne de purge d'air
- 15 Circulateur
- 16 Vanne à trois voies électrique
- 17 Régulateur de flux
- 18 Fluxostat sanitaire
- 19 Filtre sanitaire

**[UK] - Водяний контур**

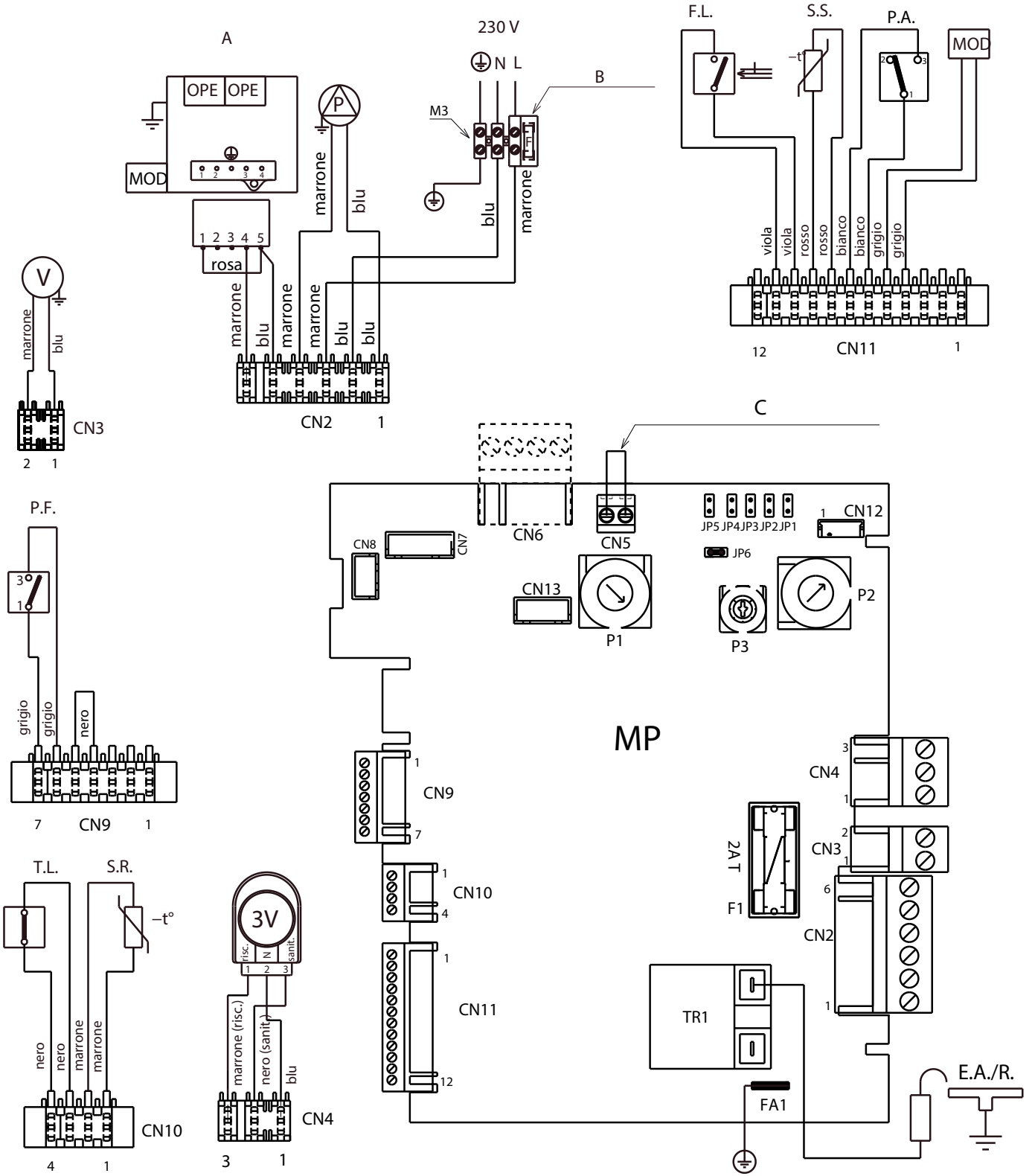
- AF** Впускний отвір для ГВП
- AC** Випускний отвір для ГВП
- G** Газ
- M** Постачання тепла
- R** Зворотна лінія системи опалення
- 1 Запобіжний клапан
- 2 Зливний клапан
- 3 Автоматичний байпас
- 4 Реле тиску води
- 5 Кран заповнення
- 6 Незворотний клапан
- 7 Датчик температури ГВП
- 8 Обмінник ГВП
- 9 Датчик нагріву
- 10 Первинний теплообмінник
- 11 Пальник
- 12 Газовий клапан
- 13 Розширювальний бак
- 14 Повітряний випускний клапан
- 15 Циркуляційна труба
- 16 Триходовий соленоїд
- 17 Регулятор витрати
- 18 Реле витрати ГВП
- 19 Фільтр ГВП



START KI



START KIS



**[EN] Multi-wire diagram****“L-N” Polarisation is recommended**

Marrone/Brown - Blu/Blue - Viola/Violet - Rosso/Red - Bianco/White - Grigio/Grey - Nero/Black - Rosa/Pink

<b>A</b>	Gas valve
<b>B</b>	3.15 AF fuse
<b>C</b>	Jumper room thermostat (contact must be free of voltage)
<b>MP</b>	Control card with digital display and integrated ignition transformer
<b>P1</b>	Potentiometer to select off - summer - winter – reset / heating temperature
<b>P2</b>	Potentiometer to select domestic hot water set point
<b>P3</b>	Potentiometer to select thermoregulation curve
<b>JP1</b>	Bridge to enable knobs for calibration
<b>JP2</b>	Bridge to reset the heating timer and log maximum electrical heating in calibration
<b>JP3</b>	Bridge to select NG - LPG
<b>JP4</b>	Absolute domestic hot water thermostats selector
<b>JP5</b>	<b>Not used</b>
<b>JP6</b>	Enable flowswitch or water tank thermostat/flowmeter management (jumper closed = flowswitch or water tank thermostat (only heating versions) / jumper open = flowmeter)
<b>F1</b>	Fuse 2A T

<b>F</b>	External fuse 3.15A F
<b>M3</b>	Terminal board for external connections
<b>T.A.</b>	Room thermostat
<b>E.A./R.</b>	Ignition/Detection electrode
<b>TR1</b>	Remote ignition transformer
<b>T.F.</b>	Fumes thermostat (KI model)
<b>V</b>	Fan (KIS model)
<b>P.F.</b>	Fumes pressure switch (KIS model)
<b>S.R.</b>	Primary circuit temperature probe (NTC)
<b>T.L.</b>	Limit thermostat
<b>OPE</b>	Gas valve operator
<b>P</b>	Pump
<b>3V</b>	3-way servomotor valve
<b>F.L.</b>	Domestic hot water flow switch
<b>S.S.</b>	Domestic hot water circuit temperature probe (NTC)
<b>PA</b>	Heating pressure switch (water)
<b>MOD</b>	Modulator
<b>CN1+CN13</b>	Connectors ( <b>Accessories: CN6 external sensor/control panel kit; CN7 zone valve kit; CN8 remote control alarm kit</b> )

**[FR] Schéma électrique multifilaire****Polarisation “L-N” recommandée**

Marrone/Marron - Blu/Bleu - Viola/Violet - Rosso/Rouge - Bianco/Blanc - Grigio/Gris - Nero/Noir - Rosa/Rose

<b>A</b>	Vanne gaz
<b>B</b>	Fusible 3.15 AF
<b>C</b>	Cavalier thermostat ambiant (contact doit être libre de tension)
<b>MP</b>	Carte de commande avec affichage numérique et transformateur d'allumage intégré
<b>P1</b>	Potentiomètre pour sélectionner off - été - hiver - réinitialisation/ chauffage température
<b>P2</b>	Potentiomètre pour sélectionner le point de consigne de l'eau chaude domestique
<b>P3</b>	Potentiomètre pour sélectionner la courbe de régulation de température
<b>JP1</b>	Étrier pour activer les boutons d'étalonnage
<b>JP2</b>	Étrier pour réinitialiser le timer du chauffage et enregistrer le chauffage électrique maximum dans le calibrage
<b>JP3</b>	Étrier pour sélectionner NG - GPL
<b>JP4</b>	Sélecteur de thermostat d'eau chaude domestique absolu
<b>JP5</b>	<b>Non utilisé</b>
<b>JP6</b>	Activation gestion interrupteur de débit ou thermostat ballon/ débitmètre (cavalier fermé = interrupteur de débit ou thermostat ballon (modèles "chauffage seul") / cavalier ouvert = débitmètre)

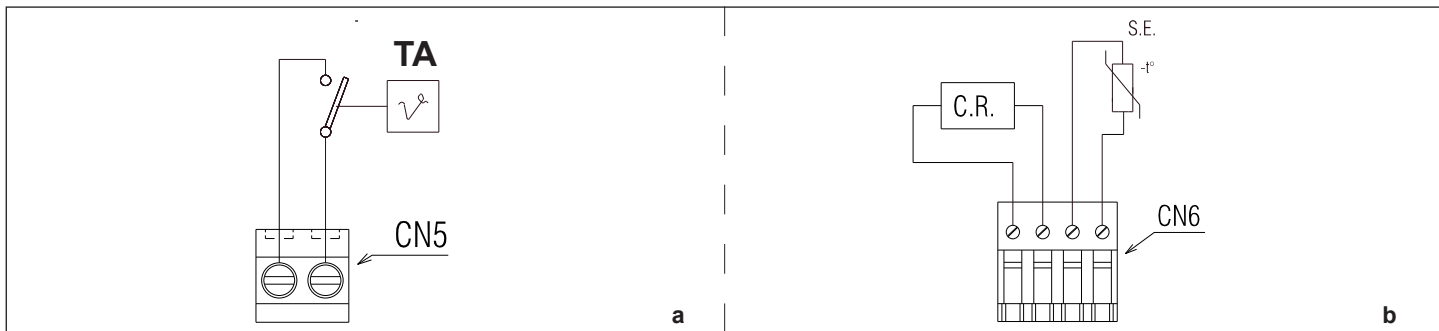
<b>F1</b>	Fusible 2A T
<b>F</b>	Fusible externe 3.15A F
<b>M3</b>	Carte à bornes pour connexions extérieures
<b>T.A.</b>	Thermostat ambiant
<b>E.A./R.</b>	Électrode d'allumage/détection
<b>TR1</b>	Transformateur d'allumage distant
<b>T.F.</b>	Thermostat fumées (modèle KI)
<b>V</b>	Ventilateur (modèle KIS)
<b>P.F.</b>	Pressostat fumées (modèle KIS)
<b>S.R.</b>	Sonde de température de circuit primaire (NTC)
<b>T.L.</b>	Thermostat limite
<b>OPE</b>	Opérateur de vanne de gaz
<b>P</b>	Pompe
<b>3V</b>	Vanne 3 voies du servomoteur
<b>F.L.</b>	Interrupteur de flux d'eau chaude domestique
<b>S.S.</b>	Sonde de température de circuit d'eau chaude domestique (NTC)
<b>PA</b>	Pressostat de chauffage (eau)
<b>MOD</b>	Modulateur
<b>CN1+CN13</b>	Connecteurs ( <b>Accessoires: CN6 kit sonde externe/panneau de commandes; CN7 kit vanne de zone; CN8 kit commandes à distances des alarmes</b> )

**[UK] Багатодротова схема****Рекомендується поляризація “фаза - нуль”**

Коричневий (Marrone) - Блакитний (Blu) - Фіолетовий (Viola) - Червоний (Rosso) - Білий (Bianco) - Сірий (Grigio) - Чорний (Nero) - Рожевий (Rosa)

<b>A</b>	Газовий клапан
<b>B</b>	3.15 Запобіжник AF
<b>C</b>	Кімнатний термостат з перемичкою (контакт не повинен бути під напругою)
<b>MP</b>	Контрольна карта з цифровим дисплеєм та вбудованим трансформатором запалювання
<b>P1</b>	Потенціометр для вибору вимкнення - літо - зима - скидання/ температура нагріву
<b>P2</b>	Потенціометр для вибору контрольної точки ГВП
<b>P3</b>	Потенціометр для вибору кривої терморегуляції
<b>JP1</b>	Паралельне з'єднання для включення ролика для калібрування
<b>JP2</b>	Паралельне з'єднання для скидання таймера нагріву і реєстрації максимального електричного нагрівання в калібруванні
<b>JP3</b>	Паралельне з'єднання для вибору природний газ – зріджений газ
<b>JP4</b>	Селектор абсолютних термостатів для ГВП
<b>JP5</b>	<b>Не використовується</b>
<b>JP6</b>	Увімкнення терморегулятора або резервуара для потоку води/ керування витратоміром (перемичка закрита = перемикач або термостат резервуара для води (тільки варіанти опалення)/

<b>F1</b>	перемичка відкрита = витратомір
<b>F</b>	Запобіжник 2A T
<b>F</b>	Зовнішній запобіжник 3.15AF
<b>M3</b>	Клемна панель для зовнішніх з'єднань
<b>T.A.</b>	Кімнатний термостат
<b>E.A./R.</b>	Електрод розпалу-іонізації полум'я
<b>TR1</b>	Дистанційний трансформатор запалювання
<b>T.F.</b>	Витяжний термостат (модель KI)
<b>V</b>	Вентилятор (модель KIS)
<b>P.F.</b>	Реле тиску витяжних газів (модель KIS)
<b>S.R.</b>	Датчик температури первинного контуру (NTC)
<b>T.L.</b>	Запобіжний термостат
<b>OPE</b>	Оператор газового клапана
<b>P</b>	Насос
<b>3V</b>	Триходовий клапан серводвигуна
<b>F.L.</b>	Реле витрати ГВП
<b>S.S.</b>	Датчик температури контура ГВП
<b>PA</b>	Реле тиску нагріву (вода)
<b>MOD</b>	Модулятор
<b>CN1+CN13</b>	З'єднувачі ( <b>Додаткове обладнання: зовнішній датчик CN6/комплект панелі управління; комплект вимикаючих клапанів CN7; комплект сигналізації для дистанційного керування CN8</b> )



**[EN] a - High voltage connections**

The room thermostat (TA, 24V DC) is inserted as shown in the diagram. First remove the jumper wired on the 2-way connector (CN5).

**b - Low voltage connections**

The low voltage utilities are connected as shown in the figure on the connector CN6.  
C.R. = remote control  
S.E. = external sensor

**[FR] a - Raccordements haute tension**

Le thermostat ambiant (TA, 24Vdc) sera indiqué comme il est indiqué sur le schéma après avoir retiré le cavalier présent le connecteur à 2 voies (CN5).

**b - Raccordements basse tension**

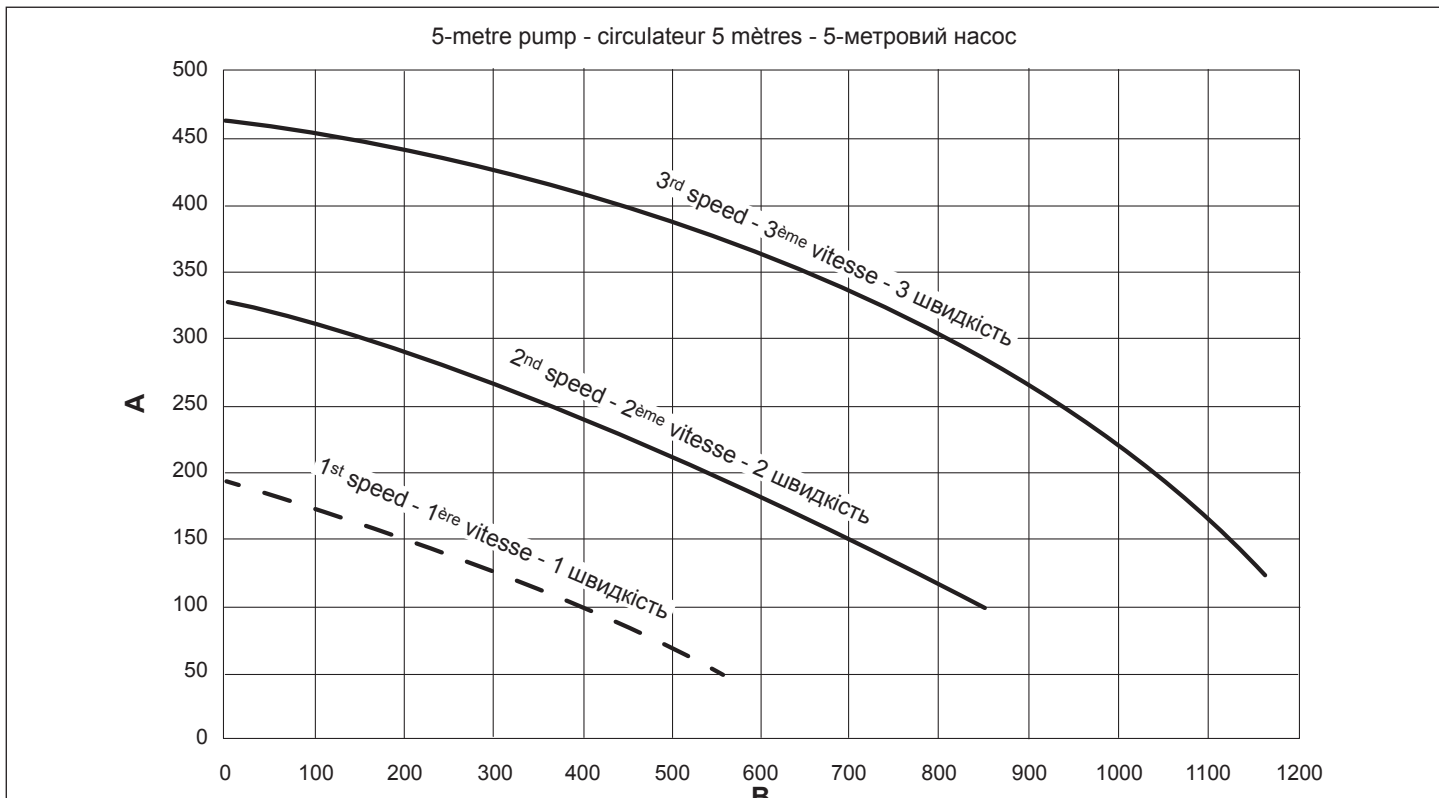
Les appareils de basse tension devront être raccordés comme l'indique la figure sur le connecteur CN6 prédisposé pour le raccordement des appareils de basse tension.  
C.R. = commande à distance  
S.E. = sonde externe

**[UK] a - Високовольтні з'єднання**

Встановлено кімнатний термостат (ТА, 24V постійний струм), як показано на схемі. Спочатку вийміть перемичку, підключену до 2-стороннього роз'єму (CN5).

**b - Низьковольтні з'єднання**

Утиліти низької напруги з'єднані, як показано на рисунку на роз'ємі CN6.  
C.R. = дистанційне керування  
S.E. = зовнішній датчик



**[EN] Circulator residual head**  
**A** - Discharge head (mbar)  
**B** - System capacity (l/h)

The boilers are equipped with an already hydraulically and electrically connected circulator, whose useful available performance is indicated in the graph. The circulator comes set from the factory with a 6 metre discharge head curve. The boiler is equipped with an anti-blocking system which starts up an operation cycle after every 24 hours in standby with the mode selector in any position.

- The "antiblocking" function is active only if the boiler is electrically powered.
- Operating the circulator without water is strictly forbidden.

**[FR] Prévalence résiduelle du circulateur**  
**A** - Prévalence (mbar)  
**B** - Débit (l/h)

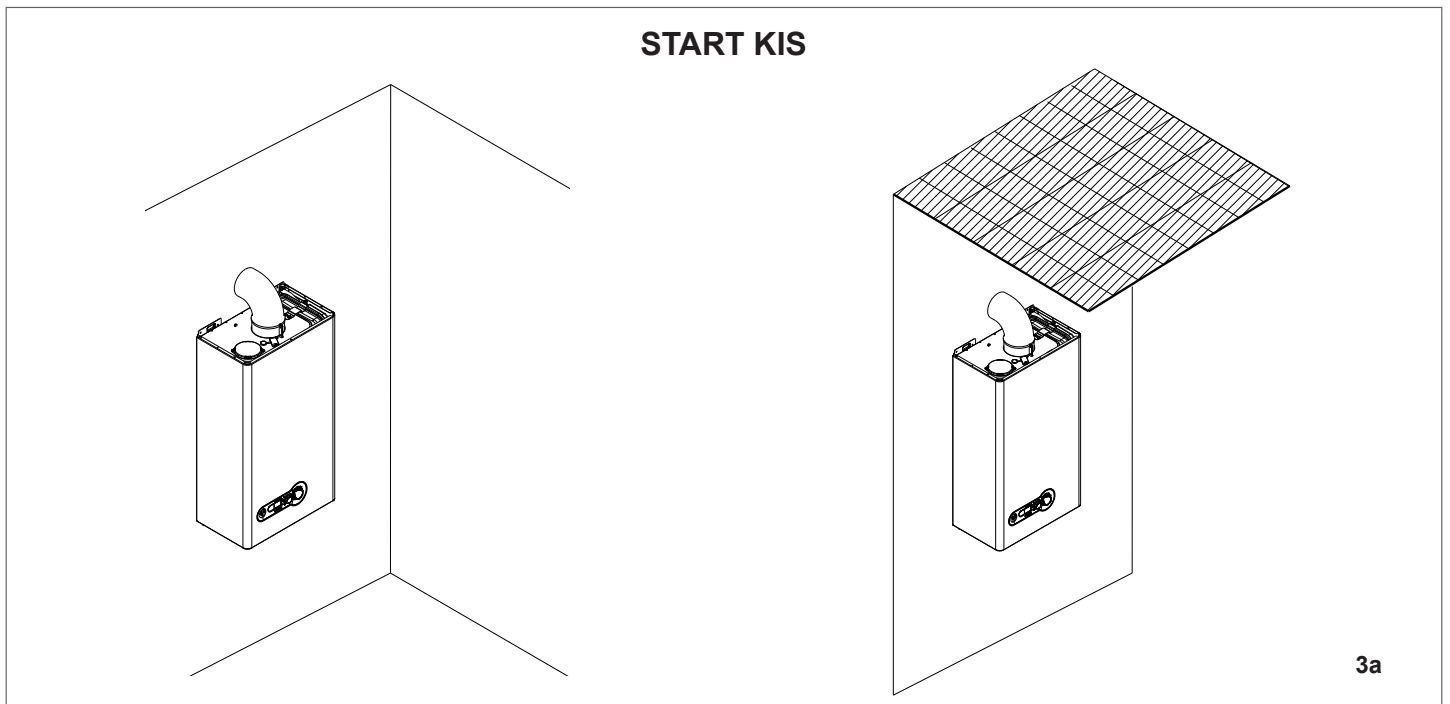
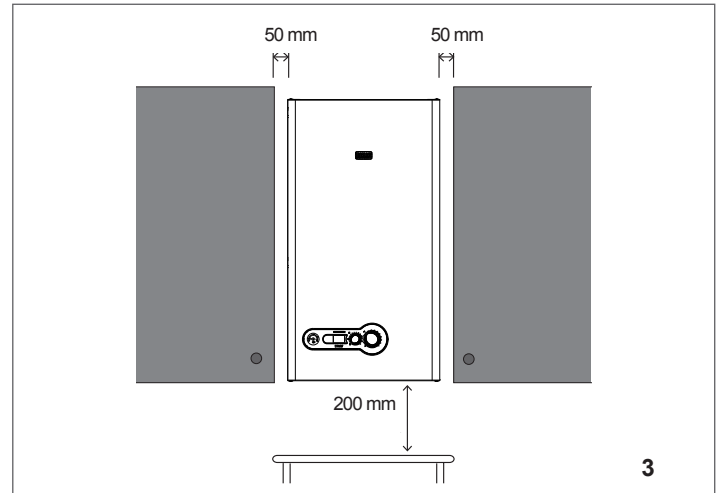
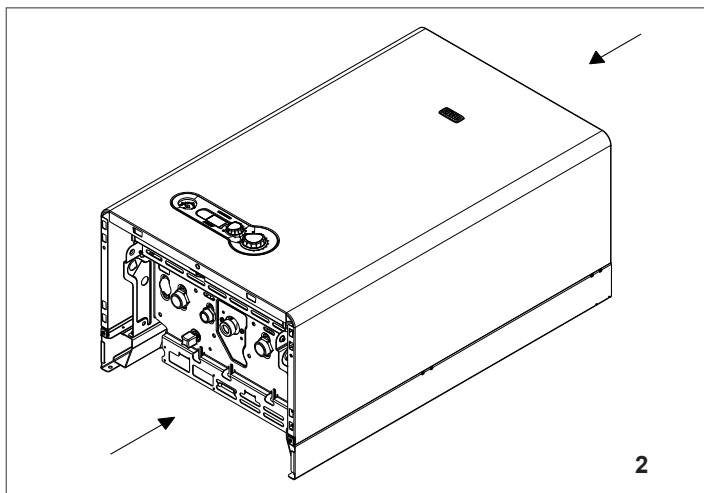
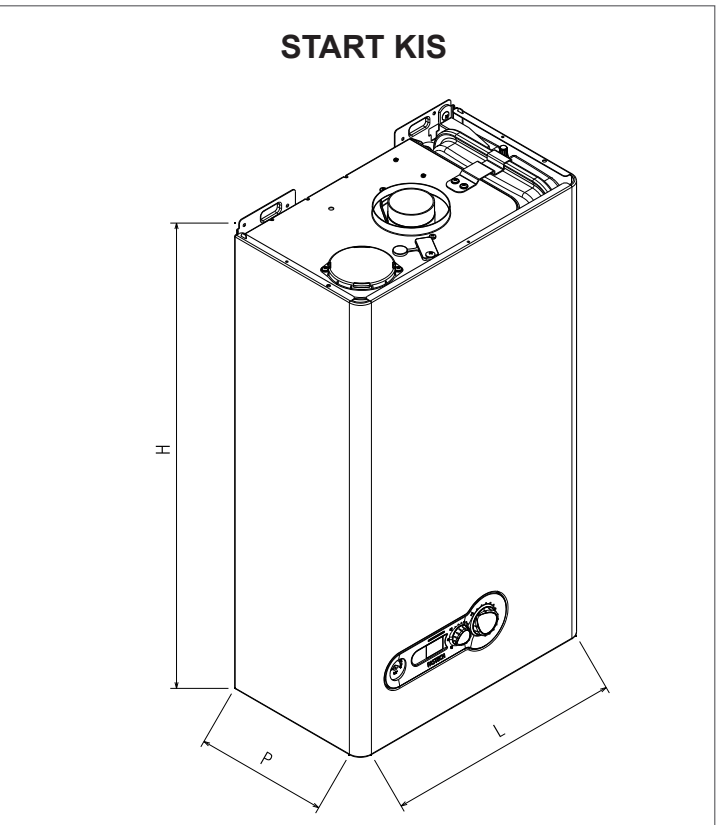
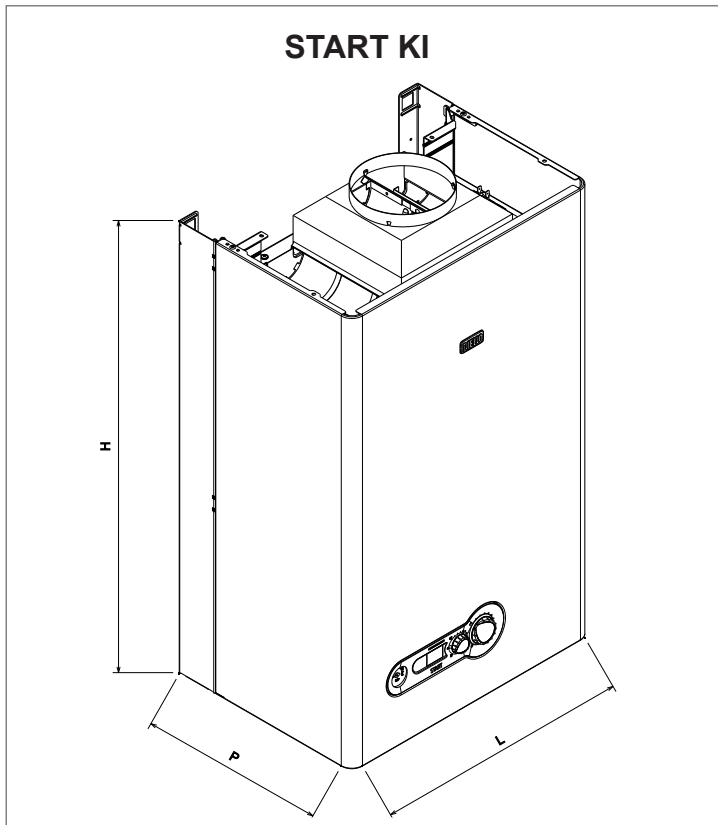
Les chaudières sont équipées d'un circulateur déjà connecté hydrauliquement et électriquement, dont les performances utiles disponibles sont indiquées dans le graphique. Les chaudières sont munies d'un système d'antiverrouillage qui démarre un cycle de fonctionnement toutes les 24 heures d'arrêt, quelle que soit la position du sélecteur de fonction.

- La fonction antiverrouillage n'est active que si les chaudières sont alimentées électriquement.
- Il est strictement interdit de faire fonctionner le circulateur sans eau.

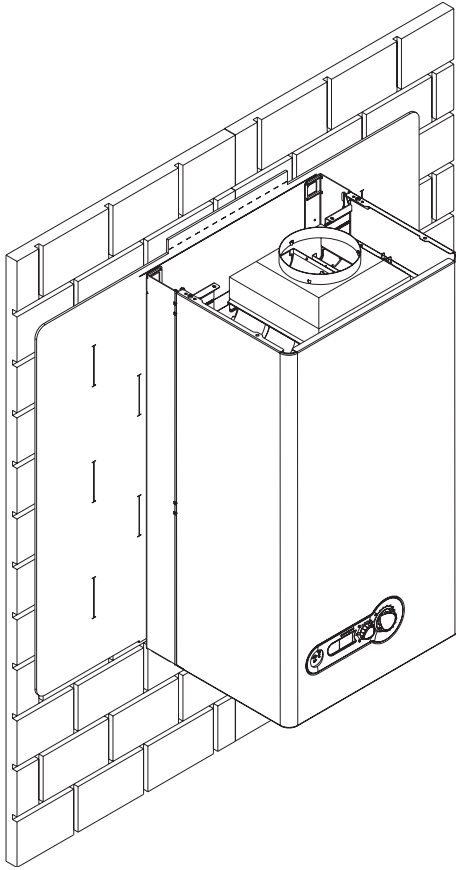
**[UK] Висота нагнітання циркуляційного насоса**  
**A** - Висота нагнітання (мбар)  
**B** - Потужність насоса (л/год)

Котли обладнані циркуляційним насосом, який вже підключений гідравлічно і електрично; його доступна продуктивність наведена на графіку. Циркуляційний насос налаштований з заводу на 6-метрову висоту нагнітання. Котел обладнаний системою антиблокування, яка запускає цикл роботи через кожні 24 години у режимі очікування з перемикачем режимів у будь-якому положенні.

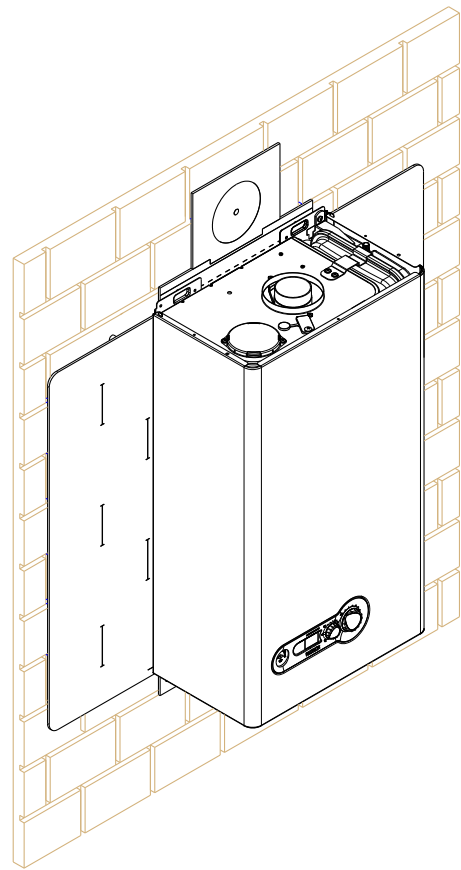
- Функція «антиблокування» активна, лише якщо котел підключений до електричного живлення.
- Робота циркуляційної системи без води суворо заборонена.



**START KI**

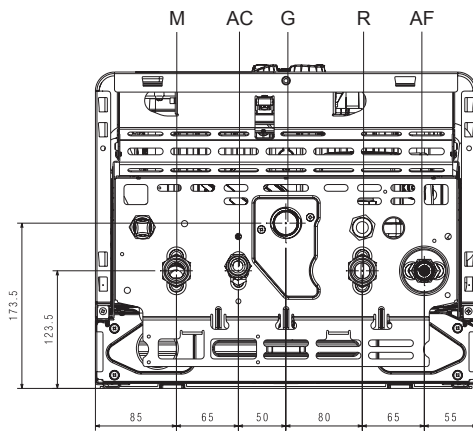


**START KIS**

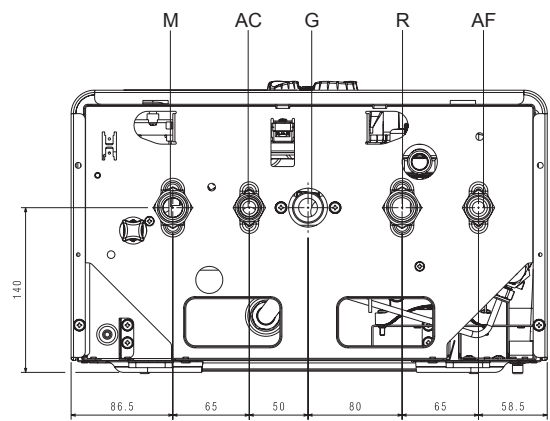


4

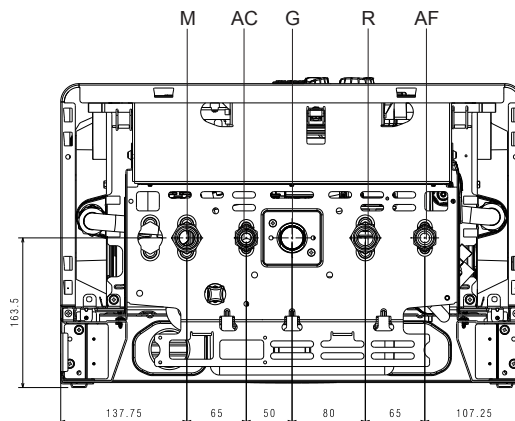
**START 28 KI - 28 KIS**



**START 24 KIS**

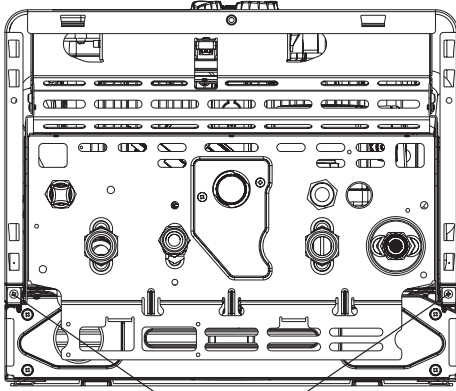


**START 35 KIS**



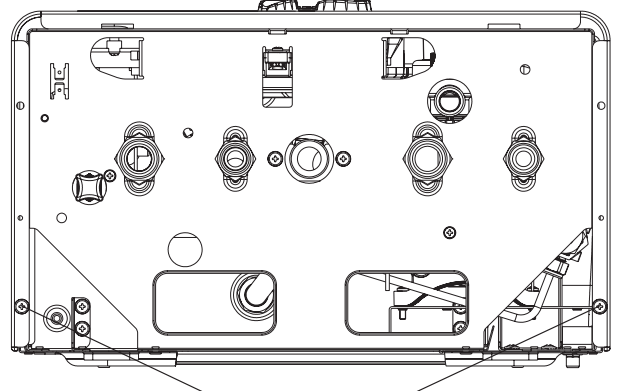
5

**START 28 KI - 28 KIS**



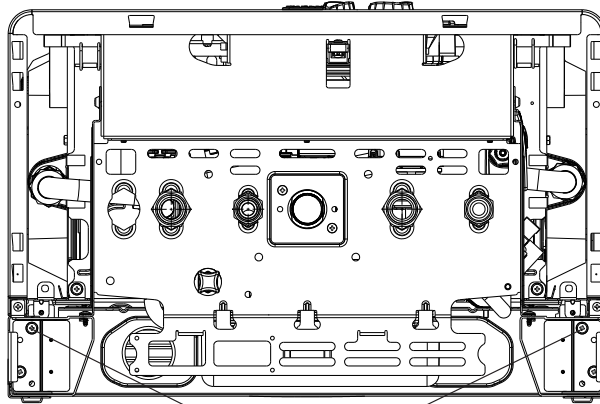
A

**START 24 KIS**



A

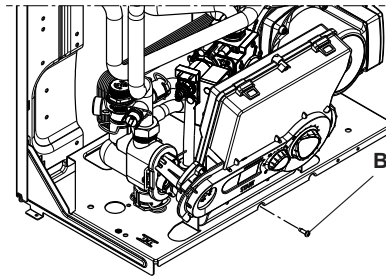
**START 35 KIS**



A

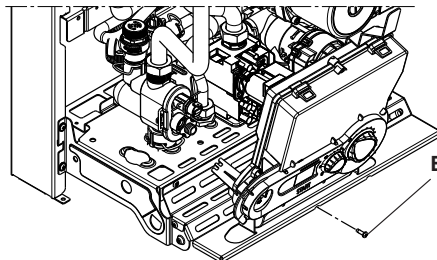
6

**START 24 KIS**



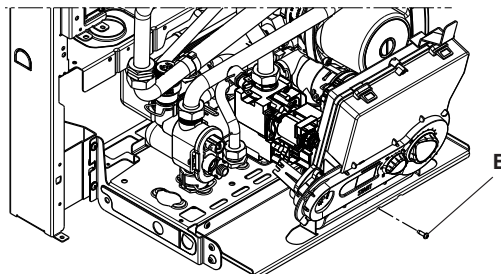
B

**START 28 KI - 28 KIS**



B

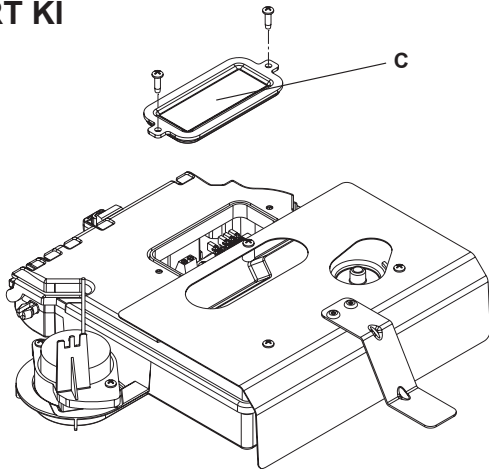
**START 35 KIS**



B

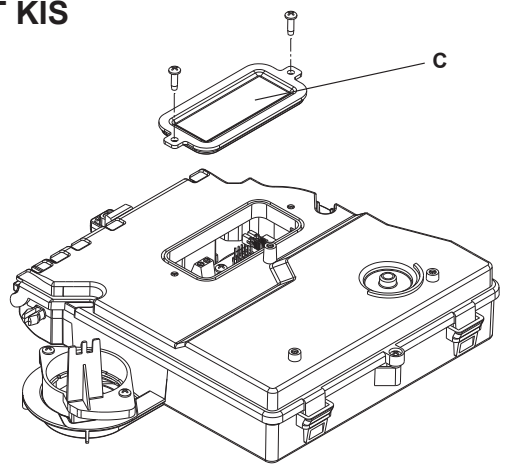
7

**START KI**

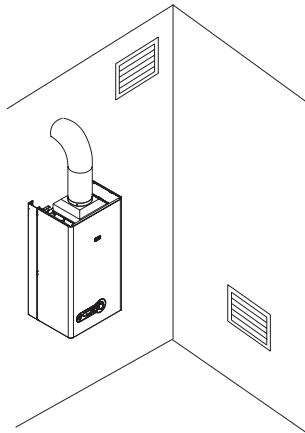


8

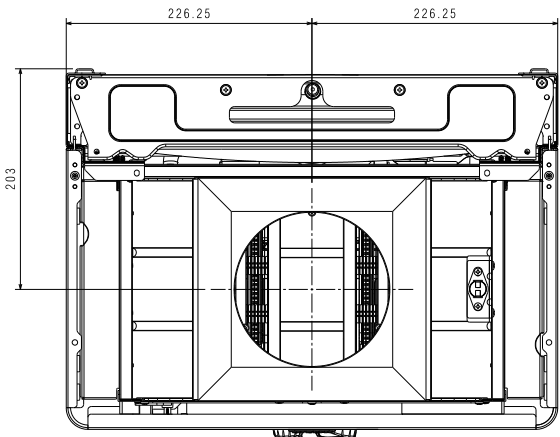
**START KIS**



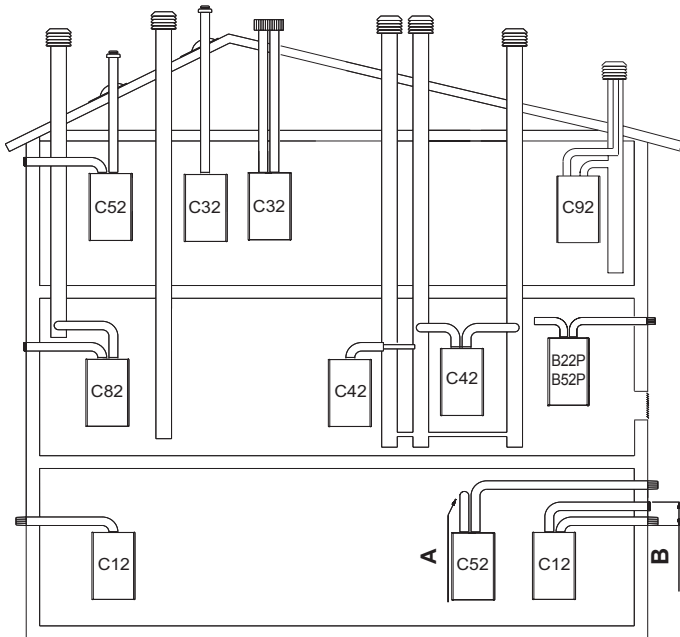
**START KI**



9



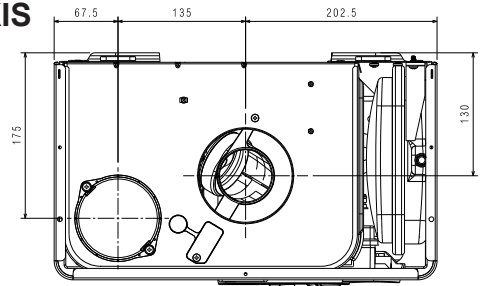
**START KIS**



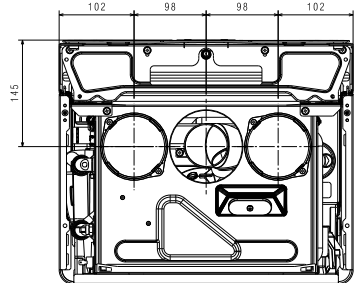
A = rear outlet / sortie arrière / задній вивід  
 B = max 50 cm / max 50 cm / макс. 50 см

10a

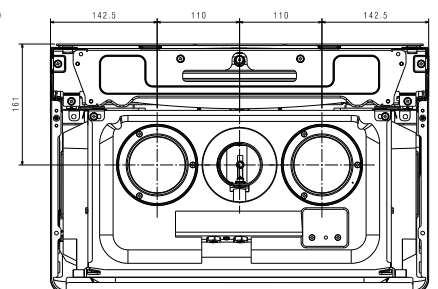
**START 24 KIS**



**START 28 KIS**

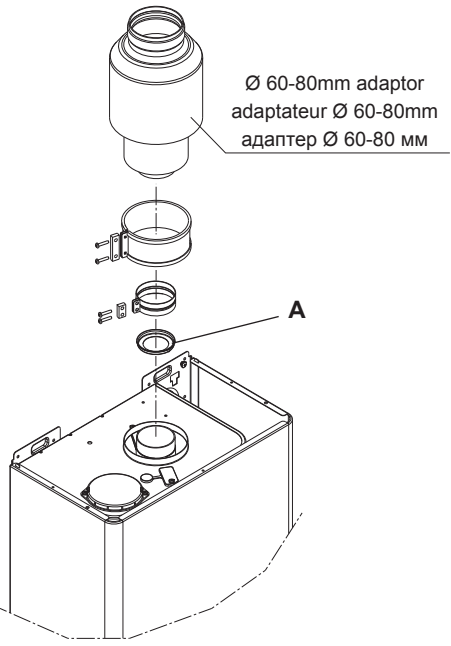


**START 35 KIS**

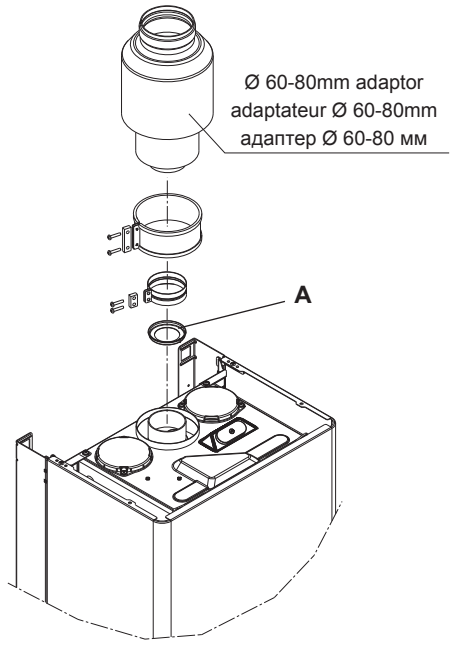


10b

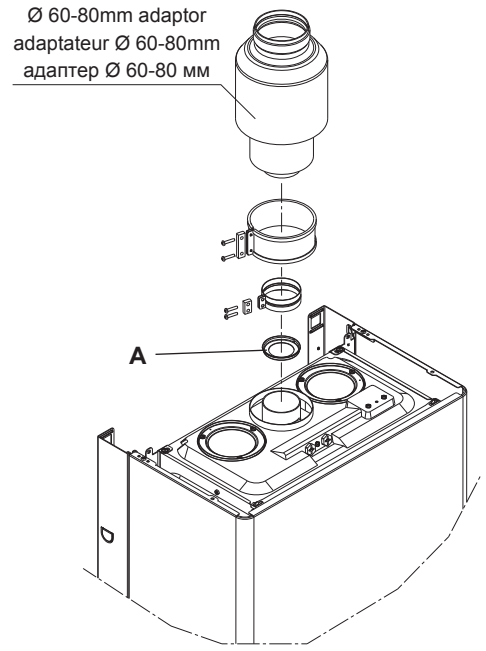
**START 24 KIS**



**START 28 KIS**



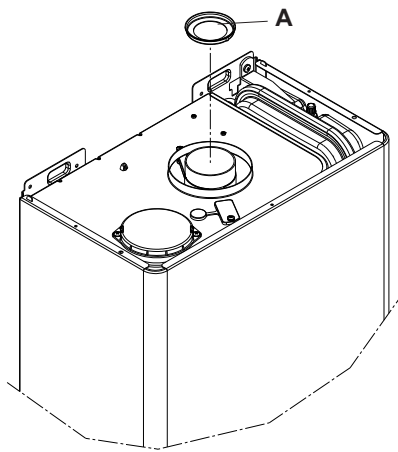
**START 35 KIS**



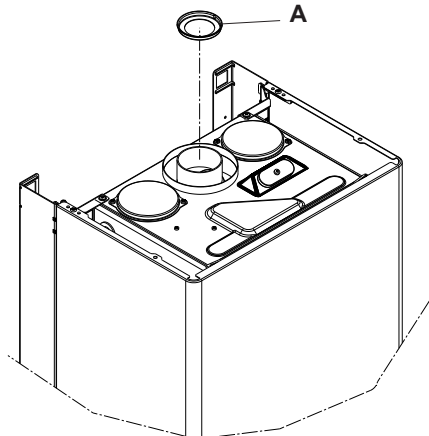
10c

**CONCENTRIC OUTLETS (Ø 60-100)  
CONDUITS CONCENTRIQUES (Ø 60-100)  
КОНЦЕНТРИЧНІ ВИХОДИ Ø 60-80 мм**

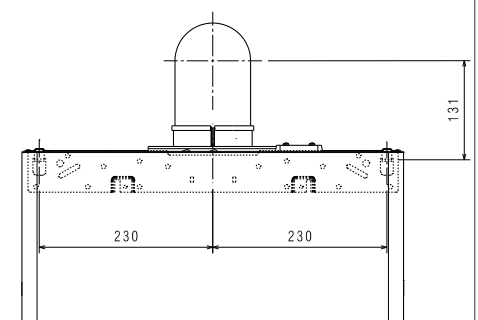
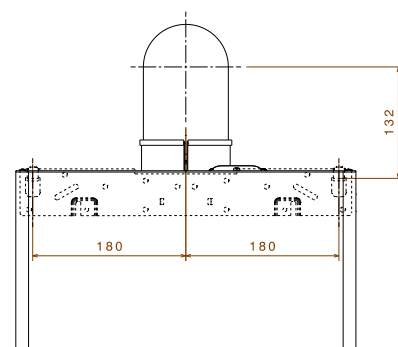
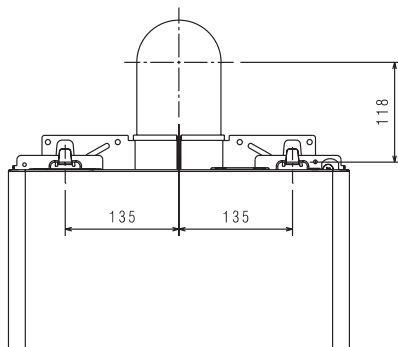
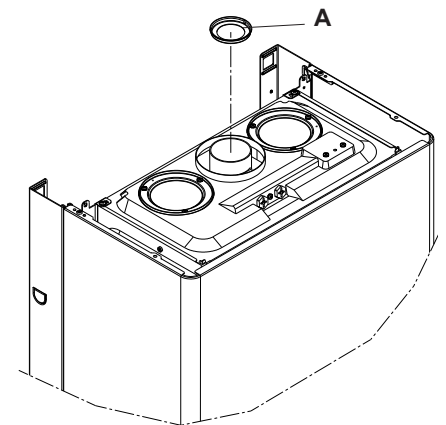
**START 24 KIS**



**START 28 KIS**



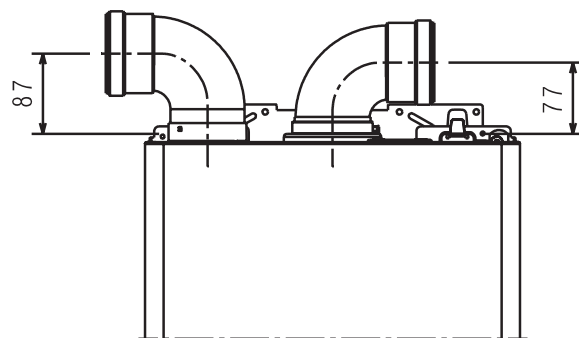
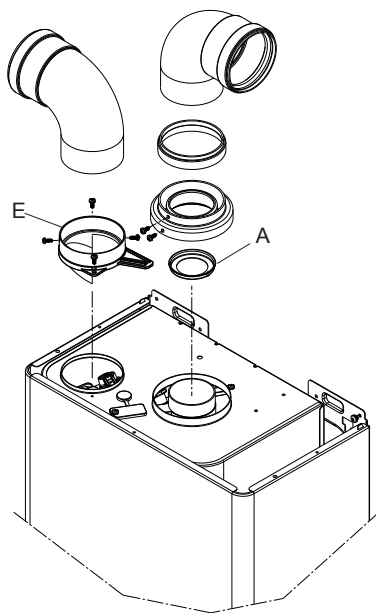
**START 35 KIS**



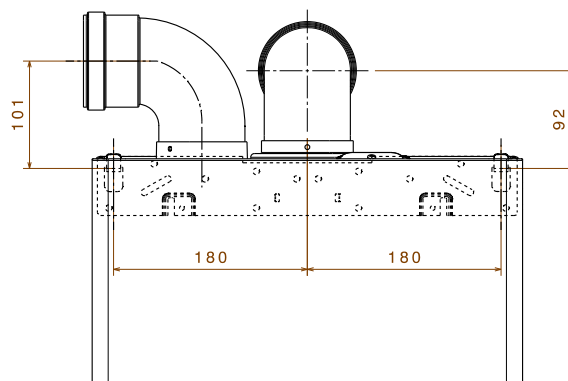
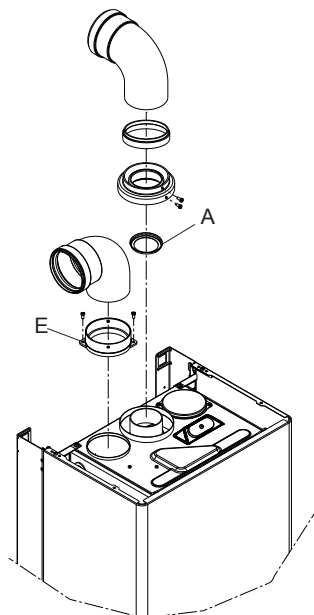
10d

TWIN OUTLETS (Ø 80)  
 CONDUITS DÉDOUBLÉES (Ø 80)  
 ПОДВІЙНІ ВИХОДИ (Ø 80)

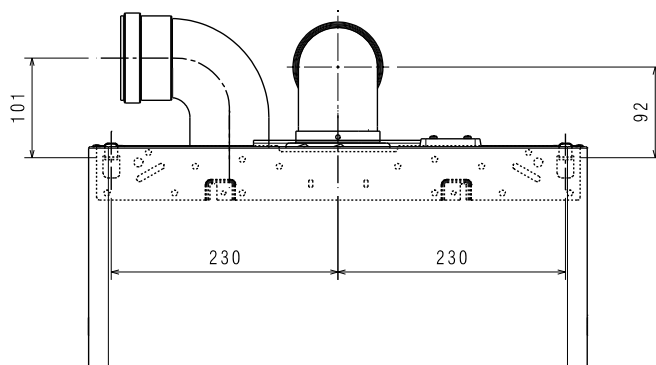
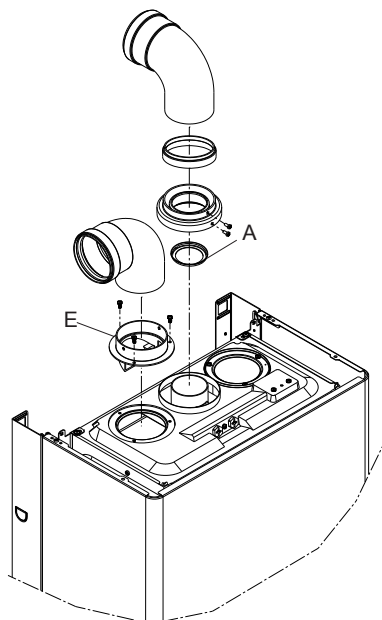
START 24 KIS



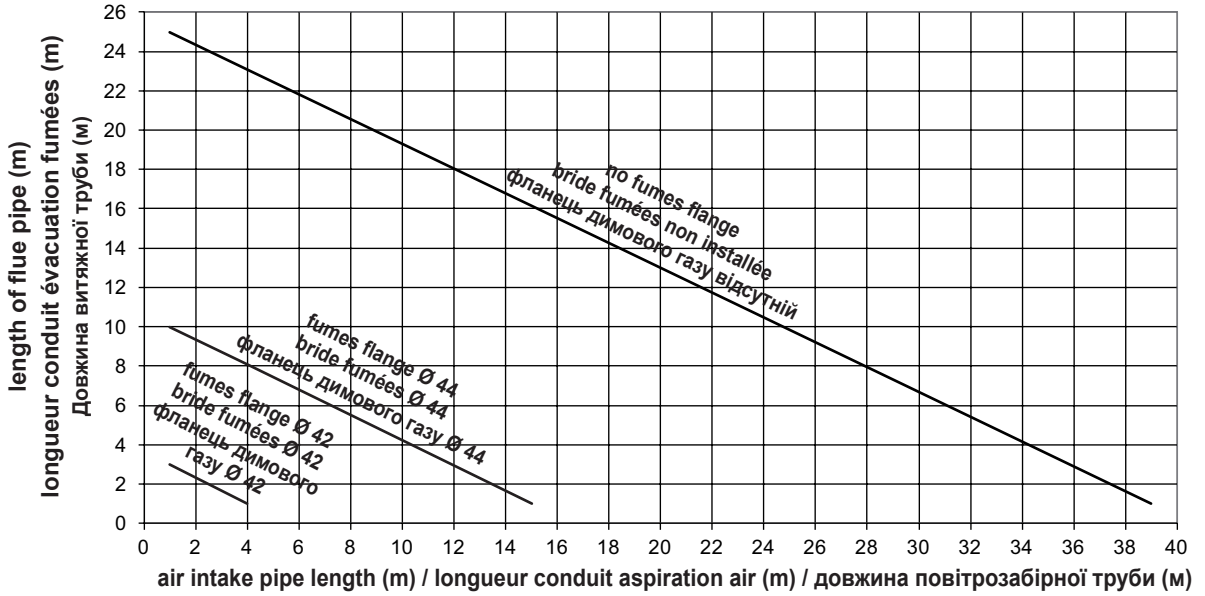
START 28 KIS



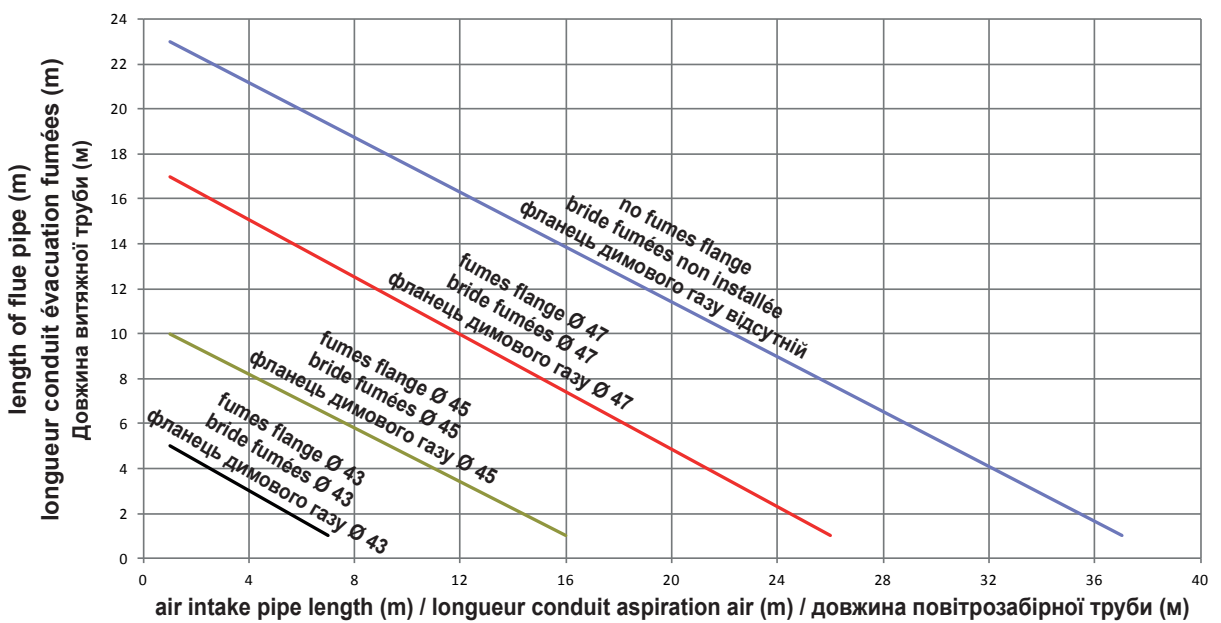
START 35 KIS



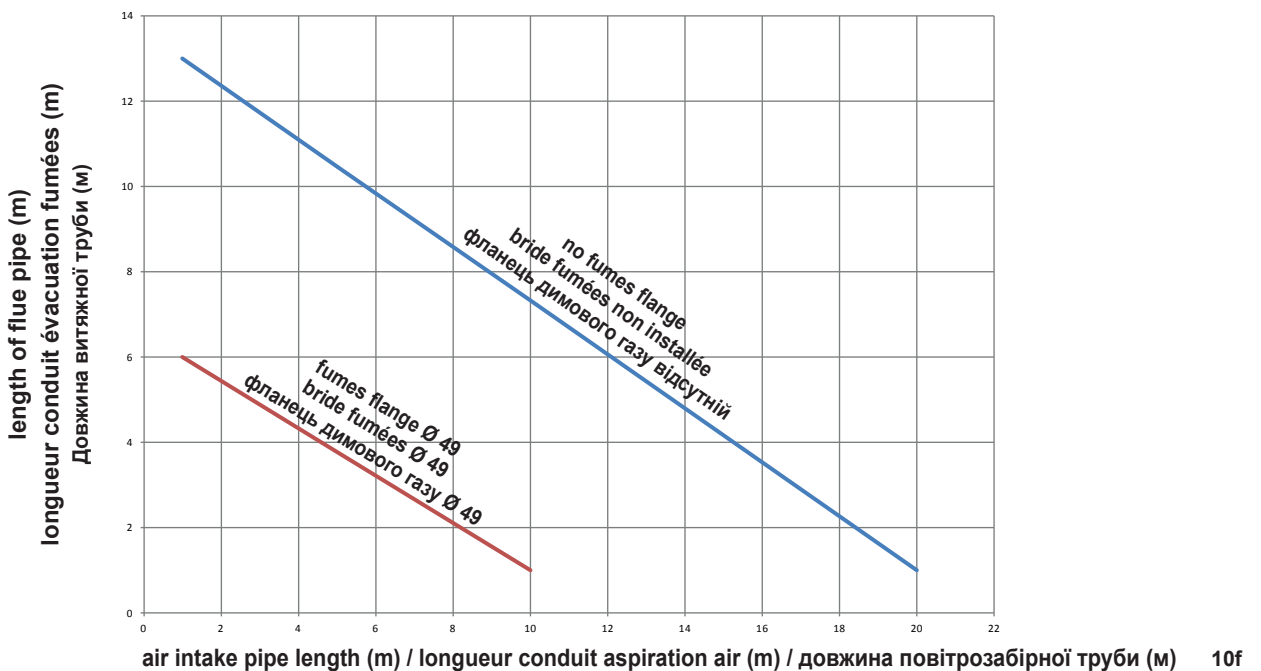
**START  
24 KIS**



**START  
28 KIS**



**START  
35 KIS**



10g

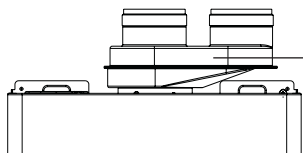
**START 24 KIS**

To direct the outlets in the most suitable installation way (right air input) there is an air/flue gas splitter kit available.

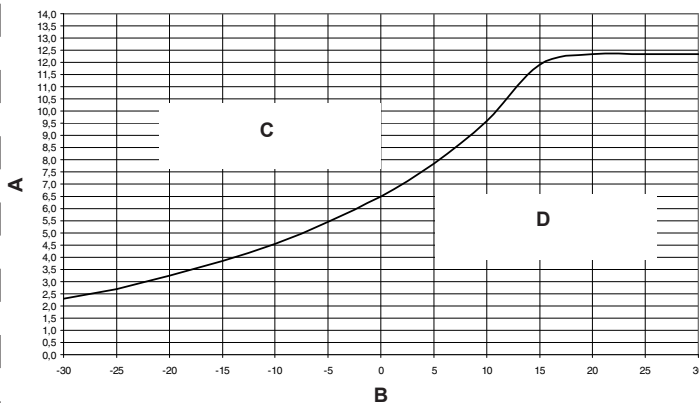
Le kit dédoubleur air/fumées est disponible pour orienter les évacuations de la manière la plus adaptée à l'installation (entrée d'air à droite).

Для того, щоб направляти виходи найбільш зручним способом (правильна подача повітря), доступний комплект розподільник повітря/димових газів.

air/flue gas splitter  
 dédoubleur air/fumées  
 розподільник повітря/  
 димових газів

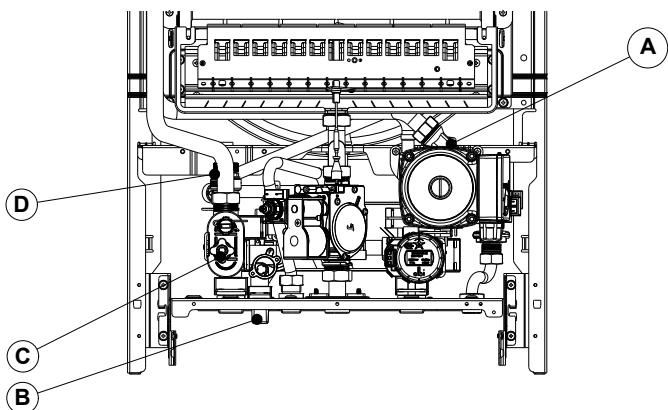


10h

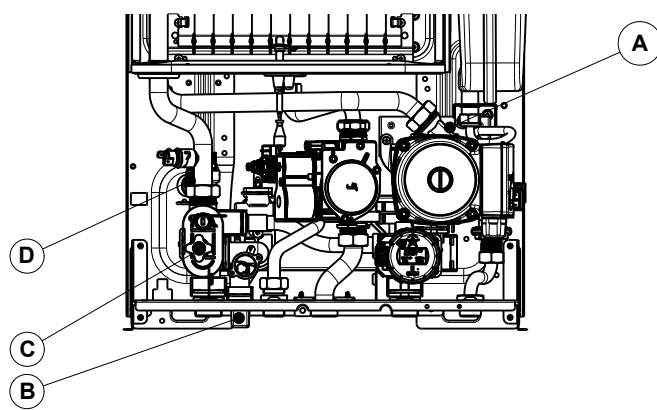


- A = length of flue pipe (m) / longueur conduit évacuation fumées (m) / довжина труби димоходу (м)
- B = outside temperature (°C) / température extérieure (°C) / зовнішня температура (°C)
- C = condensate basin compulsory / bac de condensats obligatoire / резервуар збору конденсату обов'язковий
- D = condensate basin not compulsory / bac de condensats non obligatoire / резервуар збору конденсату необов'язковий

**START 28 KI**

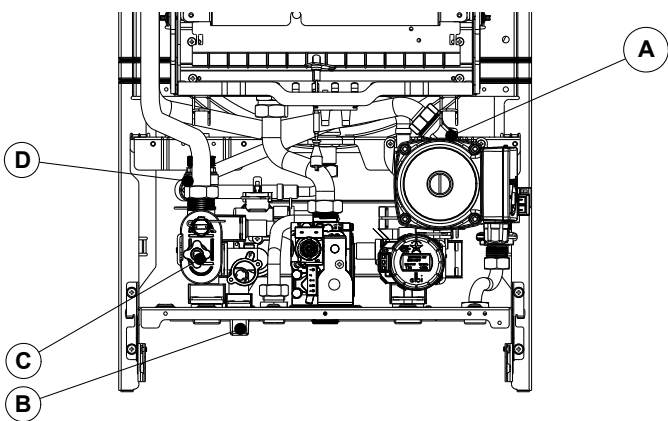


**START 24 KIS**

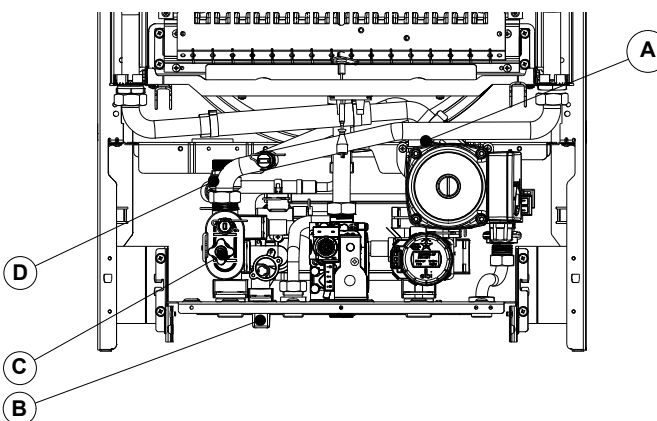


11

**START 28 KIS**



**START 35 KIS**



**RIELLO**