



Kit for long combustion head

CODE	MODEL
3010264	RLS 28
3010265	RLS 38
3010266	RLS 50

1 General warnings

1.1 Guarantee and responsibility

The rights to the guarantee and the responsibility will no longer be valid in the event of damage to things or injury to people, if such damage/injury was due to any of the following causes:

- intervention of unqualified personnel;
- carrying out of unauthorised modifications on the equipment;
- powering of the burner with unsuitable fuels;
- faults in the fuel supply system;
- repairs and/or overhauls incorrectly carried out;
- use of non-original components, including spare parts, kits, accessories and optional;
- force majeure.

The manufacturer furthermore declines any and every responsibility for the failure to observe the contents of this manual.

- Personnel must always use the personal protective equipment envisaged by legislation and follow the indications given in this manual.
- Personnel must observe all the danger and caution indications shown on the machine.
- Personnel must not carry out, on their own initiative, operations or interventions that are not within their province.
- Personnel must inform their superiors of every problem or dangerous situation that may arise.

1.2 Installation safety notes



It is obligatory to carry out all installation, maintenance and disassembly operations with the electricity supply disconnected.



Isolate the fuel supply.



The installation must be carried out by qualified personnel, as indicated in this manual and in compliance with the standards and legal requisites in force.



After removing all the packaging, check the integrity of the contents. If in doubt, do not use the kit; contact the supplier.

2 Technical description

This manual provides instructions for preparing the burner to operate with the kit.

2.1 Equipment

Screw M4X6	No. 1	End cone	No. 1
Screw M4X40	No. 1	Square	No. 1
External tube	No. 1	U bolt	No. 1
Internal tube	No. 1	Short shaft	No. 1
TL tube	No. 1	High voltage lead L=145mm	No. 2
Insulator	No. 2	Support	No. 1
Electrode	No. 2	Technical instructions	No. 1

2.2 Replacement of components

Before carrying out any maintenance, cleaning or checking operations:



Disconnect the electricity supply from the burner by means of the main switch of the system.



Wait for the components in contact with heat sources to cool down completely.

Replace the components installed in the burner with the components available in the kit as shown in Fig. 1, page 2.



After carrying out maintenance, cleaning or checking operations, reassemble the cover and all the safety and protection devices of the burner.

3 Spare parts list

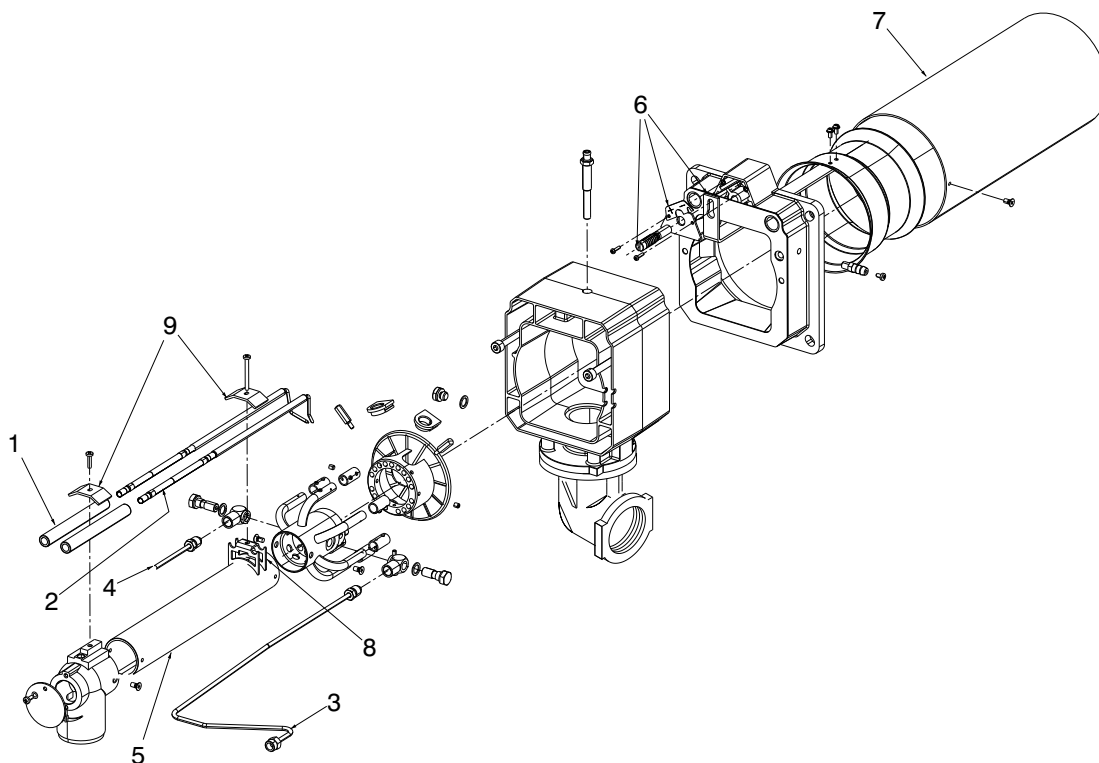


Fig. 1

N.	CODE				DESCRIPTION	BURNER SERIAL NUMBER	*
		3010264	3010265	3010266			
1	3013275	•	•	•	ELECTRODE	≤ 0250OA00075	A
1	20162361	•	•	•	ELECTRODE	≥ 0250OA00076	A
2	3013276	•	•	•	ELECTRODE	≤ 0250OA00075	A
2	20162357	•	•	•	ELECTRODE	≥ 0250OA00076	A
3	3012309	•	•	•	TUBE		C
4	3012307	•	•	•	TUBE		C
5	3012305	•	•	•	TUBE		C
6	3003800	•	•		CONTROL DEVICE		C
6	3003804		•		CONTROL DEVICE		C
7	3013915	•			END CONE		B
7	3012315		•		END CONE		B
7	3003812		•		END CONE		B
8	20103276	•	•	•	SUPPORT	≥ 0250OA00076	A
9	20073810	•	•	•	U BOLT	≥ 0250OA00076	

ADVISED PARTS

A = Spare parts for minimum fittings

A+B = spare parts for basic safety fittings

A+B+C = Spare parts for extended safety fittings

