

GB Single stage operation oil burners

F Brûleurs à huile à une allure



WARNING

RETROFIT APPLICATIONS ONLY

If this burner is being installed in a packaged unit (ie. burner comes with a boiler or furnace), follow the installation and set-up instructions supplied with the heating unit, as settings may differ from those shown in this manual.

- *The following pages contain information, descriptions and diagrams for the proper installation and wiring of the burner. Please read carefully before attempting final installation.*
- *This manual is to remain with the final installation designation. It is the installer's responsibility to ensure that the burner installation and operation instructions mentioned in this manual are followed and operated within local code authority limits.*



ATTENTION

POUR APPLICATIONS DE MISE À NIVEAU UNIQUEMENT

Si ce brûleur doit être installé avec un autre appareil avec lequel il est livré (comme une chaudière ou un four), il faudra suivre la notice livrée avec l'unité chauffante dans la mesure où les instructions peuvent différer de celles reportées dans ce manuel.

- *Les pages qui suivent contiennent toutes les informations, descriptions et schémas permettant une installation et un branchement approprié du brûleur. Veuillez lire attentivement ce manuel avant de procéder à l'installation de l'appareil.*
- *Ce manuel doit être conservé par l'utilisateur de l'appareil. L'installateur doit veiller à ce que les instructions pour l'installation et le fonctionnement du brûleur reportées dans ce manuel soient respectées et appliquées selon la loi du pays d'installation de l'appareil.*

CODE	MODEL - MODÈLE	TYPE
3726121	F3 WITH MANUAL AIR SHUTTER - AVEC OBTURATEUR D'AIR MANUEL F3 WITH HYDRAULIC JACK (OPTION) - AVEC VÉRIN HYDRAULIQUE (OPTION)	271T
3726221	F5 WITH MANUAL AIR SHUTTER - AVEC OBTURATEUR D'AIR MANUEL F5 WITH HYDRAULIC JACK (OPTION) - AVEC VÉRIN HYDRAULIQUE (OPTION)	271T



INSTALLATION PRECAUTIONS

WARNING

AIR FOR COMBUSTION

Do not install burner in room with insufficient air for combustion. Be sure there is an adequate air supply for combustion if the boiler/furnace room is enclosed. It may be necessary to create a window to permit sufficient air to enter the boiler/furnace room. The installer must follow local ordinances in this regard.

CANADA It is suggested that the installer follow CSA standard B139.

USA It is suggested that the installer follow NFPA manual #31.

CHIMNEY

Be sure chimney is sufficient to handle the exhaust gases. It is recommended that only the burner be connected to the chimney. Be sure that it is clean and clear of obstructions.

OIL FILTER

An external oil filter is **REQUIRED**, even though there is an internal strainer in the pump. The filter should be replaced at least once a year, and the filter container should be thoroughly cleaned prior to installing a new filter cartridge.

DRAFT

Follow the instructions furnished with the heating appliance. The pressure in the combustion area should be kept as close to zero as possible. The burner will operate with a slight draft or pressure in the chamber.

ELECTRICAL CONNECTIONS

CANADA All electrical connections should be done in accordance with the C.E.C. Part 1, and all local codes. The system should be grounded.

USA All electrical connections should be done in accordance with the National Electrical Code, and all local ordinances. The system should be grounded.

CONTROL BURNER OPERATION

Check out the burner and explain its operation to the homeowner. Be sure to leave the Owner's Instruction sheet with the homeowner.

FIRE EXTINGUISHER

If required by local codes, install an approved fire extinguisher.

ELECTRICAL CONNECTIONS

In most localities, a number 14 wire should be used inside a metal conduit. The system should be grounded. A service switch should be placed close to the burner on a fireproof wall in an easily accessible location.



WARNING

The burner settings used in this manual were obtained under laboratory conditions and may vary from those obtained in the actual installation of the burner. Combustion results must be verified using proper combustion test equipment. Riello will not be responsible for the improper installation or set-up of the appliance.

TABLE OF CONTENTS

PACKAGE CONTENTS LIST	1
SERIAL NUMBER IDENTIFICATION	1
TECHNICAL DATA	2
Specifications	2
Burner and mounting flange dimensions	2
Burner components identification	2
Burner components	2
INITIAL SET-UP	3
ASSEMBLY OF AIR TUBE TO BURNER CHASSIS	3
MOUNTING BURNER TO BOILER OR FURNACE	3
Method 1-Universal Mounting Flange	3
Method 2-Semi-flange Collar	4
Method 3-Pedestal Mount	4
AMULET INSTALLATION INSTRUCTIONS	5
ELECTRICAL CONNECTIONS	6
APPLICATION FIELD WIRING	7
NOZZLE PLACEMENT	7
INSERTION / REMOVAL OF DRAWER ASSEMBLY	8
ELECTRODE SETTING	8
TURBULATOR SETTING	8
OIL LINE CONNECTIONS	9
Single line (Gravity feed system)	9
Two line (Lift system)	10
PUMP PURGE	10
Single line (Gravity feed system)	10
Two line (Lift system)	11
SETTING THE AIR ADJUSTMENT PLATE	11
BURNER ADJUSTMENT TABLE	12
BURNER START-UP CYCLE	12
EXPLODED SPARE PARTS LIST	13
SPARE PARTS LIST	14
BURNER START-UP REPORT	16

PACKAGE CONTENTS LIST

Your Riello 40 burner should include the following parts. Please check to make sure all parts are present before beginning the installation.

Quantity	Description
1	Burner chassis with cover
1	Universal mounting flange + mounting gasket
1	Parts bag
1	Parts bag
1	Installation manual
1	Separate carton - OEM burners shipped with combustion head mounted
1	Combustion Head

Parts bag

Quantity	Description
1	By-pass plug
1	Female 1/4" NPT adapter
1	Male 3/8" NPT adapter
1	2.5 mm Allen key
1	Oil pump connector (supply)
1	Oil pump connector (return)

Parts bag

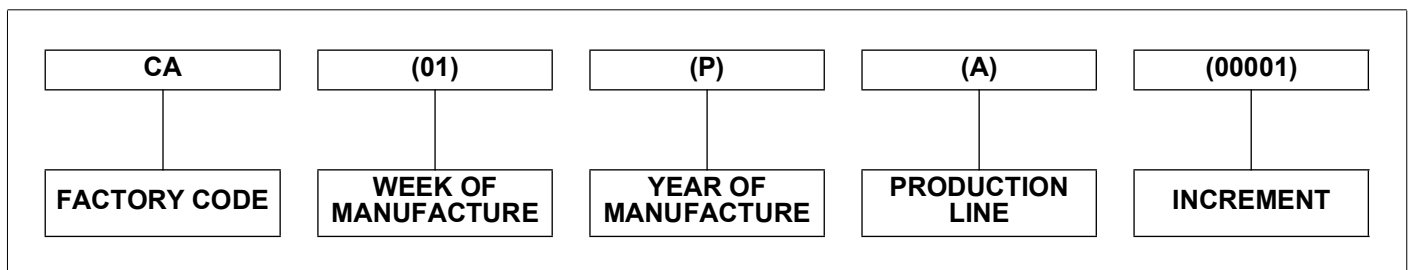
Quantity	Description
2	Semi-flange bolts (long)
2	Semi-flanges
2	Mounting flange bolts (short)
4	Nuts
2	Chrome nuts
2	Cover screws

SERIAL NUMBER IDENTIFICATION

The RIELLO 11 character serial number, example, **CA01PA00001**, is identified as follows:

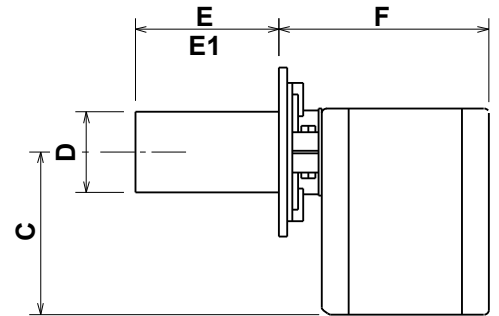
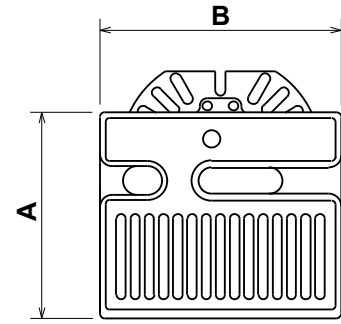
- CA** = FACTORY CODE
- 01** = WEEK OF MANUFACTURE
- P** = YEAR OF MANUFACTURE (CREATED FOLLOWING TRANSCODING TABLE)
- A** = PRODUCTION LINE
- 00001** = INCREMENT OF 1 FOR EACH BURNER PRODUCED

M	2017
N	2018
O	2019
P	2020
Q	2021
R	2022
S	2023
T	2024
U	2025
V	2026
W	2027
X	2028
Y	2029
Z	2030



**TECHNICAL DATA
SPECIFICATIONS**

Fuel	No. 2 Fuel Oil
F3 Firing rate - Effective Output	0.50 to 0.95 US GPH - 70,000 to 133,000 BTU/h
F5 Firing rate - Effective Output	0.75 to 1.65 US GPH - 105,000 to 231,000 BTU/h
Voltage (single phase)	120V 60Hz (+ 10% - 15%)
F3 Absorbed electrical power	175 Watts
F5 Absorbed electrical power	264 Watts
Motor (rated)	3250 rpm Run Current 2.2 AMP
Capacitor	12.5 Microfarads
Pump pressure	130 to 200 psi
Primary control	RIELLO 530 SE/C
Ignition transformer	8kV 16mA



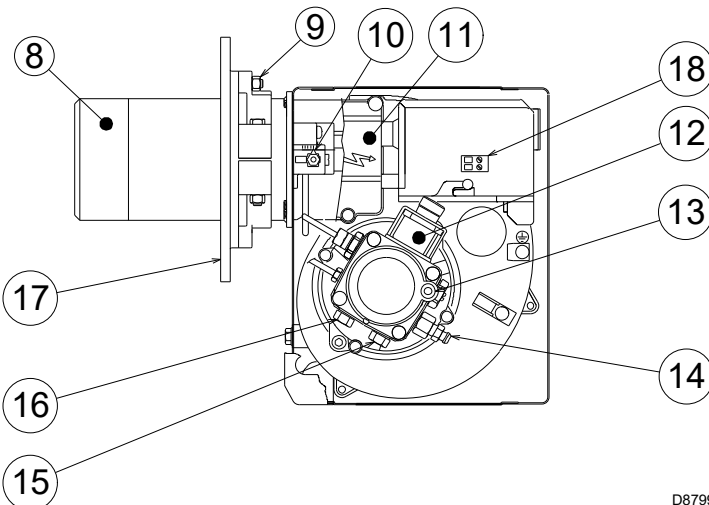
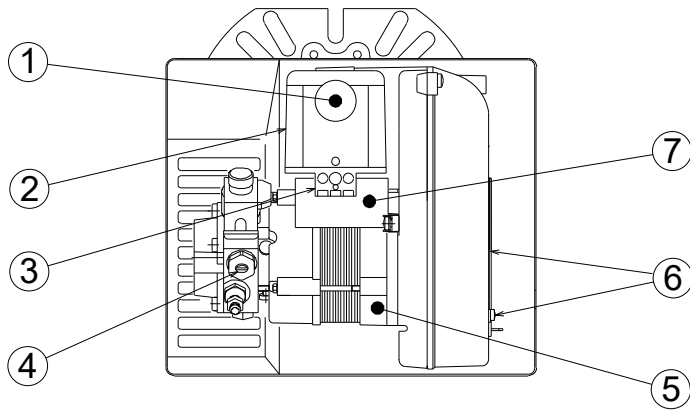
D7352

BURNER AND MOUNTING FLANGE DIMENSIONS

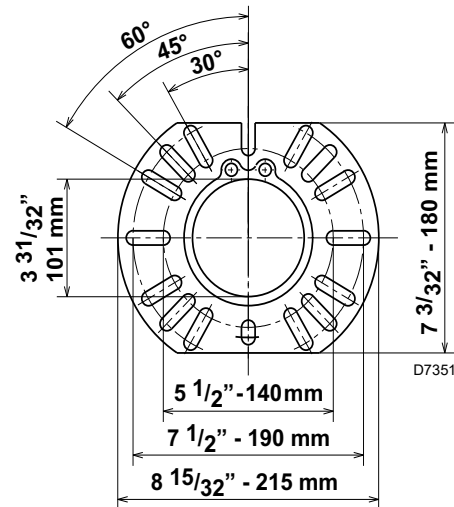
Model		A	B	C	D	E	F
F3	Inches	8 15/32	9 59/64	6 15/32	3 1/2	6	8 29/32
	mm	215	252	164	89	152	226
F5	Inches	9 11/64	10 11/16	7 3/32	3 1/2	6	9 13/32
	mm	233	272	180	89	152	239

E1: 10-inch long (254mm) tubes are also available.

BURNER COMPONENTS IDENTIFICATION



D8799



D7351

BURNER COMPONENTS

- 1 Lockout indicator lamp and reset button
- 2 Primary control
- 3 Primary control sub-base
- 4 Pump pressure regulator
- 5 Motor
- 6 Air adjustment fixing screws
- 7 Capacitor
- 8 Combustion Head
- 9 Semi Flange
- 10 Turbulator adjustment screw
- 11 Air tube cover
- 12 Coil
- 13 Vacuum gauge port
- 14 Pressure gauge and bleeder port
- 15 Return fuel line port
- 16 Supply fuel line port
- 17 Mounting flange with gasket

INITIAL SET-UP

- A) Remove burner and air tube from cartons. Check parts list (inside cover) to ensure all parts are present.
- B) Remove burner cover by loosening the three screws securing it. Remove flame control and air tube cover.
- C) Remove drawer assembly from air tube, insert nozzle and set Turbulator adjustment for specific input required, then set aside.
- D) Mount air tube to burner chassis.

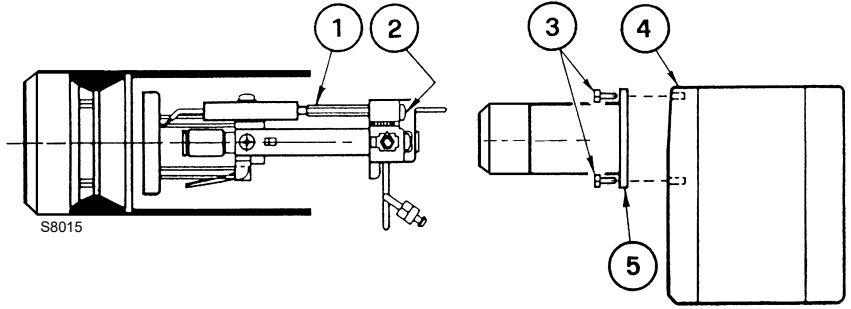
ASSEMBLY OF AIR TUBE TO BURNER CHASSIS

The air tube and drawer assembly are shipped in a carton separate from the burner chassis. Choose the proper air tube length to obtain the tube insertion for the specific installation.

- A) Remove the AIR TUBE and BURNER CHASSIS from their respective cartons.
- B) Remove the DRAWER ASSEMBLY (1) from inside the AIR TUBE by loosening the screw (2).

Carefully pull the DRAWER ASSEMBLY out of the AIR TUBE, install the required nozzle (see page 8) and set aside.

- C) Remove the two BOLTS (3) from FRONT PLATE (4) of the BURNER CHASSIS. Align the two holes on the AIR TUBE HOLDING PATE (5) with the two holes on the BURNER CHASSIS FRONT PLATE with the BOLTS (3) removed. Replace the BOLTS and fingers tighten only. Re-install DRAWER ASSEMBLY into AIR TUBE. Tighten SCREW (2) securely.
- D) Tighten the two bolts (3) securely.

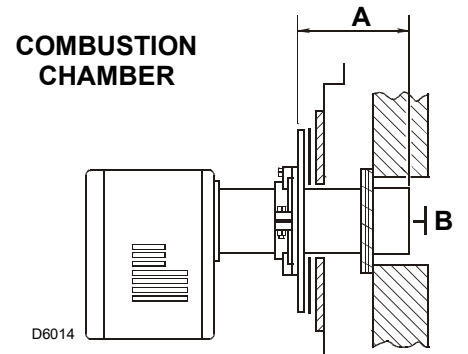
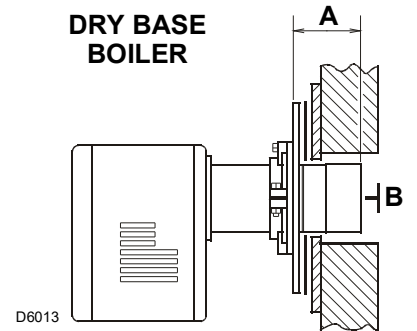
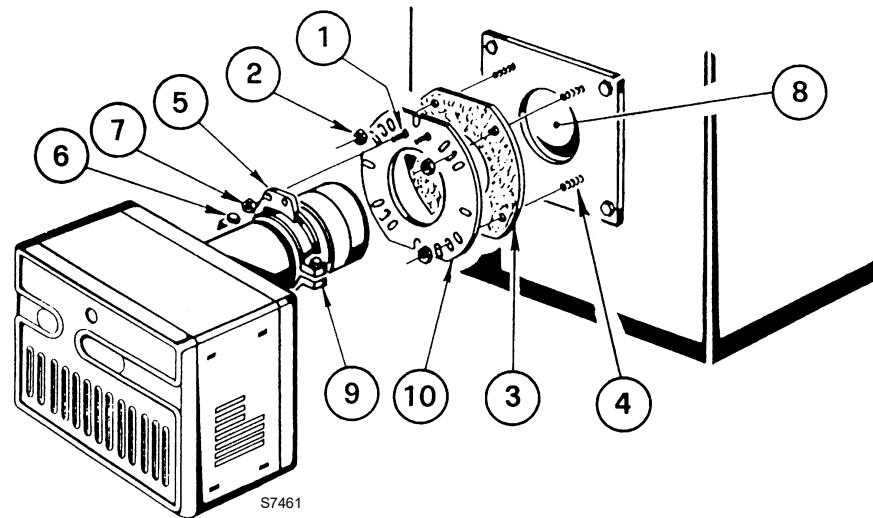


MOUNTING THE BURNER TO THE BOILER OR FURNACE

There are three possible methods to mount the burner, depending on the individual application. These are:

- 1) Universal flange bolted to Boiler/Furnace unit.
- 2) Semi-flange collar bolted to Boiler/Furnace unit.
- 3) Universal flange mounted to optional Pedestal mount, where flange mounting direct to appliance is not possible. Pedestal kit must be ordered separately.

METHOD 1 – UNIVERSAL MOUNTING FLANGE



- A) Insert the two BOLTS (1) into the UNIVERSAL MOUNTING FLANGE (10) from the flat side, ensuring the bolt heads are flush with the flat surface. Secure in place using two special CHROME NUTS (2) provided.
- B) Position the MOUNTING GASKET (3) between the flat surface of the UNIVERSAL MOUNTING FLANGE (10) and the appliance. Line up the holes in the UNIVERSAL MOUNTING FLANGE with the STUDS (4) on the appliance mounting plate and securely bolt the UNIVERSAL MOUNTING FLANGE to the plate.
- C) Secure the two semi-flanges of the ADJUSTABLE COLLAR (9) to the AIR TUBE using the two long BOLTS (6). Be sure that the ADJUSTABLE COLLAR (9) is properly positioned so the outside edge of the END CONE will be at least 1/4" inch (6.5 mm) back from the inside wall of the refractory of the combustion chamber (see dimension B above). The measured length (A) is to include MOUNTING GASKET and FLANGE, if used.
- D) The burner may now be attached to the heating unit by insetting the AIR TUBE through the BURNER ACCESS HOLE (8) and into the appliance, making sure the BOLTS (1) line up with the two HOLES (5) in the ADJUSTABLE COLLAR (9). Secure the burner in place using two NUTS (7).

A visual verification of the air tube insertion into the combustion chamber of the heating unit is suggested. Dimension B should be at least 1/4" (see drawing).

NOTE:

A suggested method for creating mounting bolt holes in the mounting gasket: Hold the gasket against the appliance mounting bolts using the mounting flange for proper positioning. Lightly tap the flange with a hammer to form the holes.

METHOD 2 – SEMI-FLANGE COLLAR

- A) Follow item C from METHOD 1.
- B) Align the air tube and attached adjustable collar so air tube is centered in the burner access hole of the boiler/furnace unit. Mark the center of the two holes in the ADJUSTABLE COLLAR on to the front plate of the heating unit. Then drill 1/4" inch (6.5 mm) holes through the front plate of the unit, using marks as a guide.
- C) Install two short BOLTS (1) through the front plate of the heating unit from the inside, and secure on the outside using the two special CHROME NUTS (2).
- D) Follow item D from METHOD 1.

METHOD 3 – PEDESTAL MOUNT

Secure the MOUNTING FLANGE to MOUNTING PEDESTAL using the hardware provided with the pedestal. Secure burner to MOUNTING FLANGE as in METHOD 1, item A, C and D.

NOTE:

It is suggested that the pedestal be anchored in position on the floor by installing brackets over the pedestal tube and securing brackets to the floor.



WHEN THE COMBUSTION CHAMBER IS LINED WITH A REFRACTORY MATERIAL, IT IS IMPERATIVE THAT THE END CONE NOT PROTRUDE INTO THE CHAMBER AREA, AS EXCESSIVE HEAT AT BURNER SHUT DOWN WILL DAMAGE THE END CONE.

AMULET INSTALLATION INSTRUCTIONS

(Required on some models)

The amulets provided have been selected by Riello to protect the combustion tube from hot exhaust gases and flame. This protection may be needed in applications where the combustion tube opening in the combustion chamber refractory is larger than the tube outside diameter.

The amulet has been sized to fit Riello Model 40 sizes F3 and F5 plus the Riello Model R35.

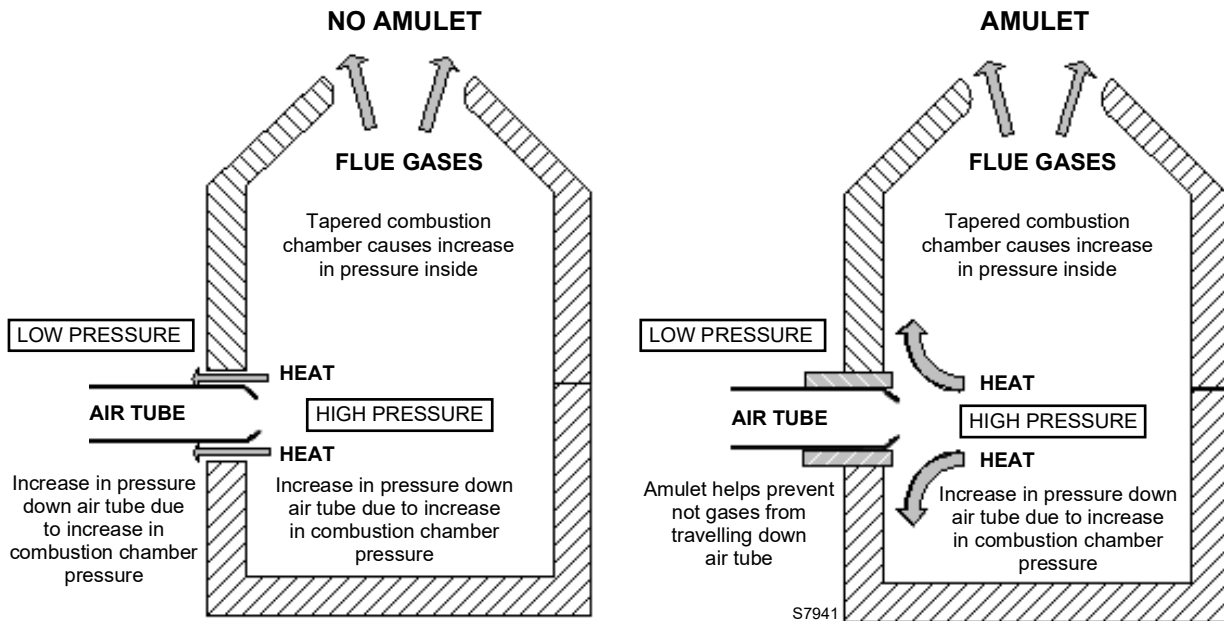
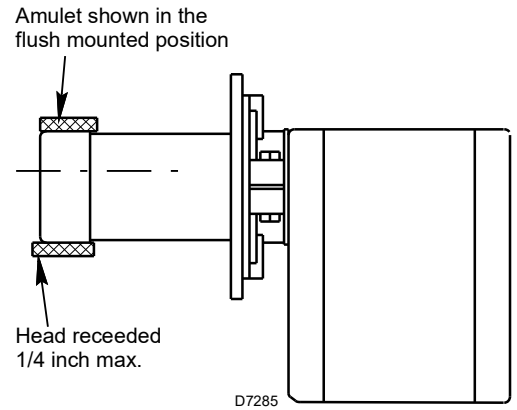
When installing this amulet, handle it carefully.

Do not exert undue pressure when pushing the amulet over the combustion tube.

Excessive force can result in a broken amulet!

If the amulet will not fit easily onto the tube, remove a small amount of the inner diameter with a sharp knife to provide the necessary clearance.

The diagram below shows the proper position of the amulet after installation.




ELECTRICAL CONNECTIONS

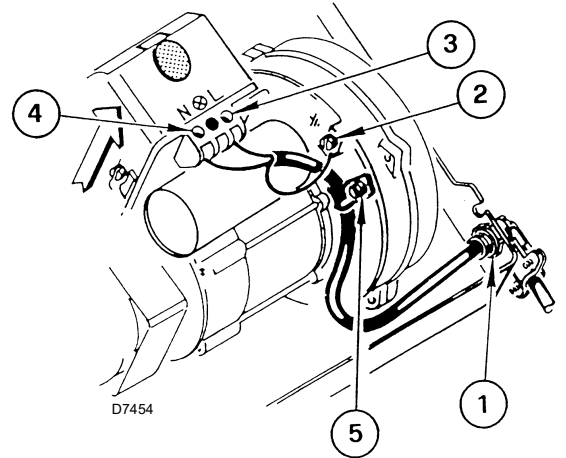
It is advisable to leave the flame control off the sub-base while completing the electrical connection to the burner.

- 1) Wire access hole (Use BX electrical connector)
- 2) Earth ground conductor terminal (Green wire)
- 3) Hot conductor terminal (Black wire)
- 4) Neutral conductor terminal (White wire)
- 5) Strain relief clamp

WARNING:

The hot (black) wire must be connected to the L terminal and the neutral (white) wire must be connected to the N terminal or the primary safety control will be damaged.

Do not connect wither wire to the terminal marked .



Using the appropriate diagram below, make electrical connections to burner. All wiring must be done in accordance with existing electrical codes, both national and local. When all electrical connections have been made, the flame control may be put back in place on the sub-base.

WARNING: DO NOT activate burner until proper oil line connections have been made, or failure of the pump shaft seal may occur.

REMOTE SENSING OF SAFETY LOCKOUT

The SAFETY SWITCH in the 530 SE/C FLAME CONTROL is equipped with a contact allowing remote sensing of burner lockout. The electrical connection is made at terminal 4 (●) on the SUB-BASE. Should lockout occur the 530 SE/C FLAME CONTROL will supply a power source of 120Vac to the connection terminal.

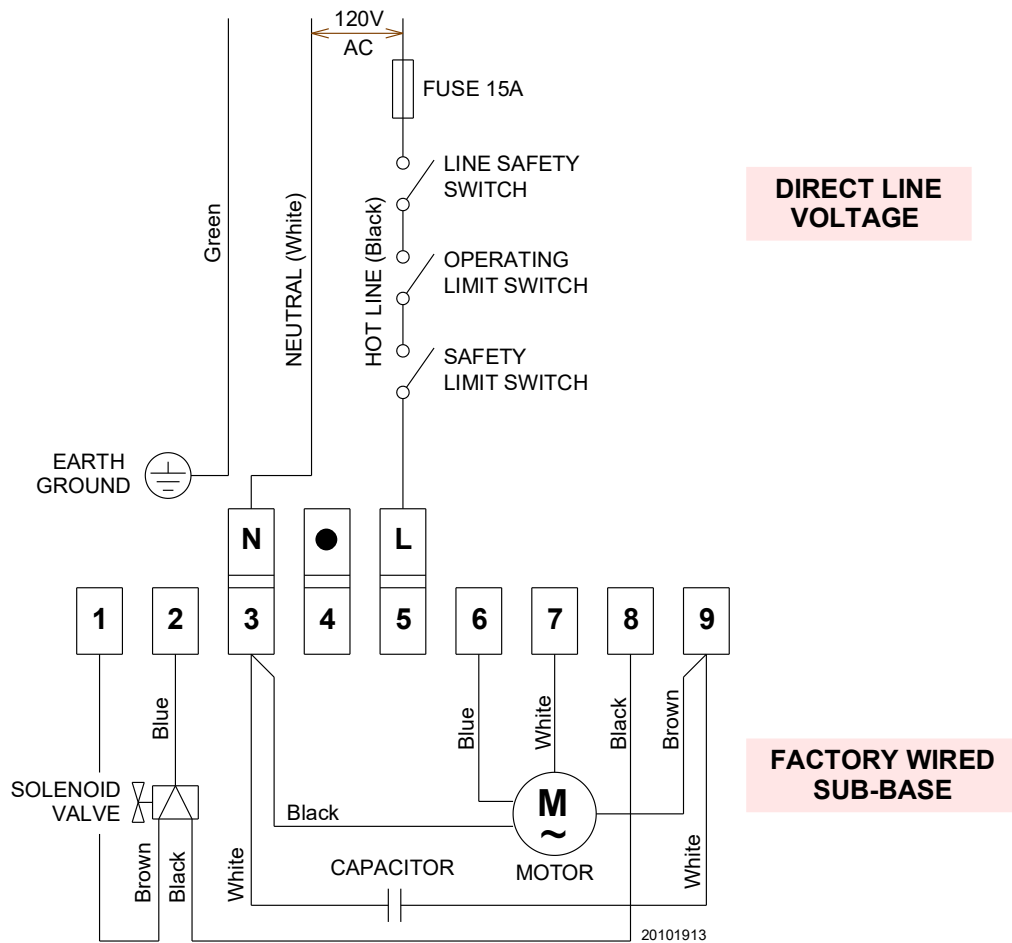
The maximum allowable current draw on this terminal (4) is 1 Amp.



WARNING

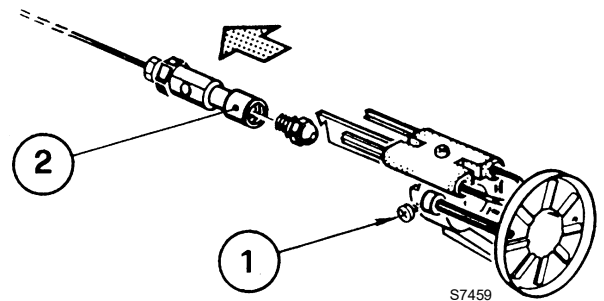
If a neutral or ground lead is attached to this terminal, the FLAME CONTROL on the burner will be damaged should lockout occur.

APPLICATION FIELD WIRING



NOZZLE PLACEMENT

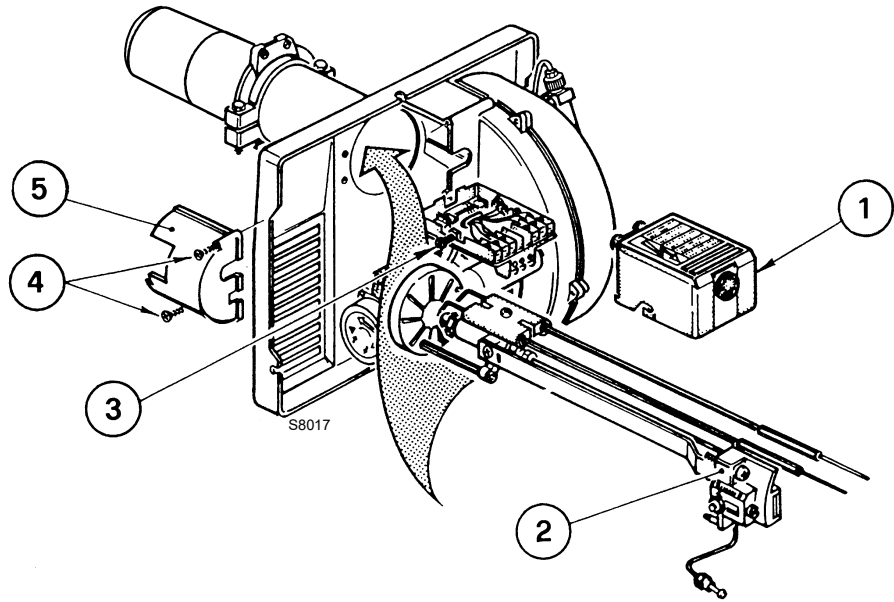
- Determine the proper firing rate for the boiler or furnace units, considering the specific application, and then use the Burner Setup charts on page 11 to select the proper nozzle and pump pressure to obtain the required input from the burner.
- Remove the NOZZLE ADAPTER (2) from the DRAWER ASSEMBLY by loosening the SCREW (1).
- Insert the proper NOZZLE into the NOZZLE ADAPTER and tighten securely (Do not over tighten).
- Replace adapter, with nozzle installed, into drawer assembly and secure with screw (1).



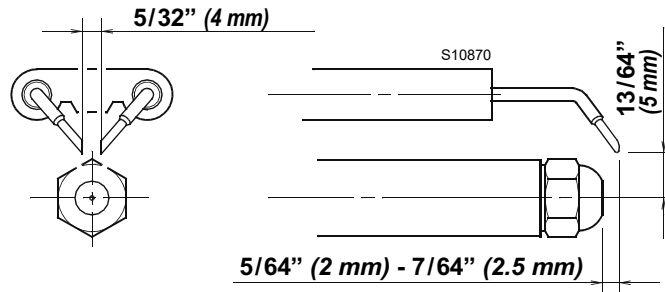
INSTALLATION/REMOVAL OF DRAWER ASSEMBLY

Removal:

- A) Loosen off oil delivery tube nut from pump.
- B) Loosen SCREW (3), and then unplug FLAME CONTROL (1) by carefully pulling it back and then up.
- C) Remove the AIR TUBE COVER PLATE (5) by loosening the retaining SCREW (4) (Two SCREWS – Model F5).
- D) Loosen SCREW (2), and then slide the complete drawer assembly out of the combustion head as shown.
- E) To insert drawer assembly, reverse the procedure in items A to D above.



ELECTRODE SETTING



IMPORTANT:

These dimensions must be observed and verified.

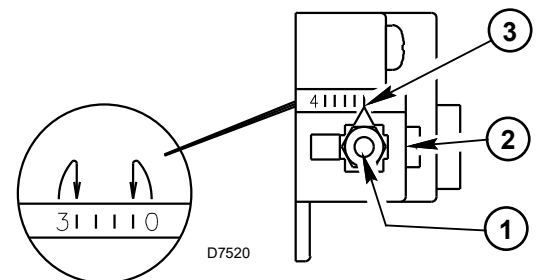
TURBULATOR SETTING

- A) Loosen NUT (1), and then turn SCREW (2) until the INDEX MARKER (3) is aligned with the correct index number as per the Burner Setup charts, or OEM specifications given with the appliance.
- B) Retighten the RETAINING NUT (1).

NOTE: OEM specifications take priority over retrofit specifications shown in this manual.

MODEL F3: Zero and three are scale indicators only. From left to right the first line is 3 and the last line 0.

MODEL F5: Same as above, except scale indicators are 0 and 4.



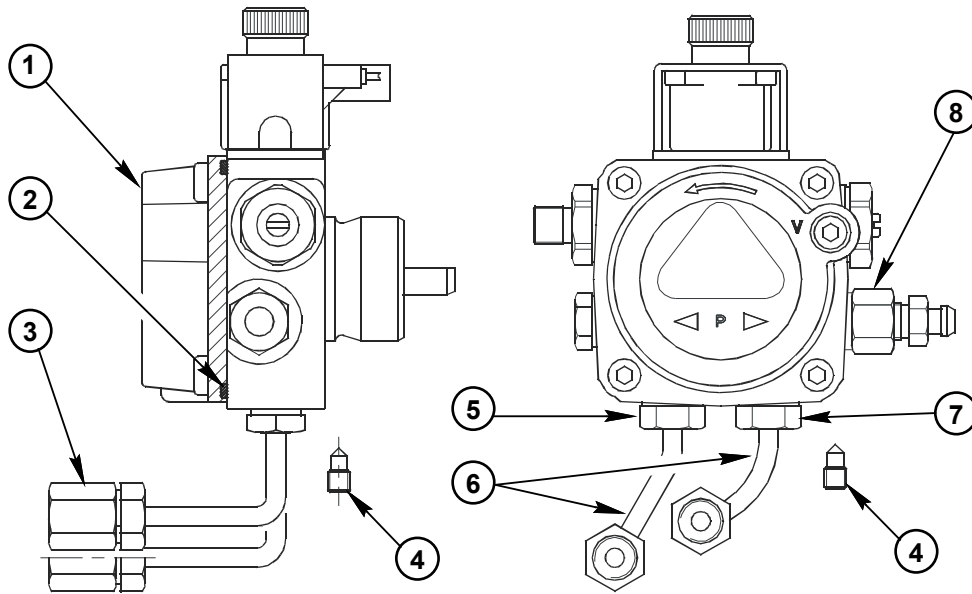
OIL LINE CONNECTIONS

This burner is shipped with the oil pump set to operate on a **single** line system. To operate on a **two-line** system the by-pass plug must be installed.

WARNING: Do not operate a **single** line system with the by-pass plug installed. Operating a **single** line system with the by-pass plug installed will result in damage to the pump shaft seal.

NOTE: Pump pressure must be set at time of burner start-up. A pressure gauge is attached to the **PRESSURE PORT** (8) for pressure readings. Two **PIPE CONNECTORS** (6) are supplied with the burner for connection to either a single or two-line system. Also supplied are two **ADAPTORS** (3), two female 1/4" NPT, to adapt oil lines to burner pipe connectors. All pump port threads are **British Parallel Thread** design. Direct connection of NPT threads to the pump **will damage** the pump body.

Riello manometers and vacuum gauges **do not** require any adapters, and can be safely connected to the pump ports. An NPT (metric) adapter **must** be used when connecting other gauge models.



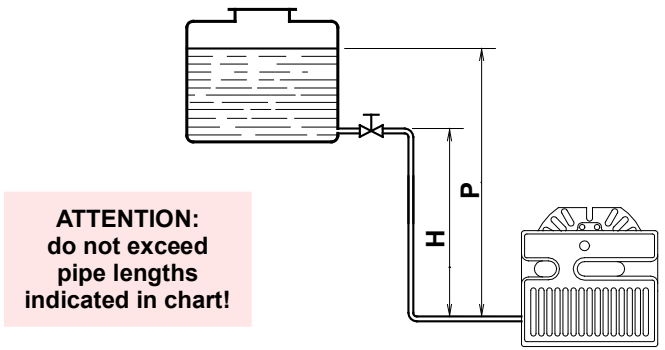
SINGLE LINE (GRAVITY FEED SYSTEM)

A) The burner is shipped configured for use in single line applications. No changes to the oil pump are required for use in single line applications.

NOTE: If the **pump cover** (1) is removed for any reason, be sure the O-ring (2), is properly seated in the pump cover (1) before re-attaching the pump cover to the pump housing.

B) Connect the pipe connector to the **SUPPLY PORT**(5) of the pump. Attach the NPT adapter to the pipe connector. Attach the required piping to this pipe adapter. Be sure that the plug in the **RETURN PORT** (7) is tightened securely.

SINGLE LINE SYSTEM-PIPE LENGTHS					
H		3/8" OD		1/2" OD	
FT	M	FT	M	FT	M
1.5	0.5	33	10	65	20
3.0	1.0	65	20	130	40
5.0	1.5	130	40	260	80
6.5	2.0	195	60	325	100



ATTENTION:
do not exceed
pipe lengths
indicated in chart!

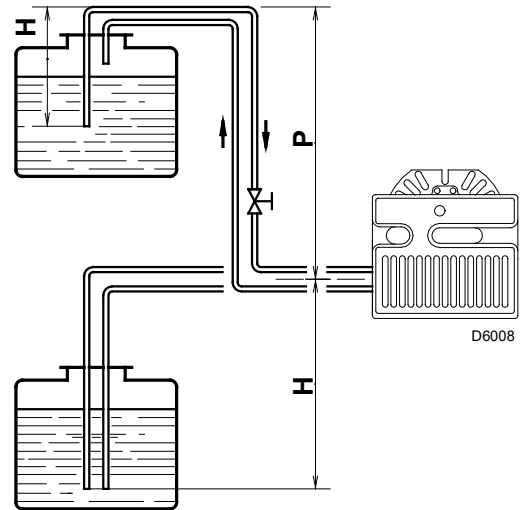
D6009

TWO LINE (LIFT SYSTEM)

A) If a two-line system is required, install the By-pass plug provided. The by-pass plug is installed in the return port of the pump. A 2.5-mm hexagonal key provided with the by-pass plug is to be used to install the plug. DO NOT use an inch size hexagonal key; damage to the by-pass plug may result. When operating on a two-line system, supply and return lines should be the same diameter and both **should extend to the same depth inside the fuel tank**. Be sure there are no air leaks or blockages in the piping system. Any obstructions in the return line will cause failure of the pump shaft seal.

2 LINE (LIFT) SYSTEM-PIPE LENGTHS					
H		3/8" OD		1/2" OD	
FT	M	FT	M	FT	M
0.0	0.0	115	35	330	100
1.5	0.5	100	30	330	100
3.0	1.0	80	25	330	100
5.0	1.5	65	20	295	90
6.5	2.0	50	15	230	70
9.5	3.0	25	8	100	30
11	3.5	20	6	65	20

ATTENTION:
do not exceed pipe lengths indicated in chart!



To install the by-pass plug: Remove the return plug (7).

2) Install the by-pass plug (4) using the 2.5 mm hexagonal key.

B) Attach the two PIPE CONNECTORS (6) to the pump SUPPLY and pump RETURN PORTS (5 and 7). Attach the required piping to these two pipe connectors using the NPT/ METRIC ADAPTERS that are supplied with the burner.

WARNING:

- Pipe dope or Teflon tapes are NOT to be used on any direct oil connection to the fuel pump.
- The height 'P' in Pipe Length Charts should not exceed 13 feet (4 m).
- The vacuum should not exceed 11.44 inches of mercury.

IMPORTANT:

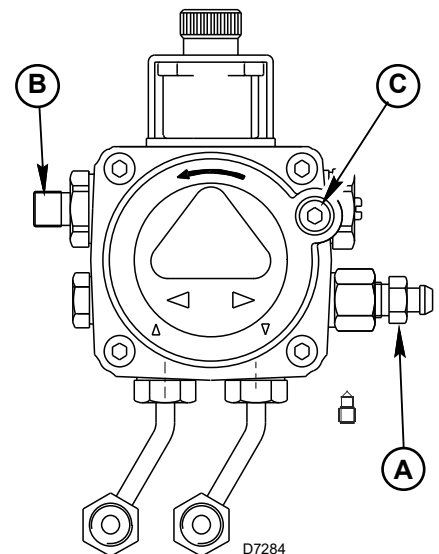
An external, appropriately listed and certified oil filter must be placed in the fuel line between the fuel tank and the burner pump.

PUMP PURGE

NOTE: To protect the pump gears, it is advisable to lubricate the pump prior to purging a lift system. Apply oil through the VACUUM PORT (C).

A) SINGLE LINE (GRAVITY FEED SYSTEM)

- I. Loosen the bleeder valve (A) until oil flows out. Tighten the bleeder valve securely and start burner.
- II. When bleeding the pump by pressure:
 - 1) Loosen the bleeder valve (A).
 - 2) Disconnect nozzle oil supply line at the pump nozzle port (B).
 - 3) Attach a flexible plastic tube to the pump nozzle, port directing the oil flow into a bucket.
 - 4) Loosen the screw(s) securing the air tube cover, allowing it to be removed freely.
 - 5) Holding the air tube cover in its proper location start the burner.
 - 6) When the solenoid valve is engaged approximately 10 seconds after starting, remove the air tube cover and shine a light source on the flame sensor, allowing it to see false light.



- 7) Run the burner until the fuel pump has been purged of air, then tighten the bleeder valve and immediately shut down the burner.
- 8) Reinstall the air tube cover and nozzle line.
- 9) The burner can now be started normally.

WARNING: Omitting steps 2 and 3 will result in a collection of unburned oil in the combustion chamber creating a hazardous situation upon burner startup.

B) TWO LINE (LIFT SYSTEM)

Turn off the main power source to the burner and remove the air tube cover.

Shines a light source on the flame sensor (now visible where the air tube cover was removed), return power to the burner and activate the burner. With the light source in place, the burner will operate in prepurge only. When the pump is sufficiently purged, the hydraulic air shutter will open.

Once the burner is purged, turn off the power source and replace the air tube cover.

Return power to the burner. The burner is now ready to operate.

ATTENTION: It is important that the fuel line be completely sealed and free from air leaks or any internal blockages.
WARNING! WHEN THE BYPASS PLUG IS INSTALLED, A TWO-PIPE SYSTEM MUST BE USED OR FAILURE OF THE PUMP SHAFT WILL OCCUR.

SETTING THE AIR ADJUSTMENT PLATE

- A) Regulation of the combustion airflow is made by adjustment of the manual AIR ADJUSTMENT PLATE (4) after loosening the FIXING SCREWS (3 & 5). The initial setting of the air adjustment plate should be made according to BURNER ADJUSTMENT TABLE.
- B) The proper number on the manual AIR ADJUSTMENT PLATE (4) should line up with the SETTING INDICATOR (2) on the fan housing cover. Once set, the air adjustment plate should be secured in place by tightening FIXING SCREWS (3 & 5).
- C) The final position of the air adjustment plate will vary on each installation. Use instruments to establish the proper setting for maximum CO₂ and a smoke reading of zero.

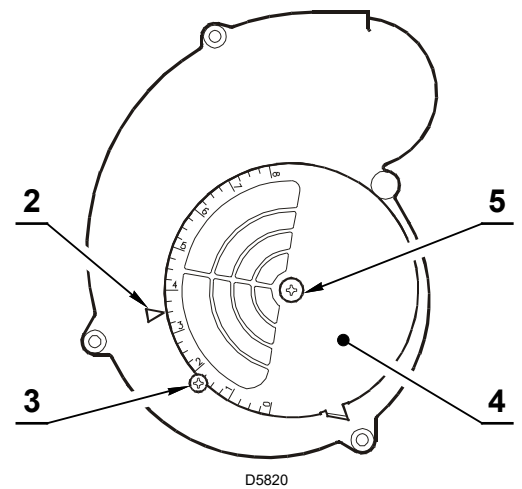
NOTE: Variations in flue gas, smoke, CO₂ and temperature readings may be experienced when burner cover is put in place. Therefore, the burner cover **must** be in place when making final combustion instrument readings, to ensure proper test results.

OPTIONAL

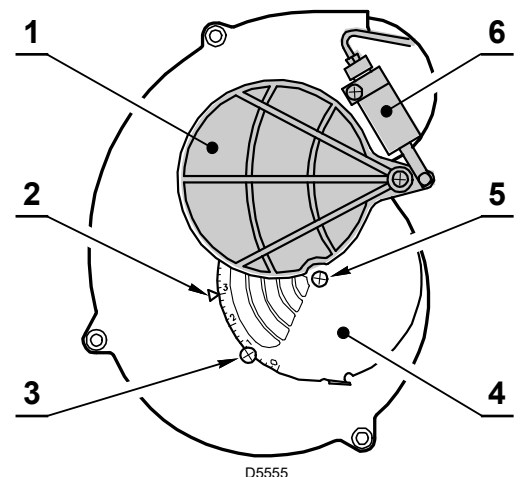
The HYDRAULIC AIR SHUTTER (1) is operated by the HYDRAULIC JACK(6), assuring complete opening of the combustion air intake.

Setting the air adjustment plate: same as above.

Manually open and release the HYDRAULIC AIR SHUTTER (1) to ensure it has free movement.



OPTIONAL - pos. 1 - 6



BURNER ADJUSTMENT TABLE

NON-RETROFIT APPLICATIONS

If this burner is being installed in a packaged unit (i.e. Burner comes with a boiler or furnace), follow the installation and set-up instructions supplied with the heating appliance, as settings will differ from those shown in this manual.

MODEL F3 BURNER					
Actual firing rate 5% ±	Nozzle size	Pump pressure		Turbulator setting	Air damper setting
		US GPH	GPH		
0.50	.40 x 60°/80°	160	11.0	0.0	2.3
0.60	.50 x 60°/80°	150	10.4	0.5	2.7
0.75	.60 x 60°/80°	150	10.4	1.5	3.4
0.80	.65 x 60°/80°	150	10.4	2.0	3.6
0.95	.75 x 60°/80°	160	11.0	3.0	4.3

MODEL F5 BURNER					
Actual firing rate 5% ±	Nozzle size	Pump pressure		Turbulator setting	Air damper setting
		US GPH	GPH		
0.75	.60 x 60/ 80°	145	10	0.0	2.25
0.85	.65 x 60/ 80°	145	10	0.5	2.5
1.00	.85 x 60/ 80°	145	10	1.0	2.75
1.10	1.00 X 60/ 80°	145	10	2.0	3.0
1.25	1.10 x 60/ 80°	145	10	2.5	3.5
1.50	1.25 x 60/ 80°	145	10	3.0	4.25
1.65	1.35 X 60/ 80°	145	10	4.0	6.0



The above set up charts are a starting point only.

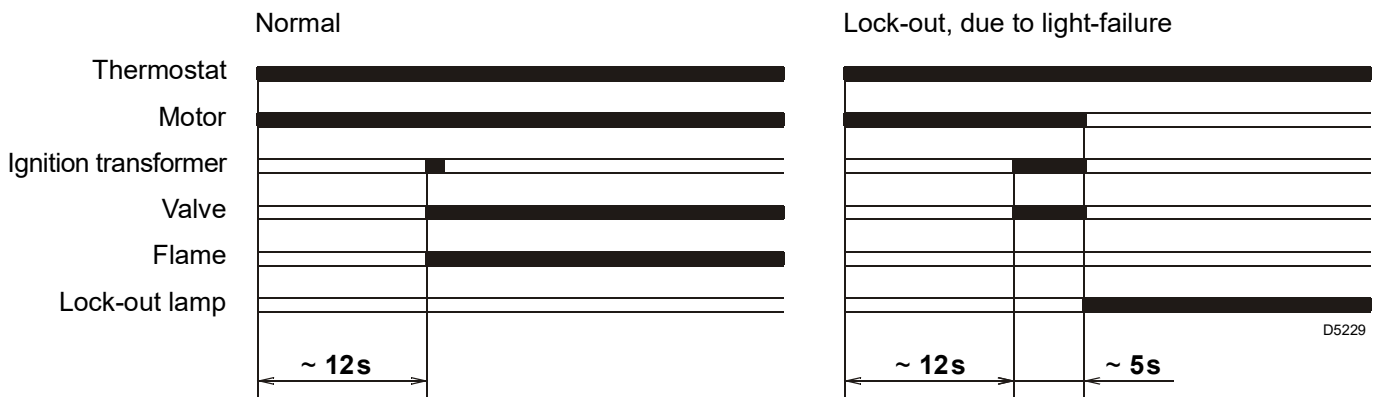
The burner and appliance must be properly set up using proper combustion testing equipment.

Any approved oil burner nozzle type, angle and manufacturer maybe used, as long as input is corresponding the correct BTU/hr or US gph input rating of the appliance.

COMBUSTION CHAMBER

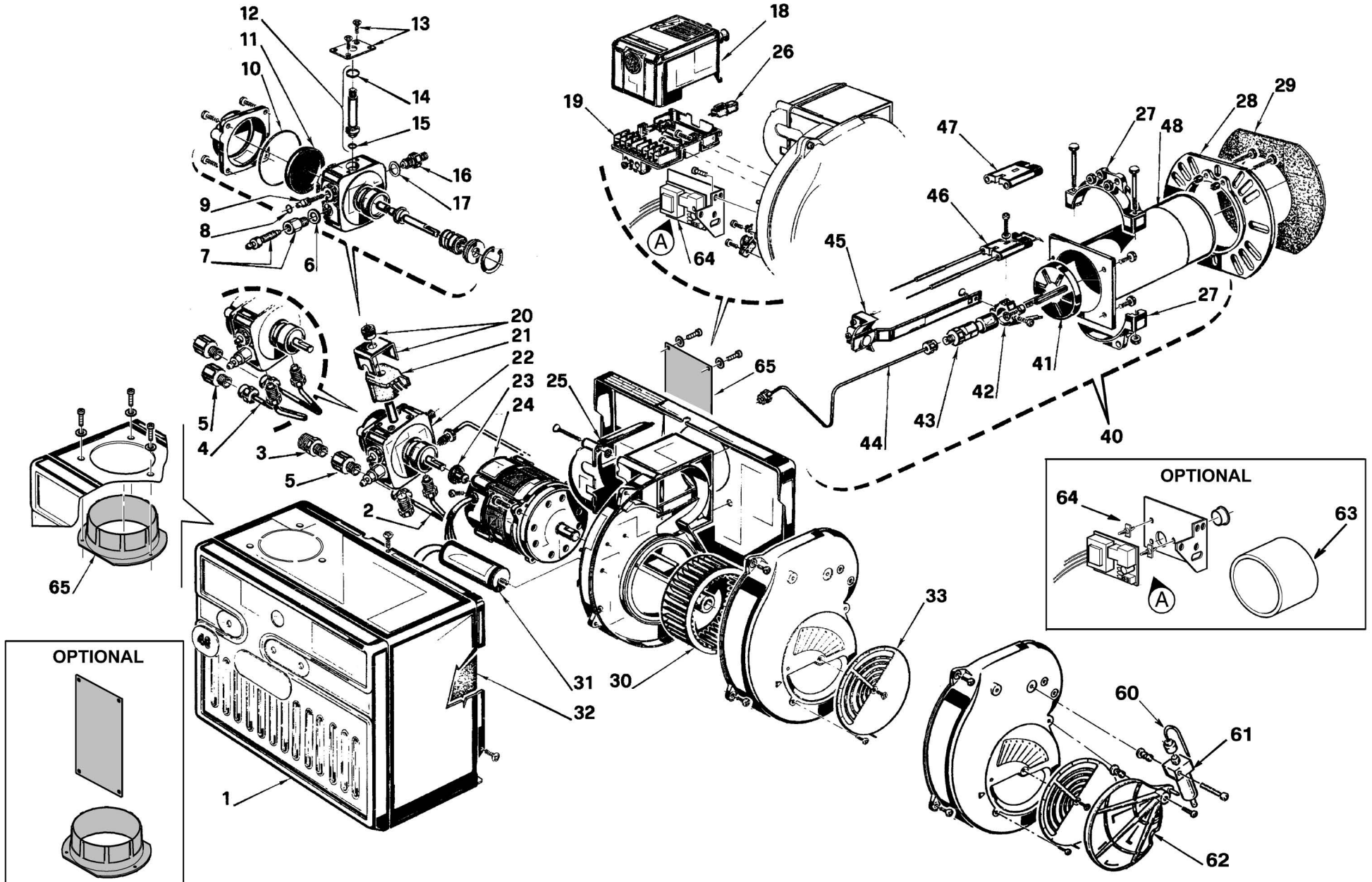
Follow the instructions furnished by the boiler/furnace manufacturer. Size retrofit application according to the appropriate installation codes (e.g. CSA B139 or NFPA #31).

BURNER START-UP CYCLE



D5229

EXPLODED SPARE PARTS LIST



SPARE PARTS LIST

No.	CODE	F3	F5	DESCRIPTION	No.	CODE	F3	F5	DESCRIPTION
1	3020506	•		BURNER BACK COVER					OPTIONAL
1	3020508		•	BURNER BACK COVER	60	3008048 C7001058	•		CAPILLARY TUBE
2	3006992	•	•	PIPE CONNECTOR - SUPPLY	60	3008049 C7001059		•	CAPILLARY TUBE
3	3006571	•	•	3/8" NPT/METRIC ADAPTER - MALE	61	3006911	•	•	HYDRAULIC JACK
4	3006993	•	•	PIPE CONNECTOR - RETURN	62	3000878	•	•	HYDRAULIC AIR SHUTTER
5	3005847	•	•	1/4" NPT/ METRIC ADAPTER - FEMALE	63	C7001033	•	•	AMULET - CERAFELT SLEEVE KIT
6	3007077	•	•	CRUSHABLE METAL WASHER 3/8" ID	64	C7001084	•	•	AL 1009 POST PURGE DEVICE KIT
7	3007568	•	•	BLEEDER	65	3002761	•	•	DUCTED COMBUSTION AIR INTAKE KIT
8	3007028	•	•	O-RING - PUMP PRESSURE REGULATOR					
9	3007202	•	•	REGULATOR SCREW					
10	3007162 C7010002	•	•	O-RING - PUMP COVER		C7001009	•	•	CAPILLARY PORT PLUG
11	3005719	•	•	PUMP SCREEN	3000932		•	•	ADJUSTABLE STEEL FLANGE
12	3006925	•	•	VALVE STEM					
13	3007203	•	•	VALVE STEM PLATE					
14	3007029	•	•	O-RING - VALVE STEM UPPER					
15	3007156	•	•	O-RING - VALVE STEM LOWER					
16	3007268	•	•	NOZZLE OUTLET FITTING					
17	3007087	•	•	CRUSHABLE METAL WASHER 5/8" ID					
18	3001157 C7001029	•	•	PRIMARY CONTROL 530 SE/C					
19	3002278	•	•	PRIMARY CONTROL SUB BASE					
20	3006553	•	•	COIL U-BRACKET AND KNURLED NUT					
21	3002279	•	•	COIL					
22	3007802 C7001010	•	•	PUMP					
23	3000443	•	•	PUMP DRIVE KEY					
24	3005843	•	•	MOTOR					
25	3007315	•		AIR TUBE COVER					
25	3007316		•	AIR TUBE COVER					
26	3002280	•	•	FLAME SENSOR					
27	3005854	•	•	SEMI FLANGE (2 REQUIRED)					
28	3005855	•	•	UNIVERSAL MOUNTING FLANGE					
29	3020248 C6880000	•	•	MOUNTING GASKET					
30	3005708	•	•	FAN					
31	20087023	•	•	CAPACITOR					
32	3002864 C6950050	•		ACOUSTIC LINER					
32	3007320		•	ACOUSTIC LINER					
33	3007204	•	•	MANUAL AIR SHUTTER					

SPARE PARTS LIST

No.	CODE	F3	F5	DESCRIPTION	No.	CODE	F3	F5	DESCRIPTION
40	3948876	•		VSBT COMBUSTION HEAD 3"	40	3948877	•		COMBUSTION HEAD 8 7/8"
40	3948976		•	VSBT COMBUSTION HEAD 3"	40	3948975		•	COMBUSTION HEAD 8 7/8"
41	3006968	•		TURBULATOR DISC	41	3006968	•		TURBULATOR DISC
41	3006977		•	TURBULATOR DISC	41	3006977		•	TURBULATOR DISC
42	3006966	•	•	ELECTRODE SUPPORT	42	3006966	•	•	ELECTRODE SUPPORT
43	3006965	•	•	NOZZLE ADAPTER	43	3006965	•	•	NOZZLE ADAPTER
44	3008627	•		NOZZLE OIL TUBE	44	3008790	•		NOZZLE OIL TUBE
44	3008629		•	NOZZLE OIL TUBE	44	3008628		•	NOZZLE OIL TUBE
45	3008633	•		REGULATOR ASSEMBLY	45	3008846	•		REGULATOR ASSEMBLY
45	3008634		•	REGULATOR ASSEMBLY	45	3008635		•	REGULATOR ASSEMBLY
46	3008630	•		ELECTRODE ASSEMBLY	46	3008789	•		ELECTRODE ASSEMBLY
46	3008631		•	ELECTRODE ASSEMBLY	46	3008632		•	ELECTRODE ASSEMBLY
47	3005869	•	•	ELECTRODE PORCELAIN	47	3005869	•	•	ELECTRODE PORCELAIN
48	3008623	•		AIR TUBE	48	3008788	•		AIR TUBE
48	3008626		•	AIR TUBE	48	3008625		•	AIR TUBE
40	3948873	•		SBT COMBUSTION HEAD 6" (271T)	40	3948874	•		LBT COMBUSTION HEAD 10" (271T2)
40	3948973		•	SBT COMBUSTION HEAD 6" (271T)	40	3948974		•	LBT COMBUSTION HEAD 10" (271T2)
41	3006968	•		TURBULATOR DISC	41	3006968	•		TURBULATOR DISC
41	3006977		•	TURBULATOR DISC	41	3006977		•	TURBULATOR DISC
42	3006966	•	•	ELECTRODE SUPPORT	42	3006966	•	•	ELECTRODE SUPPORT
43	3006965	•	•	NOZZLE ADAPTER	43	3006965	•	•	NOZZLE ADAPTER
44	3006969	•		NOZZLE OIL TUBE	44	3006970	•		NOZZLE OIL TUBE
44	3006973		•	NOZZLE OIL TUBE	44	3006974		•	NOZZLE OIL TUBE
45	3006324	•		REGULATOR ASSEMBLY	45	3005867	•		REGULATOR ASSEMBLY
45	3006323		•	REGULATOR ASSEMBLY	45	3005878		•	REGULATOR ASSEMBLY
46	3006330	•		ELECTRODE ASSEMBLY	46	3005870	•		ELECTRODE ASSEMBLY
46	3006329		•	ELECTRODE ASSEMBLY	46	3005880		•	ELECTRODE ASSEMBLY
47	3005869	•	•	ELECTRODE PORCELAIN	47	3005869	•	•	ELECTRODE PORCELAIN
48	3007592	•		AIR TUBE	48	3007593	•		AIR TUBE
48	3007594		•	AIR TUBE	48	3007595		•	AIR TUBE

BURNER START UP REPORT

Model number:	_____	Serial number:	_____
Project name:	_____	Start-up date:	_____
Installing contractor:	_____	Phone number:	_____

OIL OPERATION

Oil supply pressure:	_____	CO ₂ : Low Fire	_____	High Fire	_____
Oil suction pressure:	_____	O ₂ : Low Fire	_____	High Fire	_____
Control Power Supply:	_____	CO: Low Fire	_____	High Fire	_____
Burner Firing Rate:	_____	NO _x : Low Fire	_____	High Fire	_____
Low Fire Flame Signal:	_____	Net Stack Temp - Low Fire:	_____	High Fire	_____
High Fire Flame Signal:	_____	Comb. Efficiency - Low Fire:	_____	High Fire	_____
Low Fire Nozzle Size:	_____	Overfire Draft:	_____		
High Fire Nozzle Size:	_____	Smoke number:	_____		

CONTROL SETTINGS

Operating Setpoint:	_____	Low Oil Pressure:	_____
High Limit Setpoint:	_____	High Oil Pressure:	_____
Low Gas Pressure:	_____	Flame Safeguard Model Number:	_____
High Gas Pressure:	_____	Modulating Signal Type:	_____

NOTES



PRÉCAUTION

PRECAUTIONS D'INSTALLATION

AIR POUR COMBUSTION

Ne pas installer le brûleur dans une salle n'ayant pas assez d'air pour la combustion. Assurez-vous qu'il y ait une alimentation en air adéquate pour la combustion si la salle de la chaudière/four est encastrée. Il peut être nécessaire de créer une fenêtre pour permettre à suffisamment d'air d'entrer dans la salle de la chaudière/four. L'installateur doit suivre des ordonnances locales à ce sujet.

CANADA Il est suggéré que l'installateur suive la norme CSA B139.

USA Il est suggéré que l'installateur suive le manuel NFPA #31.

CHEMINÉE

Assurez-vous que la cheminée soit suffisante pour traiter les gaz d'échappement. Il est recommandé que seul le brûleur soit raccordé à la cheminée. Assurez-vous qu'il soit propre et sans obstructions.

FILTRE À HUILE

Un filtre à huile externe est **NÉCESSAIRE**, même en cas de présence de filtre interne à la pompe. Le filtre doit être remplacé au moins une fois par an et le boîtier du filtre doit être minutieusement nettoyé avant d'installer une nouvelle cartouche filtrante.

TIRAGE

Suivre la notice livrée avec l'appareil de chauffage. La pression dans la zone de combustion doit demeurer la plus proche possible de zéro. Le brûleur fonctionnera avec un léger tirage ou pression dans la chambre.

CONNEXIONS ÉLECTRIQUES

CANADA Toutes les connexions électriques doivent être effectuées conformément au C.E.C. Part 1, et à tous les codes locaux. Le système doit être mis à la masse.

USA Toutes les connexions électriques doivent être effectuées conformément au Code électrique national, et à toutes les ordonnances locales. Le système doit être mis à la masse.

FONCTIONNEMENT DU BRÛLEUR DE CONTRÔLE

Vérifier le brûleur et expliquer son fonctionnement au propriétaire. Assurez-vous de laisser la feuille d'Instruction du propriétaire chez le propriétaire.

EXTINCTEUR

Si requis par les codes locaux, installer un extincteur approuvé.

CONNEXIONS ÉLECTRIQUES

Dans la plupart des localités, un fil de chiffre 14 doit être utilisé à l'intérieur d'un conduit métallique. Le système doit être mis à la masse. Un interrupteur de service doit être placé près du brûleur sur une paroi ignifuge dans un endroit facilement accessible.



ATTENTION

Les réglages du brûleur utilisés dans le présent manuel ont été obtenus dans des conditions de laboratoire et peuvent varier par rapport à ceux obtenus dans l'installation effective du brûleur. Les résultats de la combustion doivent être vérifiés en utilisant un équipement de test de combustion. Riello ne sera pas responsable de l'installation ou du paramétrage incorrects de l'appareil.

INDEX

CONTENU DE L'EMBALLAGE	1
IDENTIFICATION DU NUMÉRO DE SÉRIE	1
DONNÉES TECHNIQUES	2
Spécifications	2
Dimensions du brûleur et de la bride de montage	2
Identification des composants du brûleur	2
Composants du brûleur	2
PRÉPARATION	3
MONTAGE DU TUBE D'AIR SUR LE CHÂSSIS DU BRÛLEUR	3
MONTAGE DU BRÛLEUR SUR LA CHAUDIÈRE OU LE FOUR	3
Méthode 1- Bride de montage universelle	3
Méthode 2 - Collier avec demi-bride	4
Méthode 3 - Montage sur pied	4
INSTRUCTIONS D'INSTALLATION D'AMULETTE	5
CONNEXIONS ÉLECTRIQUES	6
CÂBLAGE SUR SITE DE L'APPLICATION	7
INSTALLATION DU GICLEUR	7
MONTAGE / DÉMONTAGE DU TIROIR	8
RÉGLAGE DE L'ÉLECTRODE	8
RÉGLAGE DU TURBULATEUR	8
RACCORDEMENT DES TUYAUX D'HUILE	9
Un tuyau (système d'alimentation par gravité)	9
Deux tuyaux (système de relevage)	10
PURGE DE LA POMPE	10
Un tuyau (système d'alimentation par gravité)	10
Deux tuyaux (système de relevage)	11
RÉGLAGE DE LA PLAQUE DE RÉGLAGE D'AIR	11
TABLEAU DE RÉGLAGE DU BRÛLEUR	12
CYCLE DE DÉMARRAGE DU BRÛLEUR	12
CATALOGUE ÉCLATÉ DES PIÈCES DÉTACHÉES	13
CATALOGUE DES PIÈCES DÉTACHÉES	14
RAPPORT DE DÉMARRAGE DU BRÛLEUR	16

CONTENU DE L'EMBALLAGE

Votre brûleur Riello 40 doit être composé des pièces suivantes. Veuillez contrôler la présence de toutes les pièces

énumérées ci-après avant de procéder à l'installation de l'appareil.

Quantité	Description
1	Châssis brûleur avec capot
1	Bride de montage universelle + joint de montage
1	Sachet de pièces
1	Sachet de pièces
1	Notice d'installation
	Cartons séparés - brûleurs FEO, livrés avec leur tête de combustion déjà montée
1	Tête de combustion

Sachet de pièces

Quantité	Description
1	Bouchon de dérivation
1	Adaptateur femelle 1/4" NPT
1	Adaptateur mâle 3/8" NPT
1	Clé à six pans 2,5 mm
1	Connecteur pompe huile (alimentation)
1	Connecteur pompe huile (retour)

Sachet de pièces

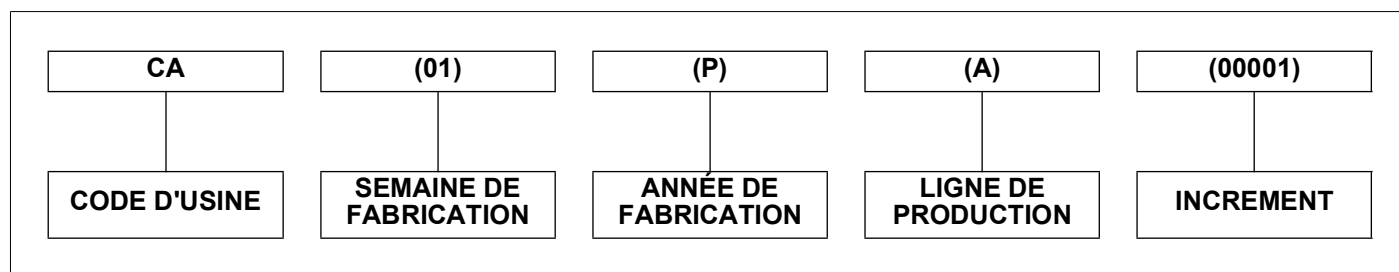
Quantité	Description
2	Boulons de demi-bridés (longs)
2	Demi-bridés
2	Boulons de brides de montage (courts)
4	Écrous
2	Écrous chromés
2	Vis de couverture

IDENTIFICATION DU NUMÉRO DE SÉRIE

Le numéro de série à 11 chiffres RIELLO, comme par exemple, **CA01PA00001**, signifie ce qui suit:

CA	=	CODE D'USINE
01	=	SEMAINE DE FABRICATION
P	=	ANNÉE DE FABRICATION (CRÉÉ SELON LA TABLE DE TRANSCODAGE)
A	=	LIGNE DE PRODUCTION
00001	=	INCRÉMENT DE 1 POUR CHAQUE BRÛLEUR PRODUIT

M	2017
N	2018
O	2019
P	2020
Q	2021
R	2022
S	2023
T	2024
U	2025
V	2026
W	2027
X	2028
Y	2029
Z	2030



DONNÉES TECHNIQUES SPÉCIFICATIONS

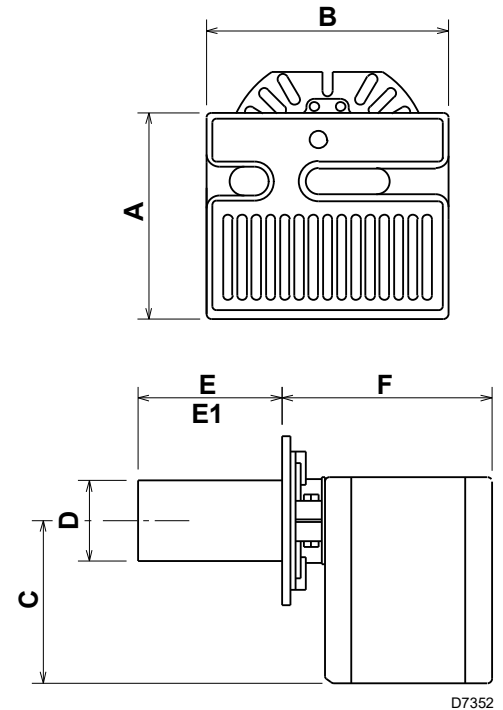
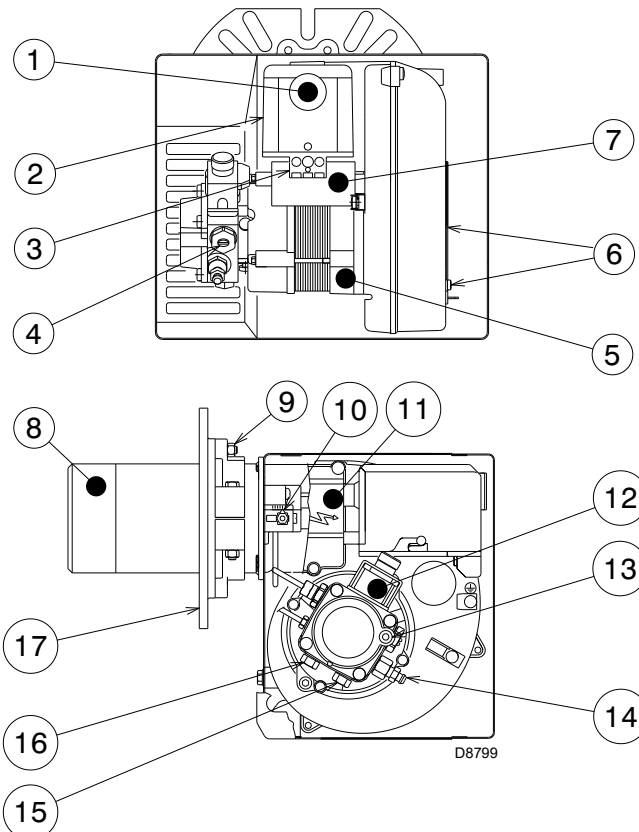
Combustible	N° 2 Huile combustible
F3 Plaque d'allumage - Puissance effective	0,50 à 0,95 US GPH - 70.000 à 133.000 BTU/h
F5 Plaque d'allumage - Puissance effective	0,75 à 1,65 US GPH - 105.000 à 231.000 BTU/h
Tension (monophasée)	120V 60Hz (+ 10% - 15%)
F3 Puissance électrique absorbée	175 Watts
F5 Puissance électrique absorbée	264 Watts
Moteur (nominal)	3250 tours/min. Courant de cycle 2,2 AMP
Condensateur	12,5 Microfarads
Pression de la pompe	de 130 à 200 psi
Commande primaire	RIELLO 530 SE/C
Transformateur d'allumage	8kV 16mA

DIMENSIONS DU BRÛLEUR ET DE LA BRIDE DE MONTAGE

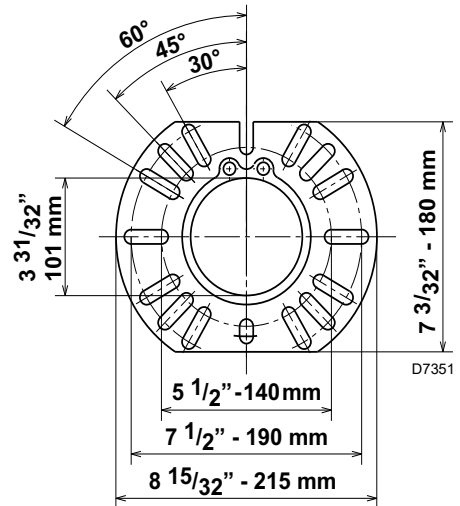
Modèle		A	B	C	D	E	F
F3	Pouces	8 15/32	9 59/64	6 15/32	3 1/2	6	8 29/32
	mm	215	252	164	89	152	226
F5	Pouces	9 11/64	10 11/16	7 3/32	3 1/2	6	9 13/32
	mm	233	272	180	89	152	239

E1: Des tubes de 10 pouces de longueur (254 mm) sont également disponibles.

IDENTIFICATION DES COMPOSANTS DU BRÛLEUR



D7352



D7351

COMPOSANTS DU BRÛLEUR

- 1 Voyant de blocage et bouton de déblocage
- 2 Commande primaire
- 3 Sous-base de commande primaire
- 4 Régulateur de pression de la pompe
- 5 Moteur
- 6 Vis de fixation de réglage d'air
- 7 Condensateur
- 8 Tête de combustion
- 9 Demi-bride
- 10 Vis de réglage turbulateur
- 11 Capot de tube d'air
- 12 Bobine
- 13 Orifice du vacuomètre
- 14 Manomètre et orifice purgeur
- 15 Raccord de retour du combustible
- 16 Raccord d'alimentation en combustible
- 17 Bride de montage avec joint

PRÉPARATION

- Enlever le brûleur et le tube d'air des cartons. Contrôler que toutes les pièces de la liste du contenu de l'emballage (à l'intérieur du capot) sont présentes.
- Enlever le capot du brûleur en desserrant les trois vis de fixation. Enlever la boîte de contrôle et le capot du tube d'air.
- Enlever le tiroir du tube d'air, introduire le gicleur, régler le turbulateur pour l'entrée voulue puis mettre de côté.
- Monter le tube d'air sur le châssis du brûleur.

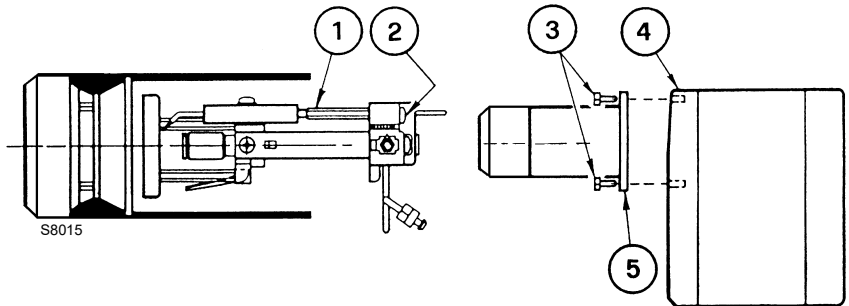
MONTAGE DU TUBE D'AIR SUR LE CHÂSSIS DU BRÛLEUR

Le tube d'air et le tiroir sont livrés dans un autre carton par rapport à celui du châssis du brûleur. Prendre la bonne longueur de tube d'air adaptée à l'installation en question.

- Séparer le TUBE D'AIR et le CHÂSSIS DU BRÛLEUR de leur carton respectif.
- Desserrer la vis (2) pour pouvoir enlever le GROUPE TIROIR (1) de l'intérieur du TUBE D'AIR.

Tirer délicatement le GROUPE TIROIR du TUBE D'AIR vers l'extérieur, installer le gicleur voulu (voir page 8) et mettre de côté.

- Enlever les deux BOULONS (3) de la PLAQUE AVANT (4) du CHÂSSIS du BRÛLEUR. Aligner les deux orifices sur la PLAQUE DE SOUTIEN DU TUBE D'AIR (5) avec les deux orifices présents sur la PLAQUE AVANT DU CHÂSSIS DU BRÛLEUR avec les BOULONS (3) précédemment enlevés. Remonter les BOULONS et les serrer uniquement à la main. Remonter le GROUPE TIROIR dans le TUBE D'AIR. Serrer la VIS (2) à fond.
- Serrer les deux boulons (3) à fond.

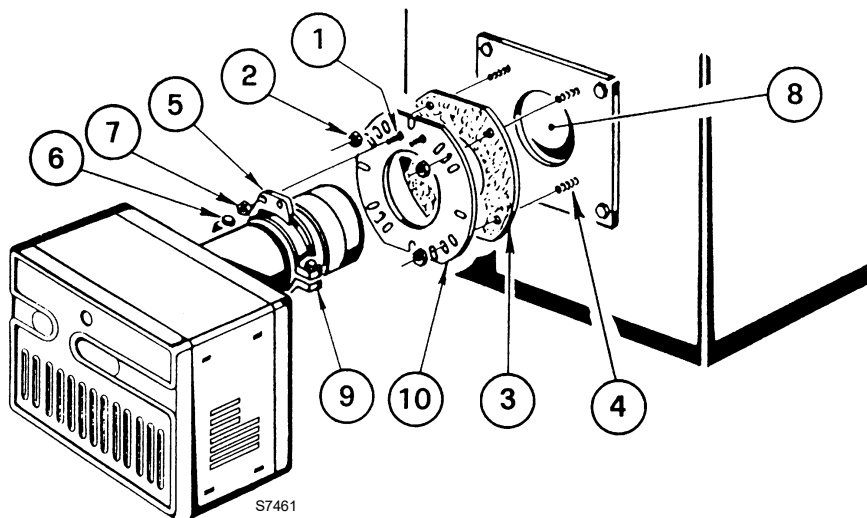


MONTAGE DU BRÛLEUR SUR LA CHAUDIÈRE OU LE FOUR

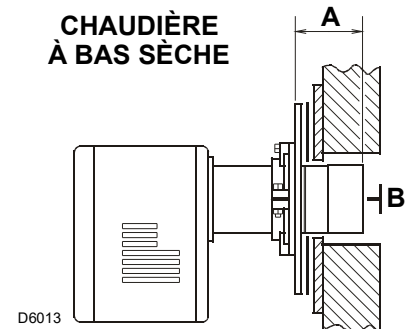
En fonction de l'usage du brûleur, il est possible de monter ce dernier de trois façons différentes. Ces méthodes sont les suivantes:

- Avec une bride universelle fixée sur la chaudière/four.
- Avec un collier avec demi-bride fixé sur la chaudière/four.
- Avec une bride universelle montée sur le pied livré en option; le montage direct de la bride sur l'appareil n'est pas possible. Le kit pied doit être commandé à part.

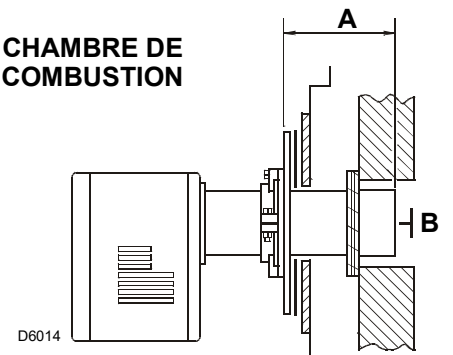
MÉTHODE 1 – BRIDE DE MONTAGE UNIVERSELLE



CHAUDIÈRE À BAS SÈCHE



CHAMBRE DE COMBUSTION



- A) Introduire les deux BOULONS (1) dans la BRIDE DE MONTAGE UNIVERSELLE (10) depuis le côté plat, en veillant à ce que les têtes des boulons soient au même niveau que la surface plane. Les solidariser à l'aide des deux ÉCROUS CHROMÉS (2) spéciaux livrés avec l'appareil.
- B) Placer le JOINT DE MONTAGE (3) entre la surface plane de la BRIDE DE MONTAGE UNIVERSELLE (10) et l'appareil. Aligner les orifices de la BRIDE DE MONTAGE UNIVERSELLE avec les GOUJONS (4) présents sur la plaque de montage de l'appareil, puis serrer à fond LA BRIDE DE MONTAGE UNIVERSELLE sur la plaque.
- C) Solidariser les deux demi-bridés du COLLIER RÉGLABLE (9) sur le TUBE D'AIR, à l'aide des deux BOULONS longs (6). S'assurer que le COLLIER RÉGLABLE (9) est bien installé de sorte que le bord extérieur du CÔNE D'EXTREMITÉ soit au moins à 1/4" pouce (6,5 mm) en retrait par rapport à la paroi interne du matériau réfractaire de la chambre de combustion (voir dimension B ci-dessus). La longueur mesurée (A) comprend le JOINT et la BRIDE DE MONTAGE, si présents.
- D) Il est maintenant possible de raccorder l'unité chauffante en faisant passer le TUBE D'AIR à travers l'ORIFICE D'ACCÈS DU BRÛLEUR (8) puis dans l'appareil de chauffage, en veillant à ce que les BOULONS (1) soient alignés avec les deux ORIFICES (5) du COLLIER RÉGLABLE (9). Solidariser le brûleur à l'aide des deux ÉCROUS (7).
- Il est conseillé de procéder à un contrôle visuel de l'insertion du tube d'air dans la chambre de combustion de l'unité chauffante. La dimension B doit être au minimum, 1/4" (voir schéma).

REMARQUE:

Méthode conseillée pour percer les trous pour les boulons dans le joint de montage : tenir le joint contre les boulons de montage de l'appareil de chauffage, en s'aidant de la bride de montage en vue d'obtenir le positionnement approprié. Taper délicatement sur la bride avec un marteau afin de former l'empreinte des orifices.

MÉTHODE 2 - COLLIER AVEC DEMI-BRIDE

- A) Procéder selon le point C de la MÉTHODE 1.
- B) Aligner le tube d'air et son collier réglable monté de sorte que le tube d'air soit centré dans l'orifice d'accès du brûleur/four. Faire une marque au centre des deux orifices dans le COLLIER RÉGLABLE, sur la plaque avant de l'unité chauffante. Puis percer des trous de 1/4 de pouces (6,5 mm) à travers la plaque avant de l'unité, en s'aidant des marques comme point de repère.
- C) Faire passer les deux BOULONS courts (1) à travers la plaque avant de l'unité chauffante par l'intérieur et fixer, de l'extérieur, les deux ÉCROUS CHROMÉS (2) spéciaux.
- D) Procéder selon le point D de la MÉTHODE 1.

MÉTHODE 3 - MONTAGE SUR PIED

Fixer la BRIDE DE MONTAGE sur le PIED en utilisant le matériel livré avec ce dernier. Attacher le brûleur sur la BRIDE DE MONTAGE tel qu'indiqué dans la MÉTHODE 1, point A, C et D.

REMARQUE:

Il est conseillé d'attacher le pied au sol, à l'aide de brides sur le tube du pied et en attachant les brides au sol.



LORSQUE LA CHAMBRE DE COMBUSTION EST ALIGNÉE AVEC LE MATÉRIAU RÉFRACTAIRE, IL EST ESSENTIEL QUE LE CÔNE D'EXTREMITÉ NE DÉPASSE PAS DE LA CHAMBRE CAR, EN CAS DE SURCHAUFFE DU BRÛLEUR, LE CÔNE D'EXTREMITÉ RISQUERAIT D'ÊTRE DÉTÉRIORÉ.

INSTRUCTIONS D'INSTALLATION D'AMULETTE (Requis sur certains modèles)

Les amulettes fournies ont été choisies par Riello pour protéger le tube de combustion des gaz d'échappement chauds et des flammes. Cette protection peut s'avérer nécessaires dans les applications où le tube de combustion s'ouvrant dans le matériau réfractaire de la chambre de combustion est plus grand que le diamètre extérieur du tube.

L'amulette a été dimensionnée pour s'adapter au modèle 40 de Riello tailles F3 et F5 plus le modèle R35 de Riello.

Lors de l'installation de cette amulette, la manipuler avec précautions.

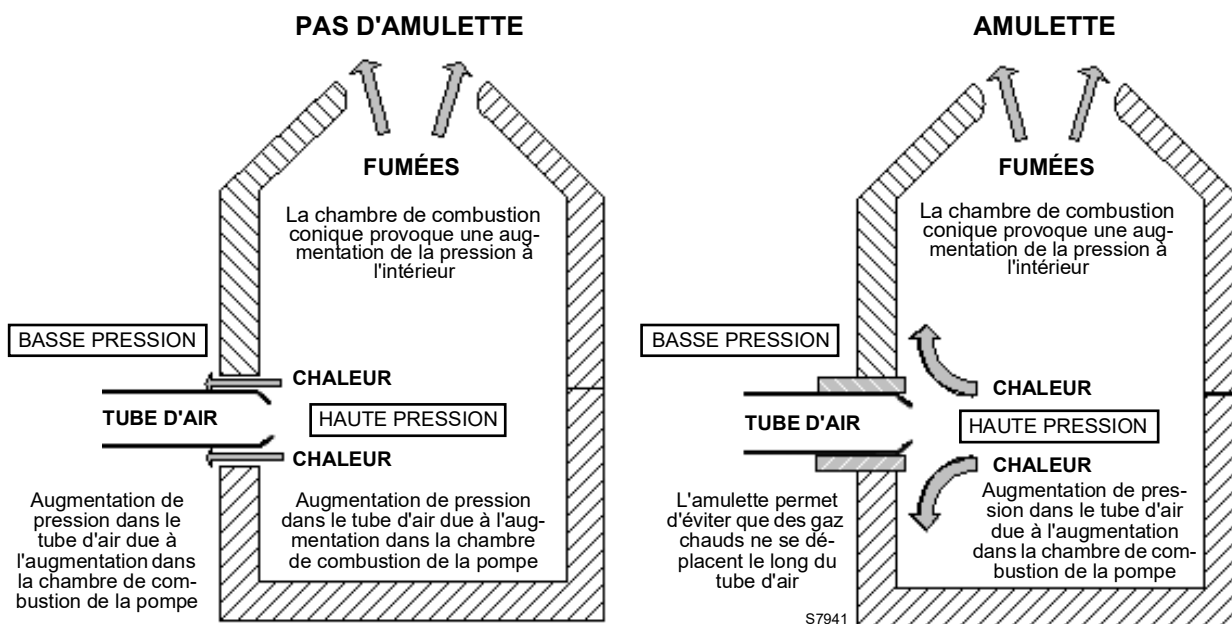
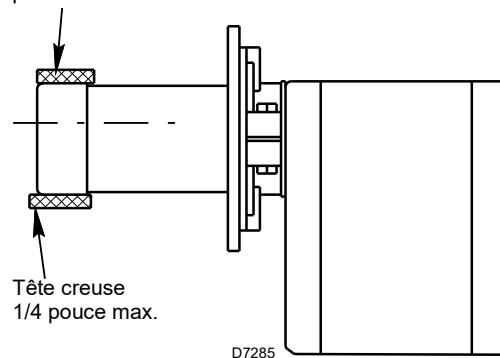
Ne pas exercer de pression anormale lorsque l'on pousse l'amulette sur le tube de combustion.

Une force excessive pourrait provoquer la rupture de l'amulette!

Si l'amulette ne s'adapte pas facilement sur le tube, enlever une petite quantité du diamètre interne avec un couteau acéré pour fournir le jeu nécessaire.

Le diagramme ci-dessous montre la position correcte de l'amulette après installation.

Amulette indiquée dans la position montée à fleur




CONNEXIONS ÉLECTRIQUES

Il est conseillé d'enlever la boîte de contrôle de la sous-base lors de la réalisation de la connexion électrique au brûleur.

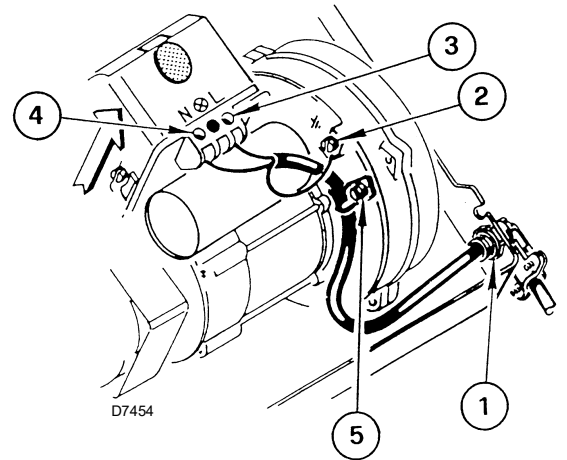
- 1) Trou d'accès des câbles (Utiliser le connecteur électrique BX)
- 2) Borne de conducteur de masse à la terre (Câble vert)
- 3) Borne de conducteur chaud (Câble noir)
- 4) Borne de conducteur neutre (Câble blanc)
- 5) Serre câble

ATTENTION:

Le fil chaud (noir) doit être raccordé à la borne L et le fil neutre (blanc) doit être raccordé à la borne N ou la commande de sécurité primaire sera endommagée.

Ne pas connecter le fil flétri à la borne marquée .

En utilisant le diagramme approprié ci-dessous, effectuer les connexions électriques au brûleur. Tout le câblage doit être effectué conformément aux codes électriques existants, à la fois nationaux et locaux. Quand toutes les connexions électriques ont été faites, le boîtier de commande peut être remis en place sur la sous-base.



ATTENTION NE PAS démarrer le brûleur tant que les raccordements des tuyaux d'huile n'ont pas été réalisés car cela peut entraîner la rupture du joint de l'arbre de la pompe.

DÉTECTION À DISTANCE DE MISE EN SÉCURITÉ

L'INTERRUPTEUR DE SÉCURITÉ dans la BOÎTE DE CONTRÔLE 530 SE/C est équipé d'un contact permettant une détection à distance de la mise en sécurité du brûleur. La connexion électrique est réalisée à la borne 4 (●) sur la SOUS-BASE.

Si une mise en sécurité survient, la BOÎTE DE CONTRÔLE 530 SE/C fournira une source d'alimentation de 120 Vac à la borne de connexion.

Le courant maximum autorisé de tirage sur cette borne (4) est de 1 Amp.



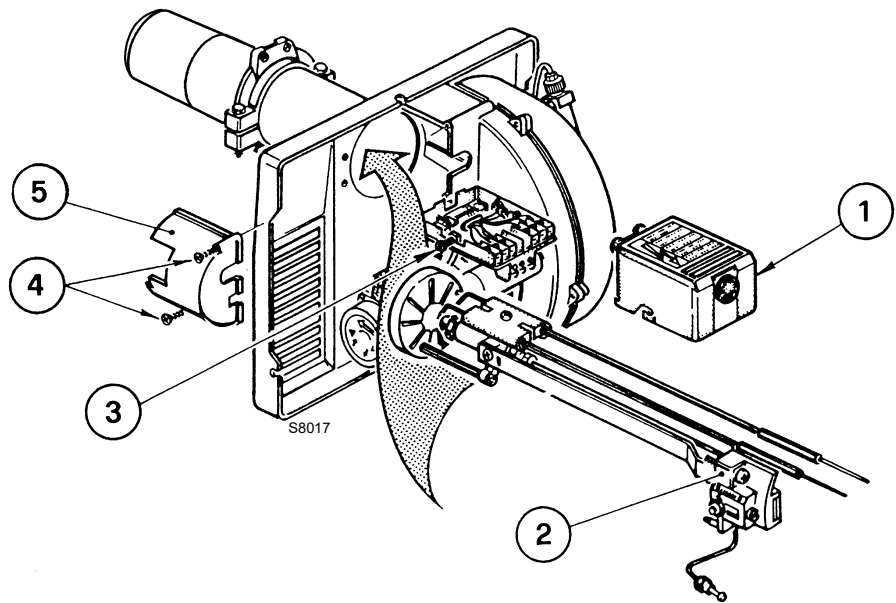
ATTENTION

Si un fil neutre ou de masse est fixé à cette borne, la BOÎTE DE CONTRÔLE sur le brûleur sera endommagé si une mise en sécurité survient.

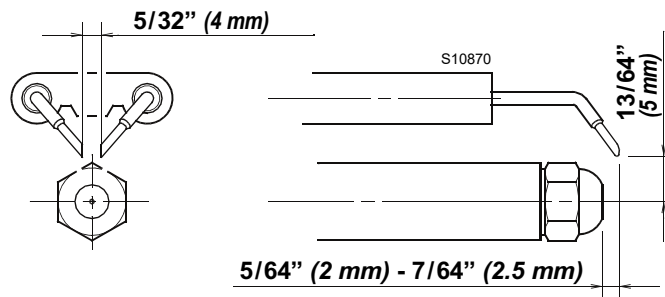
INSTALLATION/DÉMONTAGE DU GROUPE TIROIR

Démontage:

- Desserrer l'écrou du tube d'arrière-vue d'huile sur la pompe.
- Desserrer la VIS (3) puis ouvrir la BOÎTE DE CONTRÔLE (1) en tirant délicatement le couvercle vers l'arrière puis le vers le haut.
- Enlever la PLAQUE DU CAPOT DU TUBE D'AIR (5) en desserrant la VIS de retenue (4) (Deux VIS - Modèle F5).
- Desserrer la VIS (2) puis faire glisser tout le groupe tiroir hors de la tête de combustion, tel qu'illustré.
- Pour remonter le groupe tiroir, procéder de façon inverse aux points A à D ci-avant.



RÉGLAGE DE L'ÉLECTRODE



IMPORTANT:

Il est impératif de respecter ces dimensions.

RÉGLAGE DU TURBULATEUR

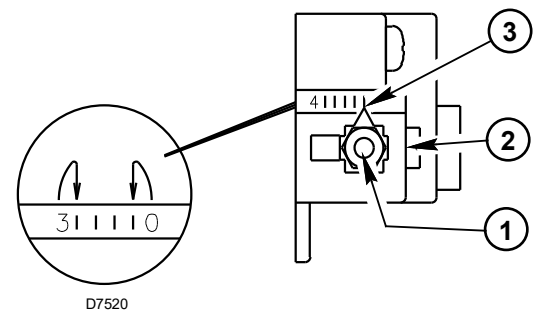
- Desserrer l'ÉCROU (1) puis tourner la VIS (2) jusqu'à ce que le POINT DE REPÈRE DE L'INDEX (3) soit aligné avec le nombre de l'index correct, tel qu'indiqué dans les tableaux de démarrage du brûleur ou des spécifications FEO fournies avec l'appareil.

- Resserrer l'ÉCROU DE RETENUE (1).

REMARQUE: Les spécifications FEO ont la priorité sur les spécifications de mise à niveau illustrées dans ce manuel.

MODÈLE F3: Zéro et trois ne sont que des indicateurs d'échelle. De gauche à droite, la première ligne est 3 et la dernière ligne 0.

MODÈLE F5: Comme ci-dessus, sauf que les indicateurs d'échelle sont 0 et 4.



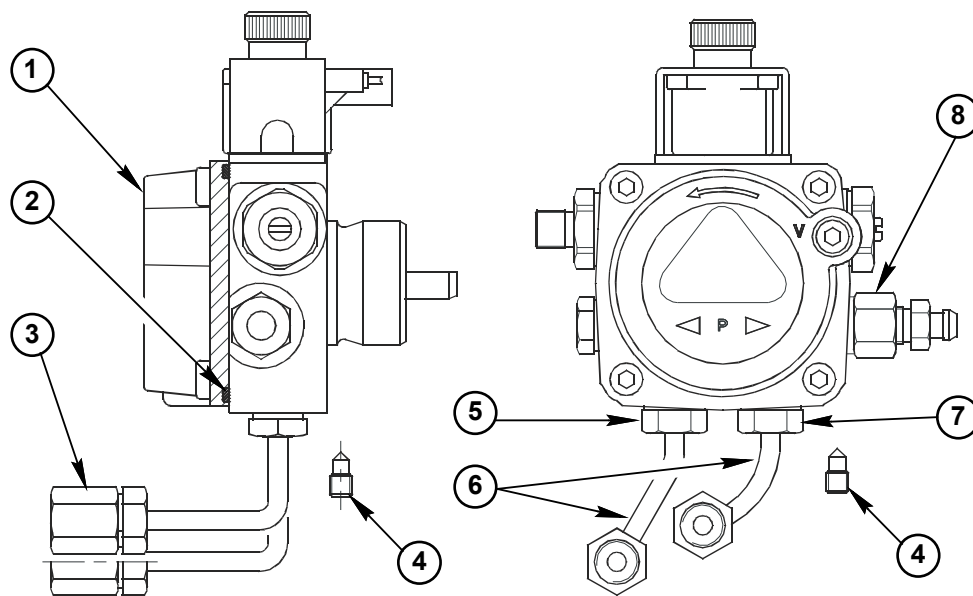
RACCORDEMENT DES TUYAUX D'HUILE

Ce brûleur est livré avec la pompe huile configurée pour travailler sur un système à **un** tuyau.

Pour le travail sur un système à **deux tuyaux**, il est nécessaire de prévoir l'installation d'un bouchon de dérivation.

ATTENTION: Ne pas actionner le système à **un** tuyau en cas d'installation de bouchon de dérivation. En effet, le fonctionnement d'un système à **un** tuyau avec bouchon de dérivation installé peut détériorer le joint de l'arbre de la pompe.

REMARQUE: La pression de la pompe doit être réglée au moment du démarrage du brûleur. Un manomètre a été installé sur le **RACCORD DE PRESSION** (8) afin de permettre la lecture de la pression. Deux **RACCORDES DE TUYAUX** (6) sont livrés avec le brûleur pour le branchement à un système à un ou deux tuyaux. Deux **ADAPTATEURS** (3), deux femelles 1/4" NPT, sont également livrés avec l'appareil afin de permettre le raccordement des tuyaux d'huiles aux connecteurs de tuyaux du brûleur. Tous les filetages de raccord de pompe sont de type **filetage parallèle anglais**. Tout raccordement de filetages NPT directement sur la pompe **détériorera** le corps de pompe. Les manomètres Riello et les vacuomètres **n'ont pas** besoin d'adaptateurs et peuvent être branchés aux raccords de la pompe en toute sécurité. Les adaptateurs NPT (métriques) **doivent** être utilisés en cas de branchement d'autres modèles de manomètre.



UN TUYAU (SYSTÈME D'ALIMENTATION PAR GRAVITÉ)

A) Le brûleur est livré déjà configuré pour un usage dans des emplois à une tuyau. Aucun changement n'est nécessaire pour l'usage dans des applications à un tuyau.

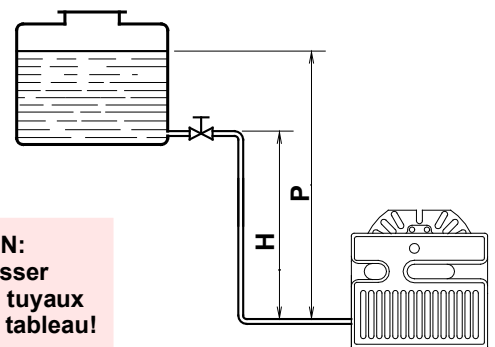
REMARQUE: Si le **capot de la pompe** (1) doit être enlevé pour une quelconque raison, s'assurer que le joint torique (2) est bien installé dans le capot de la pompe (1) avant de le remonter.

B) Brancher le connecteur de tuyau au **RACCORD D'ALIMENTATION** (5) de la pompe. Raccorder l'adaptateur NPT sur le connecteur de tuyau. Attacher le tuyau à l'adaptateur. S'assurer que le bouchon du **RACCORD DE RETOUR** (7) est serré à fond.

LONGUEURS TUYAUX SYSTÈME À UN TUYAU

H		3/8" Diam. ext.		1/2" Diam. ext.	
pi	M	pi	M	pi	M
1,5	0,5	33	10	65	20
3,0	1,0	65	20	130	40
5,0	1,5	130	40	260	80
6,5	2,0	195	60	325	100

ATTENTION:
ne pas dépasser
la longueur des tuyaux
indiquée dans le tableau!



D6009

DEUX TUYAUX (SYSTÈME DE RELEVAGE)

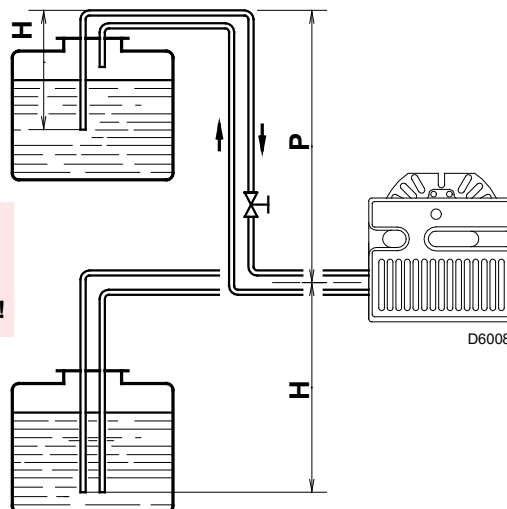
A) En cas de système à deux tuyaux requis, installer le bouchon de dérivation livré avec l'appareil. Le bouchon de dérivation est monté sur le raccord de retour de la pompe. Le bouchon de dérivation est livré avec une clé à six pans de 2,5 mm qui sert à monter le bouchon en question.

NE PAS utiliser de clé à six pans d'une autre taille : cela détériorerait le bouchon.

Sur un système à deux tuyaux, les tuyaux d'alimentation et de retour doivent être du même diamètre et **se développer sur la même longueur à l'intérieur du réservoir de combustible**. Vérifier l'absence de fuites d'air ou d'obstructions dans le circuit. La présence d'obstructions dans le tuyau de retour peut être responsable de la rupture du joint de l'arbre de la pompe.

LONGUEURS DE TUYAUX DU SYSTÈME À DEUX TUYAUX (RELEVAGE)					
H		3/8" Diam. ext.		1/2" Diam. ext.	
pi	M	pi	M	pi	M
0,0	0,0	115	35	330	100
1,5	0,5	100	30	330	100
3,0	1,0	80	25	330	100
5,0	1,5	65	20	295	90
6,5	2,0	50	15	230	70
9,5	3,0	25	8	100	30
11	3,5	20	6	65	20

ATTENTION:
ne pas dépasser
la longueur des tuyaux
indiquée dans le tableau!



Pour installer le bouchon de dérivation:

- 1) Démontez le bouchon de retour (7).
- 2) Montez le bouchon de dérivation (4) à l'aide de la clé à six pans de 2,5 mm.

B) Attachez les CONNECTEURS DE TUYAU (6) aux RACCORDS DE RETOUR ET D'ALIMENTATION de la pompe (5 et 7). Raccordez les tuyaux concernés à ces deux connecteurs de tuyau en utilisant les ADAPTATEURS MÉTRIQUES/NPT, livrés avec l'appareil.

ATTENTION:

- NE PAS utiliser de lubrifiant de tuyaux ou de rubans en téflon directement sur les raccords d'huile de la pompe à combustible.
- La hauteur « P » indiquée dans les tableaux des longueurs de tuyau ne doit pas dépasser les 13 pieds (4 m).
- Le vide ne doit pas dépasser les 11,44 pouces de mercure.

IMPORTANT:

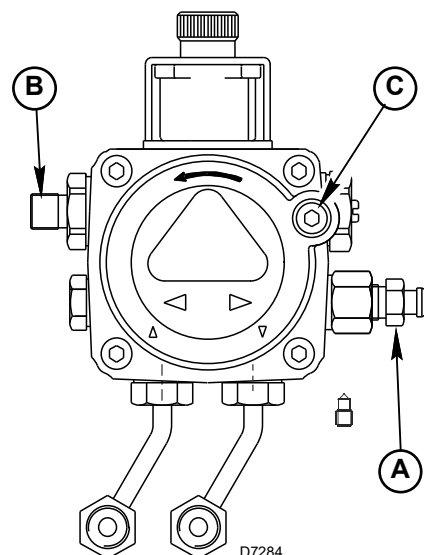
Un filtre à huile certifié, externe et approprié doit être monté sur le circuit de combustible, entre le réservoir de combustible et la pompe.

PURGE DE LA POMPE

REMARQUE: Afin de protéger les engrenages de la pompe, il est recommandé de lubrifier la pompe avant de purger le système de relevage. Huiler le RACCORD DE VIDE (C).

A) UN TUYAU (SYSTÈME D'ALIMENTATION PAR GRAVITÉ)

- Desserrer le purgeur (A) jusqu'à ce que l'huile ressorte. Serrer le purgeur à fond et démarrer le brûleur.
- En purgeant la pompe par pression :
 - 1) Desserrer le purgeur (A).
 - 2) Débrancher le tuyau d'alimentation d'huile du gicleur sur le raccord du gicleur de la pompe (B).
 - 3) Raccorder un tube flexible en plastique au gicleur de la pompe et recueillir le flux d'huile dans un seau.
 - 4) Desserrer la ou les vis solidarissant le capot du tube d'air, lui permettant ainsi de bouger librement.
 - 5) En tenant le capot du tube d'air à sa place, démarrer le brûleur.
 - 6) Une fois l'électrovanne mise en marche 10 secondes environ avant le démarrage, enlever le capot du tube d'air et allumer une source de lumière sur la capteur flamme, créant ainsi un détrompeur.



- 7) Faire marcher le brûleur jusqu'à ce que la pompe de combustible ait été purgée, puis serrer le purgeur et éteindre aussitôt le brûleur.
- 8) Réinstaller le capot du tube d'air et le tuyau du gicleur.
- 9) Le brûleur peut maintenant être démarré normalement.

ATTENTION: En cas d'omission des étapes 2 et 3, l'appareil produit de l'huile non brûlée dans la chambre de combustion, générant une situation dangereuse après le démarrage du brûleur.

B) DEUX TUYAUX (SYSTÈME DE RELEVAGE)

Éteindre la source de puissance principale du brûleur et démonter le capot du tube d'air.

Allumer une source de lumière sur le capteur flamme (maintenant visible à l'endroit où le capot du tube d'air a été démonté), remettre le brûleur sous tension et l'allumer. Une fois la source de lumière à sa place, le brûleur travaillera uniquement en pré-purge. Quand la pompe est suffisamment purgée, le clapet de ventilation hydraulique s'ouvrira.

Après avoir purgé le brûleur, éteindre la source de puissance principale du brûleur et remonter le capot du tube d'air.

Remettre le brûleur sous tension. Le brûleur est maintenant prêt à fonctionner.

ATTENTION: Il est essentiel que le tuyau de combustible soit complètement étanche et dépourvu de fuites d'air ou d'obstructions.

ATTENTION! EN CAS DE BOUCHON DE DÉRIVATION INSTALLÉ, IL EST NÉCESSAIRE D'UTILISER UN SYSTÈME À DEUX TUYAUX POUR ÉVITER LA RUPTURE DE L'ARBRE DE LA POMPE.

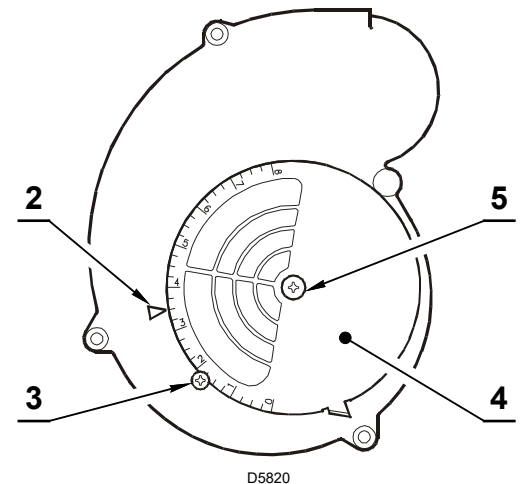
RÉGLAGE DE LA PLAQUE DE RÉGLAGE D'AIR

A) La régulation du flux d'air de combustion est effectuée en réglant la PLAQUE DE RÉGLAGE D'AIR (4) après avoir desserré les VIS DE FIXATION (3 & 5). Le réglage initial de la plaque de réglage d'air doit être effectué selon le TABLEAU DE RÉGLAGE DU BRÛLEUR.

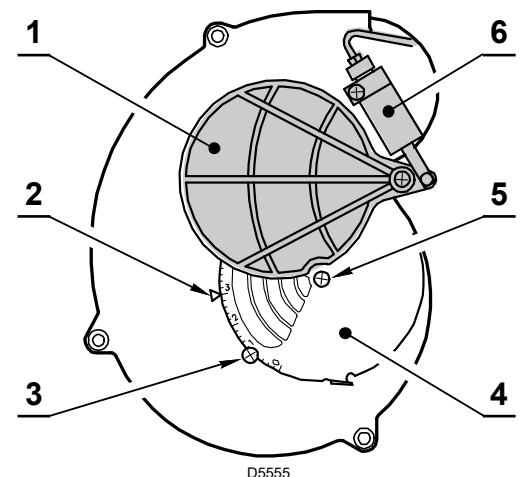
B) Le nombre correct sur la PLAQUE DE RÉGLAGE D'AIR manuelle (4) doit être conforme à l'INDICATEUR DE RÉGLAGE (2) sur le capot du logement de ventilateur. Une fois réglée, la plaque de réglage d'air doit être fixée en place en serrant les VIS DE FIXATION (3 & 5).

C) La position finale de la plaque de réglage de l'air peut varier en fonction du type d'installation. Utiliser des instruments pour établir le réglage correct pour la quantité maximale de CO₂ et un relevé de fumée de zéro.

REMARQUE: Une fois le capot remis à sa place, il peut arriver que des variations au niveau des gaz de cheminée, fumées et CO₂ et températures lues soient enregistrées. Donc, le capot de brûleur doit être en place lors de la réalisation des relevés d'instruments de combustion finaux, pour garantir des résultats de test corrects.



OPTION - pos. 1 - 6



OPTION

L'OBTURATEUR DE VENTILATION HYDRAULIQUE (1) est actionné par le VÉRIN HYDRAULIQUE (6), en assurant une ouverture complète de l'admission d'air de combustion.

Réglage de la plaque de réglage d'air: comme ci-dessus.

Ouvrir manuellement et relâcher l'OBTURATEUR DE VENTILATION HYDRAULIQUE (1) pour s'assurer qu'il bouge librement.

TABLEAU DE RÉGLAGE DU BRÛLEUR

APPLICATIONS NON DE MISE À NIVEAU

Si ce brûleur doit être installé avec un autre appareil avec lequel il est livré (comme une chaudière ou un four), il faudra suivre la notice livrée avec l'unité chauffante dans la mesure où les instructions peuvent différer de celles reportées dans ce manuel.

BRÛLEUR MODÈLE F3					
Taux d'allumage taux 5% ±	Dimensions du gicleur	Pression de la pompe		Réglage du turbulateur	Réglage du volet d'air
		US GPH	GPH		
0,50	,40 x 60°/80°	160	11,0	0,0	2,3
0,60	,50 x 60°/80°	150	10,4	0,5	2,7
0,75	,60 x 60°/80°	150	10,4	1,5	3,4
0,80	,65 x 60°/80°	150	10,4	2,0	3,6
0,95	,75 x 60°/80°	160	11,0	3,0	4,3

BRÛLEUR MODÈLE F5					
Taux d'allumage taux 5% ±	Dimensions du gicleur	Pression de la pompe		Réglage du turbulateur	Réglage du volet d'air
		US GPH	GPH		
0,75	,60 x 60/ 80°	145	10	0,0	2,25
0,85	,65 x 60/ 80°	145	10	0,5	2,5
1,00	,85 x 60/ 80°	145	10	1,0	2,75
1,10	1,00 X 60/ 80°	145	10	2,0	3,0
1,25	1,10 x 60/ 80°	145	10	2,5	3,5
1,50	1,25 x 60/ 80°	145	10	3,0	4,25
1,65	1,35 X 60/ 80°	145	10	4,0	6,0



ATTENTION

Les tableaux de réglage ci-dessus sont fournis à titre indicatif uniquement.

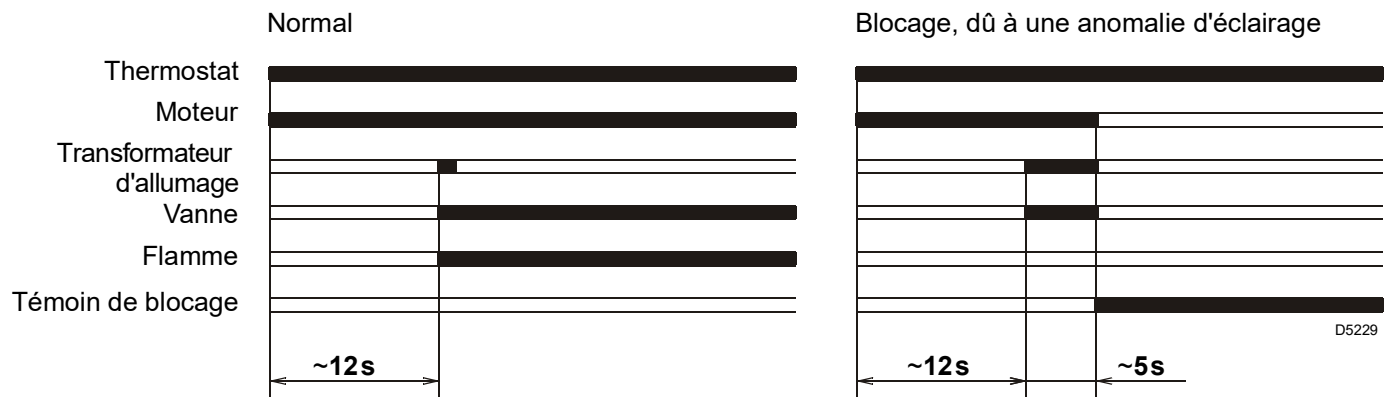
Le brûleur et l'appareil de chauffage doivent être réglés de façon appropriée, en s'aidant des équipements d'essai de combustion adéquats.

Il est possible d'utiliser toute sorte de gicleur de brûleur à huile, d'angle et de fabricant approuvée, tant que l'évaluation d'entrée de l'appareil correspond à l'entrée correcte en BTU/hr ou US gph.

CHAMBRE DE COMBUSTION

Respecter les instructions fournies par le fabricant de la chaudière/four. Adapter l'application de mise à niveau conformément aux codes d'installation appropriés (ex.: CSA B139 ou NFPA 31).

CYCLE DE DÉMARRAGE DU BRÛLEUR



CATALOGUE DES PIÈCES DÉTACHÉES

N°	CODE	F3	F5	DESCRIPTION	N°	CODE	F3	F5	DESCRIPTION
1	3020506		•	CAPOT ARRIÈRE BRÛLEUR					OPTION
1	3020508		•	CAPOT ARRIÈRE BRÛLEUR	60	3008048 C7001058	•		TUBE CAPILLAIRE
2	3006992	•	•	CONNECTEUR DE TUYAU - ALIMENTATION	60	3008049 C7001059		•	TUBE CAPILLAIRE
3	3006571	•	•	ADAPTATEUR 3/8" NPT/MÉTRIQUE - MÂLE	61	3006911	•	•	VÉRIN HYDRAULIQUE
4	3006993	•	•	CONNECTEUR DE TUYAU - RETOUR	62	3000878	•	•	CLAPET DE VENTILATION HYDRAULIQUE
5	3005847	•	•	ADAPTATEUR 1/4" NPT/MÉTRIQUE - FEMELLE	63	C7001033	•	•	AMULETTE - KIT DE MANCHON CERAFELT
6	3007077	•	•	RONDELLE MÉTALLIQUE DÉFORMABLE 3/8" ID	64	C7001084	•	•	KIT DISPOSITIF POST-PURGEAL 1009
7	3007568	•	•	PURGEUR	65	3002761	•	•	KIT D'ARRIVÉE D'AIR COMBURANT CONDUIT
8	3007028	•	•	JOINT TORIQUE - RÉGULATEUR DE PRESSION DE LA POMPE					
9	3007202	•	•	VIS DE RÉGLAGE		C7001009	•	•	BOUCHON D'ORIFICE CAPILLAIRE
10	3007162 C7010002	•	•	JOINT TORIQUE - CAPOT DE POMPE	3000932		•	•	BRIDE EN ACIER RÉGLABLE
11	3005719	•	•	ÉCRAN DE POMPE					
12	3006925	•	•	TIGE DE VANNE					
13	3007203	•	•	PLAQUE TIGE DE VANNE					
14	3007029	•	•	JOINT TORIQUE - TIGE DE SOUPE SUPÉRIEURE					
15	3007156	•	•	JOINT TORIQUE - TIGE DE SOUPE INFÉRIEURE					
16	3007268	•	•	RACCORD DE SORTIE GICLEUR					
17	3007087	•	•	RONDELLE MÉTALLIQUE DÉFORMABLE 5/8" ID					
18	3001157 C7001029	•	•	COMMANDE PRIMAIRE 530 SE/C					
19	3002278	•	•	SOUS-BASE DE COMMANDE PRIMAIRE					
20	3006553	•	•	BRIDE EN U BOBINE ET ÉCROU DE SERRAGE					
21	3002279	•	•	BOBINE					
22	3007802 C7001010	•	•	POMPE					
23	3000443	•	•	CLAVETTE DE COMMANDE POMPE					
24	3005843	•	•	MOTEUR					
25	3007315	•	•	CAPOT TUBE D'AIR					
25	3007316	•	•	CAPOT TUBE D'AIR					
26	3002280	•	•	CAPTEUR FLAMME					
27	3005854	•	•	DEMI-BRIDE (2 REQUIS)					
28	3005855	•	•	BRIDE DE MONTAGE UNIVERSELLE					
29	3020248 C6880000	•	•	JOINT DE MONTAGE					
30	3005708	•	•	VENTILATEUR					
31	20087023	•	•	CONDENSATEUR					
32	3002864 C6950050	•	•	REVÊTEMENT ACOUSTIQUE					
32	3007320	•	•	REVÊTEMENT ACOUSTIQUE					
33	3007204	•	•	VOLET D'AIR MANUEL					

CATALOGUE DES PIÈCES DÉTACHÉES

N°	CODE	F3	F5	DESCRIPTION	N°	CODE	F3	F5	DESCRIPTION
40	3948876	•		TÊTE DE COMBUSTION VSBT 3"	40	3948877	•		TÊTE DE COMBUSTION 8 7/8"
40	3948976		•	TÊTE DE COMBUSTION VSBT 3"	40	3948975		•	TÊTE DE COMBUSTION 8 7/8"
41	3006968	•		DISQUE TURBULATEUR	41	3006968	•		DISQUE TURBULATEUR
41	3006977	•		DISQUE TURBULATEUR	41	3006977	•		DISQUE TURBULATEUR
42	3006966	•	•	SUPPORT D'ÉLECTRODE	42	3006966	•	•	SUPPORT D'ÉLECTRODE
43	3006965	•	•	ADAPTEUR DE GICLEUR	43	3006965	•	•	ADAPTEUR DE GICLEUR
44	3008627	•		TUYAU D'HUILE GICLEUR	44	3008790	•		TUYAU D'HUILE GICLEUR
44	3008629		•	TUYAU D'HUILE GICLEUR	44	3008628		•	TUYAU D'HUILE GICLEUR
45	3008633		•	GROUPE RÉGULATEUR	45	3008846	•		GROUPE RÉGULATEUR
45	3008634		•	GROUPE RÉGULATEUR	45	3008635		•	GROUPE RÉGULATEUR
46	3008630	•		GROUPE ÉLECTRODE	46	3008789	•		GROUPE ÉLECTRODE
46	3008631		•	GROUPE ÉLECTRODE	46	3008632		•	GROUPE ÉLECTRODE
47	3005869	•	•	PORCELAINE D'ÉLECTRODE	47	3005869	•	•	PORCELAINE D'ÉLECTRODE
48	3008623	•		TUYAU D'AIR	48	3008788	•		TUYAU D'AIR
48	3008626		•	TUYAU D'AIR	48	3008625		•	TUYAU D'AIR
40	3948873	•		TÊTE DE COMBUSTION SBT 6" (271T)	40	3948874	•		TÊTE DE COMBUSTION LBT 10" (271T2)
40	3948973		•	TÊTE DE COMBUSTION SBT 6" (271T)	40	3948974		•	TÊTE DE COMBUSTION LBT 10" (271T2)
41	3006968	•		DISQUE TURBULATEUR	41	3006968	•		DISQUE TURBULATEUR
41	3006977	•		DISQUE TURBULATEUR	41	3006977	•		DISQUE TURBULATEUR
42	3006966	•	•	SUPPORT D'ÉLECTRODE	42	3006966	•	•	SUPPORT D'ÉLECTRODE
43	3006965	•	•	ADAPTEUR DE GICLEUR	43	3006965	•	•	ADAPTEUR DE GICLEUR
44	3006969	•		TUYAU D'HUILE GICLEUR	44	3006970	•		TUYAU D'HUILE GICLEUR
44	3006973		•	TUYAU D'HUILE GICLEUR	44	3006974		•	TUYAU D'HUILE GICLEUR
45	3006324	•		GROUPE RÉGULATEUR	45	3005867	•		GROUPE RÉGULATEUR
45	3006323		•	GROUPE RÉGULATEUR	45	3005878		•	GROUPE RÉGULATEUR
46	3006330	•		GROUPE ÉLECTRODE	46	3005870	•		GROUPE ÉLECTRODE
46	3006329		•	GROUPE ÉLECTRODE	46	3005880		•	GROUPE ÉLECTRODE
47	3005869	•	•	PORCELAINE D'ÉLECTRODE	47	3005869	•	•	PORCELAINE D'ÉLECTRODE
48	3007592	•		TUYAU D'AIR	48	3007593	•		TUYAU D'AIR
48	3007594		•	TUYAU D'AIR	48	3007595		•	TUYAU D'AIR

RAPPORT DE DÉMARRAGE DU BRÛLEUR

Numéro de modèle: _____	Numéro de série: _____
Nom du projet: _____	Date de démarrage: _____
Installateur: _____	Numéro de téléphone: _____

FONCTIONNEMENT AU FIOUL

Pression d'alimentation du fioul: _____	CO ₂ : Débit réduit _____	Haut débit _____
Pression d'aspiration du fioul: _____	O ₂ : Débit réduit _____	Haut débit _____
Alimentation du contrôle: _____	CO: Débit réduit _____	Haut débit _____
Plage de puissance du brûleur: _____	NO _x : Débit réduit _____	Haut débit _____
Signal de flamme à débit réduit: _____	Temp. nette de la cheminée - Débit réduit: _____	Haut débit _____
Signal de flamme à haut débit: _____	Comb. Rendement - débit réduit: _____	Haut débit _____
Taille du gicleur à débit réduit: _____	Tirage au-dessus du feu: _____	
Taille du gicleur à haut débit: _____	Indice de fumée: _____	

PARAMÈTRES DE CONTRÔLE

Point de consigne de fonctionnement: _____	Faible pression de fioul: _____
Point de consigne de la limite supérieure: _____	Haute pression de fioul: _____
Faible pression gaz: _____	Numéro de modèle de la surveillance de flamme: _____
Haute pression gaz: _____	Type de signal modulant: _____

REMARQUES

RIELLO

RIELLO S.p.A.
I-37045 Legnago (VR)
Tel.: +39.0442.630111
[http:// www.riello.com](http://www.riello.com)

RIELLO

35 Pond Park Road
Hingham, Massachusetts,
U.S.A. 02043

RIELLO BURNERS NORTH AMERICA

<http://www.riello.ca>

1-800-4-RIELLO

2165 Meadowpine Blvd
Mississauga, Ontario
Canada L5N 6H6