

Bruciatori di gasolio

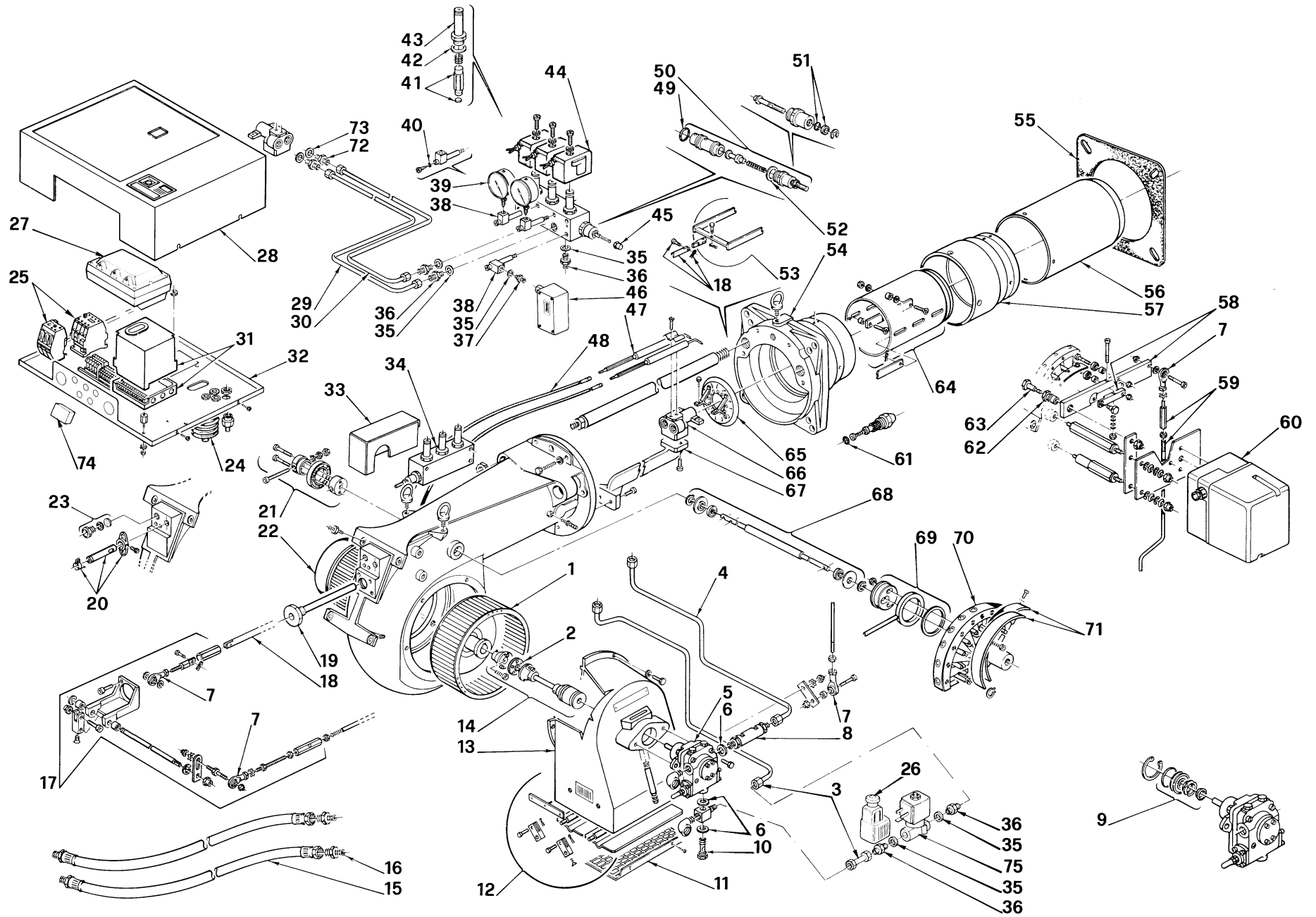
Light oil burners

Brûleurs fioul domestique

Ölbrenner

Funzionamento bistadio progressivo o modulante
Progressive two-stage or modulating operation
Fonctionnement à deux allures progressives ou modulant
Gleitend - zweistufiger oder modulierender Betrieb

COD.	MOD.	TYP.
3476867	P 140 P/G	481 M1
3476868	P 140 P/G	481 M1
3477767	P 200 P/G	482 M1
3477768	P 200 P/G	482 M1
3478941	P 300 P/G	483 M1
3478942	P 300 P/G	483 M1
3478943	P 300 P/G	483 M1
3478944	P 300 P/G	483 M1
3478945	P 300 P/G	483 M1
3478946	P 300 P/G	483 M1
3479369	P 450 P/G	484 M1
3479370	P 450 P/G	484 M1
3479371	P 450 P/G	484 M1
3479372	P 450 P/G	484 M1



N.	COD.	481 M1		482 M1		483 M1					484 M1				DESCRIZIONE	DESCRIPTION	DESCRIPTION	BESCHREIBUNG	MATRICOLA BRUCIATORE BURNER SERIAL NUMBER MATRICULE BRULEUR BRENNER KENN-NUMMER
		3476867	3476868 *	3477767	3477768 *	3478941	3478942 *	3478943	3478944 *	3478945	3478946 *	3479369	3479370 *	3479371					
1	3005508	●	●												GIRANTE	FAN	TURBINE	GEBLÄSERAD	
1	3012070			●	●										GIRANTE	FAN	TURBINE	GEBLÄSERAD	
1	3006155					●	●	●	●	●					GIRANTE	FAN	TURBINE	GEBLÄSERAD	
1	3006240										●	●	●	●	GIRANTE	FAN	TURBINE	GEBLÄSERAD	
2	3004821	●	●	●	●	●	●	●	●	●	●	●	●	●	DISCO ELASTICO	DRIVE DISC	DISQUE ELASTIQUE	KUPPLUNGSSCHEIBE	
3	3012167	●	●	●	●										TUBI	TUBES	TUYAUTERIES	DRUCKRÖHRE	
3	3012168					●	●	●	●	●					TUBI	TUBES	TUYAUTERIES	DRUCKRÖHRE	
3	3012169										●	●	●	●	TUBI	TUBES	TUYAUTERIES	DRUCKRÖHRE	
4	3003175	●	●	●	●										TUBO	TUBE	TUYAUTERIE	DRUCKROHR	
4	3003176					●	●	●	●	●					TUBO	TUBE	TUYAUTERIE	DRUCKROHR	
4	3003177										●	●	●	●	TUBO	TUBE	TUYAUTERIE	DRUCKROHR	
5	3006158	●	●	●	●										POMPA	PUMP	POMPE	PUMPE	
5	3006236					●	●	●	●	●					POMPA	PUMP	POMPE	PUMPE	
5	3006410										●	●	●	●	POMPA	PUMP	POMPE	PUMPE	
6	3007164	●	●	●	●	●	●	●	●	●	●	●	●	●	GUARNIZIONE	SEAL	RONDELLE	METALLDICHTUNG	
7	3006098	●	●	●	●	●	●	●	●	●	●	●	●	●	SNODO SFERICO	PIN JOINT	CHAPE A ROTULE	KUGELGELENK	
8	3003178	●	●	●	●	●	●	●	●	●	●	●	●	●	FILTRO	FILTER	FILTRE	FILTER	
9	3000804	●	●	●	●	●	●	●	●	●	●	●	●	●	ORGANO DI TENUTA	PUMP SEAL	ORGANE D'ETANCHEITE	WELLENDICHTUNG	
10	3006184	●	●	●	●	●	●	●	●	●	●	●	●	●	PERNO	SCREW	VIS CREUSE	HOHLKERNSCHRAUBE	
11	3003086	●	●	●	●										PROTEZIONE	GRID	PROTECTION	SCHUTZGITTER	
11	3003087					●	●	●	●	●					PROTEZIONE	GRID	PROTECTION	SCHUTZGITTER	
11	3003088										●	●	●	●	PROTEZIONE	GRID	PROTECTION	SCHUTZGITTER	
12	3003089	●	●	●	●										GRUPPO SERRANDA	AIR DAMPER ASSEMBLY	GROUPE VOLET AIR	LUFTKLAPPE	
12	3003090					●	●	●	●	●					GRUPPO SERRANDA	AIR DAMPER ASSEMBLY	GROUPE VOLET AIR	LUFTKLAPPE	
12	3003091										●	●	●	●	GRUPPO SERRANDA	AIR DAMPER ASSEMBLY	GROUPE VOLET AIR	LUFTKLAPPE	
13	3003180	●	●	●	●										BOCCA D'ASPIRAZIONE	AIR INTAKE	BOITIER D'ASPIRATION	ANSAUGÖFFNUNG	
13	3003181					●	●	●	●	●					BOCCA D'ASPIRAZIONE	AIR INTAKE	BOITIER D'ASPIRATION	ANSAUGÖFFNUNG	
13	3003182										●	●	●	●	BOCCA D'ASPIRAZIONE	AIR INTAKE	BOITIER D'ASPIRATION	ANSAUGÖFFNUNG	
14	3000740	●	●	●	●										GRUPPO GIUNZIONE	DRIVE COUPLING	ACCOUPEMENT	KUPPLUNG	
14	3000739					●	●	●	●	●					GRUPPO GIUNZIONE	DRIVE COUPLING	ACCOUPEMENT	KUPPLUNG	
14	3000741										●	●	●	●	GRUPPO GIUNZIONE	DRIVE COUPLING	ACCOUPEMENT	KUPPLUNG	
15	3006182	●	●	●	●	●	●	●	●	●	●	●	●	●	TUBO FLESSIBILE	FLEXIBLE OIL LINE	FLEXIBLE	SCHLAUCH	
16	3006181	●	●	●	●	●	●	●	●	●	●	●	●	●	RACCORDO	CONNECTOR	MAMELON	NIPPEL	
17	3003092	●	●	●	●	●	●	●	●	●	●	●	●	●	GRUPPO DI TRASCINAMENTO	MODULATION LINKAGE	SYSTEM DE TRANSLATION	VORSCHUBSYSTEM	
18	3003183	●	●	●	●										ASTA	SLIDE BAR	TIGE	STANGE	
18	3003184					●	●	●	●	●					ASTA	SLIDE BAR	TIGE	STANGE	
18	3003185										●	●	●	●	ASTA	SLIDE BAR	TIGE	STANGE	
19	3003093	●	●	●	●	●	●	●	●	●	●	●	●	●	GUIDA	GUIDA	GUIDE	GLEITFÜHRUNG	
20	3006216	●	●	●	●	●	●	●	●	●	●	●	●	●	FOTORESISTENZA	P.E. CELL	CELLULE	FOTOWIDERSTAND	
21	3003186	●	●	●	●	●	●	●	●	●	●	●	●	●	CUSCINETTO	BEARING	ROULEMENT	LAGER	
22	3008408	●	●												MOTORE 230V	MOTOR 230V	MOTEUR 230V	MOTOR 230V	
22	3005215			●	●										MOTORE 230V	MOTOR 230V	MOTEUR 230V	MOTOR 230V	
22	3008421					●	●	●							MOTORE 230/400V	MOTOR 230/400V	MOTEUR 230/400V	MOTOR 230/400V	
22	3008422								●	●					MOTORE 400V	MOTOR 400V	MOTEUR 400V	MOTOR 400V	

* = Versione Testa Lunga - Long Combustion Head Version - Version Tête Longue - Langer Brennkopf Ausführung

N.	COD.	481 M1		482 M1		483 M1					484 M1				DESCRIZIONE	DESCRIPTION	DESCRIPTION	BESCHREIBUNG	MATRICOLA BRUCIATORE BURNER SERIAL NUMBER MATRICULE BRULEUR BRENNER KENN-NUMMER
		3476867	3476868 *	3477767	3477768 *	3478941	3478942 *	3478943	3478944 *	3478945	3478946 *	3479369	3479370 *	3479371					
22	3006250														MOTORE 230V	MOTOR 230V	MOTEUR 230V	MOTOR 230V	
22	3006251														MOTORE 400V	MOTOR 400V	MOTEUR 400V	MOTOR 400V	
23	3003097	•	•	•	•	•	•	•	•	•	•	•	•	•	VETRINO	VIEWING PORT	REGARD	SCHAUGLAS	
24	3003149	•	•	•	•	•	•	•	•	•	•	•	•	•	CUFFIA	COWLING	PROTECTION CAOUTCHOUC	SCHUTZ	
25	3012363	•	•												RELE' TERMICO+CONTATT.	OVERLOAD+CONTACTOR	RELAIS THERMIQUE+CONTACTEUR	ÜBERSTROMAUSLÖSER +SCHÜTZ	≥ 02127000157
25	3003621			•	•										RELE' TERMICO+CONTATT.	OVERLOAD+CONTACTOR	RELAIS THERMIQUE+CONTACTEUR	ÜBERSTROMAUSLÖSER +SCHÜTZ	≥ 02127000157
25	3012361					•	•								RELE' TERMICO+CONTATT.	OVERLOAD+CONTACTOR	RELAIS THERMIQUE+CONTACTEUR	ÜBERSTROMAUSLÖSER +SCHÜTZ	≥ 02127000157
26	3012166	•	•	•	•										PRESA	SOCKET	PRISE	STECKERBUCHSE	
26	3012194					•	•	•	•	•	•	•	•	•	PRESA	SOCKET	PRISE	STECKERBUCHSE	
27	3012164	•	•	•	•	•	•	•	•	•	•	•	•	•	TRASFORMATORE	TRANSFORMER	TRANSFORMATEUR	ZÜNDTRANSFORMATOR	
28	3003100	•	•	•	•	•	•	•	•	•	•	•	•	•	COPERCHIO	COVER	COUVERCLE	DECKEL	
29	3003187	•		•											TUBO	TUBE	TUYAUTERIE	DRUCKROHR	
29	3003188		•		•										TUBO	TUBE	TUYAUTERIE	DRUCKROHR	
29	3003189					•	•		•						TUBO	TUBE	TUYAUTERIE	DRUCKROHR	
29	3003190						•		•						TUBO	TUBE	TUYAUTERIE	DRUCKROHR	
29	3003191									•			•		TUBO	TUBE	TUYAUTERIE	DRUCKROHR	
29	3003192										•		•		TUBO	TUBE	TUYAUTERIE	DRUCKROHR	
30	3003193	•		•											TUBO	TUBE	TUYAUTERIE	DRUCKROHR	
30	3003194		•		•										TUBO	TUBE	TUYAUTERIE	DRUCKROHR	
30	3003195					•	•		•						TUBO	TUBE	TUYAUTERIE	DRUCKROHR	
30	3003196						•		•						TUBO	TUBE	TUYAUTERIE	DRUCKROHR	
30	3003197									•			•		TUBO	TUBE	TUYAUTERIE	DRUCKROHR	
30	3003198										•		•		TUBO	TUBE	TUYAUTERIE	DRUCKROHR	
31	3006215	•	•	•	•	•	•	•	•	•	•	•	•	•	APPARECCHIATURA	CONTROL BOX	BOITE DE CONTROLE	STEUERGERÄT	
32	3003098	•	•	•	•	•	•	•	•	•	•	•	•	•	MENSOLA	BASE PLATE	PLAQUE DE SUPPORT	GRUNDPLATTE	
33	3003199	•	•	•	•	•	•	•	•	•	•	•	•	•	CARTER	CRANKCASE	CACHE	ABDECKUNG	
34	3006227	•	•	•	•	•	•	•	•	•	•	•	•	•	MODULATORE	MODULATOR	MODULATEUR	MODULATOR	
35	3007079	•	•	•	•	•	•	•	•	•	•	•	•	•	GUARNIZIONE	SEAL	RONDELLE	METALLDICHTUNG	
36	3009081	•	•	•	•	•	•	•	•	•	•	•	•	•	RACCORDO	CONNECTOR	MAMELON	NIPPEL	
37	3009075	•	•	•	•	•	•	•	•	•	•	•	•	•	RACCORDO	CONNECTOR	MAMELON	NIPPEL	
38	3006540	•	•	•	•	•	•	•	•	•	•	•	•	•	VALVOLA	NEEDLE VALVE	ROBINET POINTEAU	NADELVENTIL	
39	3006140	•	•	•	•	•	•	•	•	•	•	•	•	•	MANOMETRO	PRESSURE GAUGE	MANOMETRE	MANOMETER	
40	3007169	•	•	•	•	•	•	•	•	•	•	•	•	•	ANELLO OR	O RING	JOINT TORIQUE	O-RING	
41	3006108	•	•	•	•	•	•	•	•	•	•	•	•	•	NUCLEO	ARMATURE	NOYAU E.V.	SPULENKERN	
42	3007081	•	•	•	•	•	•	•	•	•	•	•	•	•	GUARNIZIONE	SEAL	RONDELLE	METALLDICHTUNG	
43	3005392	•	•	•	•	•	•	•	•	•	•	•	•	•	GUAINA	ARMATURE SLEEVE	GAIN E.V.	MV-HÜLSE	
44	3003001	•	•	•	•	•	•	•	•	•	•	•	•	•	BOBINA	COIL	BOBINE E.V.	MV-SPULE	
45	3003200	•	•	•	•	•	•	•	•	•	•	•	•	•	DADO	NUT	ECROU BORGNE	MUTTER	
46	3010056	•	•	•	•	•	•	•	•	•	•	•	•	•	PRESSOSTATO	PRESSURE SWITCH	PRESSOSTAT	PRESSOSTAT	
47	3006178	•	•	•	•	•	•	•	•	•	•	•	•	•	ELETTRODO CORTO	SHORT ELECTRODE	ELECTRODE COURTE	KURZE ELEKTRODE	
47	3006179	•	•	•	•	•	•	•	•	•	•	•	•	•	ELETTRODO LUNGO	LONG ELECTRODE	ELECTRODE LONGUE	LANGE ELEKTRODE	
48	3012163	•	•	•	•	•	•	•	•	•	•	•	•	•	COLLEGAMENTO	H.T. LEAD	CABLE H.T.	ZÜNDKABEL	
49	3003201	•	•	•	•	•	•	•	•	•	•	•	•	•	ANELLO OR	O RING	JOINT TORIQUE	O-RING	
50	3003202	•	•	•	•	•	•	•	•	•	•	•	•	•	GRUPPO REGOLATORE	CONTROL DEVICE	GROUPE OBTURATION	DRUCKREGULIERUNG	

* = Versione Testa Lunga - Long Combustion Head Version - Version Tête Longue - Langer Brennkopf Ausführung

N.	COD.	481 M1		482 M1		483 M1					484 M1				DESCRIZIONE	DESCRIPTION	DESCRIPTION	BESCHREIBUNG	MATRICOLA BRUCIATORE BURNER SERIAL NUMBER MATRICULE BRULEUR BRENNER KENN-NUMMER
		3476867	3476868 *	3477767	3477768 *	3478941	3478942 *	3478943	3478944 *	3478945	3478946 *	3479369	3479370 *	3479371					
51	3003203	●	●	●	●	●	●	●	●	●	●	●	●	●	ANELLI	RINGS	ANNEAUX	RINGE	
52	3003204	●	●	●	●	●	●	●	●	●	●	●	●	●	GUARNIZIONE	SEAL	RONDELLE	METALLDICHTUNG	
53	3003205	●	●												GRUPPO AVANZAMENTO	ADJUSTMENT ASSEMBLY	GROUPE ENTRAINEMENT	VORSCHUB HEBELSYSTEM	
53	3003206			●	●										GRUPPO AVANZAMENTO	ADJUSTMENT ASSEMBLY	GROUPE ENTRAINEMENT	VORSCHUB HEBELSYSTEM	
53	3003207					●	●	●	●	●					GRUPPO AVANZAMENTO	ADJUSTMENT ASSEMBLY	GROUPE ENTRAINEMENT	VORSCHUB HEBELSYSTEM	
53	3003208										●	●	●	●	GRUPPO AVANZAMENTO	ADJUSTMENT ASSEMBLY	GROUPE ENTRAINEMENT	VORSCHUB HEBELSYSTEM	
54	3006170	●	●												BOCCAGLIO	BLAST TUBE	GUEULARD	BRENNERFLANSCH	
54	3006189			●	●										BOCCAGLIO	BLAST TUBE	GUEULARD	BRENNERFLANSCH	
54	3006203					●	●	●	●	●					BOCCAGLIO	BLAST TUBE	GUEULARD	BRENNERFLANSCH	
54	3006242										●	●	●	●	BOCCAGLIO	BLAST TUBE	GUEULARD	BRENNERFLANSCH	
55	3006180	●	●	●	●										SCHERMO	FLANGE GASKET	ECRAN THERMIQUE	FLANSCHDICHTUNG	
55	3006210					●	●	●	●	●					SCHERMO	FLANGE GASKET	ECRAN THERMIQUE	FLANSCHDICHTUNG	
55	3006244										●	●	●	●	SCHERMO	FLANGE GASKET	ECRAN THERMIQUE	FLANSCHDICHTUNG	
56	3006229	●	●												IMBUTO FIAMMA	END CONE	EMBOUT GUEULARD	FLAMMENROHR	
56	3006233			●	●										IMBUTO FIAMMA	END CONE	EMBOUT GUEULARD	FLAMMENROHR	
56	3006237					●	●	●	●	●					IMBUTO FIAMMA	END CONE	EMBOUT GUEULARD	FLAMMENROHR	
56	3006243										●	●	●	●	IMBUTO FIAMMA	END CONE	EMBOUT GUEULARD	FLAMMENROHR	
57	3006175		●												PROLUNGA	BLAST TUBE	RALLONGE	VERLÄNGERUNG	
57	3006193				●										PROLUNGA	BLAST TUBE	RALLONGE	VERLÄNGERUNG	
57	3006207					●		●		●					PROLUNGA	BLAST TUBE	RALLONGE	VERLÄNGERUNG	
57	3006245											●	●	●	PROLUNGA	BLAST TUBE	RALLONGE	VERLÄNGERUNG	
58	3003145	●	●	●	●	●	●	●	●	●	●	●	●	●	LEVISMO	LIFTING ASSEMBLY	LEVIER DE TRANSMISSION	HEBELSYSTEM	
59	3003146	●	●	●	●										TIRANTE	TIE ROD	TIRANT	GESTÄNGE	
59	3003147					●	●	●	●	●					TIRANTE	TIE ROD	TIRANT	GESTÄNGE	
59	3003148										●	●	●	●	TIRANTE	TIE ROD	TIRANT	GESTÄNGE	
60	3006092	●	●	●	●	●	●	●	●	●	●	●	●	●	SERVOMOTORE	SERVOMOTOR	SERVOMOTEUR	STELLMOTOR	
61	3007168	●	●	●	●	●	●	●	●	●	●	●	●	●	ANELLO	PISTON SEAL	JOINT TORIQUE	LIPPENDICHTUNG	
62	3003143	●	●	●	●	●	●	●	●	●	●	●	●	●	VITE	SCREW	VIS	SCHRAUBE	
63	3003144	●	●	●	●	●	●	●	●	●	●	●	●	●	RACCORDO	CONNECTOR	MAMELON	NIPPEL	
64	3003209	●													CILINDRO CORTO	SHORT SLEEVE	CYLINDRE COURT	KURZER ZYLINDER	
64	3003210		●												CILINDRO LUNGO	LONG SLEEVE	CYLINDRE LONG	LANGER ZYLINDER	
64	3003211			●											CILINDRO CORTO	SHORT SLEEVE	CYLINDRE COURT	KURZER ZYLINDER	
64	3003212				●										CILINDRO LUNGO	LONG SLEEVE	CYLINDRE LONG	LANGER ZYLINDER	
64	3003213					●		●		●					CILINDRO CORTO	SHORT SLEEVE	CYLINDRE COURT	KURZER ZYLINDER	
64	3003214						●		●						CILINDRO LUNGO	LONG SLEEVE	CYLINDRE LONG	LANGER ZYLINDER	
64	3003215									●		●			CILINDRO CORTO	SHORT SLEEVE	CYLINDRE COURT	KURZER ZYLINDER	
64	3003216										●	●			CILINDRO LUNGO	LONG SLEEVE	CYLINDRE LONG	LANGER ZYLINDER	
65	3006219	●	●												ELICA	DIFFUSER DISC	ACCROCHE FLAMME	STAUSCHEIBE	
65	3006223			●	●										ELICA	DIFFUSER DISC	ACCROCHE FLAMME	STAUSCHEIBE	
65	3006224					●	●	●	●	●					ELICA	DIFFUSER DISC	ACCROCHE FLAMME	STAUSCHEIBE	
65	3006241										●	●	●	●	ELICA	DIFFUSER DISC	ACCROCHE FLAMME	STAUSCHEIBE	
66	3006228	●	●	●	●	●	●	●	●	●	●	●	●	●	POLVERIZZATORE	NOZZLE HOLDER	PULVERISATEUR	DÜSENSTOCK	
67	3006196	●		●											STAFFA CORTA	SHORT BRACKET	SUPPORT COURT	KURZER HALTERUNG	

* = Versione Testa Lunga - Long Combustion Head Version - Version Tête Longue - Langer Brennkopf Ausführung

N.	COD.	481 M1	482 M1	483 M1					484 M1				DESCRIZIONE	DESCRIPTION	DESCRIPTION	BESCHREIBUNG	MATRICOLA BRUCIATORE BURNER SERIAL NUMBER MATRICULE BRULEUR BRENNER KENN-NUMMER	
		3476867	3476868 *	3477767	3477768 *	3478941	3478942 *	3478943	3478944 *	3478945	3478946 *	3479369						3479370 *
67	3006198		•		•									STAFFA LUNGA	LONG BRACKET	SUPPORT LONG	LANGE HALTERUNG	
67	3006197					•		•		•				STAFFA CORTA	SHORT BRACKET	SUPPORT COURT	KURZER HALTERUNG	
67	3006199						•		•					STAFFA LUNGA	LONG BRACKET	SUPPORT LONG	LANGE HALTERUNG	
67	3006248										•		•	STAFFA CORTA	SHORT BRACKET	SUPPORT COURT	KURZER HALTERUNG	
67	3006249											•	•	STAFFA LUNGA	LONG BRACKET	SUPPORT LONG	LANGE HALTERUNG	
68	3003217	•	•	•	•									ALBERO	SHAFT	ARBRE	WELLE	
68	3003218					•	•	•	•	•				ALBERO	SHAFT	ARBRE	WELLE	
68	3003219										•	•	•	ALBERO	SHAFT	ARBRE	WELLE	
69	3003140	•	•	•	•									BIELLA	LINKAGE	BIELLETTTE	PLEUEL	
69	3003141					•	•	•	•	•				BIELLA	LINKAGE	BIELLETTTE	PLEUEL	
69	3003142										•	•	•	BIELLA	LINKAGE	BIELLETTTE	PLEUEL	
70	3006093	•	•	•	•	•	•	•	•	•	•	•	•	CAMMA COMPLETA	CAM ASSEMBLY	CAME COMPLETE	VERBUNDREGLER	
71	3006097	•	•	•	•	•	•	•	•	•	•	•	•	MOLLA	FLAT SPRING	RESSORT PLAT	KURVENBAND	
72	3003220	•	•	•	•	•	•	•	•	•	•	•	•	RACCORDO	CONNECTOR	MAMELON	NIPPEL	
73	3007166	•	•	•	•	•	•	•	•	•	•	•	•	GUARNIZIONE	SEAL	RONDELLE	METALLDICHTUNG	
74	3012161	•	•	•	•	•	•	•	•	•	•	•	•	FILTRO ANTIDISTURBO	DEGLITCHER	FILTRE	ENTSTÖRER	
75	3012165	•	•	•	•	•	•	•	•	•	•	•	•	VALVOLA	SOLENOID VALVE	ELECTRO-VANNE	MAGNETVENTIL	

* = Versione Testa Lunga - Long Combustion Head Version - Version Tête Longue - Langer Brennkopf Ausführung



RIELLO S.p.A.
Via degli Alpini 1
I - 37045 Legnago (VR)
Tel.: +39.0442.630111 Fax: +39.0442.630375
[http:// www.rielloburners.com](http://www.rielloburners.com)