

GB Forced draught gas burner

One-stage operation



| CODE | MODEL | TYPE |
|---------|---------------|------|
| 3756606 | RIELLO 40 FS5 | 566M |



Translation of the original instructions

| | | |
|----------|---|-----------|
| 1 | Information and general warnings..... | 3 |
| 1.1 | Information about the instruction manual | 3 |
| 1.1.1 | Introduction..... | 3 |
| 1.1.2 | General dangers..... | 3 |
| 1.1.3 | Other symbols | 3 |
| 1.1.4 | Delivery of the system and the instruction manual | 4 |
| 1.2 | Guarantee and responsibility..... | 4 |
| 2 | Safety and prevention..... | 5 |
| 2.1 | Introduction..... | 5 |
| 2.2 | Personnel training | 5 |
| 3 | Technical description of the burner | 6 |
| 3.1 | Burner designation | 6 |
| 3.2 | Models available..... | 6 |
| 3.3 | Burner categories - Countries of destination | 6 |
| 3.4 | Technical data | 7 |
| 3.5 | Maximum dimensions..... | 7 |
| 3.6 | Firing rate | 8 |
| 3.6.1 | Test boiler..... | 8 |
| 3.6.2 | Commercial boilers..... | 8 |
| 3.7 | Correlation between gas pressure and burner output | 8 |
| 3.8 | Burner description | 9 |
| 3.9 | Burner equipment..... | 9 |
| 3.10 | Flame control..... | 10 |
| 4 | Installation | 11 |
| 4.1 | Notes on safety for the installation | 11 |
| 4.2 | Instructions to avoid burnout or bad combustion of the burner | 11 |
| 4.3 | Handling | 11 |
| 4.4 | Preliminary checks | 12 |
| 4.4.1 | Control of the supply | 12 |
| 4.4.2 | Control of burner characteristics | 12 |
| 4.5 | Operating position | 12 |
| 4.6 | Securing the burner to the boiler | 13 |
| 4.6.1 | Hinge installation | 13 |
| 4.7 | Positioning the probe - electrode..... | 13 |
| 4.8 | Combustion head adjustment..... | 14 |
| 4.9 | Gas feeding | 15 |
| 4.9.1 | Gas feeding line | 15 |
| 4.9.2 | Gas train | 15 |
| 4.9.3 | Gas train installation..... | 16 |
| 4.10 | Electrical wiring | 17 |
| 4.10.1 | Notes on safety for the electrical wiring..... | 17 |
| 4.10.2 | Flame control..... | 17 |
| 4.10.3 | Electrical diagram..... | 18 |
| 4.11 | Operating programme | 19 |
| 4.12 | Table of times..... | 20 |
| 4.12.1 | Operations status indication | 20 |
| 4.12.2 | Fault diagnostics - lockouts | 21 |
| 4.12.3 | Checking the gas pressure switch..... | 22 |
| 4.12.4 | Checking the air pressure switch | 22 |
| 4.12.5 | Shut-down test | 22 |
| 4.12.6 | Intermittent operation | 22 |
| 4.12.7 | Recycle and limit of repetitions..... | 22 |
| 4.12.8 | Presence of an extraneous light or parasite flame | 22 |
| 4.12.9 | Duration of ignition transformer discharge | 23 |
| 4.12.10 | Reset by button and remotely of the burner | 23 |
| 4.12.11 | Protection reset | 23 |
| 4.12.12 | Reset push-button anomaly | 23 |
| 4.12.13 | External lockout signal (S3)..... | 23 |
| 4.12.14 | Hour counter functioning (B4) | 23 |
| 4.12.15 | Monitoring the power supply voltage | 23 |
| 4.12.16 | Frequency supply error | 23 |
| 4.12.17 | Internal voltage anomaly | 23 |

| | | |
|----------|---|-----------|
| 4.12.18 | Checking the fan motor | 23 |
| 4.12.19 | Checking the faults of the gas valve and the motor | 24 |
| 4.12.20 | EEPROM check..... | 24 |
| 4.12.21 | Ionisation current | 24 |
| 4.12.22 | Post-purging..... | 24 |
| 4.12.23 | Continuous purging | 24 |
| 4.12.24 | Lockout log..... | 25 |
| 4.12.25 | Logging of burner operating parameters..... | 25 |
| 4.12.26 | Admissible lengths of the external connections to the burner | 25 |
| 4.12.27 | Long pre-purging..... | 25 |
| 4.13 | Programming menu | 26 |
| 4.13.1 | General notes | 26 |
| 4.13.2 | Block diagram for entering the menu | 26 |
| 4.13.3 | Shutdown test | 27 |
| 4.13.4 | Post-purging and continuous purging | 27 |
| 4.13.5 | Intermittent operation | 27 |
| 4.13.6 | Setting a long pre-purging..... | 27 |
| 4.13.7 | Displaying the lockout log | 28 |
| 4.13.8 | Resetting the programming menu parameters and the lockout log | 28 |
| 4.14 | Lockout types | 29 |
| 5 | Start-up, calibration and operation of the burner | 30 |
| 5.1 | Notes on safety for the first start-up..... | 30 |
| 5.2 | Adjustments prior to ignition..... | 30 |
| 5.3 | Combustion adjustment | 30 |
| 5.4 | Air pressure switch..... | 30 |
| 6 | Maintenance | 31 |
| 6.1 | Notes on safety for the maintenance | 31 |
| 6.2 | Maintenance programme | 31 |
| 6.2.1 | Maintenance frequency..... | 31 |
| 6.2.2 | Safety test - with gas ball valve closed | 31 |
| 6.2.3 | Checking and cleaning..... | 31 |
| 6.2.4 | Safety components | 32 |
| 6.3 | Opening the burner | 33 |
| 7 | Faults - Possible causes - Solutions | 34 |
| 7.1 | Start-up problems | 34 |
| 7.2 | Operating faults..... | 35 |
| A | Appendix - Accessories | 36 |

1 Information and general warnings

1.1 Information about the instruction manual

1.1.1 Introduction

The instruction manual supplied with the burner:

- is an integral and essential part of the product and must not be separated from it; it must therefore be kept carefully for any necessary consultation and must accompany the burner even if it is transferred to another owner or user, or to another system. If the manual is lost or damaged, another copy must be requested from the Technical Assistance Service of the area;
- is designed for use by qualified personnel;
- offers important indications and instructions relating to the installation safety, start-up, use and maintenance of the burner.

Symbols used in the manual

In some parts of the manual you will see triangular DANGER signs. Pay great attention to these, as they indicate a situation of potential danger.

1.1.2 General dangers

The **dangers** can be of **3 levels**, as indicated below.



Maximum danger level!
This symbol indicates operations which, if not carried out correctly, cause serious injury, death or long-term health risks.



This symbol indicates operations which, if not carried out correctly, may cause serious injury, death or long-term health risks.



This symbol indicates operations which, if not carried out correctly, may cause damage to the machine and/or injury to people.

1.1.3 Other symbols



DANGER: LIVE COMPONENTS
This symbol indicates operations which, if not carried out correctly, lead to electric shocks with lethal consequences.



DANGER: FLAMMABLE MATERIAL
This symbol indicates the presence of flammable materials.



DANGER: BURNING
This symbol indicates the risks of burns due to high temperatures.



DANGER: CRUSHING OF LIMBS
This symbol indicates the presence of moving parts: danger of crushing of limbs.



WARNING: MOVING PARTS

This symbol indicates that you must keep limbs away from moving mechanical parts; danger of crushing.



DANGER: EXPLOSION

This symbol signals places where an explosive atmosphere may be present. An explosive atmosphere is defined as a mixture - under atmospheric conditions - of air and flammable substances in the form of gases, vapours, mist or dust in which, after ignition has occurred, combustion spreads to the entire unburned mixture.



PERSONAL PROTECTION EQUIPMENT

These symbols indicate the equipment that must be worn and kept by the operator for protection against threats against safety and/or health while at work.



OBLIGATION TO ASSEMBLE THE COVER AND ALL THE SAFETY AND PROTECTION DEVICES

This symbol signals the obligation to reassemble the cover and all the safety and protection devices of the burner after any maintenance, cleaning or checking operations.



ENVIRONMENTAL PROTECTION

This symbol gives indications for the use of the machine with respect for the environment.



IMPORTANT INFORMATION

This symbol indicates important information that you must bear in mind.

- This symbol indicates a list.

Abbreviations used

| | |
|------|---------|
| Ch. | Chapter |
| Fig. | Figure |
| Pag. | Page |
| Sec. | Section |
| Tab. | Table |

1.1.4 Delivery of the system and the instruction manual

When the system is delivered, it is important that:

- The instruction manual is delivered to the user by the system manufacturer, with the recommendation to keep it in the room where the heat generator is to be installed.
- The instruction manual shows:
 - the serial number of the burner;

.....

- the address and telephone number of the nearest Assistance Centre

.....

- The system supplier must carefully inform the user about:
 - the use of the system;
 - any further tests that may be required before activating the system;
 - maintenance, and the need to have the system checked at least once a year by a representative of the manufacturer or another specialised technician. To ensure a periodic check, the manufacturer recommends the drawing up of a Maintenance Contract.

1.2 Guarantee and responsibility

The manufacturer guarantees its new products from the date of installation, in accordance with the regulations in force and/or the sales contract. At the moment of the first start-up, check that the burner is integral and complete.



WARNING

Failure to observe the information given in this manual, operating negligence, incorrect installation and carrying out of non authorised modifications will result in the annulment by the manufacturer of the guarantee that it supplies with the burner.

In particular, the rights to the guarantee and the responsibility will no longer be valid, in the event of damage to things or injury to people, if such damage/injury was due to any of the following causes:

- incorrect installation, start-up, use and maintenance of the burner;
- improper, incorrect or unreasonable use of the burner;
- intervention of unqualified personnel;
- carrying out of unauthorised modifications on the equipment;
- use of the burner with safety devices that are faulty, incorrectly applied and/or not working;
- installation of untested supplementary components on the burner;
- powering of the burner with unsuitable fuels;
- faults in the fuel supply system;
- continuation of use of the burner when a fault has occurred;
- repairs and/or overhauls incorrectly carried out;
- modification of the combustion chamber with inserts that prevent the regular development of the structurally established flame;
- insufficient and inappropriate surveillance and care of those burner components most likely to be subject to wear and tear;
- use of non-original components, including spare parts, kits, accessories and optional;
- force majeure.

The manufacturer furthermore declines any and every responsibility for the failure to observe the contents of this manual.

2 Safety and prevention

2.1 Introduction

The burners have been designed and built in compliance with current regulations and directives, applying the known technical rules of safety and envisaging all the potential danger situations. It is necessary, however, to bear in mind that the imprudent and clumsy use of the equipment may lead to situations of death risk for the user or third parties, as well as the damaging of the burner or other items. Inattention, thoughtlessness and excessive confidence often cause accidents; the same applies to tiredness and sleepiness.

It is a good idea to remember the following:

- The burner must only be used as expressly described. Any other use should be considered improper and therefore dangerous.

In particular:

it can be applied to boilers operating with water, steam, diathermic oil, and to other uses expressly foreseen by the manufacturer;

the type and pressure of the fuel, the voltage and frequency of the electrical power supply, the minimum and maximum deliveries for which the burner has been regulated, the pressurisation of the combustion chamber, the dimensions of the combustion chamber and the room temperature must all be within the values indicated in the instruction manual.

- Modification of the burner to alter its performance and destinations is not allowed.
- The burner must be used in exemplary technical safety conditions. Any disturbances that could compromise safety must be quickly eliminated.
- Opening or tampering with the burner components is not allowed, apart from the parts requiring maintenance.
- Only those parts envisaged by the manufacturer can be replaced.



The manufacturer guarantees safety and proper functioning only if all burner components are intact and positioned correctly.

2.2 Personnel training

The user is the person, body or company that has acquired the machine and intends to use it for the specific purpose. He is responsible for the machine and for the training of the people working around it.

The user:

- undertakes to entrust the machine exclusively to suitably trained and qualified personnel;
- undertakes to inform his personnel in a suitable way about the application and observance of the safety instructions. With that aim, he undertakes to ensure that everyone knows the use and safety instructions for his own duties.
- Personnel must observe all the danger and caution indications shown on the machine.
- Personnel must not carry out, on their own initiative, operations or interventions that are not within their province.
- Personnel must inform their superiors of every problem or dangerous situation that may arise.
- The assembly of parts of other makes, or any modifications, can alter the characteristics of the machine and hence compromise operating safety. The manufacturer therefore declines any and every responsibility for any damage that may be caused by the use of non-original parts.

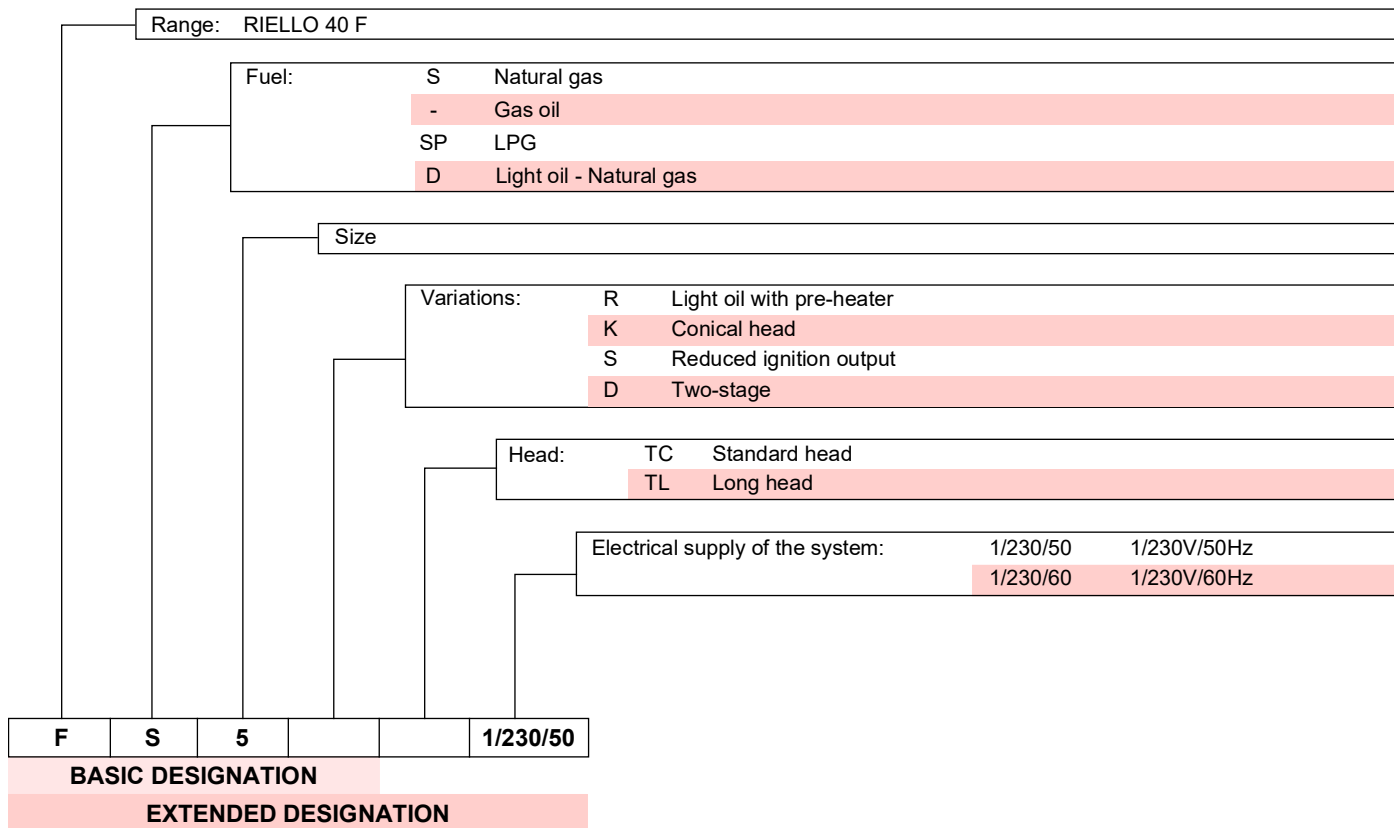
In addition:



- must take all the measures necessary to prevent unauthorised people gaining access to the machine;
- the user must inform the manufacturer if faults or malfunctioning of the accident prevention systems are noticed, along with any presumed danger situation;
- personnel must always use the personal protective equipment envisaged by legislation and follow the indications given in this manual.

3 Technical description of the burner

3.1 Burner designation



3.2 Models available

| Designation | Voltage | Code |
|---------------|----------|---------|
| RIELLO 40 FS5 | 1/230/50 | 3756606 |

Tab. A

3.3 Burner categories - Countries of destination

| Country of destination | Gas category |
|--|---|
| SE - FI - AT - GR - DK - ES - GB - IT - IE - PT - IS - CH - NO | I _{2H} |
| DE | I _{2ELL} |
| NL | I _{2L} - I _{2E} - I ₂ (43,46 ÷ 45,3 MJ/m ³ (0°C)) |
| FR | I _{2Er} |
| BE | I _{2E(R)B} |
| LU - PL | I _{2E} |

Tab. B

3.4 Technical data

| Model | | | RIELLO 40 FS5 |
|---------------------------------|----------------|--------------|--|
| Type | | | 566 M |
| Heat output (Hi) ⁽¹⁾ | min - max | kW kcal/h | 23 ÷ 58 |
| | | | 20,000 ÷ 50,000 |
| Fuel | | Family 2 | NCV 8 ÷ 12 kWh/m ³ – 7,000 ÷ 10,340 kcal/m ³ |
| | | | Pressure: min. 16 mbar – max. 200 mbar |
| Operation | | | Intermittent (FS1) |
| Use | | | Boilers: water and diathermic oil |
| Ambient temperature | | °C | 0 - 50 |
| Combustion air temperature | | °C max | 60 |
| Electrical supply | | | 1/230V / 50-60Hz |
| Capacitor | | µF | 2 |
| Absorbed electrical power | | kW | 0.15 |
| Protection level | | | IP40 |
| Weight | | kg | 10 |
| Noise levels ⁽²⁾ | Sound pressure | dB(A) | 59.4 |
| | Sound power | | 70.8 |
| CE | | N. | CE-0476CT2714 |

Tab. C

- (1) Reference conditions: Room temperature 20°C - Gas temperature 15°C - Barometric pressure 1013 mbar - Altitude 0 m a.s.l.
 (2) Sound pressure measured in manufacturer's combustion laboratory, with burner operating on test boiler and at maximum rated output. The sound power is measured with the "Free Field" method, as per EN 15036, and according to an "Accuracy: Category 3" measuring accuracy, as set out in EN ISO 3746.



For gas family 3 (LPG) ask for separate kit.

3.5 Maximum dimensions

The maximum dimensions of the flange and burner are given in Fig. 1.

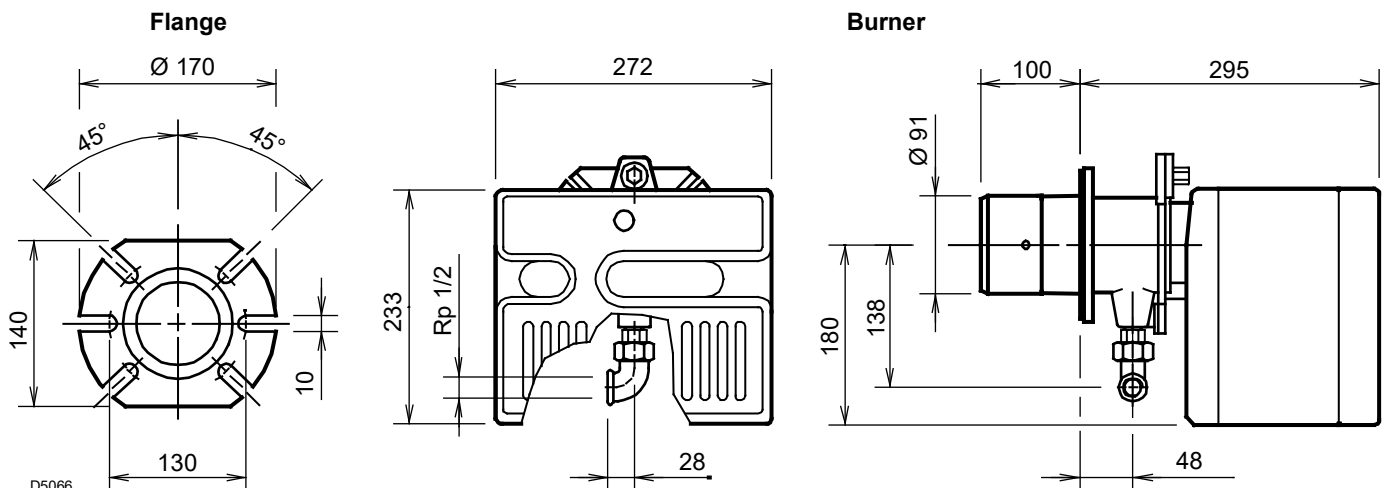


Fig. 1

3.6 Firing rate

The burner output is chosen from within the diagram area (Fig. 2).



The firing rate value (Fig. 2) has been obtained considering an ambient temperature of 20°C, an atmospheric pressure of 1013 mbar (approx. 0m above sea level), and with the combustion head adjusted as shown on page 14.

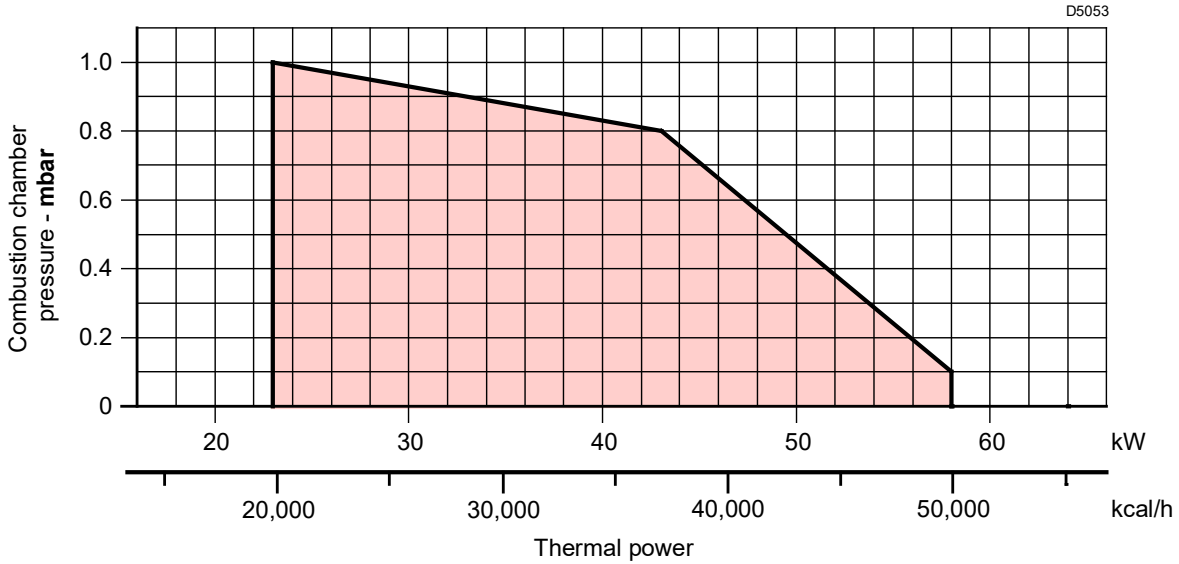


Fig. 2

3.6.1 Test boiler

The firing rate has been defined according to EN 676 standard.

3.6.2 Commercial boilers

The burner-boiler matching is assured if the boiler conforms to EN 303 and the combustion chamber dimensions are similar to those shown in the diagram EN 676.

For applications where the boiler does not conform to EN 303, or where the combustion chamber is much smaller than the dimensions given in EN 676, please consult the manufacturers.

3.7 Correlation between gas pressure and burner output

To obtain the maximum output (Fig. 3), it is necessary to have 4.6 mbar measured on the pipe coupling, with the combustion chamber at 0 mbar and gas G20 - NCV = 10 kWh/Nm³ (8,570 kcal/Nm³).

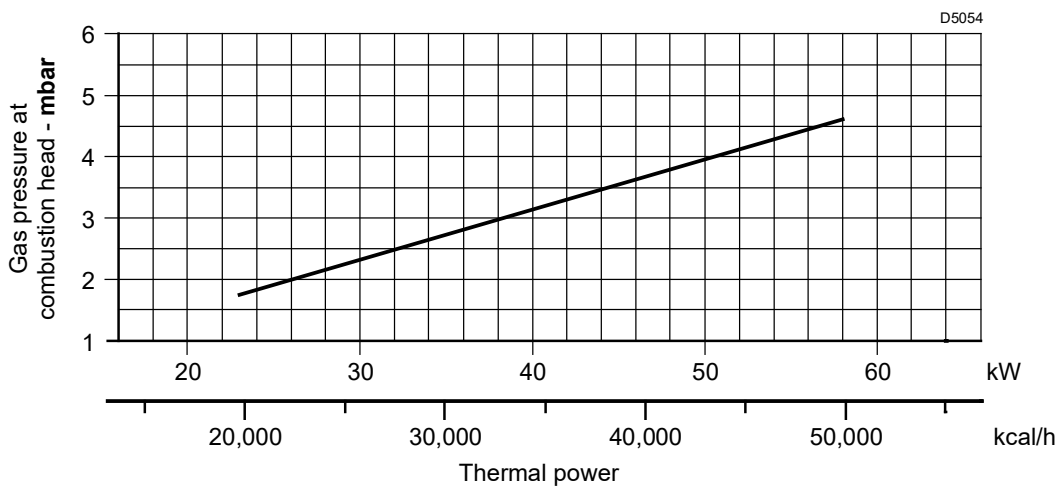


Fig. 3

3.8 Burner description

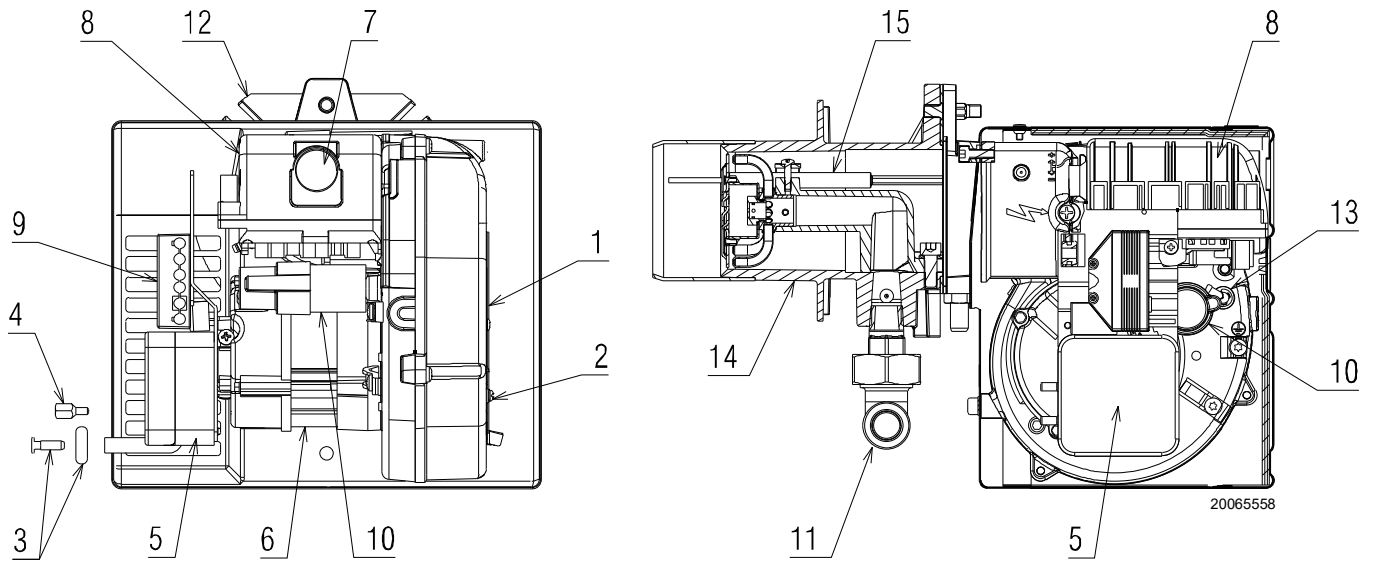


Fig. 4

- | | |
|-------------------------------------|----------------------------|
| 1 Air damper | 12 Flange |
| 2 Damper fixing screws | 13 Pressure test point (+) |
| 3 Pressure test point (-) | 14 Combustion head |
| 4 Cover fixing screw | 15 Electrode-probe |
| 5 Air pressure switch | |
| 6 Motor | |
| 7 Lock-out signal with reset button | |
| 8 Flame control | |
| 9 6 pole socket for gas train | |
| 10 Capacitor | |
| 11 Gas train elbow | |



WARNING

The supplied grommet and the cover fixing screw should be assembled on the same side as the gas train.

Check that it is possible to access the cover fixing screws once the burner has been installed. If necessary, replace them with the ones supplied as standard.

3.9 Burner equipment

| | |
|--------------------------|-------|
| Screws with nuts | No. 4 |
| Insulating gasket | No. 1 |
| Cover fixing screw | No. 3 |
| Cable grommet | No. 1 |
| Hinge | No. 1 |
| 7-pin plug | No. 1 |
| Instructions | No. 1 |
| Spare parts list | No. 1 |

3.10 Flame control

The flame control is a control and supervision system for forced draught burners, for intermittent operation (at least one controlled shutdown every 24 hours).

Important notes



To avoid accidents, material or environmental damage, observe the following instructions!

The flame control is a safety device! Avoid opening or modifying it, or forcing its operation. The Manufacturer cannot assume any responsibility for damage resulting from unauthorised work!

- All interventions (assembly and installation operations, assistance, etc.) must be carried out by qualified personnel.
- Before modifying the wiring in the flame control connection area, fully disconnect the system from the power supply (omnipolar separation).
- Protection against electrocution from the flame control and all connected electric components is obtained with the correct assembly.
- Before any intervention (assembly and installation operations, assistance, etc.), ensure the wiring is in order and that the parameters are correctly set, then make the safety checks.
- Falls and collisions can negatively affect the safety functions.
In this case, the flame control must not be operated, even if it displays no evident damage.

For safety and reliability, comply with the following instructions:

- Avoid conditions that can favour the development of condensate and humidity. Otherwise, before switching on again, make sure the flame control is perfectly dry.
- Static charges must be avoided since they can damage the flame control's electronic components when touched.

Installation notes

- Check the electrical wiring inside the boiler complies with the national and local safety regulations.
- Install switches, fuses, earth connection etc. in compliance with local regulations.
- Do not confuse the powered conductors with the neutral ones.
- Ensure that spliced wires cannot get into contact with neighbouring terminals. Use adequate ferrules.
- Arrange the H.V. ignition cables separately, as far as possible from the flame control and the other cables.
- When wiring the unit, make sure the 230V AC mains voltage cables are run strictly separate from extra low-voltage cables, to avoid the risk of electrocution.

To remove the flame control from the burner it is necessary to (Fig. 5):

- disconnect all the connectors connected to it, all the plugs, the high voltage cables and the earth wire (**TB**);
- unscrew the screw (**A**) and pull the flame control in the direction of the arrow.

To install the flame control it is necessary to:

- tighten the screw (**A**) with a tightening torque of 1 - 1.2 Nm;
- reconnect all previously disconnected connectors, making sure to connect the 7 pin power plug as the final step.

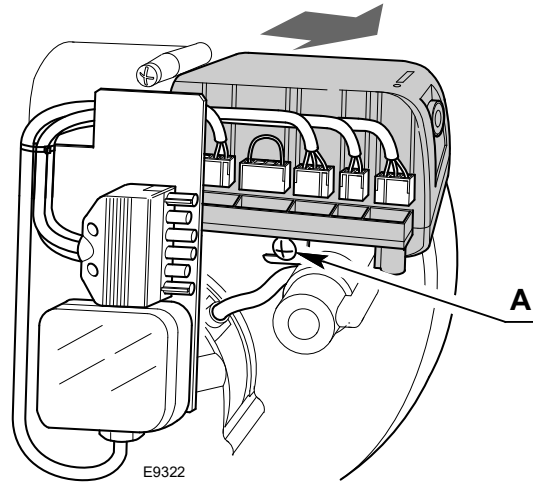


Fig. 5

NOTE:

The burners have been approved for intermittent operation. This means that they must stop once every twenty four hours to permit the flame control to check its efficiency at start-up. The boiler head request thermostat (TL) normally ensures the stopping of the burner. If this is not the case, it is necessary to apply a timer switch in series to the head request thermostat (TL) that turns off the burner at least once every 24 hours.

Electrical wiring of ionisation probe

It is important for signal transmission to be almost totally free of any disturbances or loss:

- Always separate the probe cables from the other cables:
 - the line capacity reduces the magnitude of the flame signal;
 - use a separate cable.
- The cable length must not exceed 1 m.
- Respect the polarity
- Insulation resistance
 - must be at least 50 MΩ between the ionisation probe and the earth;
 - a dirty detector reduces the insulation resistance, fostering leakage currents.
- The ionisation probe is not protected against the risk of electrocution. When connected to the electricity supply, the ionisation probe must be protected against any accidental contact.
- Position the ionisation probe so that the ignition spark cannot form an arc on the probe (risk of electric overcharge).

Technical data

| | |
|--------------------|------------------------------|
| Mains voltage | AC 210...230 V -15 % / +10 % |
| Mains frequency | 50/60 Hz ±5 % |
| Built-in fuse | T5A 250V |
| Energy consumption | 40 VA |
| Protection level | IP00 |

Tab. D

4 Installation

4.1 Notes on safety for the installation

After carefully cleaning all around the area where the burner will be installed, and arranging the correct lighting of the environment, proceed with the installation operations.



All the installation, maintenance and disassembly operations must be carried out with the electricity supply disconnected.



The installation of the burner must be carried out by qualified personnel, as indicated in this manual and in compliance with the standards and regulations of the laws in force.



Combustion air inside the boiler must be free from hazardous mixes (e.g.: chloride, fluoride, halogen); if present, it is highly recommended to carry out cleaning and maintenance more frequently.

4.2 Instructions to avoid burnout or bad combustion of the burner

- 1 The burner can not be installed outside as it is suitable for operation in closed rooms only.
- 2 The premises the burner operates in must have openings for the air need for the combustion. To be sure about this, you have to control CO₂ and CO in the exhaust gases with all the windows and doors closed.
- 3 If there are air extractors in the premises the burner works, make sure that there are openings for air to be taken in that are big enough to ensure the required air change; In any case, check that when the burner stops the extractors do not draw hot fumes from pipes through the burner.
- 4 When the burner is stopped, the smoke pipe must be kept open and a natural draft created in the combustion chamber. If the smoke pipe is closed, the burner must be drawn back till the extraction of blast tube from the furnace. Before operating in this way take the voltage off.

4.3 Handling

The transport weight is given in chapter "Technical data" on page 7.

Observe the permissible ambient temperatures for storage and transport: -20 + 70 °C, with max. relative humidity. 80%.



After positioning the burner near the installation point, correctly dispose of all residual packaging, separating the various types of material.



Before proceeding with the installation operations, carefully clean all around the area where the burner will be installed.



The operator must use the required equipment during installation.

4.4 Preliminary checks

4.4.1 Control of the supply



After removing all the packaging, check the integrity of the contents.

In the event of doubt, do not use the burner; contact the supplier.



The packaging elements (cardboard box, clips, plastic bags, etc.) must not be abandoned as they are potential sources of danger and pollution; they should be collected and disposed of in the appropriate places.



A burner label that has been tampered with, removed or is missing, along with anything else that prevents the definite identification of the burner makes any installation or maintenance work difficult.



The figure of the label (Fig. 6) is indicative. Some of the data may be arranged in a different position.

4.4.2 Control of burner characteristics

Check the identification label of the burner (Fig. 6), showing:

- A the burner model;
- B the burner type;
- C the cryptographic year of manufacture;
- D the serial number;
- E the data for electrical supply and the protection level;
- F the electrical power consumption;
- G the data of the burner's minimum and maximum output possibilities (see Firing rate).

Warning. The burner output must be within the boiler's firing rate.

| | | | | | | | | | | |
|-----------------------------|------------------------|--------------------|--------------------|----------------------|---|---|--|----|---|---|
| R.B.L. | | A | | | | TYP TYPE ΤΥΠΟΣ | | B | B | C |
| | | D | | | | E | | F | | |
| II2ELL 3B/P DE | II2H3P GB, IE,ES | II2E 3B/P LU | II2L 3B/P NL | GAS GAZ ΑΕΠΙΟΥ | | <input checked="" type="checkbox"/> FAM.OIK.2 <input type="checkbox"/> FAM.OIK.3 | | G | | |
| II2H3B/P DK,AT, GR,SE | icc | A | Imax Peso Kg | | A | RIELLO S.p.A. I-37048 Legnago (VR) | | CE | | |

20065195

Fig. 6

4.5 Operating position

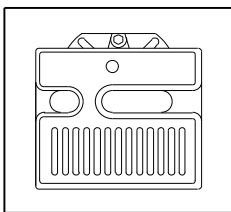


- The burner is designed to operate only in positions 1, 2, 3 and 4 (Fig. 7).
- Installation 1 is preferable, as it is the only one that allows the maintenance operations as described in this manual.
- Installations 2, 3 and 4 permit operation but make maintenance and inspection of the combustion head more difficult.



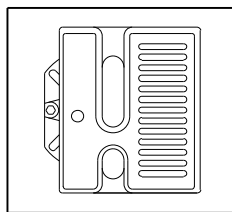
- Any other position could compromise the correct operation of the appliance.
- Installation 5 is prohibited for safety reasons.

1

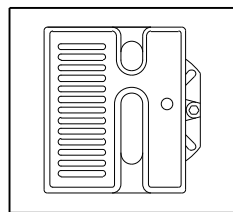


20065196

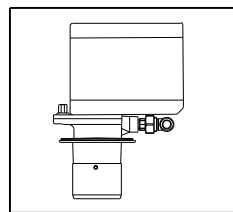
2



3



4



5

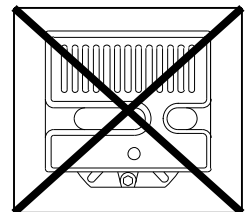


Fig. 7

4.6 Securing the burner to the boiler



Provide an adequate lifting system of the burner.

4.6.1 Hinge installation

Install the hinge 4), supplied as standard, as shown in Fig. 8.

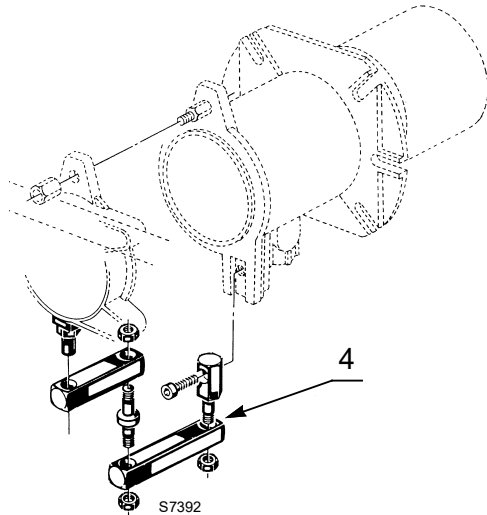


Fig. 8

- body by removing nut 1) and removing the group A)(Fig. 9).
- Fix the group B)(Fig. 9) to the boiler plate 2), inserting the supplied insulating gasket 3).



The seal between burner and boiler must be airtight.

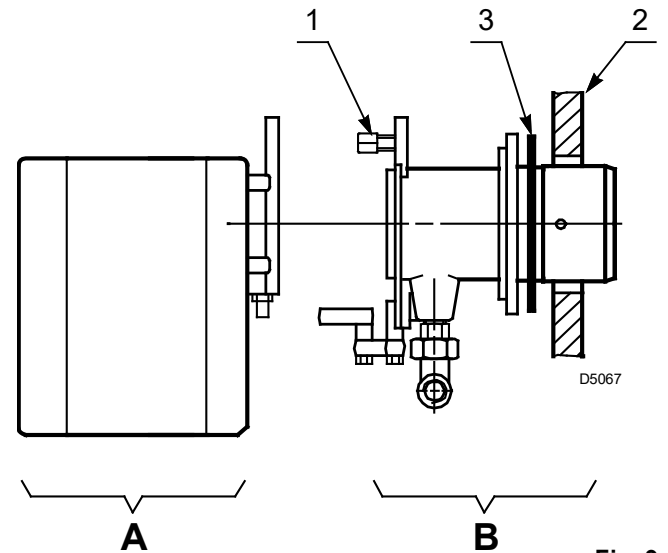


Fig. 9

- Separate the combustion head assembly from the burner

4.7 Positioning the probe - electrode



Do not turn the ignition electrode but leave it as shown in Fig. 10.
if the ignition electrode is put near the ionisation probe, the flame control amplifier might be damaged.



Place the ceramic part of the electrode A) against the diffuser disc B)(Fig. 10).

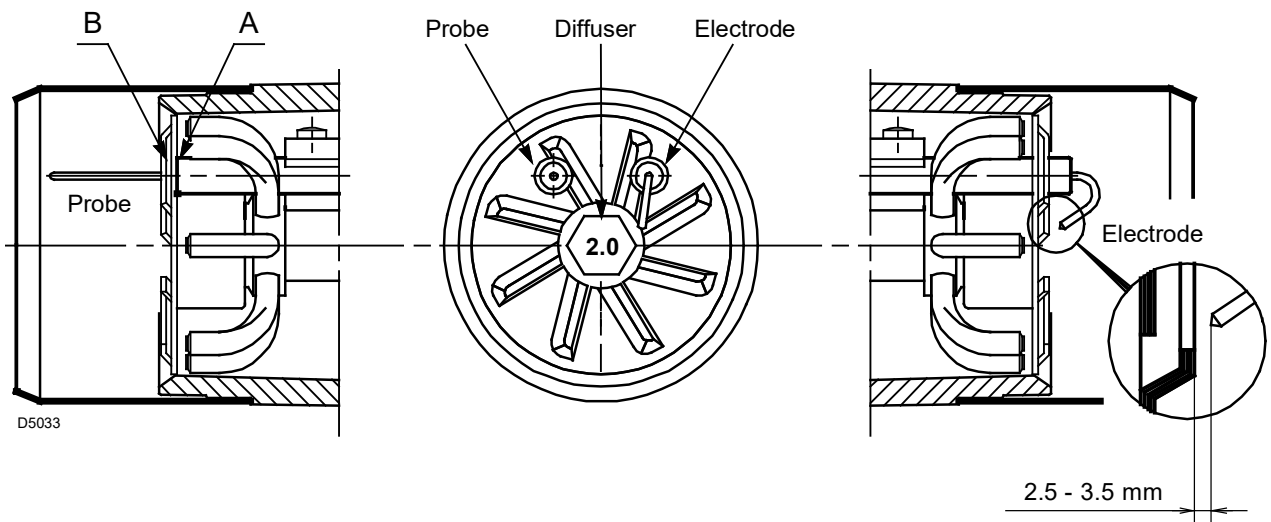


Fig. 10

4.8 Combustion head adjustment

To adjust, proceed as follows:

- loosen the screw A)(Fig. 11), move the elbow B) so that the rear plate of the coupling (C) coincides with the set point;
- tighten the screw A).

Example:

The burner is installed in a 40 kW boiler.

Considering efficiency of 90% the burner must supply around 44 kW.

The diagram (Fig. 12) shows that for this output the adjustment must be made on notch 3.

The diagram is to be used only for initial settings. To ensure good air pressure switch operation it may be necessary to reduce this combustion head opening (notch toward pos. 0).

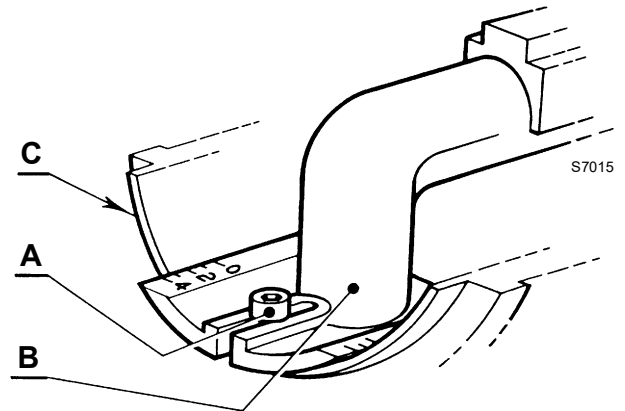


Fig. 11

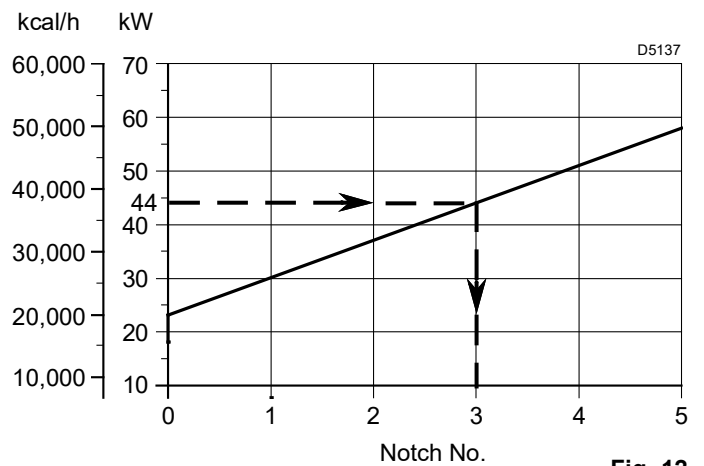


Fig. 12

4.9 Gas feeding



Explosion danger due to fuel leaks in the presence of a flammable source.

Precautions: avoid knocking, attrition, sparks and heat.

Make sure the fuel interception tap is closed before performing any operation on the burner.



The fuel supply line must be installed by qualified personnel, in compliance with current standards and laws.

4.9.1 Gas feeding line

MBC 65/1

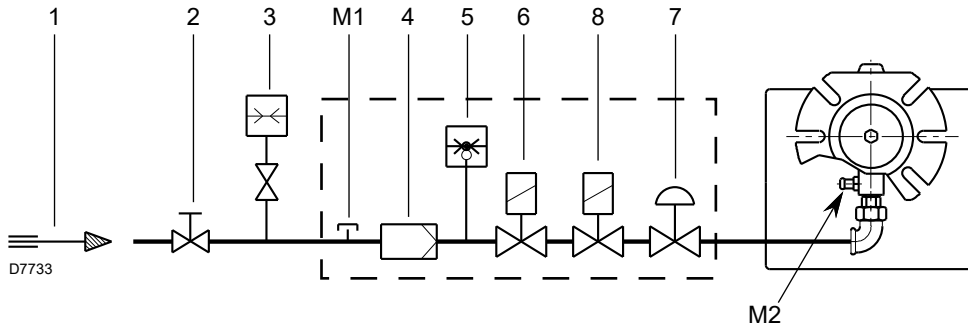


Fig. 13

MB 405/1

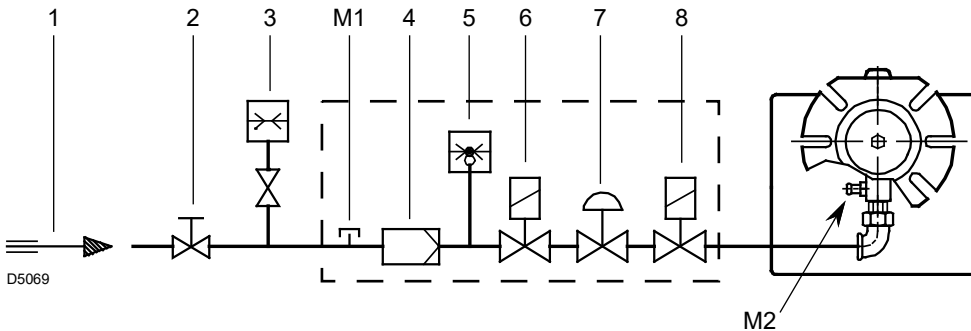


Fig. 14

Key (Fig. 13 - Fig. 14)

- 1 Gas input pipe
- 2 Manual gate (the responsibility of the installer)
- 3 Gas pressure gauge (the responsibility of the installer)
- 4 Filter
- 5 Gas pressure switch
- 6 Safety valve
- 7 Pressure stabiliser
- 8 Adjustment valve

M1 Gas-supply pressure test point on the pressure switch

M2 Pressure coupling test point

4.9.2 Gas train

Approved according to standard EN 676 and provided separately from the burner. Supplied separately for its adjustment, see the enclosed instructions.

The train-burner combination is indicated in Tab. E.

| Code | Model | Connections | | Use |
|---------|-------------------|-------------|--------|---------------------|
| | | Gas train | Burner | |
| 3970569 | MBC 65/1 - RSD 20 | Rp 1/2 | Rp 1/2 | Natural gas and LPG |
| 3970530 | MB 405/1 - RSD 20 | Rp 1/2 | Rp 1/2 | Natural gas and LPG |

Tab. E

4.9.3 Gas train installation



Disconnect the electrical power using the main switch.



Check that there are no gas leaks.



Pay attention when handling the train: danger of crushing of limbs.



Make sure that the gas train is properly installed by checking for any fuel leaks.

The gas train **MBC 65/1** 1)(Fig. 15) leaves the factory ready for installation to the burner's left. If it is to be installed on the right, fit the valve turned by 90° with respect to the gas-out flange and with the gas pressure switch pointed upwards.

The gas train **MBC 405/1** 1)(Fig. 16) leaves the factory ready for installation both on the right and left of the burner.

Connection between the gas supply line and the train must be made using the gas-in flange 3) supplied, and fastening screws.



It is best to tighten screws in a criss-cross pattern.

Do not, under any circumstances, install the valve with the coil facing down.

Connect the 6 pin plug 2)(Fig. 15 and Fig. 16) of the gas train to the 6 pole socket 9)(Fig. 4 on page 9) of the burner.



Once installation is complete, you must check for fuel leaks and make sure the gas train is working properly.

MBC 65/1

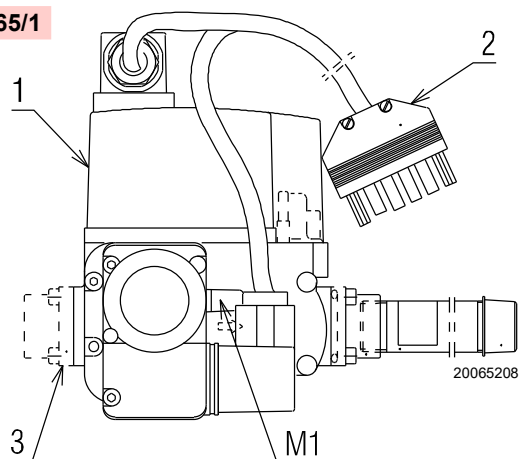


Fig. 15

MB 405/1

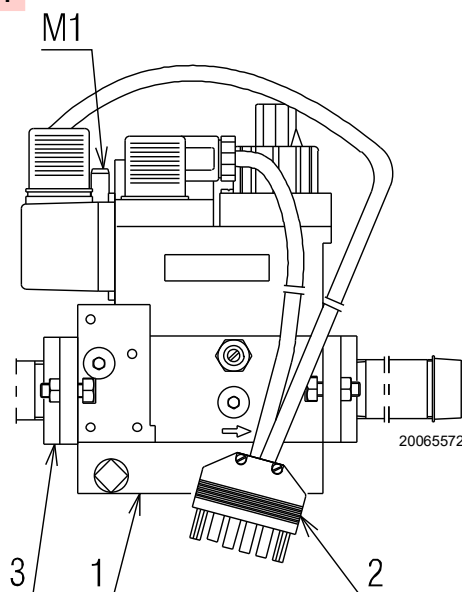


Fig. 16

4.10 Electrical wiring

4.10.1 Notes on safety for the electrical wiring



- The electrical wiring must be carried out with the electrical supply disconnected.
- Electrical wiring must be made in accordance with the regulations currently in force in the country of destination and by qualified personnel. Refer to the wiring diagrams.
- The manufacturer declines all responsibility for modifications or connections different from those shown in the wiring diagrams.
- Check that the electrical supply of the burner corresponds to that shown on the identification label and in this manual.
- The burner has been type-approved for intermittent use. In the event of continuous operation, a cycle arrest must be ensured within 24 hours with the use of a time switch positioned in series with the thermostatic line. Refer to the wiring diagrams.
- The electrical safety of the device is obtained only when it is correctly connected to an efficient earthing system, made according to current standards. It is necessary to check this fundamental safety requirement. In the event of doubt, have the electrical system checked by qualified personnel. Do not use the gas tubes as an earthing system for electrical devices.
- The electrical system must be suitable for the maximum power absorption of the device, as indicated on the label and in the manual, checking in particular that the section of the cables is suitable for that level of power absorption.
- For the main power supply of the device from the electricity mains:
 - do not use adapters, multiple sockets or extensions;
 - use a multiple pole switch with at least a 3mm gap between the contacts (overvoltage category III), as envisaged by the present safety standards.
- Do not touch the device with wet or damp body parts and/or in bare feet.
- Do not pull the electric cables.

Before carrying out any maintenance, cleaning or checking operations:



Disconnect the electrical supply from the burner by means of the main system switch.



Turn off the fuel interception tap.



Avoid condensate, ice and water leaks from forming.

If the cover is still present, remove it and proceed with the electrical wiring according to the wiring diagrams.

4.10.2 Flame control



Disconnect the electrical supply from the burner by means of the main system switch.

To remove the flame control from the burner it is necessary to:

- disconnect all the connectors connected to it, the 6-pin plug, the high voltage cables, and the earth wire (TB);
- loosen the screw 1)(Fig. 17) and pull the flame control in the direction of the arrow.

For the installation:

- tighten screw 1)(Fig. 17) with a tightening torque of $1 \div 1.2$ Nm;
- reconnect all previously disconnected connectors, making sure to connect the 7 pin power plug as the final step.



After carrying out maintenance, cleaning or checking operations, reassemble the cover and all the safety and protection devices of the burner.

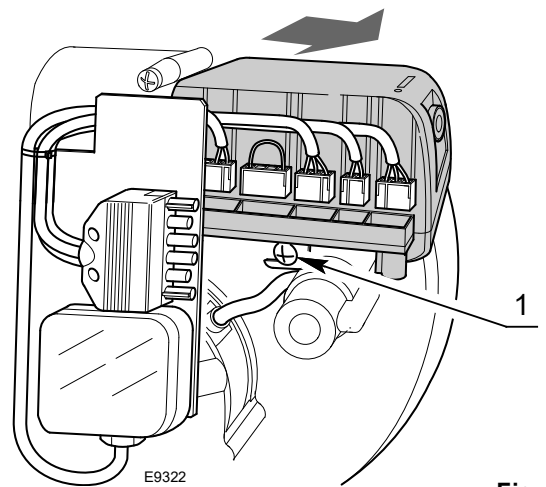


Fig. 17

4.10.3 Electrical diagram

Key (Fig. 18)

- C Motor capacitor
- CN1 Ionisation probe connector
- E Ignition electrode
- h1 Hour counter (230V - 0.1A max.)
- MV Fan motor
- PA Air pressure switch
- PG Min. gas pressure switch
- RS Remote reset connection
- SB Remote locking signal (230V - 0.5A max.)
- SM Short circuit plug
- SO Ionisation probe
- TB Burner earth
- TL Heat request thermostat
- TS Safety thermostat
- T6A Fuse
- V1 Adjustment valve
- VS Safety valve
- XP6 6 pin plug/socket
- XP7 7 pin/plug socket



WARNING

- Do not invert the neutral with the phase in the electrical supply line.
- Check that the electrical supply of the burner corresponds to that shown on the identification label and in this manual.
- The section of the conductors must be at least 1mm². (Unless requested otherwise by local standards and legislation).



WARNING

Check the burner stops by opening the thermostats and check it locks out by opening the connector (CN1)(Fig. 18) inserted in the probe's red wire, located on the outside of the flame control.



CAUTION

If the cover is still on, remove it and proceed with the electric wiring following the wiring diagrams.
Use flexible cables in compliance with EN 60 335-1 standards.



WARNING

In case of applications that use the connections of the heat request thermostat TL (T1, T2), it is necessary to insert a decoupling relay (230 Vac) with the clean contact connected to inputs T1 and T2 of this wiring diagram.

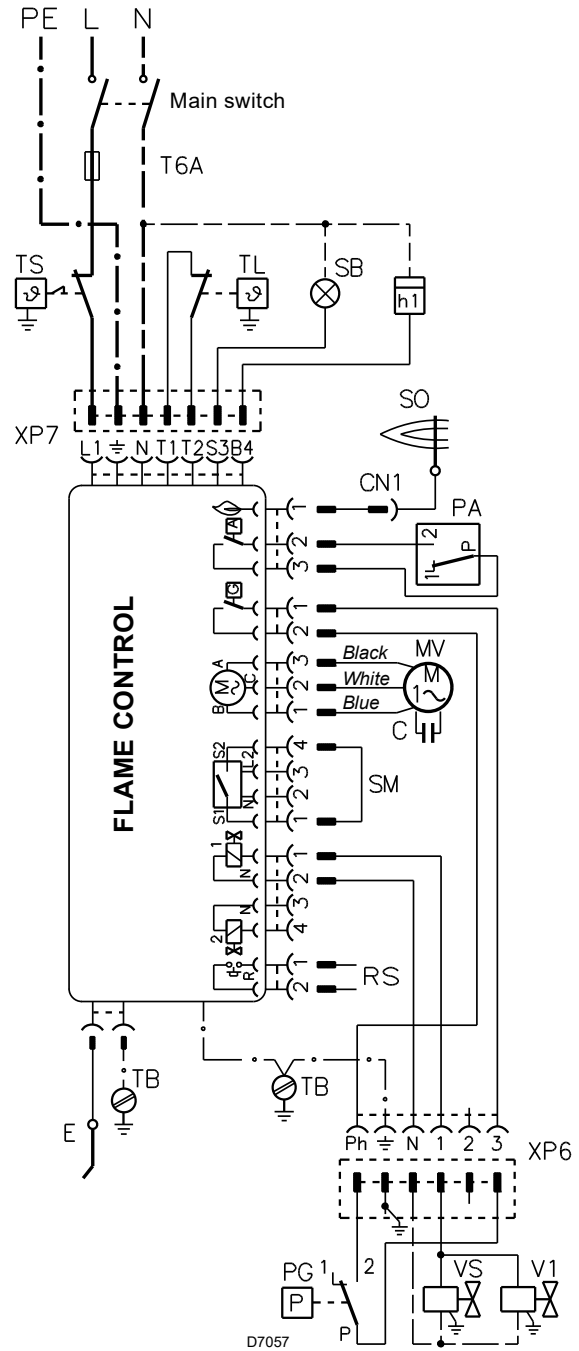


Fig. 18

4.11 Operating programme

Normal operation

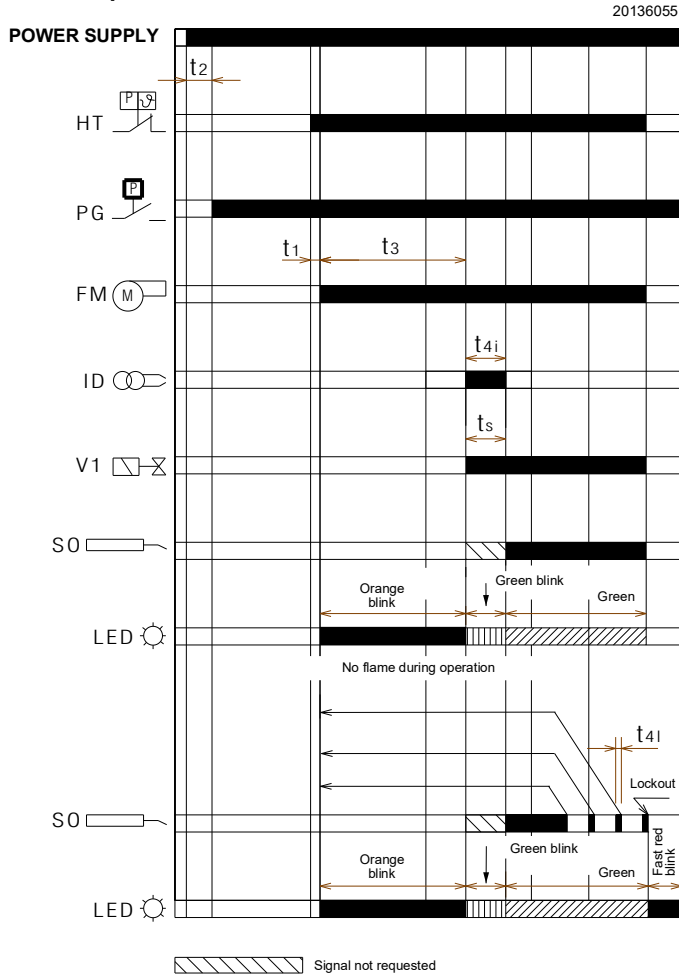


Fig. 19

Lockout due to ignition failure

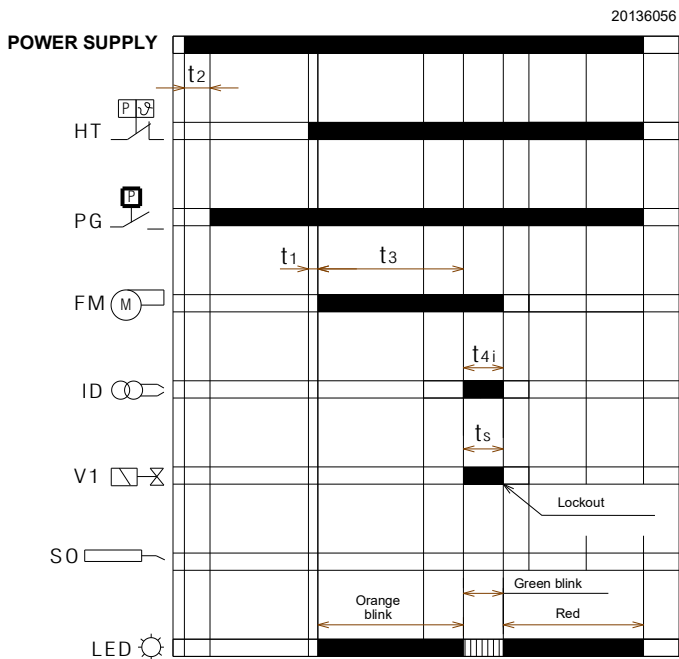


Fig. 20

Lockout due to extraneous light during pre-purging

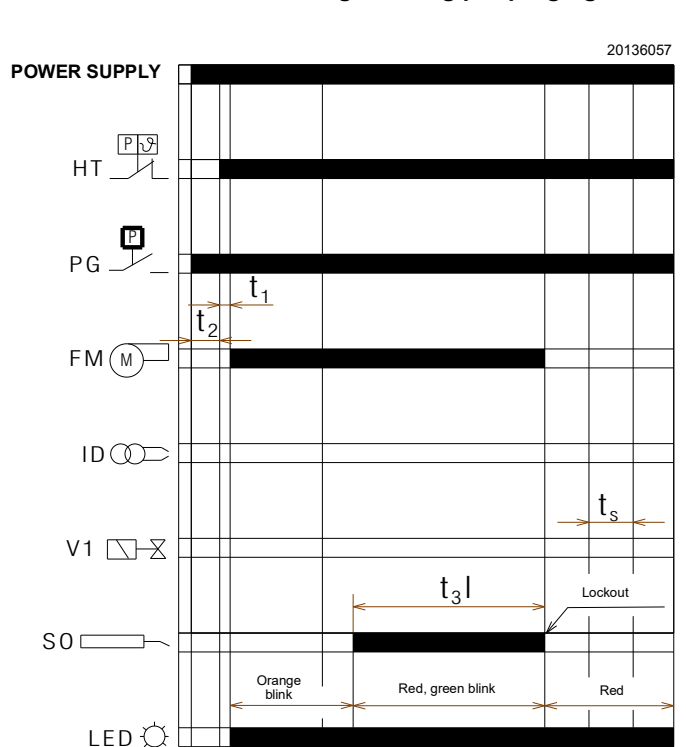


Fig. 21

Key

- FM – Fan motor
- HT – Heat request
- ID – Integrated ignition device
- LED – LED colour inside the button
- PG – Low gas pressure switch
- SO – Ionisation probe
- t₁ – Standby time
- t₂ – Initialisation time for checking
- t₃ – Pre-purging time
- t_{3l} – Checks for presence of extraneous light during pre-purging phase
- t_{4i} – Total ignition time
- t_{4l} – Reaction time to achieve safety lockout due to lack of failure
- t_s – Safety time
- V1 – Gas valve

4.12 Table of times

| Symbol | Description | Value (sec.) |
|--------|--|--------------|
| t0 | Standby: the burner is waiting for a heat request, the gas pressure switch closure, the air pressure switch opening | - |
| t1 | Standby time for an input signal: reaction time, flame control remains in waiting mode for t1 | 2 |
| t1l | Flame or flame simulation detected before demand for heat: the flame control remains idle. | 25 |
| t2 | Initialisation standby time: checking time following the main power start-up | < 4.5 |
| t2l | Checks extraneous light or parasite flame during t2: waiting mode for t2l, then lockout: the motor does not start | 25 |
| t2a | Check whether the air pressure switch has already been moved to the work position before the required heat: the flame control remains in standby status, a lockout follows if the air pressure switch remains switched for the T2a time. | max 120 |
| t3 | Pre-purging time: the fan motor is running, then the gas valve is activated | 40 |
| t3l | Checks extraneous light or parasite flame during pre-purging: flame control goes into lockout at the end of t3l | 1 |
| t3a | Time for checking the switching of the air pressure switch in the operating position during the pre-purging time: if the pressure switch does not change over within t3a there is a lockout. | max 15 |
| t3r | A recycle attempt is made if there is an air pressure drop during the pre-purging stage: there is then a lockout in the event of a second loss of air pressure between the 16th second and the 29th; in a loss of pressure between the 30th second and the 40th, the flame control goes immediately into lockout mode. | - |
| ts | Safety time | 3 |
| t4i | Total spark ignition time | 3 |
| t4a | Air pressure drop checking time during the ts time and the normal operation: the flame control locks out immediately. | < 1 |
| t4l | Reaction time to achieve safety deactivation due to flame loss | < 1 |
| - | Minimum time to reset the flame control using reset button | 0.4 |
| - | Minimum time to reset the flame control using remote reset | 0.8 |
| tr | Re-cycles: max. 3 repeats of the complete start-up sequence in the case of flame loss during operation; the final action at the last attempt following flame failure is a lockout | 3 re-cycles |

Tab. F

4.12.1 Operations status indication

| Status | Button colour button | Seconds | | Colour code |
|--|----------------------|---------|-----|------------------|
| Awaiting heat demand, awaiting gas pressure switch closure, awaiting air pressure switch opening | - | - | - | - |
| Awaiting heat request with continuous purging | ORANGE Blink | 0.5 | 2.5 | ●○●○●○●○●○ |
| Pre-purging, or awaiting air pressure switch closure, or long pre-purging | ORANGE Blink | 0.5 | 0.5 | ●○●○●○●○●○ |
| Safety time without flame | GREEN Blink | 0.5 | 0.5 | ■□■□■□■□■□ |
| Safety time with flame | GREEN | - | - | ■■■■■■■■■■■■■■■■ |
| Normal operating position | GREEN | - | - | ■■■■■■■■■■■■■■■■ |

Tab. G

Key

| ON | OFF | Colour code |
|----|-----|-------------|
| ▲ | △ | RED |
| ● | ○ | ORANGE |
| ■ | □ | GREEN |

Tab. H

4.12.2 Fault diagnostics - lockouts

| Fault description | Reset button colour | Seconds | | Colour code |
|--|--|---------|-----|--------------|
| | | | | |
| Extraneous light (false flame signal) | GREEN, RED blinking alternately | 0.5 | 0.5 | ■▲■▲■▲■▲■▲■▲ |
| Gas pressure switch not opening fault, after 2 minutes from the heat request | ORANGE blinking inverted | 2.5 | 0.5 | ●○●○●○●○●○●○ |
| Electrical power voltage fault | ORANGE slow blinking | 2.5 | 2.5 | ●○●○●○●○●○●○ |
| Electrical power frequency fault | ORANGE | - | - | ●●●●●●●●●●●● |
| Flame control voltage fault | ORANGE, GREEN fast blinking alternately | 0.2 | 0.2 | ●■●■●■●■●■●■ |
| Reset button / Remote reset anomaly | GREEN, RED fast blinking alternately | 0.2 | 0.2 | ■▲■▲■▲■▲■▲■▲ |
| Lockout for no flame after Ts | RED | - | - | ▲▲▲▲▲▲▲▲▲▲▲▲ |
| Lockout for extraneous light signal or for parasite flame | RED blink | 0.5 | 0.5 | ▲△▲△▲△▲△▲△▲△ |
| Lockout for maximum number of cycle repetitions (flame loss during operation) | RED fast blinking | 0.2 | 0.2 | ▲△▲△▲△▲△▲△▲△ |
| Lockout due to a drop in air pressure after the pre-purging was repeated due to a previous lack of air, or 10 sec before the end of the pre-purging, or during the safety time, or during normal operation | RED Blink | 0.5 | 2.5 | ▲△▲△▲△▲△▲△▲△ |
| Lockout for fan motor error | RED, ORANGE blinking inverted | 2.5 | 0.5 | ▲●▲●▲●▲●▲●▲● |
| Lockout due to fault with the gas valve control circuit | RED, GREEN blinking inverted | 2.5 | 0.5 | ▲■▲■▲■▲■▲■▲■ |
| Lockout for eeprom error | ORANGE, GREEN blinking alternately | 0.5 | 0.5 | ●■●■●■●■●■●■ |
| Lockout due to air pressure switch not closing after a heat request or after a recycle due to flame loss during operation | RED, GREEN slow blinking | 2.5 | 2.5 | ▲■▲■▲■▲■▲■▲■ |
| Lockout due to air pressure switch already switched to closing of the heat request thermostat or after a recycle due to flame loss during operation | RED, ORANGE slow blinking | 2.5 | 2.5 | ▲●▲●▲●▲●▲●▲● |
| Lockout for maximum number of cycle repetitions due to gas pressure switch intervention during flame operation | ORANGE | 2.5 | 0.5 | ●○●○●○●○●○●○ |

Tab. I

Key

| ON | OFF | Colour code |
|----|-----|-------------|
| ▲ | △ | RED |
| ● | ○ | ORANGE |
| ■ | □ | GREEN |

Tab. J

4.12.3 Checking the gas pressure switch

When the gas pressure switch is open the motor is not powered.

If, after a heat request, the gas pressure switch opens, the motor stops and:

- if the gas pressure switch stays open for more than 2 minutes, the fault is displayed by the diagnostic LEDs.
- if the gas pressure switch stays open for less than 2 minutes, the fault is not displayed.
- when the gas pressure switch closes again, the motor is restarted if also the air pressure switch is open.
- when the gas pressure switch is closed the motor is powered for about one second (to acknowledge the signal) and then it is shut off for 2 seconds to be then restarted and start the operation cycle.

If the gas pressure switch opens during normal flame operation, the motor stops immediately, the gas valves are closed and the full ignition cycle is repeated.

Up to 3 attempts are possible, at the fourth opening of the gas pressure switch, the burner reaches the lockout condition.

The number of possible attempts to open the gas pressure switch during flame operation is reset at every heat request, every lockout, every power supply fault (see paragraph “**Monitoring the power supply voltage**” on page 23) and every shut-down test.

If the gas pressure switch opens during post-purging or during continuous purging (if set), the motor stops and stays off for the whole time that the gas pressure switch is open and the fault is displayed immediately by the diagnostic LEDs.

4.12.4 Checking the air pressure switch

When the burner receives the heat request the air pressure switch is checked and if it is closed (bonded) the motor does not start and after 2 minutes the lockout condition is reached.

If the motor starts after a heat request, the air pressure switch does not close within 15 seconds of pre-purging, the burner reaches the lockout condition.

If there is a loss of air pressure after the first 15 seconds of pre-purging but before the last 10 seconds, a recycle occurs (the pre-purging time starts from when the air pressure switch closes in a stable manner).

If after a recycle after a loss of air pressure there is a new loss, the burner reaches an immediate lockout condition due to lack of air.

If the loss of the air pressure switch occurs in the last 10 seconds of the pre-purging time (before the start of the safety time) the burner reaches an immediate lockout condition due to lack of air.

If there is a loss of the air pressure switch after the opening of the first stage valves or during normal operation with flame, the burner reaches a lockout condition within 1s.

The state of the air pressure switch does not influence the post-purging time.

Se If continuous purging is set, the motor is powered even if the air pressure switch is sealed but only in a condition without a heat request or after 2 minutes if the lockout occurred after the heat request.

4.12.5 Shut-down test

If the reset push-button or the remote reset is pressed during operations for more than 5 seconds and less of 10 seconds, (to not go to the successive menu) the burner switches off, the gas valve closes, the flame goes out and the start-up sequence restarts.

If the switch off test is enabled, the number of repetitions of the start up sequence (see paragraph “**Recycle and limit of repetitions**” on page 22) and the number of possible resets (see paragraph “**External lockout signal (S3)**” on page 23), are reset.

4.12.6 Intermittent operation

After 24 hours of continuous operation, the flame control starts the automatic switch-off sequence, followed by a restart, in order to check for a possible fault with the ionisation probe. This automatic switch-off can be fixed at 1 hour, (see paragraph “**Programming menu**” on page 26).

The modification of the parameter setting for intermittent operation takes effect if:

- during the heat request, the switching off test function is enabled;
- there is a flame loss;
- the heat request switches off and then later restarts;
- the flame control switches off and restarts;
- the automatic restarting of the intermittent function occurs (1hour/24hours).

4.12.7 Recycle and limit of repetitions

The flame control allows a recycle function, i.e. complete repetition of the start-up sequence, making up to 3 attempts, in the event the flame failure during operation.

If the flame failure 4 times during operations, this will cause a burner lockout. If there is a new heat request during the recycle, the 3 attempts are reset when the limit thermostat (TL) switches.

By disconnecting the power supply, when a new heat request occurs (power supply is applied to the burner) all possible attempts at re-ignition are reset (maximum 3).

4.12.8 Presence of an extraneous light or parasite flame

The presence of a parasite flame or extraneous light can be detected in the stand-by state after a heat request.

If the presence of a flame or extraneous light is detected also in the "t2" stage, the motor does not start until the flame signal has disappeared or until lockout has been reached.

If after the fan motor starts, during the pre-purging, an extraneous light or parasite flame is detected, the burner reaches the lockout condition in 1 second.

If, during the recycle due to flame disappearance while operating and the consequent repetition of the start-up sequence, the parasite flame or the extraneous light is detected before the motor starts, the 25 seconds control countdown starts (for checking for the presence of the parasite flame or the extraneous light) otherwise the lockout occurs within 1 second.

The fault is indicated by the blinking LED (see paragraph “**Fault diagnostics - lockouts**” on page 21).

When the heat request is finished, if the parasite flame stays on the burner reaches the lockout condition due to parasite flame after 25 seconds (regardless of the presence or otherwise of the post-purging or the continuous purging).

The parasite flame control is active even when there is a fault with the mains voltage, the frequency, the internal voltage, the condition with gas pressure switch open.

The parasite flame control is not active only in lockout conditions.

4.12.9 Duration of ignition transformer discharge

The spark ignition is present during all safety time.



WARNING

In the event of continuous recycling or heat requests that are close together, the maximum allowed number of cycle repetitions for the ignition transformer is one every minute.

4.12.10 Reset by button and remotely of the burner

The burner can be released by pressing, for at least 0.4 seconds, the reset button integrated in the flame control and the unlocking occurs only when the button is released.

The burner can also be reset using an external button (remote reset) connected to the R terminals (see RS connector wiring diagram) on the burner by pressing for at least 0.8 seconds.



WARNING

If the reset button is pressed for more than 5 seconds, the flame control will not be reset.

4.12.11 Protection reset

The burner can be reset only 5 times consecutively, then power supply has to be disconnected for a new 5 reset possibilities. The burner can only be reset if power supply is applied to the flame control.

4.12.12 Reset push-button anomaly

If the reset button is faulty or is kept pressed for more than 60 seconds, the fault is indicated by the blinking of the LED (see paragraph “**Fault diagnostics - lockouts**” on page 21) as long as it is present.

- This fault is only displayed and the LED stops blinking when the fault disappears.
- If the fault is detected during pre-purging or safety time, the burner does not stop (the start-up sequence will continue).
- If the fault is detected during operation, the burner does not stop.
- If the fault is detected during a lockout, the fault is not signalled and the burner cannot be reset.

4.12.13 External lockout signal (S3)

The burner is equipped with an external locking signal function, i.e. to signal (together with the integrated reset button) a burner locking alarm.

The flame control provides a command of an external lamp using the S3 output (230Vac-0.5Amp max).

4.12.14 Hour counter functioning (B4)

The burner has an hour counter function that is active as long as the 1st stage oil valve is open and therefore as long as fuel is being consumed.

The flame control provides an external meter through the Hour_Counter output (230V AC-0.1Amp max.) of the flame control connected to pin B4 of the 7-pole socket coming from the boiler power supply connection at the burner.

4.12.15 Monitoring the power supply voltage

The flame control automatically measures the mains voltage. If the voltage is less than 170V or more than 280V, the burner stops, interrupts the operating cycle and remains in stand-by, signalling a fault. The fault is indicated by the blinking LED (see paragraph “**Fault diagnostics - lockouts**” on page 21). The burner restarts when the voltage exceeds approx. 180V or if it goes below 270V.

- If the fault is detected with flame operation, the valve is immediately closed and the motor stops.
- If the anomaly is detected during pre-purging, the motor stops.
- If the mains voltage stays within the intermediate values (170÷180V or 270÷280V) when the main power supply switch is closed or after a power failure, the burner does not start.
- If the burner is in lockout, the mains voltage is monitored but not signalled as there is a lockout signal and cannot be reset.

During the ignition time the mains voltage monitoring is deactivated.

4.12.16 Frequency supply error

The flame control automatically detects the value of the frequency of the main supply in the range of 50 - 60 Hz, in both cases working times are verified. The fault is indicated by way of the blinking LED (see paragraph “**Fault diagnostics - lockouts**” on page 21).

- If the anomaly is detected before heat demand the burner does not start.
- If the fault is detected during the pre-purging, the burner remains in purge condition and the fault is appropriately signalled.
- The fault is not detected during normal running, the burner remains in this state. When the fault disappears, the burner restarts.

4.12.17 Internal voltage anomaly

The flame control automatically detects if the internal voltage works correctly. The fault is indicated by way of the blinking LED (see paragraph “**Fault diagnostics - lockouts**” on page 21).

- If the anomaly is detected during the initialisation check time, the burner does not start.
- If the anomaly is detected after a lockout the burner does not start.
- If the anomaly is detected after a shut-down test, the burner does not start.
- The fault is not detected during normal running, the burner remains in this state. When the fault disappears, the burner restarts.

4.12.18 Checking the fan motor

The flame control automatically detects the presence of the fan motor and, if disconnected, it performs a lockout. The lockout is indicated by the blinking of the LED (see paragraph “**Fault diagnostics - lockouts**” on page 21).

4.12.19 Checking the faults of the gas valve and the motor

The flame control detects the presence of a fault in the valve and motor controls, the fault is indicated by the blinking LED (see paragraph “**Fault diagnostics - lockouts**” on page 21):

- if the anomaly is detected during the initialisation, the burner goes into lockout.
- if the anomaly is detected during the pre-purging, the burner goes into lockout.
- During a recycling, if the fault is detected, the burner does not start and goes into lockout.

The fault is not detected if the burner is in lockout.

The sealing of the contact of the relay inside the motor's flame control is intercepted if the gas pressure switch is closed and the motor is connected to the board.

The closing of the relay contact inside the gas valve control is intercepted only with the motor on.

4.12.20 EEPROM check

The flame control automatically detects if EEPROM memory of micro-controller has failed and will perform a lockout. The lockout is indicated by the blinking of the LED (see paragraph “**Fault diagnostics - lockouts**” on page 21).

4.12.21 Ionisation current

The recommended minimum for operating the burner is 2 µA.

In any event, if you want to measure the ionisation current, you need to open the connector (CN1)(Fig. 22) on the red wire and insert a microammeter.

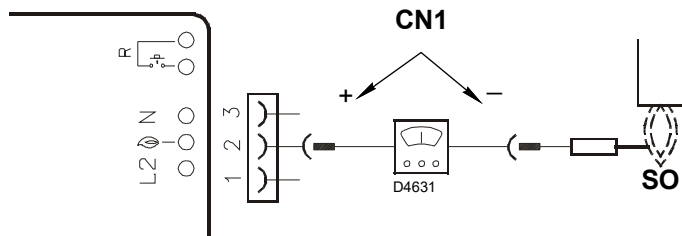


Fig. 22

4.12.22 Post-purging

Post-purging is a function that allows you to maintain the air purging even after the burner is switched off in the absence of the heat request for a pre-set time. The burner switches off the flame when the heat request thermostat opens, cutting off the fuel supply to the valves.

The post-purging function is not performed:

- after a lockout of the motor or valves;
- if the heat request is interrupted during pre-purging.

Post-purging occurs:

- if the heat request is interrupted during the safety time;
- if the heat request is interrupted during normal operation;
- with all types of lockout.

NOTE:

If during post-purging there is an extraneous light or a parasite flame the burner goes into lockout after 25 seconds and post-purging is not stopped. If during post-purging there is a new heat request, the post-purging time is halted, the fan motor stops and a new burner operating cycle starts.

4.12.23 Continuous purging

Continuous purging is a function that maintains the air ventilation independently of the request for burner ignition.

From the moment when it is set, the motor remains in operation both when the head request thermostat (TL) is not switched over (burner switched off), and when the burner is in lockout.

With the commutation of the head request thermostat (TL) the motor stops for the stand-by time of 2 seconds, the successive control of the air pressure switch and the start of a new burner operation cycle.

- If during continuous purging when there is no heat request a parasite flame is detected, the motor stays on and a fault is signalled. The burner reaches the lockout condition after 25 seconds.
- If during continuous purging a parasite flame is detected, the motor stays on but if a heat request occurs the motor is switched off, the motor is not started after the standby (2sec) if the parasite flame persists; the burner reaches the lockout condition after 25 seconds. After the lockout has been reset the motor is restarted.
- The motor stays on even in a lockout.
- The continuous purging is interrupted if an internal fault is detected that brings the burner to the lockout condition (eeprom, motor, 1st and 2nd stage valves).

4.12.24 Lockout log

The flame control allows the logging of the type and number of lockouts that have occurred and keeps them even without the electrical power supply.

The logs of the lockouts allows you to access the last 10 lockouts (see paragraph “**Programming menu**” on page 26).

Once the programming menu page has been reached by pressing the reset button the last lockout is displayed, pressing 10 times displays the least recent lockout (each time the burner reaches the lockout condition the oldest one is removed).

5 seconds after the last pressing of the buttons, the type of lockout is displayed, see paragraph “**Fault diagnostics - lockouts**” on page 21).

4.12.25 Logging of burner operating parameters

The flame control allows you to log the operating time of the opening of the gas valve.

That way, you can determine how much fuel has been consumed during operation.

The frequency of the count is 1 second.

Saving to memory (eeprom) of the data occurs every 30 minutes if the burner is on.

Saving to memory is carried out even if in the previous 30 minutes the flame control was operating only for a short period of time.

If the flame control is cut off from the mains power supply between one saving and the next (after 30 minutes) the information about this interval is lost.

If in the interval between one saving and the next a lockout is set, there is writing to memory that involves also the logging of the operating hours.

Together with the operating hours also the number of the burner's 1st stage valve openings is saved.

In the menu (see paragraph “**Programming menu**” on page 26) it is possible to independently reset both the operating hours meter and the meter for the number of openings of the 1st stage valve that occurred.

- The number of openings of the 1st stage valve is a maximum of: 16.777.215 (after which it is reset).
- The meter for the number of openings of the first stage valve is a maximum: 65,535 days (after which it is reset).

4.12.26 Admissible lengths of the external connections to the burner

| Outlet cables of the burner | Identification | Maximum length permitted (metres) |
|-----------------------------|----------------|-----------------------------------|
| Mains electric power supply | L1 (L), N | 20 |
| GAS pressure switch | PG | 1 |
| Heat request thermostat | TL (T1,T2) | 20 |
| Hour counter | B4 | 3 |
| External lockout indicator | S3 | 20 |
| Remote reset | R (RS) | 20 |

Tab. K



WARNING

In the event of burner applications with remote control commands greater than those indicated in Tab. K, insert the relay command devices (230Vac) with contacts placed near or not more than the maximum indicated lengths.

4.12.27 Long pre-purging

If a long pre-purging is enabled, an initial pre-purging of 1 min and 20 sec beyond the default pre-purging time (40 sec) is carried out.

In recycles due to flame loss when operating, the long pre-purging is not carried out but only the pre-purging with the default time (40 sec).

If there is a loss of air pressure during the long pre-purging, the recycle involves a repetition of the pre-purging that is in this case is 1 min and 20 sec added to 40 sec.

4.13 Programming menu

4.13.1 General notes

The programming menu can be accessed via the integrated reset button, or by remote reset during OPERATION and in STANDBY.

If in page menu the reset or remote reset button is not pressed within 10 seconds the page will be automatically be exited and there will be a green LED blinking for the time set.

If the number of presses on the reset or remote reset button exceeds the maximum allowable, the value that stays in memory will be the maximum one.

If the reset or remote reset button is pressed for more than 60 seconds, a reset button error will be displayed.

4.13.2 Block diagram for entering the menu

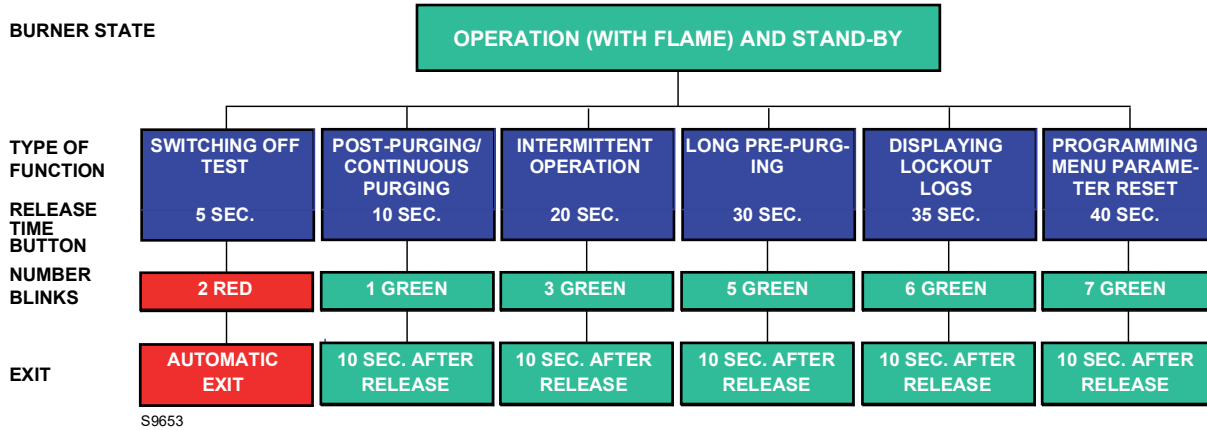


Fig. 23

| Function | Button release time | No. of blinks of the led per menu page | No. of pressings of the reset button | No. of blinks of the LED (green) | Quitting the menu |
|----------------------------------|---------------------|--|---|---|---|
| Switching off test | 5s ≤ t < 10s | 2 blinks RED | / none | / none | Automatic, at the end of the blink |
| Post-purging/Continuous purging | 10s ≤ t < 15s | 1 GREEN blink | 1 = 1 minute 2 = 2 minutes 3 = 3 minutes 4 = 4 minutes 5 = 5 minutes 6 = 6 minutes 7 = continuous purging 8 = 0 m (deactivated) (default) | 1 blink 2 blinks 3 blinks 4 blinks 5 blinks 6 blinks 7 blinks 8 blinks | 10 sec. after the release of the button |
| Intermittent operation | 20s ≤ t < 25s | 3 blinks GREEN | 1 = 1 hour 2 = 24 hours (default) | 1 blink 2 blinks | 10 sec. after the release of the button |
| Pre-purging long | 30s ≤ t < 35s | 5 blinks GREEN | 1 = activated 2 = deactivated (default) | 1 blink 2 blinks | 10 sec. after the release of the button |
| Display lockout logs | 35s ≤ t < 40s | 6 blinks GREEN | 1 = last lockout 2 = 9th lockout 3 = 8th lockout 4 = 7th lockout 5 = 6th lockout 6 = 5th lockout 7 = 4th lockout 8 = 3rd lockout 9 = 2nd lockout 10 = less recent lockout | Displaying the type of lockout according to Tab. I | 10 sec after the release of the button (if at level 1). When at level 2, 10 sec after the display of the type of lockout or else pressing the button again before 10 sec you return to level 1 from where, 10 seconds after nothing has been done to the buttons, you exit the menu |
| Parameter reset programming menu | 40s ≤ t < 45s | 7 blinks GREEN | 1 = reset of the lockout logs 2 = reset of the no. of lockouts 3 = reset of hours of operation 4 = reset of the no. of heat requests 5 = restoration of default values of the menu parameters | / | 10 sec. after the release of the button |

Tab. L

4.13.3 Shutdown test

Sequence for shut-down test programming

- Programming allowed in OPERATING mode and in STAND-BY.
- Press the button for 5 sec. $\leq t < 10$ sec.
- The RED LED blinks twice (0.2 sec. ON; 0.2 sec. OFF).
- Release the button.
- The burner will initialise a shut-down followed by a restart

After shut-down, the burner restarts automatically and the no. of attempts of recycle are restored.

At the exit of shut-down test page menu there are no blinking led.

4.13.4 Post-purging and continuous purging

The post-purging time can be set for a maximum of **6 minutes**, proceeding as follows:

Programming sequence

- Programming allowed in OPERATING mode and in STAND-BY.
- Press the button for 10 sec. $\leq t < 15$ sec.
- GREEN led blinking 1 time
- Release the button
- GREEN led OFF
- Press the button 1 - 6 times (*) = 1 - 6 minutes
7 times = continuous purging
- GREEN led ON and OFF every time press and release
- After 10 sec., the GREEN LED will blink for the number of times programmed (0.5 sec. ON; 0.5 sec. OFF)

Disabling sequence

- Reset allowed in OPERATING mode and in STAND-BY.
- Press the button for 10 sec. $\leq t < 15$ sec.
- GREEN led blinking 1 time
- Release the button
- GREEN led OFF
- Press the button 8 times (*)
- GREEN led ON and OFF every time press and release
- After 10 sec. the GREEN led blinks for 8 times (0.5s ON; 0.5s OFF)

If heat request stops during programming of post-purging function, the exit menu occurs without saving the setting value.

If heat request stops during the led blinking occur exit menu, but the setting value is stored.

4.13.5 Intermittent operation

Sequence for enable/disable

- Programming allowed in OPERATING mode and in STAND-BY
- Press the button for 20 sec. $\leq t < 25$ sec.
- GREEN led blinking 3 times
- Release the button
- GREEN led OFF
- Press the button 1 time to enable a shut-down every hour (*)
- Press the button 2 times to enable a shut-down every 24 hours (*)
- GREEN led ON and OFF every time press and release
- After 10 sec., the GREEN LED will blink for the number of times programmed (0.5 sec. ON; 0.5 sec. OFF).

The modification of the parameter setting for Intermittent operation takes effect:

- after the next heat request by the thermostat (HT)
- after the activation of a switch-off test
- after flame disappearance during operation
- after disconnecting and reconnecting the electrical supply

4.13.6 Setting a long pre-purging

The flame control allows you to set the long pre-purging, see paragraph “**Block diagram for entering the menu**” on page 26.

Sequence for setting a long pre-purging

- Programming allowed in OPERATING mode and in STAND-BY
- Press the button for 30 sec. $\leq t < 35$ sec.
- GREEN led blinking 5 times
- Release the button.
- GREEN led OFF
- Press the button 1 time to enable the long pre-purging (*)
- Press the button 2 times to disable the long pre-purging (*)
- GREEN led ON and OFF every time press and release
- After 10 sec., the GREEN LED will blink for the number of times programmed (0.5 sec. ON; 0.5 sec. OFF).

4.13.7 Displaying the lockout log

The flame control allows you to display the last 10 lockouts that occurred and were logged, accessing the "Programming menu" on page 26.

Access to this page is possible both in STAND-BY, as well as in the OPERATING status.

Display sequence of the last lockout that occurred

- Keep the button pressed for 35 sec. = $t < 40$ sec.
- The GREEN led blinks 6 times.
- Release the button.
- Displaying the type of lockout memorised for 10 sec.

The time displaying the type of lockout can be extended by repressing the reset button during the display of the lockout (the lockout display continues for another 10s).

4.13.8 Resetting the programming menu parameters and the lockout log

The flame control allows you to reset the log and the number of lockouts, the operating hours, the number of ignitions and recover the menu's default, see paragraph "Block diagram for entering the menu" on page 26.

Sequence for setting and restoring the parameters

- Programming allowed in OPERATING mode and in STAND-BY.
- Press the button for 40 sec. $\leq t < 45$ sec.
- The GREEN led blinks 7 times.
- Release the button.
- GREEN led OFF
- Press the button 1 time to reset the lockout log (*)
- Press the button 2 times to reset the number of lockouts (*)
- Press the button 3 times to reset the number of hours operating with flame (*)
- Press the button 4 times to reset the number of heat requests (*)
- Press the button 5 times to reset all the default values of the parameters of the PROGRAMMING MENU (*)
- GREEN led ON and OFF every time press and release
- After 10 sec., the GREEN LED will blink for the number of times programmed (0.5 sec. ON; 0.5 sec. OFF).

NOTE:

(*) Always wait 1 sec. with each pressing and release of the button to ensure the command is logged correctly.

4.14 Lockout types

Whenever a lockout occurs, the flame control shows the reasons for the fault (and the reasons can be identified by the reset button colour).

The sequence of pulses issued by the flame control of the LED in the reset button identifies the possible types of fault, which are listed in the table below:

| Lockout description | Lockout time | Led colour (*) | Possible cause |
|--|---|----------------|--|
| Presence of parasite flame during stand-by or the post-purging | After 25 seconds | ▲▲▲▲ | - presence of a false flame after heat request or during post-purging |
| Detection of parasite flame during pre-purging | After 1 second | ▲▲▲▲ | - presence of false flame signal during pre-purging |
| The flame is not detected after the safety time | 3 seconds after the activation of the gas valve | ▲▲▲▲ | - ionisation probe faulty or not connected - gas valve - faulty ignition transformer - badly regulated burner |
| Flame failure during operation | After 3 recycles | ▲▲▲▲ | - burner not calibrated correctly - ionisation probe faulty |
| Fan motor error | Immediate | ▲●▲● | - faulty fan motor - fan motor not connected |
| Fault with the internal control of the 1st stage gas valve | Immediate | ▲■▲■ | - gas valve - internal control circuit of the 1st stage gas valve faulty |
| Eeprom error | Immediate | ●■●■ | - faulty internal memory |
| Lockout due to air pressure switch not closing after a heat request or after a recycle due to flame loss during operation | After 15 seconds | ▲■▲■ | - the air pressure is too low, (the head has been poorly adjusted) - The air pressure switch is defective: change it |
| Lockout for loss of air pressure or after repetition of the pre-purging due to loss of air, or 10 sec before the end of the pre-purging, or during the safety time, or during normal operation | After 1 second | ▲▲▲▲ | - the air pressure is too low, (the head has been poorly adjusted) - the air pressure switch is defective: change it |
| Lockout due to air pressure switch already switched to closing of the heat request thermostat or after a recycle due to flame loss during operation | After 120 seconds | ▲●▲● | - the air pressure switch is changed over to the operational position, change the pressure switch - the fan motor continues to be powered, check the lockout of the flame control |

Tab. M

(*) For the blinking frequency of the reset button see paragraph “**Fault diagnostics - lockouts**” on page 21.



To reset the flame control after visual diagnostics have been displayed, you must press the reset button.



In the event the burner stops, in order to prevent any damage to the installation, do not unblock the burner more than twice in a row. If the burner locks out for a third time, contact the customer service.



In the event there are further lockouts or faults with the burner, the maintenance interventions must only be carried out by qualified, authorised personnel, in accordance with the contents of this manual and in compliance with the standards and regulations of current laws.

5 Start-up, calibration and operation of the burner

5.1 Notes on safety for the first start-up



The first start-up of the burner must be carried out by qualified personnel, as indicated in this manual and in compliance with the standards and regulations of the laws in force.



Check the correct working of the adjustment, command and safety devices.



Refer to paragraph “Safety test - with gas ball valve closed” on page 31 before the first start-up.

5.2 Adjustments prior to ignition

- Check the adjustment of the head as shown in page 14.
- Check that the air damper has been correctly adjusted.
- Slowly open the manual valves situated upstream from the gas train.
- Adjust the air pressure switch (Fig. 24) to the start of the scale.

- Purge the air from the gas line. We recommend using a plastic tube routed outside the building and to purge air until gas is smelt.



Before starting up the burner, it is good practice to adjust the gas train so that ignition takes place in conditions of maximum safety, i.e. with gas delivery at the minimum.

5.3 Combustion adjustment

In conformity with EN 676 the application of the burner on the boiler, adjustment and testing must be carried out observing the instruction manual of the boiler, including verification of the CO

and CO₂ concentration in the flue gases, their temperatures and the average temperature of the water in the boiler.

It is advisable to set the burner according to the type of gas used and following the indications in Tab. N.

| EN 676 | | Air excess: max. output. $\lambda \leq 1.2$ – min. output $\lambda \leq 1.3$ | | | |
|--------|--|--|-----------------|------------|------------------------|
| GAS | Theoretical max CO ₂ 0 % O ₂ | Setting CO ₂ % | | CO mg/kWh | NO _x mg/kWh |
| | | $\lambda = 1.2$ | $\lambda = 1.3$ | | |
| G 20 | 11.7 | 9.7 | 9.0 | ≤ 100 | ≤ 170 |
| G 25 | 11.5 | 9.5 | 8.8 | ≤ 100 | ≤ 170 |
| G 30 | 14.0 | 11.6 | 10.7 | ≤ 100 | ≤ 230 |
| G 31 | 13.7 | 11.4 | 10.5 | ≤ 100 | ≤ 230 |

Tab. N

5.4 Air pressure switch

Adjust the air pressure switch (Fig. 24) after performing all other burner adjustments with the air pressure switch set to the start of the scale.

With the burner function at the required output, turn the knob slowly in a clockwise direction until burner lockout.

Then turn the knob anticlockwise to an extent that is around 20% of the adjusted value and then check that the burner starts up properly.

If the burner locks out again turn the knob slightly in an anticlockwise direction.



In conformity with the standard, the air pressure switch must prevent the air pressure falling below 80% of the adjusted value and the CO in the flue gases exceeding 1% (10,000 ppm).

To check this, insert a combustion analyser in the flue, slowly reduce the burner air setting (for example with a piece of cardboard) and verify that the burner locks out before the CO value in the flue gases exceeds 1%.

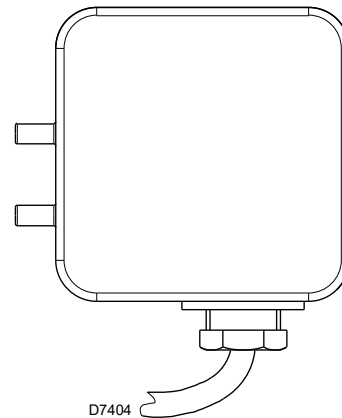


Fig. 24

6 Maintenance

6.1 Notes on safety for the maintenance

The periodic maintenance is essential for the good operation, safety, yield and duration of the burner.

It allows you to reduce consumption and polluting emissions and to keep the product in a reliable state over time.



The maintenance interventions and the calibration of the burner must only be carried out by qualified, authorised personnel, in accordance with the contents of this manual and in compliance with the standards and regulations of current laws.

Before carrying out any maintenance, cleaning or checking operations:



Disconnect the electrical supply from the burner by means of the main system switch.



Turn off the fuel interception tap.



Wait for the components in contact with heat sources to cool down completely.

6.2 Maintenance programme

6.2.1 Maintenance frequency



The gas combustion system should be checked at least once a year by a representative of the manufacturer or another specialised technician.

6.2.2 Safety test - with gas ball valve closed

It is fundamental to ensure the correct execution of the electrical connections between the gas solenoid valves and the burner to perform safely the commissioning.

For this purpose, after checking that the connections have been carried out in accordance with the burner's electrical diagrams, an ignition cycle with closed gas ball valve -dry test- must be performed.

- 1 The manual ball gas valve must be closed
- 2 The electrical contacts of the burner limit switch need to be closed
- 3 Ensures closed the contact of the low gas pressure switch
- 4 Make a trial for burner ignition.

The start-up cycle must be as follows:

- Starting the fan for pre-ventilation
- Performing the gas valve seal control, if provided
- Completion of pre-ventilation
- Arrival of the ignition point
- Power supply of the ignition transformer
- Electrical Supply of solenoid gas valves

Since the manual gas ball valve is closed, the burner will not light up and its flame control will go to a safety lockout condition.

The actual electrical supply of the solenoid gas valves can be verified by inserting a tester. Some valves are equipped with light signals (or close/open position indicator) that turn on at the same time as their power supply.



IF THE ELECTRICAL SUPPLY OF THE GAS VALVES OCCURS AT UNEXPECTED TIMES, DO NOT OPEN MANUAL GAS BALL VALVE, SWITCH OFF POWER LINE; CHECK THE WIRES; CORRECT THE ERRORS AND REPEAT THE COMPLETE TEST.

6.2.3 Checking and cleaning



The operator must use the required equipment during maintenance.

Combustion head

Check that the positioning of the combustion head is correct and that it is properly fixed to the boiler.

Open the burner and make sure that all components of the combustion head are in good condition, not deformed by the high temperatures, free of impurities from the surroundings and correctly positioned.

Burner

Check that there are not excess wear or loosen screws.
Clean the outside of the burner.

Fan

Check that the air damper is positioned correctly.
Check to make sure that no dust has accumulated inside the fan or on its blades, as this condition will cause a reduction in the air flow rate and provoke polluting combustion.

Boiler

Clean the boiler as indicated in its accompanying instructions in order to maintain all the original combustion characteristics intact, especially the flue gas temperature and combustion chamber pressure.

Gas train

Check that the gas train is suited to the burner capacity, the type of gas used and the mains gas pressure.

Electrode-probe

Checking the proper positioning of the ionisation probe and electrode as shown in Fig. 10 on page 13.

Pressure switches

Check that the air pressure switch and the gas pressure switch are set correctly.

Gas leaks

Make sure that there are no gas leaks on the pipe between the gas meter and the burner.

Gas filter

Change the gas filter when it is dirty.

Combustion

Check there are no occlusions or obstructions in the fuel supply or return lines, in the air suction areas, and in the combustion product waste pipe.

Carry out an analysis of the combustion flue gases.

Significant differences with respect to the previous measurements indicate the points where most care should be exercised during maintenance.

If the combustion values measured before starting maintenance do not comply with applicable legislation or do not indicate efficient combustion, consult the Tab. N on page 30 or contact our Technical Support Service to implement the necessary adjustments.

Leave the burner working without interruptions for 10 min. and set rightly all the components stated in this manual. Then carry out a combustion check verifying:

- Percentage of CO₂ (%);
- CO content (ppm)
- NOx content (ppm)
- Ionisation current (µA)
- Smoke temperature at the flue

6.2.4 Safety components

The safety components must be replaced at the end of their life cycle indicated in Tab. O.

The specified life cycles do not refer to the warranty terms indicated in the delivery or payment conditions.

| Safety component | Life cycle |
|--|--------------------------------------|
| Flame control | 10 years or 250,000 operation cycles |
| Flame sensor | 10 years or 250,000 operation cycles |
| Gas valves (solenoid) | 10 years or 250,000 operation cycles |
| Pressure switches | 10 years or 250,000 operation cycles |
| Pressure adjuster | 15 years |
| Servomotor (electronic cam) (if present) | 10 years or 250,000 operation cycles |
| Oil valve (solenoid) (if present) | 10 years or 250,000 operation cycles |
| Oil regulator (if present) | 10 years or 250,000 operation cycles |
| Oil pipes/ couplings (metallic) (if present) | 10 years |
| Fan impeller | 10 years or 500,000 start-ups |

Tab. O

6.3 Opening the burner



Disconnect the electrical supply from the burner by means of the main system switch.



Turn off the fuel interception tap.



Wait for the components in contact with heat sources to cool down completely.

If maintenance of the combustion head is required, refer to the instructions given in "Operating position" on page 12.

For accessing to the interior of the burner, loosen the screws that secure the cover and proceed with the maintenance operation.



Operating safety hazards

Repairs to the following components may only be carried out by the respective manufacturers or by personnel instructed by them:

- fan motor
- electromagnetic valves
- burner programmer

Check the operation

- Start-up of the burner with a sequence of functions (see chapter "Operating programme" on page 19).
- Ignition device
- Air pressure switch
- Flame monitoring
- Tightness test of components to the passage of fuel



After carrying out maintenance, cleaning or checking operations, reassemble the cover and all the safety and protection devices of the burner.

7 Faults - Possible causes - Solutions

Here below you can find some causes and the possible solutions for some problems that could cause a failure to start or a bad working of the burner

In most cases, an operation irregularity leads to the lighting up of the signal inside the reset button of the flame control (Fig. 4 on page 9).

When lockout lamp lights the burner will attempt to light only after pushing the reset button. After this if the burner functions correctly, the lockout can be attributed to a temporary fault.

However, if lockout continues, you must determine the cause of the problem and take the action illustrated in Tab. P and Tab. Q.



In the event the burner stops, in order to prevent any damage to the installation, do not unblock the burner more than twice in a row. If the burner locks out for a third time, contact the customer service.



In the event there are further lockouts or faults with the burner, the maintenance interventions must only be carried out by qualified, authorised personnel, in accordance with the contents of this manual and in compliance with the standards and regulations of current laws.

7.1 Start-up problems

| Faults | Possible Causes | Solution |
|---|---|--|
| The burner does not start when the heat request thermostat closes. | Lack of electrical supply. | Check presence of voltage in the L1-N clamps of the 7 pin plug. Check the conditions of the fuses. Check that safety thermostat (TS) is not in lockout. |
| | Lack of gas. | Check the manual cock opening. Check that the valves change over to the opening position and there are not short circuits. |
| | The gas pressure switch does not close its contact. | Adjust them. |
| | The connections in the flame control are wrongly inserted. | Check and connect completely all the plugs. |
| | The air pressure switch is changed over to the operational position. | Replace the pressure switch. |
| Burner runs normally in pre-purging and ignition cycle and locks out after the safety time. | The phase-neutral connection is inverted. | Invert them. |
| | The earth connection lacks or is inefficient. | Make the earth connection efficient. |
| | The ionisation probe is earthed or not in contact with the flame, or its wiring to the flame control is broken, or there is a fault on its insulation to the earth. | Check the right position and if necessary set it according to the instructions of this manual. Reset the electrical connection. Replace the faulty connection. |
| | | |
| Burner starts with an ignition delay. | The ignition electrodes is wrongly positioned. | Adjust it according to the instructions of this manual. |
| | Air output is too high. | Set the air output according to the instructions of this manual. |
| | Valve brake is too close with insufficient gas output. | Adjust it. |
| The burner locks out after the pre-purge phase due to flame-failure. | The solenoid valves is passing too little gas. | Check the pressure in the network and/or adjust the solenoid valve according to the instructions of this manual. |
| | The solenoid valves are defective. | Change them. |
| | The ignition arc is irregular or has failed. | Check the right insertion of the connectors. Check the right position of the electrode according to the instructions of this manual. |
| | The pipe has not been purged from the air. | Carry out a complete breathing of the line of gas-supply. |

| Faults | Possible Causes | Solution |
|---|--|---|
| The burner locks out during the pre-purge phase. | The air pressure switch does not change over to the operational position. | The pressure switch is faulty, change it. The air pressure is too low, (the head is bad adjusted). |
| | The flame exists. | Faulty valves: replace them. |
| The burner continues to repeat the starting cycle without going on lockout. | The gas pressure in the gas-mains lies very close to the value to which the gas pressure switch has been set. The sudden drop in pressure when the valve is opened provokes the opening of the pressure switch itself, so the valve closes again immediately and the motor stops. The pressure then starts to increase again, the pressure switch closes, the start-up cycle begins again and so on. | Lower and set the pressure switch. |

Tab. P

7.2 Operating faults

| Fault | Possible Causes | Solution |
|--|-------------------------------|--|
| The burner locks out during operation. | Earth probe. | Check the right position and if necessary set it according to the instructions of this manual. Clean or replace the ionisation probe. |
| | The flame disappears 4 times. | Check the gas pressure in the network and/or adjust the solenoid valve according to the instructions of this manual. |
| | Air pressure switch opening. | The air pressure is too low, (the head is bad adjusted). The air pressure switch is faulty: change it. |
| Burner shut down. | Gas pressure switch opening. | Check the pressure in the network and/or adjust the solenoid valve according to the instructions of this manual. |

Tab. Q

A Appendix - Accessories**Long head kit**

| Burner | Standard length (mm) | Long head length (mm) | Code |
|---------------|-------------------------|--------------------------|---------|
| RIELLO 40 FS5 | 100 | 125 | 3000820 |

Conical flame funnel with diffuser disc

| Burner | Projection (mm) | Code |
|---------------|--------------------|---------|
| RIELLO 40 FS5 | + 15 | 3000916 |

LPG kit

| Burner | Code |
|---------------|---------|
| RIELLO 40 FS5 | 3000882 |

Town gas kit

| Burner | Code |
|---------------|---------|
| RIELLO 40 FS5 | 3000889 |

Remote reset kit for flame control

| Burner | Code |
|---------------|---------|
| RIELLO 40 FS5 | 3002750 |

Air suction kit

| Burner | Code |
|---------------|----------|
| RIELLO 40 FS5 | 20027576 |

Faults kit

| Burner | Code |
|---------------|---------|
| RIELLO 40 FS5 | 3001180 |

7 pin plug kit

| Burner | Code |
|---------------|---------|
| RIELLO 40 FS5 | 3000945 |

Gas trains in compliance with EN 676

Please refer to manual.



The installer is responsible for the addition of any safety device not foreseen in this manual.

RIELLO

RIELLO S.p.A.
I-37045 Legnago (VR)
Tel.: +39.0442.630111
[http:// www.riello.it](http://www.riello.it)
[http:// www.riello.com](http://www.riello.com)