

GB **Forced draught gas burners**
E **Quemadores de gas con aire soplado**

Progressive two-stage or modulating operation
Funcionamiento a dos llamas progresivo o modulante

CE

**UK
CA**

EAC

CODE - CÓDIGO	MODEL - MODELO	TYPE - TIPO
3789610	RS 70/M	828T1
3789611	RS 70/M	828T1
3787082	RS 70/M	828T80
3787083	RS 70/M	828T80
3789710	RS 100/M	829T1
3789711	RS 100/M	829T1
3787282	RS 100/M	829T80
3787283	RS 100/M	829T80
3789810	RS 130/M	830T1
3789811	RS 130/M	830T1
3787482	RS 130/M	830T80
3787483	RS 130/M	830T80

Section		Page
1	Information and general warnings	2
	1.1 Information about the instruction manual	2
	1.2 Guarantee and responsibility	2
2	Safety and prevention	3
	2.1 Introduction	3
	2.2 Personnel training	3
3	Technical description of the burner	4
	3.1 Burner designation	4
	3.2 Models available	4
	3.3 Burner categories - Countries of destination	4
	3.4 Technical data	5
	3.5 Electrical data	5
	3.6 Burner weight	6
	3.7 Overall dimensions	6
	3.8 Firing rates	7
	3.9 Burner components	8
	3.10 Burner equipment	9
	3.11 Flame control	9
	3.12 Servomotor	9
4	Installation	10
	4.1 Notes on safety for the installation	10
	4.2 Handling	10
	4.3 Preliminary checks	10
	4.4 Operating position	11
	4.5 Securing the burner to the boiler	11
	4.6 Combustion head adjustment	13
	4.7 Assembly of the gas train	14
	4.8 Gas feeding line	15
	4.9 Electrical wiring	16
	4.10 Calibration of the thermal relay	17
5	Start-up, calibration and operation of the burner	18
	5.1 Notes on safety for the first start-up	18
	5.2 Operations before start-up	18
	5.3 Burner start-up	19
	5.4 Burner ignition	19
	5.5 Burner adjustment	19
	5.6 Operation sequence of the burner	22
	5.7 Burner flame goes out during operation	22
	5.8 Stopping of the burner	22
	5.9 Measuring the ionisation current	23
	5.10 Checking the air and gas pressure on the combustion head	23
	5.11 Final checks (with burner operating)	23
6	Faults - Probable causes - Solutions	24
	6.1 Normal operation / flame detection time	25
7	Maintenance	26
	7.1 Notes on safety for the maintenance	26
	7.2 Maintenance programme	26
	7.3 Opening the burner	28
	7.4 Closing the burner	28
A	Appendix - Electrical panel layout	29
B	Appendix - Accessories (on request)	35
C	Appendix - Gas supply pressure	37
D	Appendix - Firing rate on basis of air density	38

1.1 Information about the instruction manual

Introduction

The instruction manual supplied with the burner:

- is an integral and essential part of the product and must not be separated from it; it must therefore be kept carefully for any necessary consultation and must accompany the burner even if it is transferred to another owner or user, or to another system. If the manual is lost or damaged, another copy must be requested from the Technical Assistance Service **Riello** of the area;
- is designed for use by qualified personnel;
- offers important indications and instructions relating to the installation safety, start-up, use and maintenance of the burner.

Symbols used in the manual

In some parts of the manual you will see triangular DANGER signs. Pay great attention to these, as they indicate a situation of potential danger.

GENERAL DANGERS

The **dangers** can be of **3 levels**, as indicated below.



Maximum danger level!
This symbol indicates operations which, if not carried out correctly, cause serious injury, death or long-term health risks.



This symbol indicates operations which, if not carried out correctly, may cause serious injury, death or long-term health risks.



This symbol indicates operations which, if not carried out correctly, may cause damage to the machine and/or injury to people.

1.2 Guarantee and responsibility

Riello guarantees its new products from the installation date, in accordance with the regulations in force and/or the sales contract. At the moment of the first start-up, check that the burner is integral and complete.



Failure to observe the information given in this manual, operating negligence, incorrect installation and carrying out of non authorised modifications will result in the annulment by **Riello** of the guarantee that it supplies with the burner.

In particular, the rights to the guarantee and the responsibility will no longer be valid, in the event of damage to things or injury to people, if such damage/injury was due to any of the following causes:

- incorrect installation, start-up, use and maintenance of the burner;
- improper, incorrect or unreasonable use of the burner;
- intervention of unqualified personnel;
- carrying out of non authorised modifications on the equipment;
- use of the burner with safety devices that are faulty, incorrectly applied and/or not working;
- installation of untested supplementary components on the burner;

DANGER: LIVE COMPONENTS



This symbol indicates operations which, if not carried out correctly, lead to electric shocks with lethal consequences.

Other symbols



ENVIRONMENTAL PROTECTION

This symbol gives indications for the use of the machine with respect for the environment.

- This symbol indicates a list.

Abbreviations used

Ch.	Chapter
Fig.	Figure
Page	Page
Sec.	Section
Tab.	Table

Delivery of the system and the instruction manual

When the system is delivered, it is important that:

- The instruction manual is consigned to the user by the system manufacturer, with the recommendation to keep it in the room where the heat generator is to be installed.
- The instruction manual shows:
 - the serial number of the burner;
 - the address and telephone number of the nearest Assistance Centre;
- The system supplier must carefully inform the user about:
 - the use of the system,
 - any further tests that may be necessary before the system is started up,
 - maintenance and the need to have the system checked at least once a year by the Manufacturer or another specialised technician.
 To ensure a periodic check, **Riello** recommends the drawing up of a Maintenance Contract.

- powering of the burner with unsuitable fuels;
- faults in the fuel power supply system;
- use of the burner even following an error and/or an irregularity;
- repairs and/or overhauls incorrectly carried out;
- modification of the combustion chamber with inserts that prevent the regular development of the structurally established flame;
- insufficient and inappropriate surveillance and care of those burner components most likely to be subject to wear and tear;
- use of non-original **Riello** components, including spare parts, kits, accessories and optionals;
- force majeure.

Riello furthermore declines any and every responsibility for the failure to observe the contents of this manual.

2.1 Introduction

The **Riello** burners have been designed and built in compliance with current regulations and directives, applying the known technical rules of safety and envisaging all the potential danger situations.

It is necessary, however, to bear in mind that the imprudent and clumsy use of the equipment may lead to situations of death risk for the user or third parties, as well as the damaging of the burner or other items. Inattention, thoughtlessness and excessive confidence often cause accidents; the same applies to tiredness and sleepiness.

It is a good idea to remember the following:

- The burner must only be used as expressly described. Any other use should be considered improper and therefore dangerous.

In particular:

it can be applied to boilers operating with water, steam, diathermic oil, and to other users expressly named by the manufacturer;

the type and pressure of the fuel, the voltage and frequency of the electrical power supply, the minimum and maximum deliveries for which the burner has been regulated, the pressurisation of the combustion chamber, the dimensions of the combustion chamber and the room temperature must all be within the values indicated in the instruction manual.

- Modification of the burner to alter its performance and destinations is not allowed.
- The burner must be used in exemplary technical safety conditions. Any disturbances that could compromise safety must be quickly eliminated.
- Opening or tampering with the burner components is not allowed, apart from the parts requiring maintenance.
- Only those parts envisaged by the manufacturer can be replaced.

2.2 Personnel training

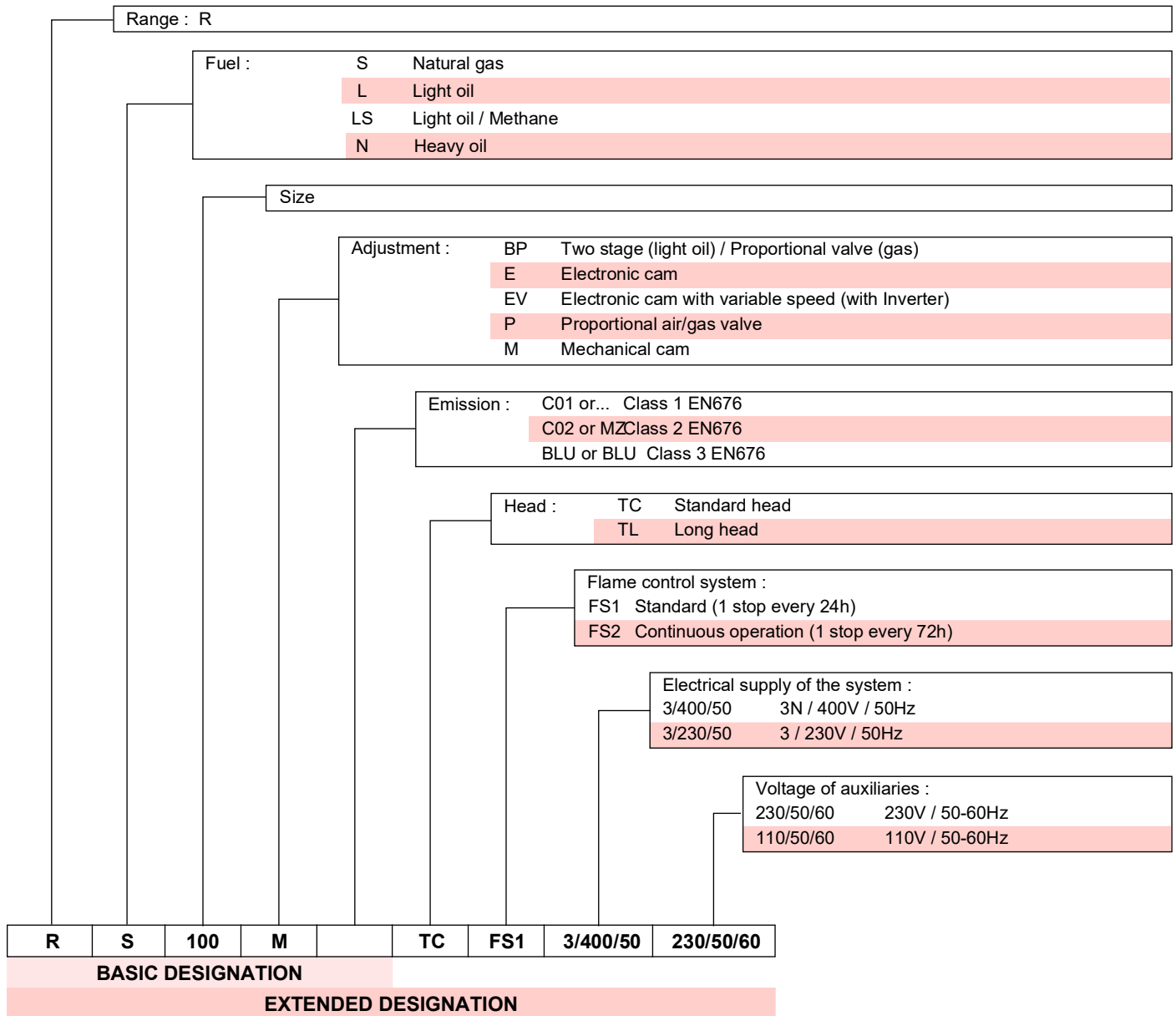
The user is the person, body or company that has acquired the machine and intends to use it for the specific purpose. He is responsible for the machine and for the training of the people working around it.

The user:

- undertakes to entrust the machine exclusively to suitably trained and qualified personnel;
- must take all the measures necessary to prevent unauthorised people gaining access to the machine;
- undertakes to inform his personnel in a suitable way about the application and observance of the safety instructions. With that aim, he undertakes to ensure that everyone knows the use and safety instructions for his own duties;
- must inform the Manufacturer if faults or malfunctioning of the accident prevention systems are noticed, along with any presumed danger situation.

- Personnel must always use the personal protective equipment envisaged by legislation and follow the indications given in this manual.
- Personnel must follow all the danger and caution indications shown on the machine.
- Personnel must not carry out, on their own initiative, operations or interventions that are not within their province.
- Personnel must inform their superiors of every problem or dangerous situation that may arise.
- The assembly of parts of other makes or any modifications can alter the characteristics of the machine and hence compromise operating safety. The manufacturer therefore declines any and every responsibility for any damage that may be caused by the use of non-original parts.

3.1 Burner designation



3.2 Models available

Designation		Voltage	Diagnostic	Voltage	Diagnostic
RS 70/M	TC	3 ~ 400 / 230V - 50Hz	3789610	3 ~ 380 / 220V - 60Hz	3787082
RS 70/M	TL	3 ~ 400 / 230V - 50Hz	3789611	3 ~ 380 / 220V - 60Hz	3787083
RS 100/M	TC	3 ~ 400 / 230V - 50Hz	3789710	3 ~ 380 / 220V - 60Hz	3787282
RS 100/M	TL	3 ~ 400 / 230V - 50Hz	3789711	3 ~ 380 / 220V - 60Hz	3787283
RS 130/M	TC	3 ~ 400 / 230V - 50Hz	3789810	3 ~ 380 / 220V - 60Hz	3787482
RS 130/M	TL	3 ~ 400 / 230V - 50Hz	3789811	3 ~ 380 / 220V - 60Hz	3787483

3.3 Burner categories - Countries of destination

Country of destination	Gas category
AT, BG, CH, CZ, DK, EE, FI, GR, HU, IS, IT, LT, NO, RO, SE, SK, SI, TR	I12H3B/P
ES, GB, IE, PT	I12H3P
LU, PL	I12E3B/P
BE	I2E(R) I3P
DE	I12ELL3B/P
CY, MT	I3B/P
NL	I12EK3B/P
FR	I12Er3P
LV	I2H

3.4 Technical data

Model			RS 70/M	RS 100/M	RS 130/M	RS 70/M	RS 100/M	RS 130/M
Type			828T1	829T1	830T1	828T80	829T80	830T80
Output ⁽¹⁾	maximum	kW Mcal/h	470 - 930 404 - 800	700 - 1340 602 - 1152	920 - 1600 791 - 1376	470 - 930 404 - 800	700 - 1340 602 - 1152	920 - 1600 791 - 1376
	minimum	kW Mcal/h	150 129	150 129	254 218	150 129	150 129	254 218
Fuel			Natural gas: G20 - G25					
Operation			Intermittent (min. 1 stop in 24 hours)					
Standard applications			Boilers: water. steam. diathermic oil					
Ambient temperature		°C	0 - 40					
Combustion air temperature		°C max	60					
Noise levels ⁽²⁾	Sound pressure	dB(A)	75	77	78,5	75	77	78,5
	Sound power		86	88	89,5	86	88	89,5
CE		No.	CE-0476DP3335			-		

(1) Reference conditions: Ambient temperature 20°C - Gas temperature 15°C - Barometric pressure 1013 mbar - Altitude 0m above sea level.

(2) Sound pressure measured in manufacturer's combustion laboratory, with burner operating on test boiler and at maximum rated output. The sound power is measured with the "Free Field" method, as per EN 15036, and according to an "Accuracy: Category 3" measuring accuracy, as set out in EN ISO 3746.

3.5 Electrical data

Type	828T1	829T1	830T1	
Main electrical supply	3 ~ 400/230V +/-10% 50Hz			
Control circuit power supply	1N ~ 230V 50Hz			
Absorbed electrical power	kW max	1,4	1,8	2,6
Protection level		IP 44		

Type	828T80	829T80	830T80	
Main electrical supply	3 ~ 380/220V +/-10% 60Hz			
Control circuit power supply	1N ~ 220V 60Hz			
Absorbed electrical power	kW max	1,4	1,8	2,6
Protection level		IP 44		

3.6 Burner weight

The weight of the burner complete with its packaging is shown in table.

Model	kg
RS 70/M	70
RS 100/M	73
RS 130/M	76

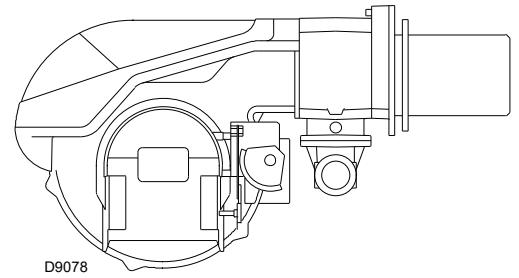


Fig. 1

3.7 Overall dimensions

The dimensions of the burner are shown in Fig. 2.

Bear in mind that inspection of the combustion head requires the burner to be opened and the rear part drawn back on the guides.

The dimensions of the open burner are indicated by position I.

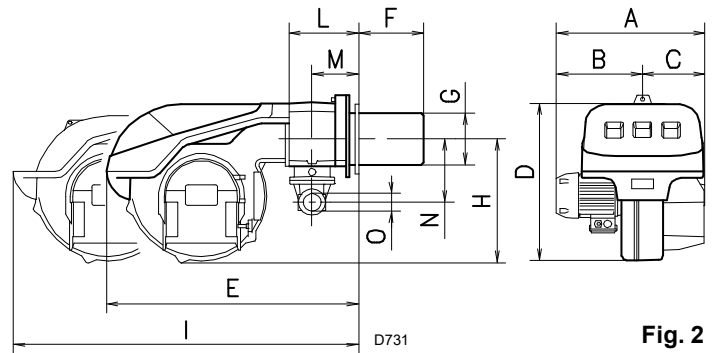
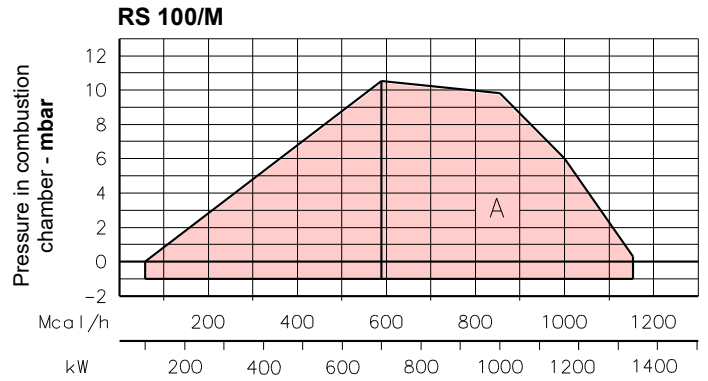
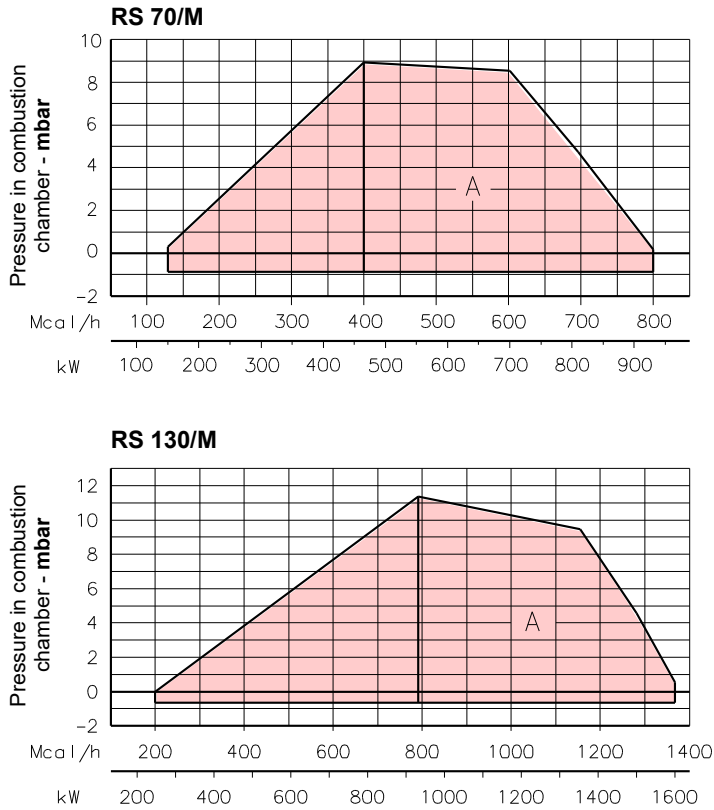


Fig. 2

mm	A	B	C	D	E	F ⁽¹⁾	G	H	I ⁽¹⁾	L	M	N	O
RS 70/M	511	296	215	555	840	250-385	179	430	1161-1296	214	134	221	2"
RS 100/M	527	312	215	555	840	250-385	179	430	1161-1296	214	134	221	2"
RS 130/M	553	338	215	555	840	280-415	189	430	1161-1296	214	134	221	2"

(1) Blast tube: short-long

3.8 Firing rates



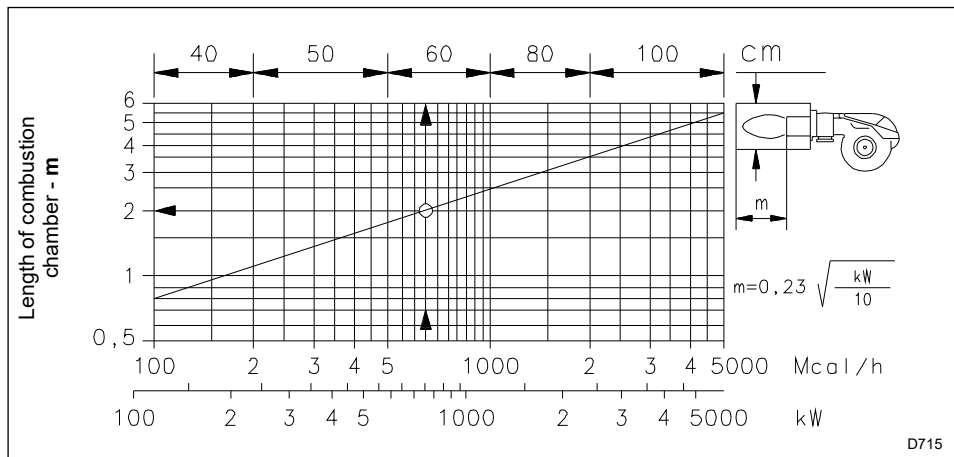
The **maximum output** is chosen within area **A** of the diagram.

The **minimum output** must not be lower than the minimum limit of the diagram.

Warning

The firing rate was obtained considering an ambient temperature of 20°C and an atmospheric pressure of 1013 mbar (approx. 0 m above sea level), with the combustion head adjusted as shown in Ch. 4.6.

Fig. 3



The firing rates were obtained in special test boilers, according to EN 676 regulations.

Fig. 4 indicates the diameter and length of the test combustion chamber.

Example

Output 756 kW (650 Mcal/h):
diameter 60 cm,
length 2m.

The coupling is ensured when the boiler is EC type-approved; for boilers or ovens with combustion chambers of very different dimensions compared to those shown in the diagram of Fig. 4, preliminary checks are recommended.

Fig. 4

3.9 Burner components

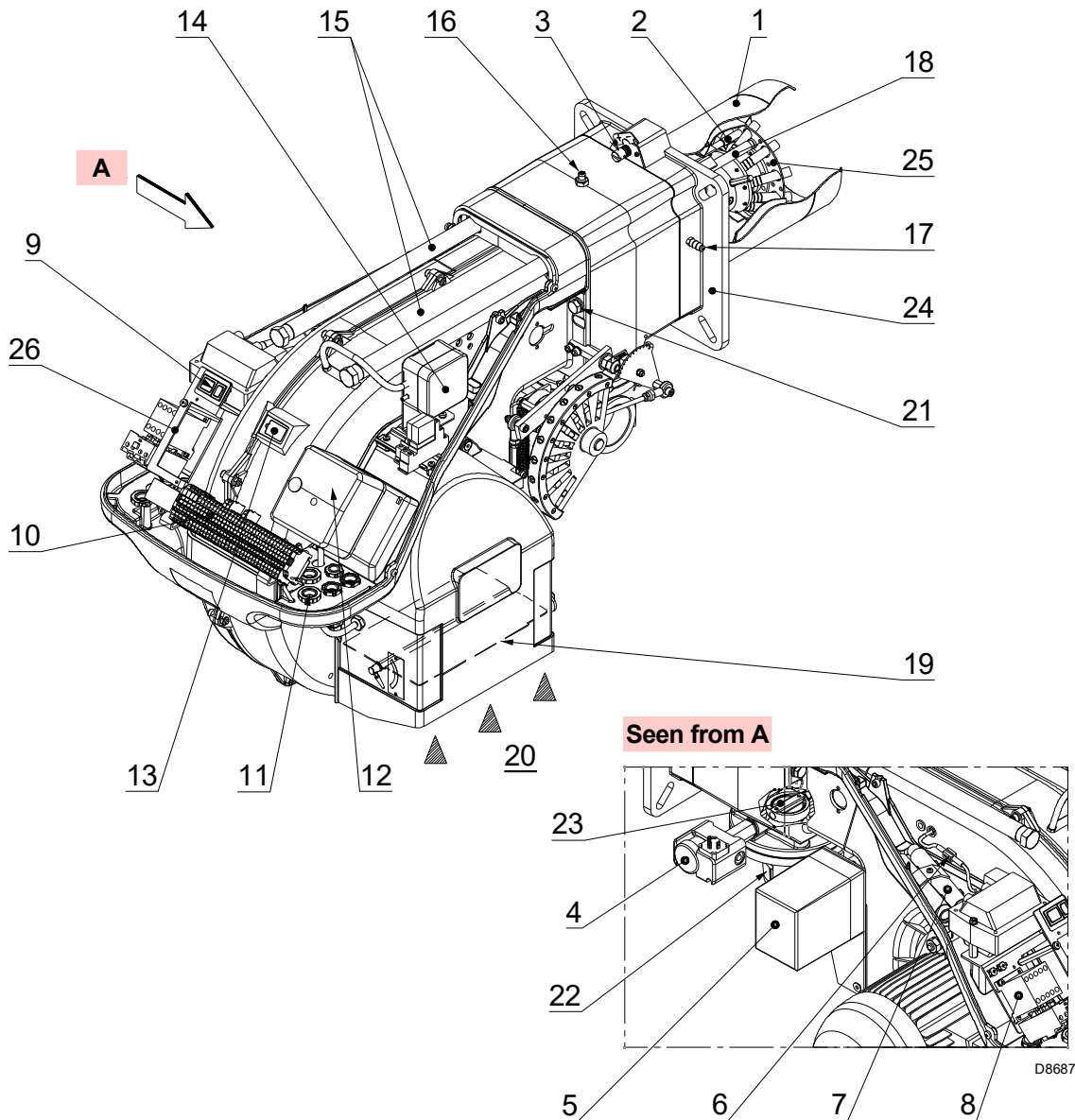


Fig. 5

- | | | | | | |
|---|--|----|---|----|---|
| 1 | Combustion head | 8 | Motor contact maker and thermal relay with reset button | 16 | Gas pressure test point and head fixing screw |
| 2 | Ignition electrode | 9 | Power switch for: automatic - manual - off | 17 | Air pressure socket |
| 3 | Screw for combustion head adjustment | 10 | Terminal board for electrical wiring | 18 | Flame sensor probe |
| 4 | Maximum gas pressure switch | 11 | Cable grommets for electrical wiring (to be carried out by the installer) | 19 | Air damper |
| 5 | Servomotor controlling the gas butterfly valve and the air damper valve (by means of an adjustable profile cam mechanism). | 12 | Flame control with lockout pilot light and lockout reset button | 20 | Fan air inlet |
| | When the burner is not operating the air gate valve is fully closed in order to reduce heat dispersion from the boiler due to the flue draught which draws air from the fan suction inlet. | 13 | Flame inspection window | 21 | Screws to secure fan to pipe coupling |
| 6 | Plug-socket on ionisation probe cable | 14 | Air pressure switch (differential operating type) | 22 | Gas input pipe |
| 7 | Extensions for slide bars 15) | 15 | Slide bars for opening the burner and inspecting the combustion head | 23 | Gas butterfly valve |
| | | | | 24 | Boiler fixing flange |
| | | | | 25 | Flame stability disc |
| | | | | 26 | Bracket for application of output power regulator RWF |

3.10 Burner equipment

The burner is supplied complete with:

- Gas train flange
- Flange gasket
- 4 screws to fix the M8x25 flange
- Thermal insulation screen
- Extensions 7) per guides 15): only TL versions
- 4 screws to fix the M12x35 burner flange to the boiler
- Instruction manual
- Spare parts list



It is recommended to tighten the screws of the gas flange with a tightening torque of **30 Nm ±10%**.



Tighten the nuts gradually (first to 30%, then to 60% up to 100%) according to the cross pattern shown in the figure.

3.11 Flame control

Introduction

The RMG/M 88.62... flame control included in burners of **RS** range is designed to control and start up forced draught gas burners with intermittent operation.

In compliance with:

- Technical Standard EN676 (gas burners)
- Technical Standard EN298 (gas appliances)



Fig. 6



All the installation, maintenance and disassembly operations must be carried out with the electricity supply disconnected. To avoid damaging things or injuring people, do not open or alter the flame control.



The installation of the burner must be carried out by qualified personnel, in compliance with the standards and regulations of the laws in force.

Technical Data

Electrical supply	AC 220.....240V +10% / -15%
Frequency	50.....60 Hz +/- 6%
Internal fuse	T6,3H250V
Operation below the nominal value of electrical supply	
Minimum operation value on reduction of electrical supply below nominal value	approx. AC 160 V
Minimum operation value on increase in electrical supply towards nominal value	approx. AC 175 V
Maximum load of the contacts:	

Alarm exit	
Nominal power supply	AC 230V, 50/60 Hz
Maximum current	0.5 A
Allowed cable length	
Thermostat	max. 20 m at 100 pF/m
Air pressure switch	max. 1 m at 100 pF/m
CPI	max. 1 m at 100 pF/m
Gas pressure switch	max. 20 m at 100 pF/m
Flame detector	max. 1 m
Remote reset	max. 20 m at 100 pF/m
M4 screws tightening torque	max. 0.8 Nm

3.12 Servomotor

The servomotor provides simultaneous adjustment for the air damper, by means of the adjustable profile cam and the gas butterfly valve. The servomotor rotates by 130° in 42 seconds.



Do not alter the factory setting for the 5 cams; simply check that they are set as indicated below:

Cam I: 130°

Limits rotation toward maximum position.

When the burner is at MAX output, the gas butterfly valve must be fully open: 90°.

Cam II: 0°

Limits rotation toward minimum position.

When the burner is shut down, the air damper and gas butterfly valve must be closed: 0°.

Cam III: 30°

Adjusts the ignition position and the MIN output.

Cam V: integrated to cam III.

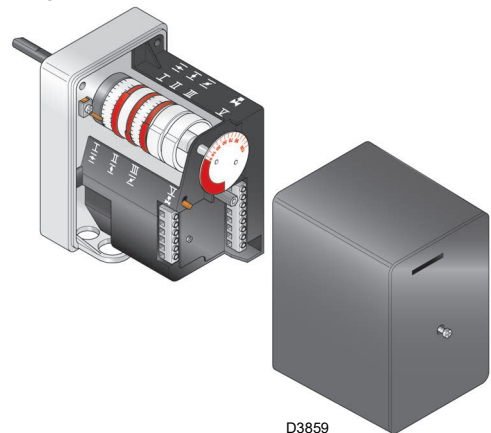


Fig. 7

4.4 Operating position

The burner is designed to operate only in the positions **1, 2, 3 and 4**.

Installation **1** is preferable, as it is the only one that allows the maintenance operations as described in this manual. Installations **2, 3 and 4** permit operation but make maintenance and inspection of the combustion head more difficult.

Any other position could compromise the correct operation of the appliance. Installation **5** is prohibited for safety reasons.

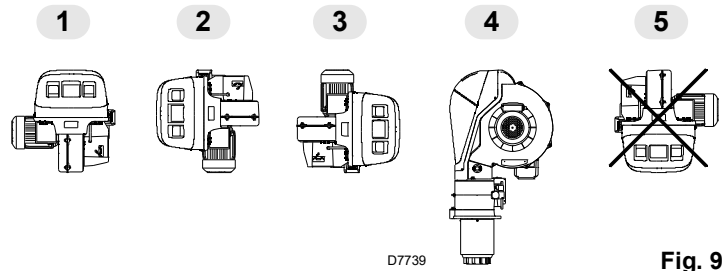


Fig. 9

4.5 Securing the burner to the boiler

Preparing the boiler

Boring the boiler plate

Make holes in the plate shutting off the combustion chamber, as illustrated in Fig. 10. The position of the threaded holes can be marked using the thermal insulation screen supplied with the burner.

mm	A	B	C
RS 70/M	185	275 - 325	M 12
RS 100/M	185	275 - 325	M 12
RS 130/M	195	275 - 325	M 12

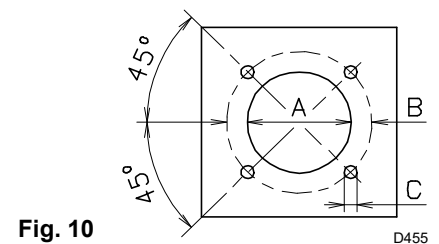


Fig. 10

Length of the blast tube

The length of the blast tube must be selected according to the indications provided by the manufacturer of the boiler, and in any case it must be greater than the thickness of the boiler door complete with its refractory. The available lengths L are those indicated in the table below.

Blast tube	short	long
RS 70/M	250 mm	385 mm
RS 100/M	250 mm	385 mm
RS 130/M	280 mm	415 mm

For boilers with front flue passes (15) or flame inversion chamber, a protection in refractory material (13) must be inserted between the boiler fitting (14) and the blast tube (12).

This protection must not compromise the extraction of the blast tube. See Fig. 11.

For boilers with a water-cooled frontal, a refractory lining (13)-14) is not necessary unless expressly requested by the boiler manufacturer.

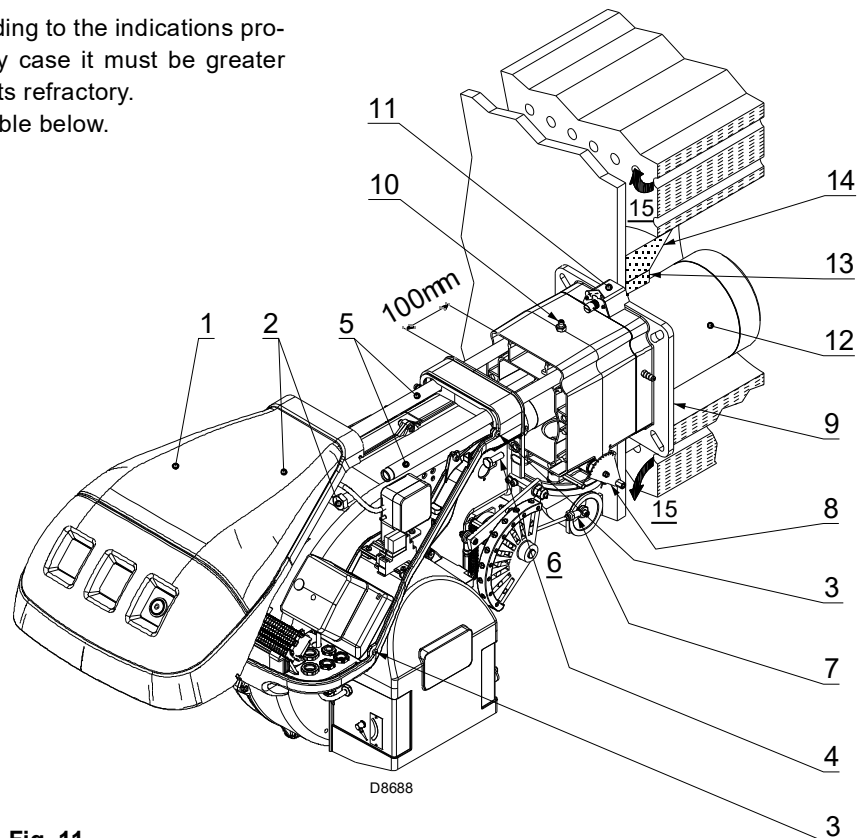


Fig. 11

Securing the burner to the boiler



WARNING

Before fixing the burner to the boiler, check from the opening of the blast tube that the probe and the electrode are correctly positioned, as in Fig. 12.

If, in the previous check, the position of the probe or electrode was not correct, remove the screw 1)(Fig. 13), extract the inner part 2)(Fig. 13) of the head, and adjust them.

Do not rotate the probe: leave it as in Fig. 12 since if it is located too close to the ignition electrode, the flame control amplifier may be damaged.

Separate the combustion head from the rest of the burner, Fig. 11.

To do this, proceed as follows:

- loosen the 4 screws 3) and remove the hood 1);
- disengage the articulated coupling 7) from the graduated sector 8);
- remove screws 2) from the two slide bars 5);
- remove the 2 screws 4) and pull the burner back on slide bars 5) by about 100 mm;
- disconnect the probe and electrode cables, then slide off the burner completely from the slide bars.

Once this operation has been carried out, fix the flange 11)(Fig. 11) to the boiler plate, interposing the insulating gasket 9)(Fig. 11) supplied.

Use the 4 screws supplied, with a tightening torque of 35 - 40 Nm, after protecting their thread with anti-seize products.



WARNING

The seal between burner and boiler must be airtight. After the start-up (see Ch. 5.3), check there is no leakage of flue gases into the external environment.

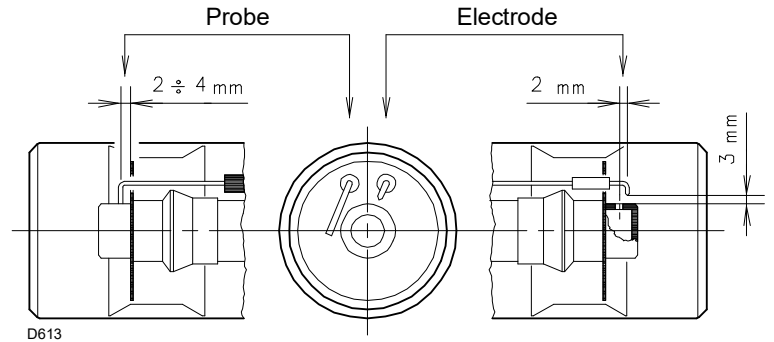


Fig. 12

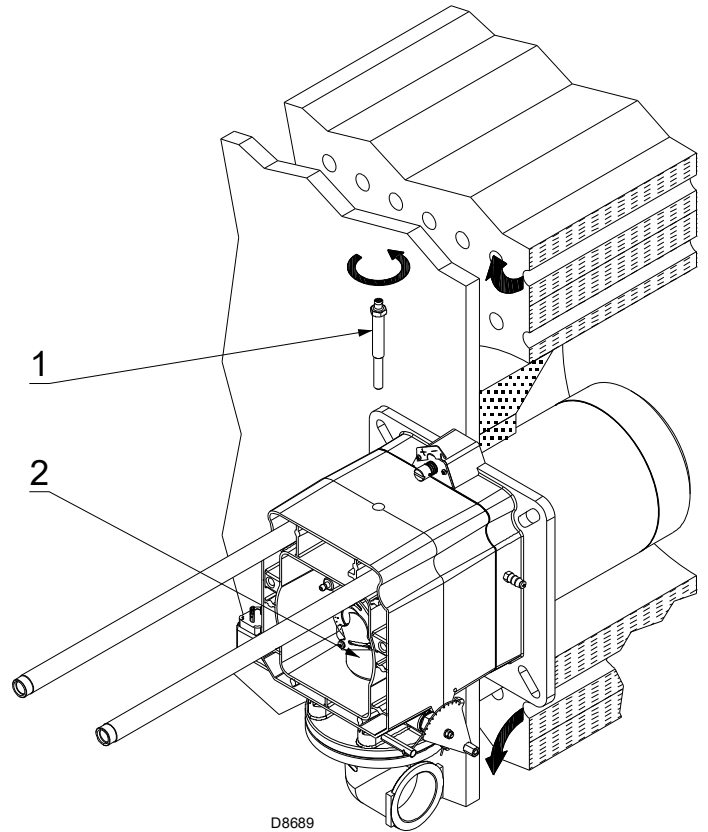


Fig. 13

4.6 Combustion head adjustment

At this point of the installation, the combustion head is fixed to the boiler as shown in Fig. 13.

Its adjustment is therefore particularly easy, which depends solely on the maximum burner output.

Two adjustments of the head are foreseen:

- ▶ the air adjustment;
- ▶ the gas adjustment.

In the diagram of Fig. 16, find the notch at which to adjust both air and central gas/air.

Air adjustment

Rotate the screw 2) until the notch you have found corresponds with the front surface 1) of the flange.



Important

To facilitate adjustment, loosen the screw 3) (Fig. 14), adjust and then lock.

Gas adjustment

Loosen the 4 screws) and rotate the ring nut 5) until the notch you have found corresponds with the index 3) (Fig. 14). Block the 3 screws 4).

Example

RS 70/M, burner output = 600 kW.

According to diagram Fig. 16 the gas and air adjustments for this output are carried out on notch 4.

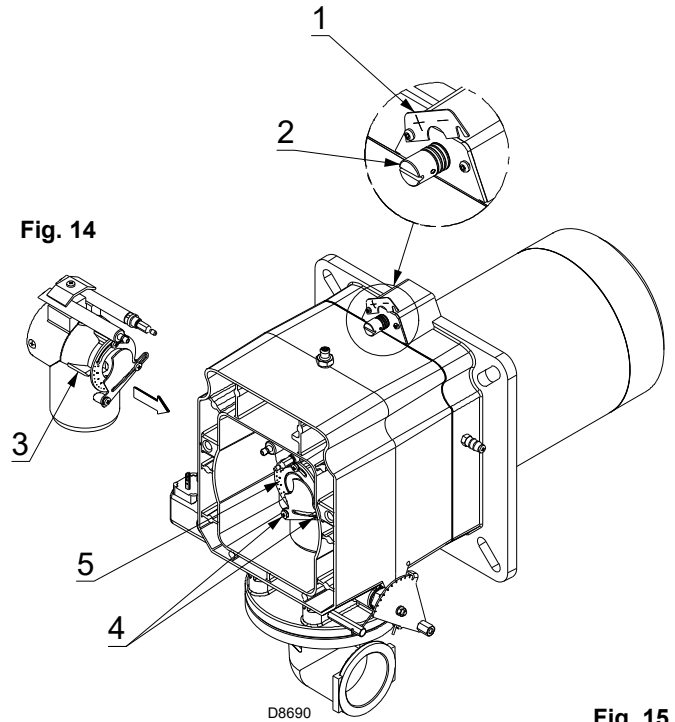


Fig. 15

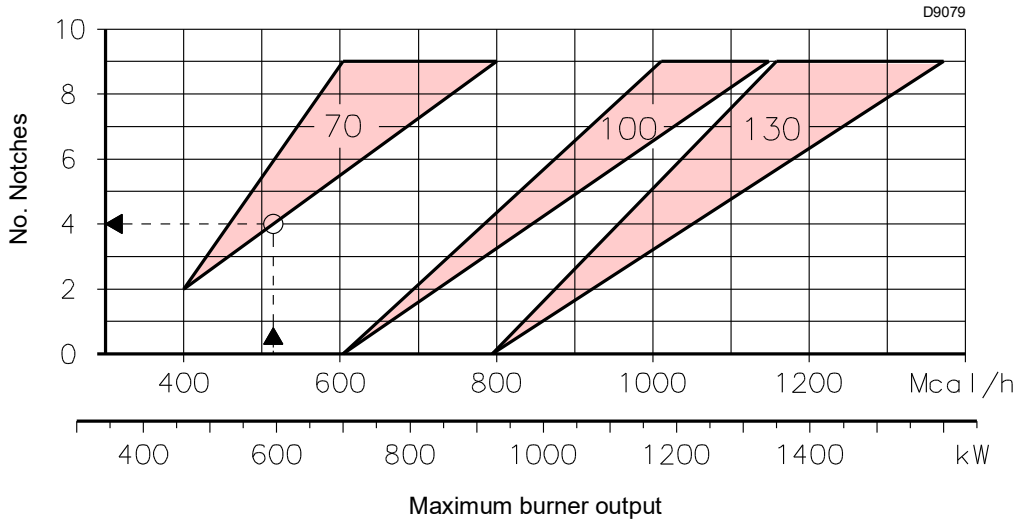


Fig. 16

NOTE

The diagram indicates the optimum adjustment for a type of boiler according to Fig. 4. The adjustments indicated can be modified during the initial start-up.

Once the combustion head adjustment is completed:

- reassemble the burner on the guides 3) at about 100 mm from the pipe coupling 4) - burner in the position shown in Fig. 11;
- insert the probe and electrode cables, then slide the burner as far as the pipe coupling - burner in the position shown in Fig. 17;
- connect the socket of the maximum gas pressure switch;
- refit the screws 2) on the slide bars 3);

- fix the burner to the pipe coupling with the screws 1).
- re-couple the articulated coupling 7) to the graduated sector 6).



When fitting the burner on the two guides, it is advisable to gently draw out the high voltage cable and flame detection probe cable until they are slightly taut.

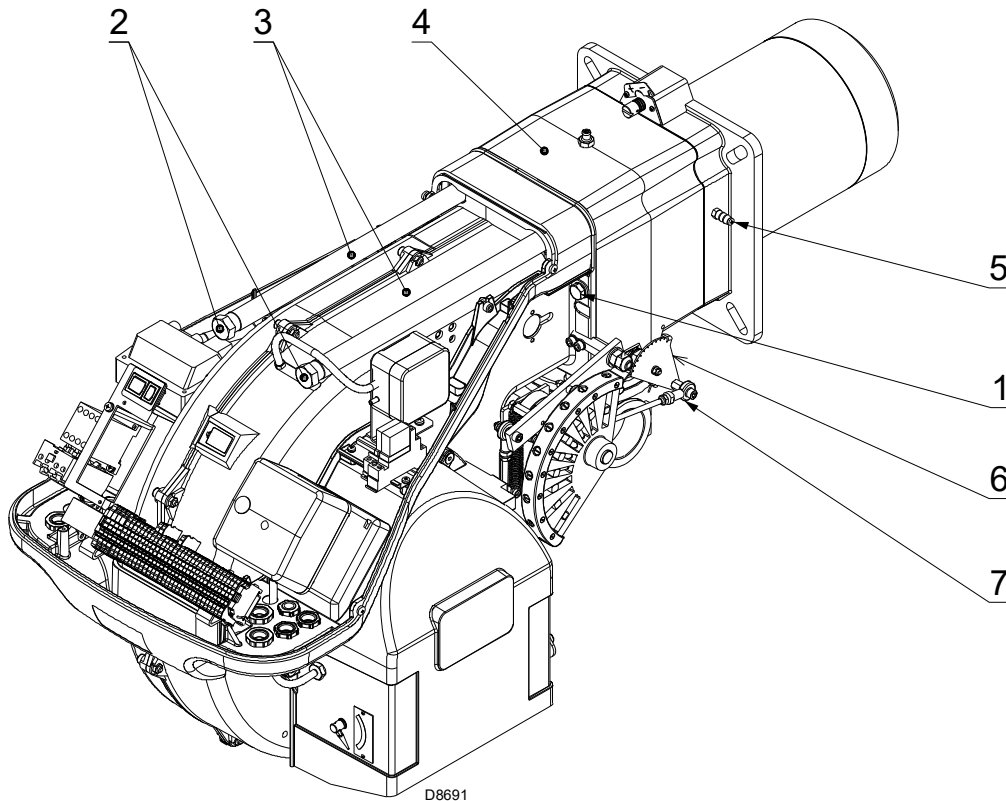


Fig. 17

4.7 Assembly of the gas train

- The gas train is type-approved according to standard EN 676 and is supplied separately from the burner.
- The gas train can enter the burner from the right or left side, depending on which is the most convenient, see Fig. 18.
- The gas train must be connected to the gas attachment 1)(Fig. 18) with the flange 2), the gasket 3) and the screws 4) supplied with the burner.
- The gas solenoids must be as close as possible to the burner, to ensure that the gas reaches the combustion head within the safety time of 3 s.
- Ensure that the maximum pressure necessary for the burner is included in the calibration field of the pressure adjuster.

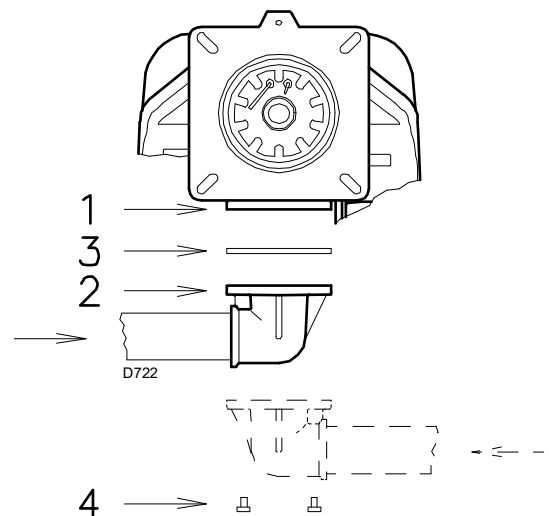


Fig. 18



See the accompanying instructions for the adjustment of the gas train.

4.8 Gas feeding line



Explosion danger due to fuel leaks in the presence of a flammable source.

Precautions: avoid knocking, attrition, sparks and heat.

Make sure that the fuel interception tap is closed before performing any operation on the burner.



The fuel supply line must be installed by qualified personnel, in compliance with current standards and laws.

Gas feeding line (Example) - Please refer to the gas train documentation for more information

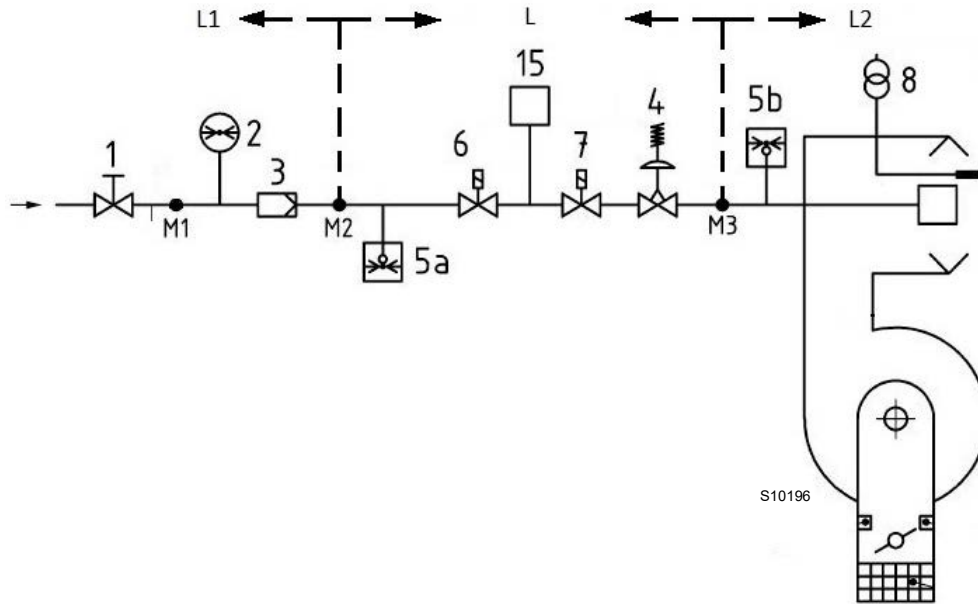


Fig. 18

Key

- 1 Manually operated shut-off valve
- 2 Pressure gauge
- 3 Filter
- 4 Governor
- 5a Low pressure protection device
- 5b Maximum gas pressure switch
- 6 1st safety shut-off device
- 7 2nd safety shut-off device
- 8 Ignition device
- 15 Valve leak detection control system
- L Gas train (supplied separately)
- L1 Responsibility of the installer
- L2 Burner
- M1 Pressure test point
- M2 Pressure test point
- M3 Pressure test point

4.9 Electrical wiring

Notes on safety for the electrical wiring



- The electrical wiring must be carried out with the electrical supply disconnected.
- Electrical wiring must be carried out by qualified personnel and in compliance with the regulations currently in force in the country of destination. Refer to the electrical layouts given in Appendix A.
- **Riello** declines all responsibility for modifications or connections different from those shown in the electrical layouts.
- Check that the electrical supply of the burner corresponds to that shown on the identification label and in this manual. See Fig. 8.
- Do not invert the neutral with the phase in the electrical supply line. Any inversion would cause a lockout due to firing failure.
- The burners RS 70-100-130/M have been type-approved for intermittent operation. This means they should compulsorily be stopped at least once every 24 hours to enable the flame control to perform checks of its own start-up efficiency. Normally, burner stopping is guaranteed by the boiler's thermostat/pressure switch. If this is not the case, a time switch should be fitted in series to IN to provide for burner shutdown at least once every 24 hours. Refer to the electrical layouts given in Appendix A.
- The electrical safety of the device is obtained only when it is correctly connected to an efficient earthing system, made according to current standards. It is necessary to check this fundamental safety requirement. In the event of doubt, have the electrical system checked by qualified personnel. Do not use the gas tubes as an earthing system for electrical devices.
- The electrical system must be suitable for the maximum input power of the device, as indicated on the label and in the manual, checking in particular that the section of the cables is suitable for the input power of the appliance.
- For the main power supply of the device from the electricity mains:
 - do not use adapters, multiple sockets or extensions;
 - use an omnipolar switch with an opening of at least 3 mm between the contacts, as indicated by the current safety standards.
- Do not touch the device with wet or damp body parts and/or in bare feet.
- Do not pull the electric cables.

If the hood is still present, remove it and proceed with the electrical wiring according to the layouts shown in Appendix A.

Use flexible cables in compliance with the EN 60 335-1 standard.

All the cables to be connected to the burner must be threaded through cable grommets.

See Fig. 20.

The use of the cable grommets can take various forms. By way of example we indicate the following mode:

- 1 - Three-phase power supply
- 2 - Single phase power supply
- 3 - Gas valves
- 4 - Gas pressure switch or the valve leak detection device
- 5 - Consents/safety
- 6 - Available

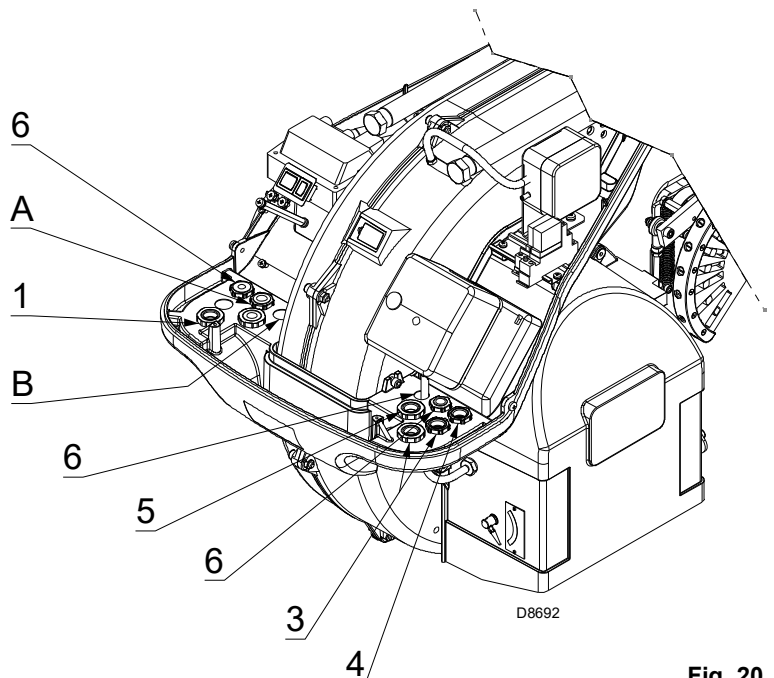


Fig. 20

4.10 Calibration of the thermal relay

The thermal relay serves to avoid damage to the motor due to an excessive absorption increase or if a phase is missing.

Refer to the table in wiring diagram No. 5 of Appendix A for the calibration.

The protection is in any case ensured even if the minimum value of the thermal relay scale is over the rating absorption of the motor.

This occurs when the motor power supply is 400 V / 460V.

To reset, in case of an intervention of the thermal relay, press button 1) of Fig. 21.

Voltage 3 ~ 400 / 230V - 50Hz

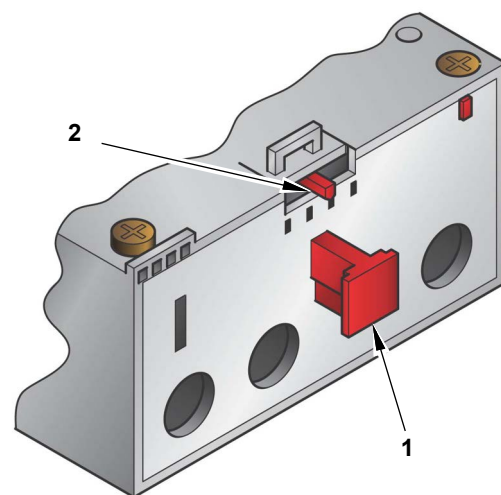
The RS 70-100-130/M models leave the factory pre-set for **400 V** power supply.

If **230 V** power supply is used, change the motor connection from star to delta and change the setting of the thermal relay as well.

Voltage 3 ~ 460-480 / 230V - 60Hz

The RS 70-100-130/M models leave the factory precept for **380-460V** power supply.

If **208-230V** power supply is used, change the motor connection (from star to delta) and change the setting of the thermal relay as well.



D8267

Fig. 21

5.1 Notes on safety for the first start-up



WARNING

The first start-up of the burner must be carried out by qualified personnel, as indicated in this manual and in compliance with the standards and regulations of the laws in force.



WARNING

Check the correct working of the adjustment, command and safety devices.

Refer to paragraph "Safety test - with gas ball valve closed" on page 26 before the first start-up.

5.2 Operations before start-up

- Ensure that the gas supply company has carried out the supply line vent operations, eliminating air or inert gases from the piping.
- Slowly open the manual valves situated upstream the gas train.
- Adjust the minimum gas pressure switch (Fig. 22) to the start of the scale.
- Adjust the maximum gas pressure switch (Fig. 23) to the end of the scale.
- Adjust the air pressure switch (Fig. 24) to the start of the scale.

Minimum gas pressure switch

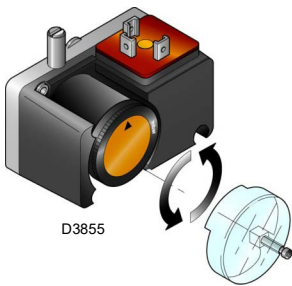


Fig. 22

Maximum gas pressure switch

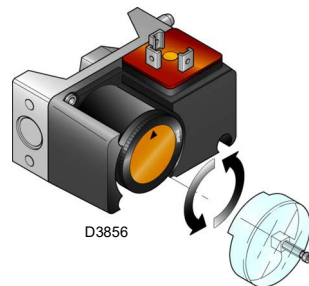


Fig. 23

Air pressure switch



Fig. 24

- Check the gas supply pressure by connecting a pressure gauge to the pressure test point 1)(Fig. 25) of the minimum gas pressure switch: it must be lower than the maximum allowed pressure of the gas train, as shown on the characteristics label.



DANGER

An excessive gas pressure can damage the components of the gas train and lead to a risk of explosion.

- Bleed the air from the piping of the gas train, connecting a plastic tube to the pressure test point 1)(Fig. 25) of the minimum gas pressure switch. Take the vent tube outside the building so you can notice the smell of gas.
- Connect two lamps or testers to the two gas line solenoids to check the exact moment at which voltage is supplied. This operation is unnecessary if each of the two solenoids is equipped with an indicator light that signals voltage passing through.

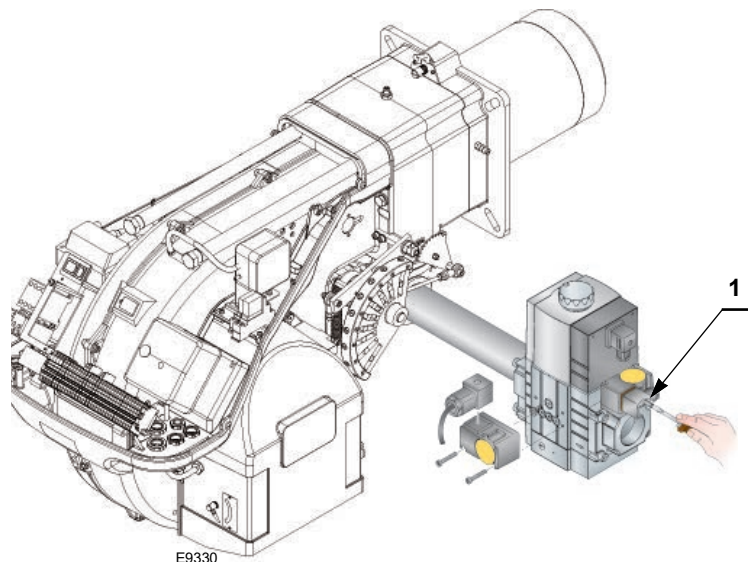


Fig. 25



WARNING

Before starting up the burner, it is good practice to adjust the gas train so that ignition takes place in conditions of maximum safety, i.e. with gas delivery at the minimum.

5.3 Burner start-up

Feed electricity to the burner via the disconnecting switch on the boiler panel.

Close the thermostats/pressure switches and turn the switch of Fig. 27 to position "MAN".



DANGER

Make sure that the lights or testers connected to the solenoids, or the pilot lights on the solenoids themselves, indicate that no voltage is present. If voltage is present, stop the burner **immediately** and check the electrical wiring.

As soon as the burner starts, check the direction of rotation of the fan blade, looking through the flame inspection window.

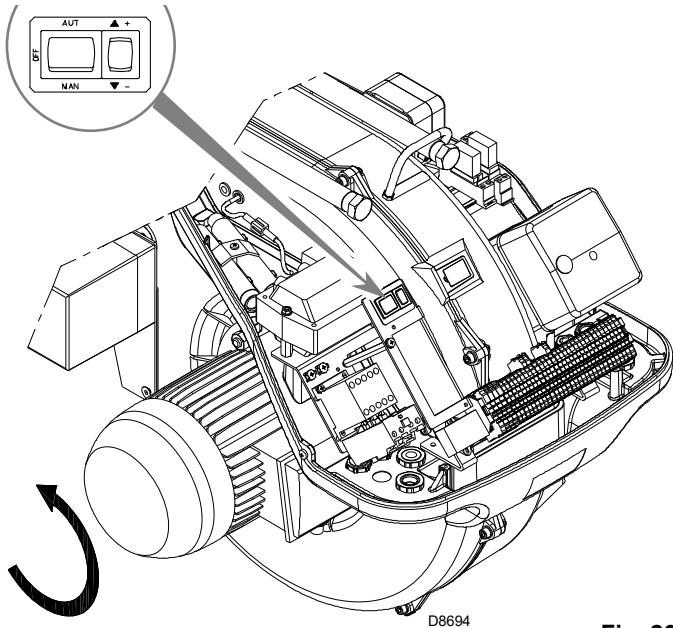


Fig. 26

5.4 Burner ignition

Having completed the checks indicated in the previous heading, ignition of the burner should be achieved. If the motor starts but the flame does not appear and the flame control goes into lockout, reset and wait for a new ignition attempt. If ignition is still not achieved, it may be that gas is not reaching the combustion head within the safety time period of 3 seconds. In this case increase gas ignition delivery.

The arrival of gas to the pipe coupling is shown by the pressure gauge. Once the burner has ignited, proceed with the global adjustment of the burner.

5.5 Burner adjustment

The optimum adjustment of the burner requires an analysis of flue gases at the boiler outlet.

Adjust in sequence:

- Ignition output
- Maximum output
- Minimum output
- Intermediate outputs between Min. and Max
- Air pressure switch
- Maximum gas pressure switch
- Minimum gas pressure switch

Ignition output

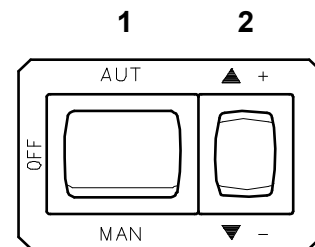


For safety purposes and correct product operation, the ignition output, if it is adjustable, must be carried out by authorized personnel and in compliance with the standards and regulations of the laws in force.

Maximum output

The maximum burner output must be set within the firing rate range shown on page 7. In the above instructions we left the burner running at the MIN output.

Now press the button 2)(Fig. 27) "output increase", and keep it pressed until the servomotor has opened the air damper and the gas butterfly valve.



D791

Fig. 27

Adjustment of gas delivery

Measure the gas delivery on the meter.

A guideline indication can be calculated from the table on page 37, simply read off the gas pressure on the pressure gauge, see Fig. 30 on page 21, and follow the instructions on page 37.

- If delivery needs to be reduced, diminish outlet gas pressure; if it is already very low, slightly close the VR adjustment valve.
- If delivery needs to be increased, increase the adjuster outlet gas pressure.

Adjusting air delivery

Progressively adjust the end profile of cam 4)(Fig. 28) by turning the cam adjustment screws 7).

- Turn the screws clockwise to increase air delivery.
- Turn the screws anticlockwise to reduce air delivery.

Minimum output

Min output must be selected within the firing rate range shown on page 7.

Press the button 2)(Fig. 27) "output reduction", and keep it pressed until the servomotor has closed the air damper and the gas butterfly valve at 65° (adjustment made in the factory).

Adjustment of gas delivery

Measure the gas delivery on the meter.

- If it is necessary to reduce it, reduce slightly the angle of cam III (Fig. 29) with small, regular movements, i.e. bring it from an angle of 65° to 63° - 61°....
- If it is necessary to increase it, press slightly the button "output increase" 2)(Fig. 27) (open by 10-15° the gas butterfly valve), increase the cam III angle (Fig. 29) with small, regular movements, i.e. bring it from an angle of 65° a 67° - 69°.... Then press the button "output reduction" until the servomotor is in the position of minimum opening position and measure gas delivery.

NOTE

The servomotor follows the adjustment of cam III only when the angle of the cam is reduced. If it is necessary to increase the angle of the cam, you must first increase the angle of the servomotor by means of the "output increase" key, then increase the angle of cam III, and finally bring the servomotor to the position of MIN output, with the "output reduction" key.

For any necessary adjustment of cam III, mainly for small movements, the specific key 10) can be used.

Adjusting air delivery

Progressively adjust the end profile of cam 4) by turning the cam adjustment screws 5). It is preferable not to turn the first screw since this is used to set the air damper to its fully closed position.

Intermediate outputs**Adjustment of gas delivery**

No adjustment of gas delivery is required.

Adjusting air delivery

Press slightly the button "output increase" 2)(Fig. 27) so that the servomotor rotates by 15°. Adjust the screws until optimal combustion is obtained. Proceed in the same way with the other screws. Take care that the cam profile variation is progressive.

Switch the burner off with switch 1)(Fig. 27), OFF position. Release cam 4 from the servomotor by pressing and shifting button 3) to the right, and check several times that by rotating cam 4 forwards and backwards by hand, the movement is soft and smooth, without jamming.

Now engage cam 4) again to the servomotor by shifting button 2) to the left.

As far as is possible, try not to move those screws at the ends of the cam that were previously adjusted for the opening of the air damper to MAX and MIN output.

Once optimum adjustment has been reached, fix it with the screws 6).

NOTE

Once you have finished adjusting outputs MAX - MIN - INTERMEDIATE, check ignition once again: noise emission at this stage must be identical to the following stage of operation. If you notice any sign of pulsations, reduce the ignition stage delivery.

- 1 Servomotor
- 2 Servomotor 1) - cam 4): constrained
- 3 Servomotor 1) - cam 4): released
- 4 Adjustable profile cam
- 5 Screws for adjusting the adjustable profile
- 6 Screws for fixing adjustment
- 7 Screws for adjusting the end profile
- 8 Graduated sector for gas butterfly valve
- 9 Index for graduated sector 8)
- 10 Spanner to adjust cam III

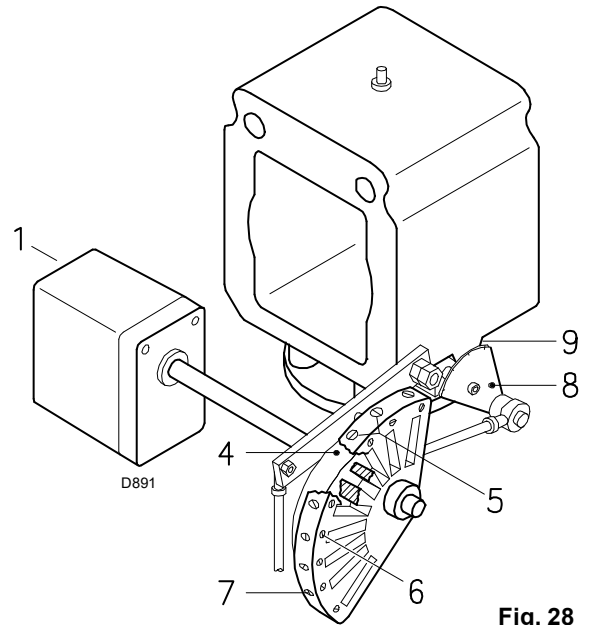
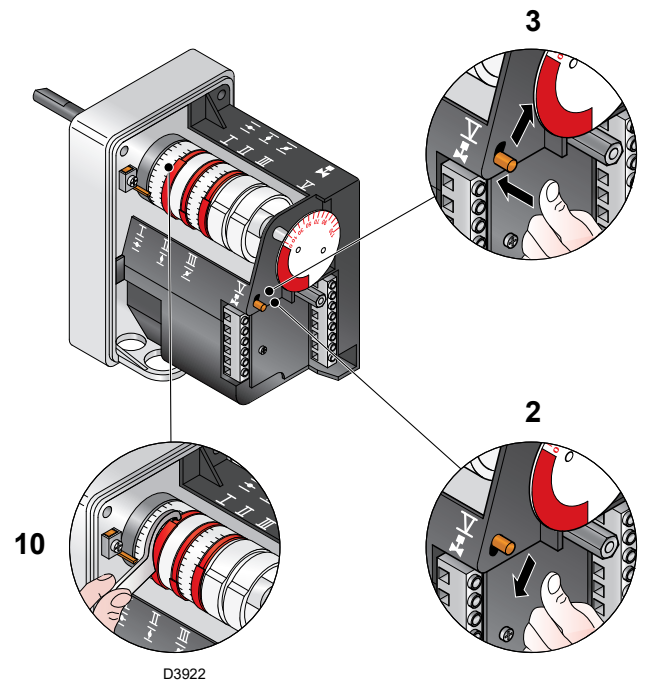


Fig. 28



Air pressure switch

Adjust the air pressure switch after having performed all other burner adjustments with the air pressure switch set to the start of the scale (Fig. 30).

With the burner working at MIN output, insert a combustion analyser in the stack, slowly close the suction inlet of the fan (for example, with a piece of cardboard) until the CO value does not exceed 100 ppm.

Slowly turn the appropriate knob clockwise until the burner goes into lockout.

Check the indication of the arrow pointing upwards on the graduated scale. Turn the knob clockwise again, until the value shown on the graduated scale corresponds with the arrow pointing downwards, and so recovering the hysteresis of the pressure switch (shown by the white mark on a blue background, between the two arrows).

Now check the correct start-up of the burner.

If the burner locks out again, turn the knob anticlockwise a little bit more.

During these operations it may be useful to measure the air pressure with a pressure gauge.

The connection of the pressure gauge is shown in Fig. 30.

The standard configuration is that with the air pressure switch connected in absolute mode.

Note the presence of a "T" connection, not supplied. In certain applications in strong depression situations, the connection of the pressure switch does not allow it to change over. In this case it is necessary to connect the pressure switch in differential mode, applying a second tube between the air pressure switch and the fan suction line mouth. In this case also, the pressure gauge must be connected in differential mode, as shown in Fig. 30.



Connecting the air pressure switch in differential mode, the burner will no longer be certified according to the EN 676 standard.

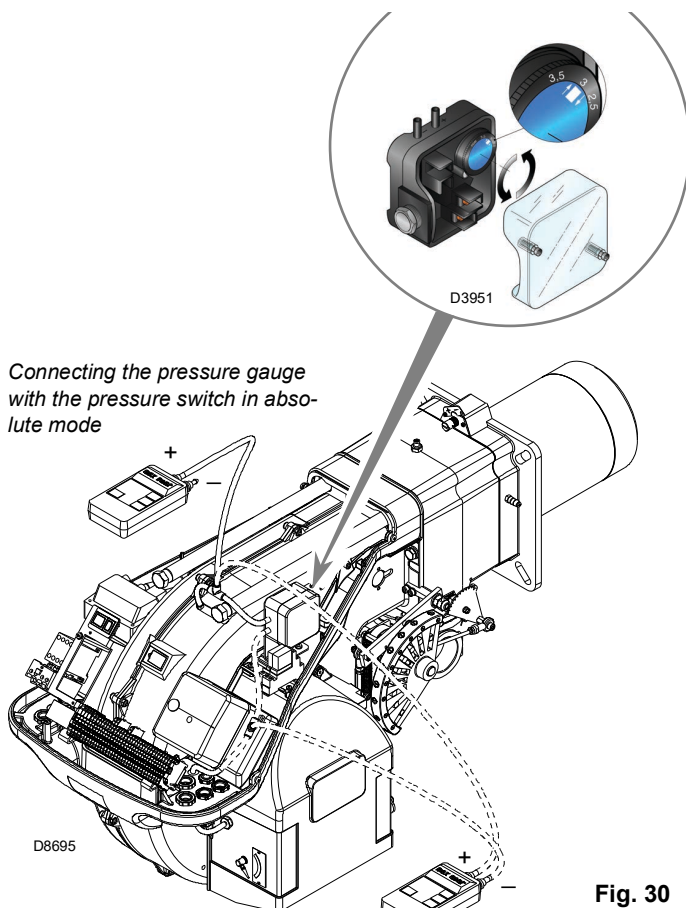


Fig. 30

Connecting the pressure gauge with the pressure switch in differential mode

Maximum gas pressure switch

Adjust the maximum gas pressure switch (Fig. 31) after making all other burner adjustments with the maximum gas pressure switch set to the end of the scale.

To calibrate the maximum gas pressure switch, open the tap and then connect a pressure gauge to its pressure test point.

The maximum gas pressure switch must be regulated to a value no higher than 30% of the measurement read on the gauge when the burner is working at maximum output. After making the adjustment, remove the pressure gauge and close the tap.

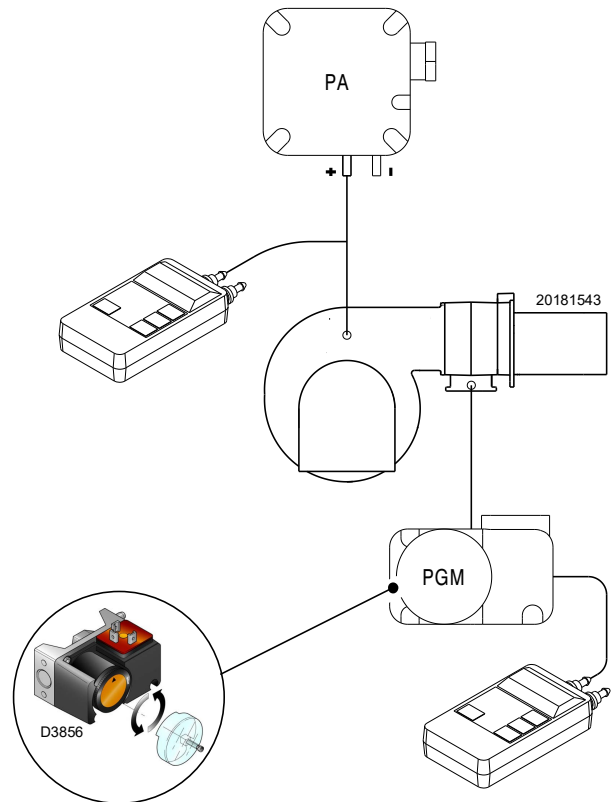


Fig. 31

Minimum gas pressure switch

Adjust the minimum gas pressure switch (Fig. 32) after having adjusted the burner, the gas valves and the gas train stabiliser. With the burner operating at maximum output:

- install a pressure gauge downstream of the gas train stabiliser (for example at the gas pressure test point on the burner combustion head);
- choke slowly the manual gas cock until the pressure gauge detects a decrease in the pressure read of about 0.1 kPa (1 mbar). In this phase, verify the CO value which must always be less than 100 mg/kWh (93 ppm).
- Increase the adjustment of the gas pressure switch until it intervenes, causing the burner shutdown;
- remove the pressure gauge and close the cock of the gas pressure test point used for the measurement;
- open completely the manual gas cock.

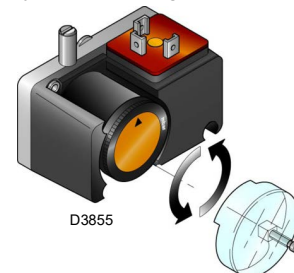


Fig. 32



1 kPa = 10 mbar

WARNING

5.6 Operation sequence of the burner

Burner start-up

- 0s: TL closed.
- 5s: Start of flame control programme. Servomotor starts: 130° rotation to right, until contact is made on cam I (Fig. 7).
- 35s: The air damper arrives to the MAX. output position. The fan motor starts up. Start of the pre-purging phase.
- 75s: The servomotor rotates towards the left as far as the angle set on cam III (Fig. 7) for the MIN output.
- 95s: The air damper and the gas butterfly valve adopt the MIN output position (with cam III Fig. 7 at 65°).
- 105s: Ignition electrode strikes a spark. The safety valve VS opens, along with the adjustment valve VR, quick opening. The flame is ignited at a low output level, point A. Delivery is then progressively increased, with the valve VR opening slowly up to MIN. output, point B.
- 108s: The spark goes out.
- 115s: The starting cycle comes to an end.

STANDARD IGNITION

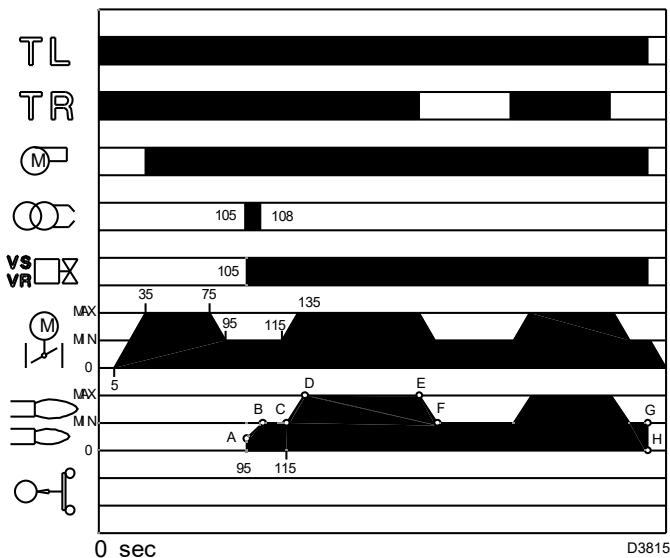


Fig. 33

Steady state operation

Burner without the modulating operation kit

Once the start-up cycle is completed, the servomotor command moves on to the TR that controls the pressure or the temperature in the boiler, point C.

(The flame control still continues to check the presence of the flame and the correct position of the air and gas maximum pressure switches).

- If the temperature is low, so the remote control TR is closed, the burner progressively increases the output up to the MAX value (tract C-D).
- If subsequently the temperature or pressure increases until TR opens, the burner progressively decreases its output to the MIN. value (section E-F). The sequence repeats endlessly.

- The burner locks out when the heat request is less than the heat supplied by the burner at MIN. output, (section G-H. The TL opens, and the servomotor returns to angle 0°. The air damper closes completely to reduce heat losses to a minimum.

Burner with modulating operation kit

See the handbook enclosed with the adjuster.

Ignition failure

If the burner does not switch on, there is a lockout within 3s of the electrical supply reaching the gas valve.

It may be that the gas does not arrive at the combustion head within the safety time of 3s.

In this case increase gas ignition delivery.

The arrival of the gas at the pipe coupling is shown on the pressure gauge of Fig. 36.

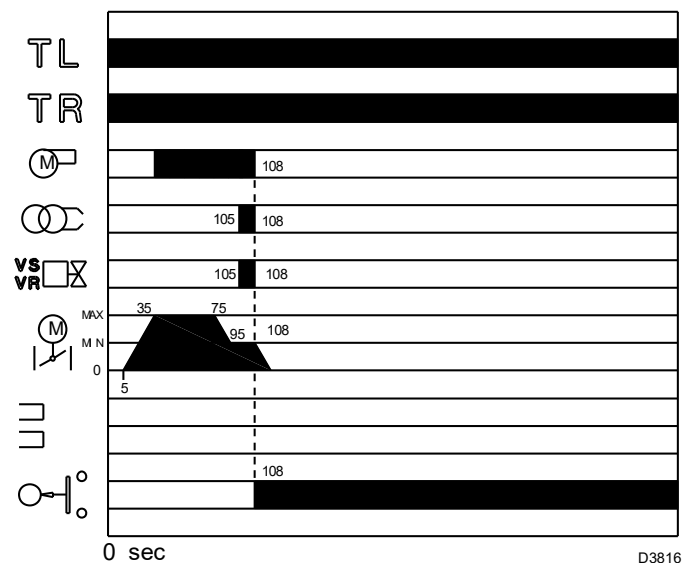


Fig. 34

5.7 Burner flame goes out during operation

If the flame should accidentally go out during operation, the burner will lock out within 1s.

5.8 Stopping of the burner

The burner can be stopped by:

- intervening on the disconnecting switch of the electrical supply line, located on the boiler panel;
- removing the hood and working on the "AUT/MAN" switch of Fig. 27.



WARNING

In the event of a burner lockout, more than two consecutive burner reset operations could cause damage to the installation.

On the third lockout, contact the Aftersales Service. If further lockouts or burner faults occur, interventions must only be made by qualified, authorised personnel (as indicated in this manual, and in compliance with the laws and regulations currently in force).

5.9 Measuring the ionisation current

The burner is fitted with an ionisation system to check that a flame is present. The minimum current for flame control operation is 6 μA .

The burner provides a much higher current, so controls are not normally required.

However, if it is necessary to measure the ionisation current, disconnect the plug-socket 2)(Fig. 35) on the ionisation probe cable and insert a direct current microammeter 1)(Fig. 35) with a base scale of 100 μA .

Carefully check the polarities!

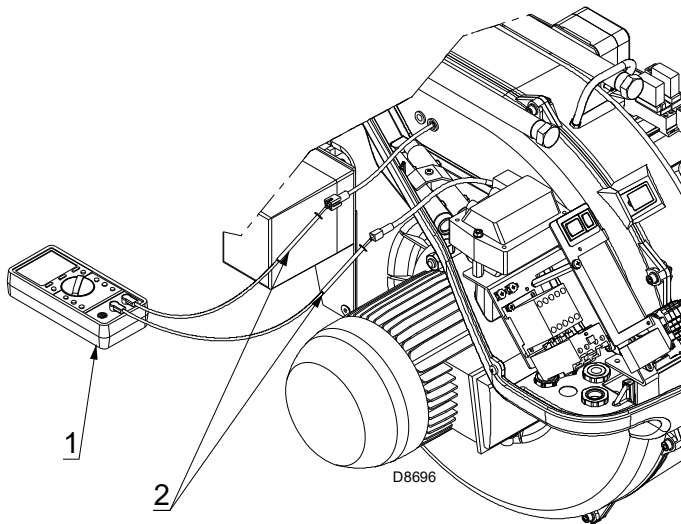


Fig. 35

5.10 Checking the air and gas pressure on the combustion head

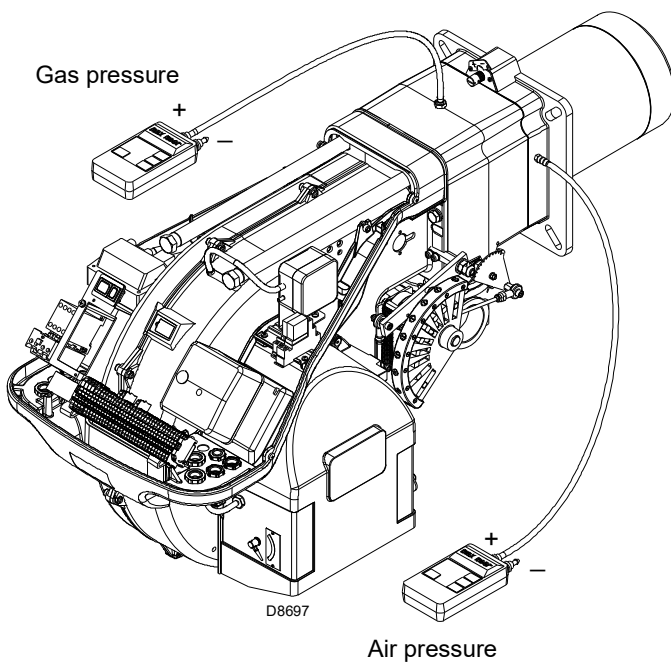


Fig. 36

5.11 Final checks (with burner operating)

- Open the thermostat/pressure switch TL:
- Open the thermostat/pressure switch TS:
the burner must stop
- Rotate the maximum gas pressure switch knob to the minimum end-of-scale position.
- Rotate the air pressure switch knob to the maximum end-of-scale position.
the burner must stop in lockout
- Switch off the burner and disconnect the voltage.
- Disconnect the minimum gas pressure switch connector.
the burner must not start
- Disconnect the ionisation probe wire.
the burner must stop in lockout due to ignition failure
- Make sure that the mechanical locking systems on the different adjustment devices are fully tightened.

The flame control has a self-diagnostic system, which easily allows identifying the operating faults (signal: **RED LED**). To use this function, wait at least ten seconds from the safety lock out, and then press the reset button for a minimum of 3 seconds.

After releasing the button, the RED LED starts flashing as shown in the diagram below.

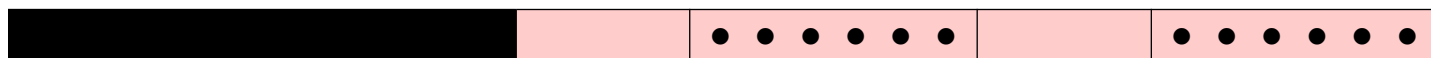
**RED LED on
press reset for 10s**

**Press button
for > 3s**

Signal

**Interval
3s**

Signal



The pulses of the LED constitute a signal spaced by approximately 3 seconds.

The number of pulses will provide the information on the possible faults, according to the table below.

SIGNAL	FAULT	PROBABLE CAUSE	SUGGESTED REMEDY
2 x blinks ● ●	Once the pre-purging phase and safety time have passed, the burner goes into lockout without the appearance of the flame	1 - The operation solenoid lets little gas through Increase 2 - One of the two solenoid valves does not open. Replace 3 - Gas pressure too low Increase pressure at regulator 4 - Ignition electrode incorrectly adjusted Adjust, see Fig. 12 5 - Electrode grounded due to broken insulation. Replace 6 - High voltage cable defective Replace 7 - High voltage cable deformed by high temperature. Replace and protect 8 - Ignition transformer defective. Replace 9 - Incorrect valve or transformer electrical wiring Check 10 - Defective flame control. Replace 11 - A closed valve upline the gas train Open 12 - Air in pipework Bleed air 13 - Gas trains not connected or with coil blocked Check connections or replace coil	
3 x blinks ● ● ●	The burner does not switch on, and the lockout appears	14 - Air pressure switch in operating position Adjust or replace	
	The burner switches on, but then stops in lockout	Air pressure switch inoperative due to insufficient air pressure: 15 - Air pressure switch incorrectly adjusted Adjust or replace 16 - Pressure switch pressure test point pipe blocked Clean 17 - Head incorrectly adjusted. Adjust 18 - High pressure in the furnace Connect air pressure switch to fan suction line	
	Lockout during pre-purging phase	19 - Defective motor control contactor. Replace (only three-phase version) 20 - Defective electrical motor. Replace 21 - Motor lockout (only three-phase version). Replace	
4 pulses ● ● ● ●	The burner switches on, but then stops in lockout	22 - Flame simulation Replace the flame control	
	Lockout when burner stops	23 - Permanent flame in the combustion head or Eliminate permanency of flame or flame simulation replace flame control	
6 x blinks ● ● ● ● ● ●	The burner switches on, but then stops in lockout	24 - Defective or incorrectly adjusted servomotor Replace or adjust	
7 pulses ● ● ● ● ● ● ●	The burner goes into lockout immediately following the appearance of the flame	25 - The operation solenoid lets little gas through. Increases 26 - Ionisation probe Incorrectly adjusted. Adjust it, see Fig. 12 27 - Insufficient ionisation (less than 5 μ A) Check probe position 28 - Probe earthed Withdraw or replace cable 29 - Burner poorly grounded Check grounding 30 - Phase and neutral connections inverted Invert them 31 - Defective flame detection circuit. Replace flame control	
	Burner locks out when shifting from minimum to maximum output and vice versa	32 - Too much air or too little gas Adjust air and gas	
	Burner goes into lockout during operation	33 - Probe or ionisation cable earthed Replace worn parts	

SIGNAL	FAULT	PROBABLE CAUSE	SUGGESTED REMEDY
10 blinks ●●●●●●●●●●	The burner does not switch on, and the lockout appears	34 - Erroneous electrical wiring	Check connections
	The burner goes into lockout	35 - Defective flame control 36 - Presence of electromagnetic disturbances in the thermostat lines 37 - Presence of electromagnetic disturbance	Replace Filter or eliminate Use the radio disturbance protection kit
No blink	The burner does not start	38 - No electrical power supply	Close all switches - Check connections
		39 - A limiter or safety control device is open	Adjust or replace
		40 - Line fuse blocked	Replace
		41 - Defective flame control	Replace
		42 - No gas supply	Open the manual valves between contactor and train
The burner continues to repeat the start-up cycle, without lockout	43 - Mains gas pressure insufficient 44 - Minimum gas pressure switch fails to close 45 - Servomotor fails to move to min. ignition position . . .	46 - The gas pressure in the network is near the value on which the min. gas pressure switch gas is adjusted The sudden drop in pressure when the valve is opened causes the temporary opening of the pressure switch itself, the valve immediately closes and the burner comes to a halt. Pressure increases again, the pressure switch closes and the ignition cycle is repeated. And so on	Reduce the cut-in pressure of the min. gas pressure switch Replace the gas filter cartridge
		Ignition with pulsations	47 - Head poorly adjusted 48 - Ignition electrode incorrectly adjusted 49 - Incorrectly adjusted fan air damper: too much air . . . 50 - Output during ignition phase is too high
Burner does not reach maximum output	51 - Control device TR does not close 52 - Defective flame control 53 - Defective servomotor	Adjust or replace Replace Replace	
Burner stops with air damper open	54 - Servomotor defective	Replace	

6.1 Normal operation / flame detection time

The flame control has a further function to guarantee the correct burner operation (signal: **GREEN LED** permanently on). To use this function, wait at least ten seconds from the burner ignition and then press the flame control button for a minimum of 3 seconds.

After releasing the button, the GREEN LED starts flashing as shown in the figure below.

GREEN LED on
press reset for 10s

Press button
for > 3s

Signal

Interval
3s

Signal



The pulses of the LED constitute a signal spaced by approximately 3 seconds.

The number of pulses will measure the probe DETECTION TIME since the opening of gas valves, according to the following table:

SIGNAL	FLAME DETECTION TIME
1 blink ●	0.4 s
2 x blinks ●●	0.8 s
6 x blinks ●●●●●●	2.8 s

This is updated in every burner start-up.

Once read, the burner repeats the start-up cycle by briefly pressing the flame control button.

WARNING

If the result is > 2 s, ignition will be retarded.

Check the adjustment of the hydraulic brake of the gas valve, the air damper and the combustion head adjustment.

7.1 Notes on safety for the maintenance

The periodic maintenance is essential for the good operation, safety, yield and duration of the burner. It allows you to reduce consumption and polluting emissions and to keep the product in a reliable state over time.



The maintenance interventions and the calibration of the burner must only be carried out by qualified, authorised personnel, in accordance with the contents of this manual and in compliance with the standards and regulations of current laws.

Before carrying out any maintenance, cleaning or checking operations:



disconnect the electricity supply from the burner by means of the main switch of the system;



close the fuel interception tap;

7.2 Maintenance programme

Maintenance frequency

The gas combustion system should be checked **at least once a year** by a representative of the Manufacturer or another specialised technician.

Safety test - with gas ball valve closed

It is fundamental to ensure the correct execution of the electrical connections between the gas solenoid valves and the burner to perform safely the commissioning.

For this purpose, after checking that the connections have been carried out in accordance with the burner's electrical diagrams, an ignition cycle with closed gas ball valve -dry test- must be performed.

- 1 The manual ball gas valve must be closed
- 2 The electrical contacts of the burner limit switch need to be closed
- 3 Ensures closed the contact of the low gas pressure switch
- 4 Make a trial for burner ignition

The start-up cycle must be as follows:

- starting the fan for pre-ventilation
- Performing the gas valve seal control, if provided
- Completion of pre-ventilation
- Arrival of the ignition point
- Power supply of the ignition transformer
- Electrical Supply of solenoid gas valves

Since the manual gas ball valve is closed, the burner will not light up and its flame control will go to a safety lockout condition.

The actual electrical supply of the solenoid gas valves can be verified by inserting a tester. Some valves are equipped with light signals (or close/open position indicator) that turn on at the same time as their power supply.



IF THE ELECTRICAL SUPPLY OF THE GAS VALVES OCCURS AT UNEXPECTED TIMES, DO NOT OPEN MANUAL GAS BALL VALVE, SWITCH OFF POWER LINE; CHECK THE WIRES; CORRECT THE ERRORS AND REPEAT THE COMPLETE TEST.

Checking and cleaning

Combustion

Carry out an analysis of the flue gases. Significant differences with respect to the previous measurements indicate the points where more care should be exercised during maintenance.

Gas leaks

Make sure that there are no gas leaks on the pipes between the gas meter and the burner.

Gas filter

Replace the gas filter when it is dirty.

Flame inspection window

Clean the glass of the flame inspection window, (Fig. 37).

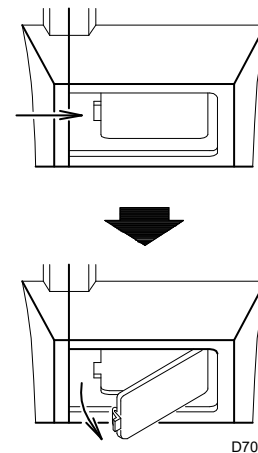


Fig. 37

D709

Combustion head

Open the burner and make sure that all the components of the combustion head are:

- undamaged;
- not deformed due to high temperature;
- free of ambient dirt or dust;
- free of rusted materials;
- adequately positioned.

Make sure that the gas outlet holes for the start-up, on the combustion head distributor, are free of dirt or rust deposits. If in doubt, disassemble the elbow 5)(Fig. 38).

Servomotor

Disengage cam 4)(Fig. 28) from the servomotor, by pressing and shifting button 3)(Fig. 29) to the right, and cause it to turn it backwards and forwards by hand to make sure it moves smoothly. Now engage the cam again by shifting button 2)(Fig. 28) to the left.

Burner

Check for excess wear or loose screws in the mechanisms controlling the air damper and the gas butterfly valve. Also make sure that the screws securing the electrical leads in the burner connections are fully tightened.

Clean the outside of the burner, taking special care with the articulated couplings and cam 4)(Fig. 28).

Combustion

Adjust the burner if the combustion values found at the beginning of the operation do not comply with the regulations in force or, at any rate, do not produce good combustion.

Use the appropriate card to record the new combustion values; they will be useful for subsequent controls.

Safety components

The safety components must be replaced at the end of their life cycle indicated in the table. The specified life cycles do not refer to the warranty terms indicated in the delivery or payment conditions.

Safety component	Life cycle
Flame control	10 years or 250,000 operation cycles
Flame sensor	10 years or 250,000 operation cycles
Gas valves (solenoid)	10 years or 250,000 operation cycles
Pressure switches	10 years or 250,000 operation cycles
Pressure adjuster	15 years
Servomotor (electronic cam) (if present)	10 years or 250,000 operation cycles
Oil valve (solenoid) (if present)	10 years or 250,000 operation cycles
Oil regulator (if present)	10 years or 250,000 operation cycles
Oil pipes / couplings (metallic) (if present)	10 years
Fan impeller	10 years or 500,000 start-ups

7.3 Opening the burner

- **Disconnect the electrical supply from the burner.**
- Loosen the screws 1)(Fig. 38) and remove the hood 2).
- Disengage the articulated coupling 7) from the graduated sector 8).
- Assemble the two extensions on the sliding bars 4).
- Remove the screws 3) and move the burner backwards some 100 mm on the guides 4). Disconnect the probe and electrode leads and then pull the burner fully back.

Now extract the gas distributor 5) after having removed the screw 6).

7.4 Closing the burner

- Push the burner up to approximately 100 mm from the pipe coupling.
- Reconnect the cables and slide the burner as far as the stop.
- Replace the screws 3) and carefully pull the probe and electrode cables outwards until they are slightly taut.
- Re-couple the articulated coupling 7) to the graduated sector 8).
- Disassemble the two extensions from the guides 4).

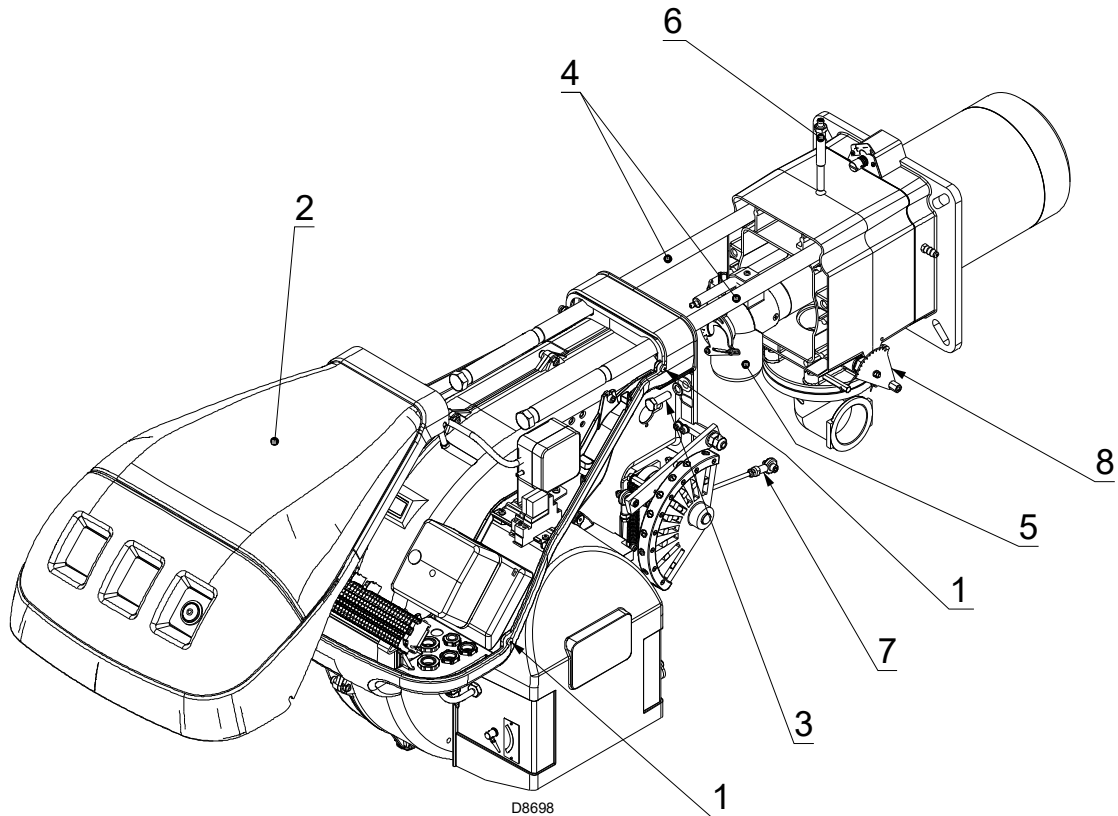
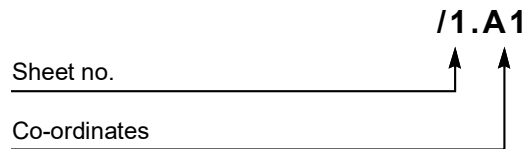


Fig. 38

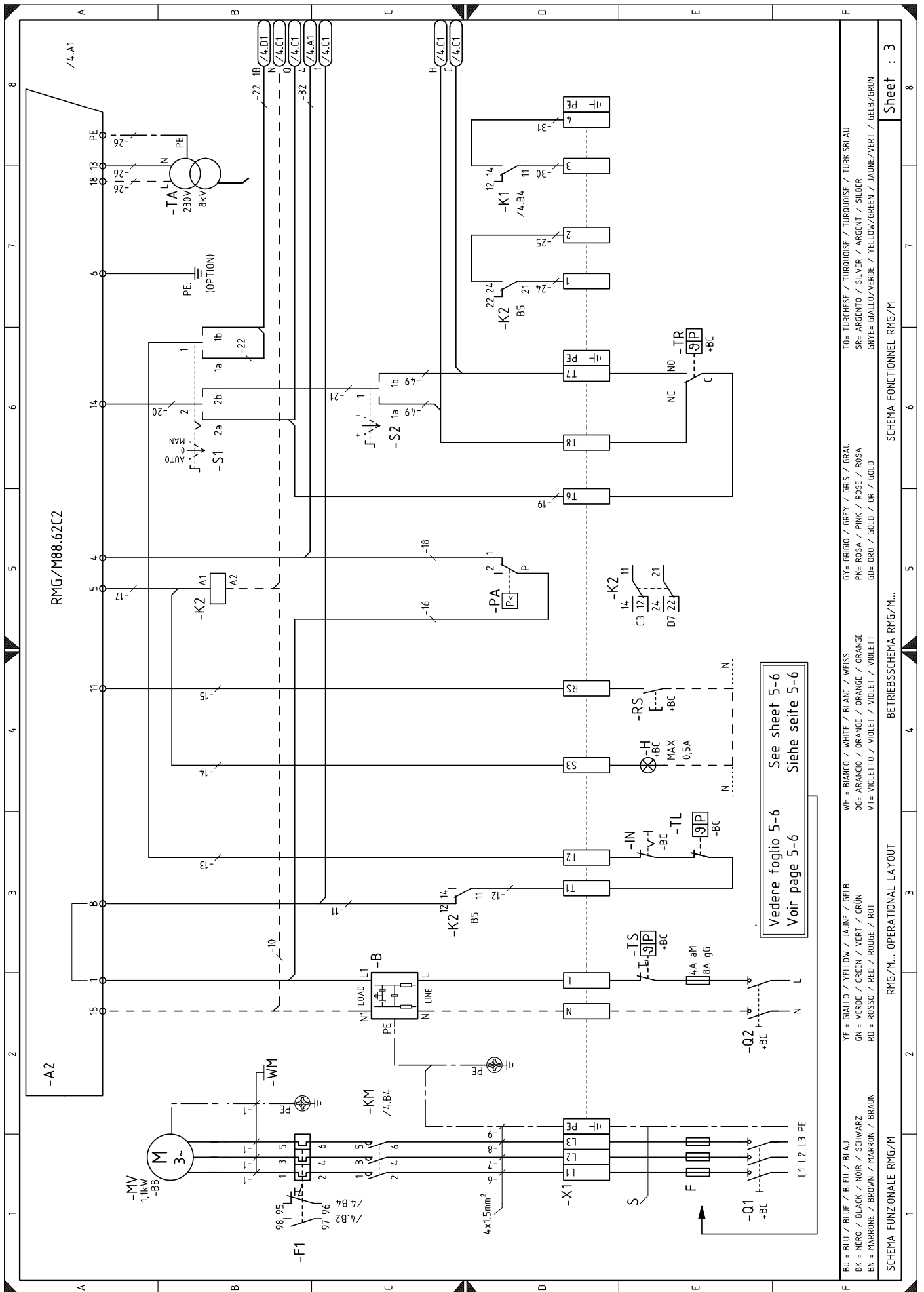
1	Index of layouts
2	Indication of references
3	Functional layout RMG/M
4	Functional layout RMG/M
5	Electrical wiring that the installer is responsible for (50 Hz)
6	Electrical wiring that the installer is responsible for (60 Hz)
7	Functional layout RWF50...

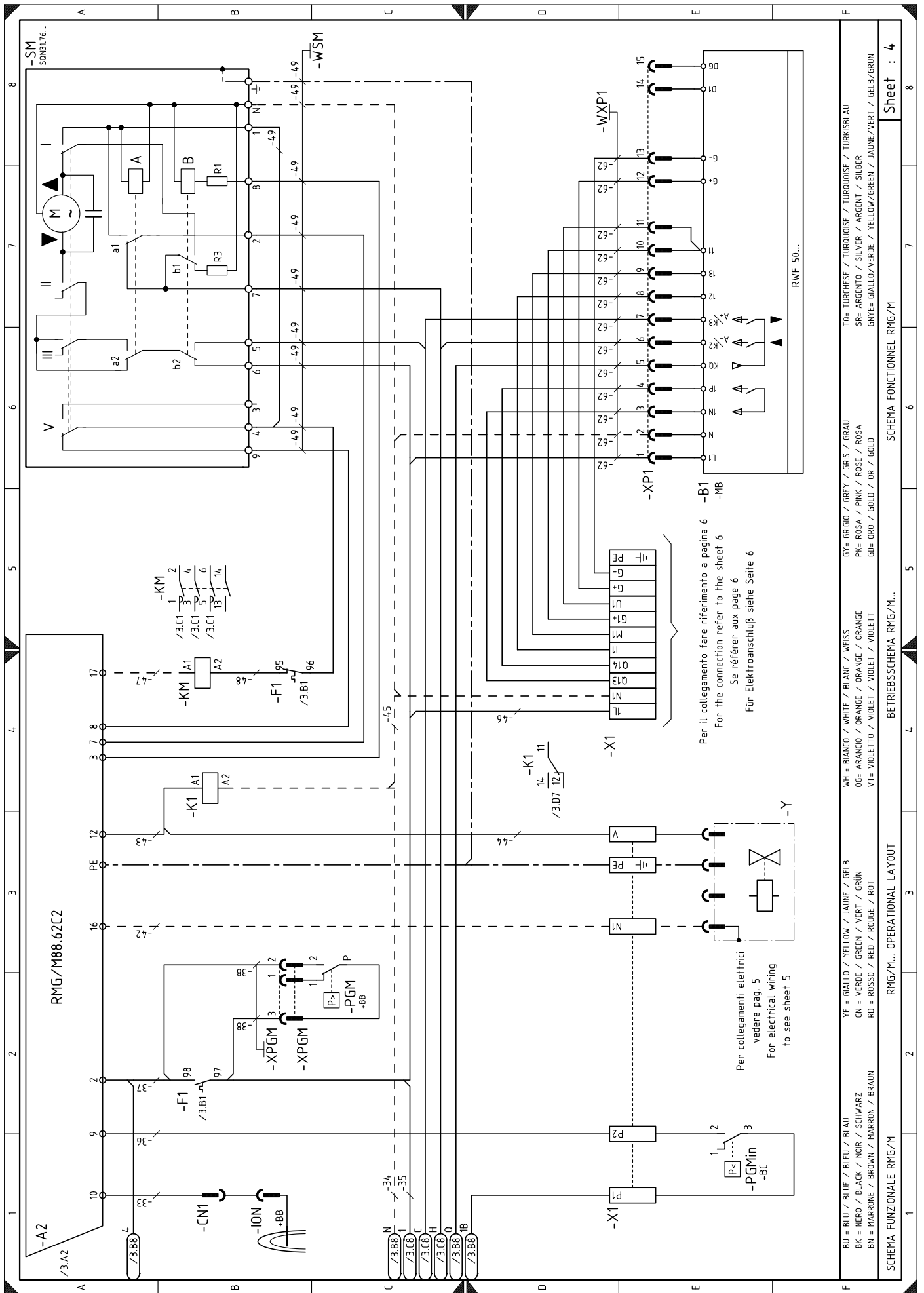
2 Indication of references

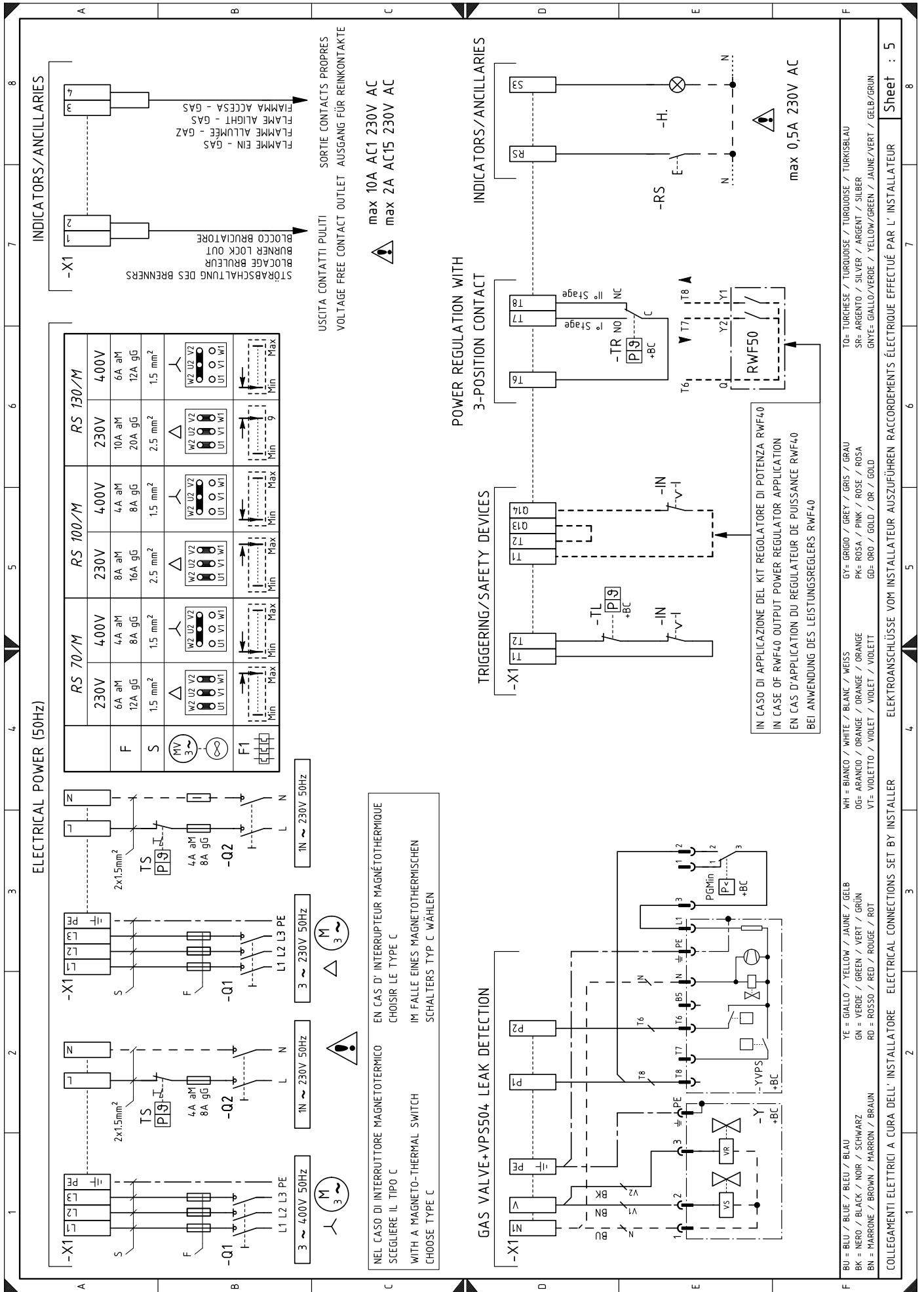


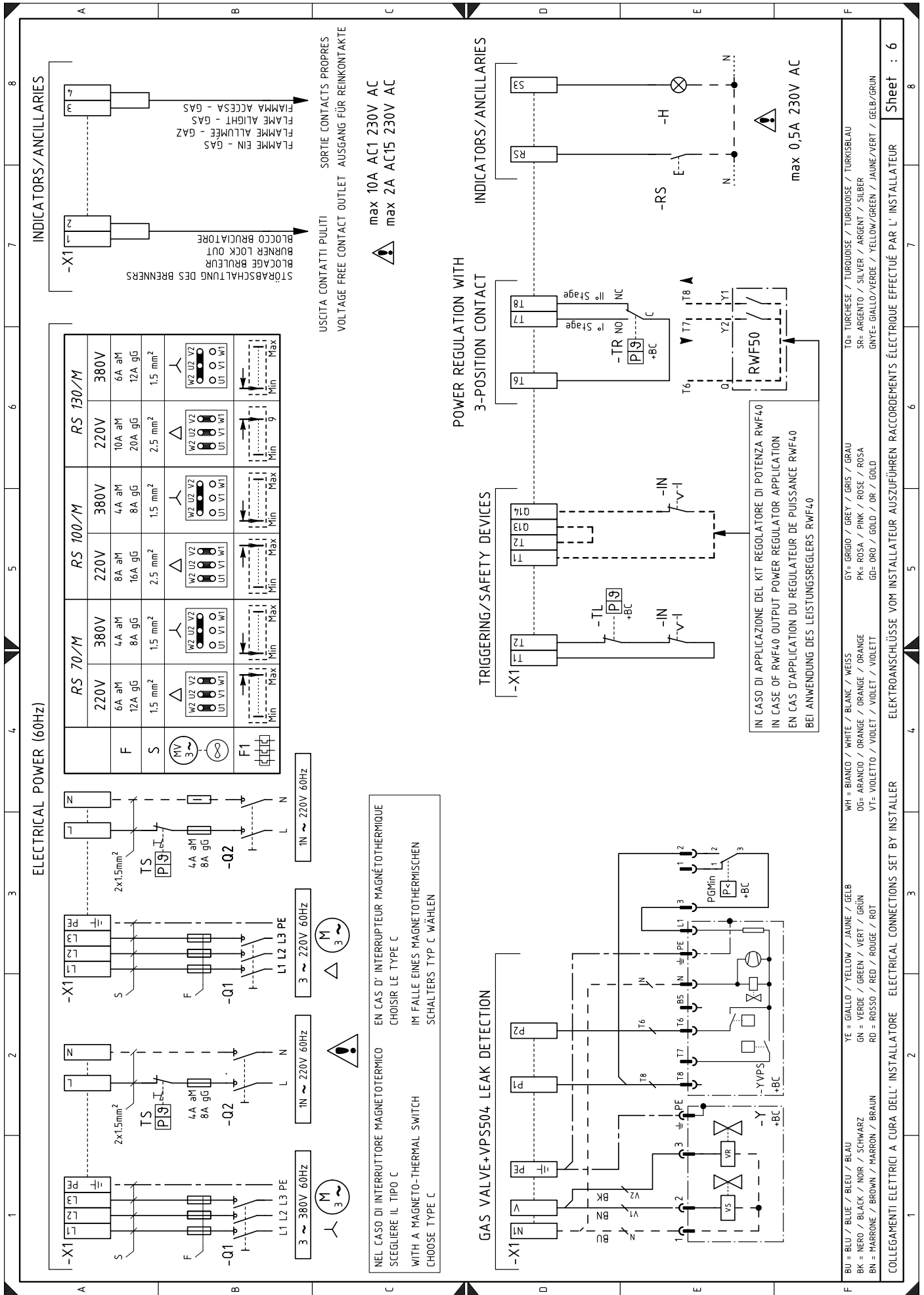
Wiring layout key

A	- Flame control	K2	- Clean contacts output relay burner lockout
B	- Filter to protect against radio disturbance	KM	- Motor contact maker
B1	- Output regulator RWF	MV	- Fan motor
BA	- Input in current DC 4...20 mA	PA	- Air pressure switch
BA1	- Input in current DC 4...20 mA to modify remote set-point	PE	- Burner earth
BP	- Pressure probe	PGMin	- Minimum gas pressure switch
BP1	- Pressure probe	PGM	- Maximum gas pressure switch
BR	- Remote setpoint potentiometer	Q1	- Three-phase disconnecting switch
BT1	- Thermocouple probe	Q2	- Single phase disconnecting switch
BT2	- Probe Pt100, 2 wires	RS	- Remote reset switch
BT3	- Probe Pt100, 3 wires	S1	- Off / automatic / manual selector
BT4	- Probe Pt100, 3 wires	S2	- Power increase - power reduction selector
BTEXT	- External probe for climatic compensation of the set-point	SM	- Servomotor
BV	- Input in voltage DC 0...10V	TA	- Ignition transformer
BV1	- Input in voltage DC 0...10V to modify remote setpoint	TL	- Limit thermostat/pressure switch
CN1	- Ionisation probe connector	TR	- Adjustment thermostat/pressure switch
F1	- Fan motor thermal relay	TS	- Safety thermostat/pressure switch
H	- Remote lockout signal	X1	- Main terminal supply board
IN	- Burner manual stop switch	XPGM	- Maximum gas pressure switch connector
ION	- Ionisation probe	XP1	- Socket for kit
K1	- Clean contacts output relay burner switched on	XRWF	- Terminal board RWF
		Y	- Gas adjustment valve + gas safety valve
		YVPS	- Valve leak detection device









Output power regulator kit for modulating operation

With the modulating operation, the burner continually adapts the power to the request for heat, ensuring great stability for the parameter controlled: temperature or pressure.

Two components should be ordered:

- the output power regulator to install on the burner;
- the probe to install on the heat generator.

Parameter to be checked		Probe		Output Regulator	
	Adjustment field	Type	Code	Type	Code
Temperature	- 100...+ 500°C	PT 100	3010110	RWF50	20099869
Pressure	0...2.5 bar	Output probe	3010213	RWF55	20099905
	0...16 bar	4...20mA	3010214		

Output power regulator with signal 4-20 mA, 0-10V

Two components should be ordered:

- the analogue signal converter;
- the potentiometer.

Burner	Potentiometer		Analogue Signal Converter	
	Type	Code	Type	Code
RS 70-100-130/M	ASZ...	3010416	E5202	3010415

Potentiometer kit for the indication of load position

Burner	Kit code
RS 70-100-130/M	3010416

RMG to PC interface adapter kit

Burner	Kit code
RS 70-100-130/M	3002719

Soundproofing chamber

Burner	Kit code	Type	Reduction of noise average
RS 70-100-130/M	3010404	C4/5	10 [dB(A)]

Long Head Kit

Burner	Kit code	Standard head length	Head length obtained with the kit
RS 70/M	3010117	250 mm	385 mm
RS 100/M	3010118	250 mm	385 mm
RS 130/M	3010119	280 mm	415 mm

Kit for LPG operation

Burner	Combustion head	Kit code	Obtainable output with the Kit
RS 70/M	TC	20008175	200/470 ÷ 930 kW
	TL	20008176	
RS 100/M	TC	20008177	300/700 ÷ 1340 kW
	TL	20008178	
RS 130/M	TC	20008179	300/920 ÷ 1600 kW
	TL	20008180	

Kit for TOWN GAS operation - not EC type-approved

Burner	Combustion head	Kit code
RS 70/M	TC	3010286
	TL	
RS 100/M	TC	3010287
	TL	
RS 130/M	TC	3010288
	TL	

Spacer kit

Burner	Kit code	Thickness
RS 70-100-130/M	3010129	135 mm

Continuous purging kit

Burner	Kit code
RS 70-100-130/M	3010094

Vibration reduction kit (for flame inversion boilers)

Burner	Combustion head	Kit code
RS 70/M	TC	3010201
	TL	
RS 100/M	TC	3010202
	TL	
RS 130/M	TC	3010373
	TL	3010374

Radio disturbance protection kit

If the burner is installed in places particularly subject to radio disturbance (emission of signals exceeding 10 V/m) owing to the presence of an INVERTER, or in applications where the length of the thermostat connections exceeds 20 metres, a protection kit is available as an interface between the flame control and the burner.

Burner	Kit code
RS 70-100-130/M	3010386

Gas trains in compliance with EN 676

Please refer to manual.

The table show minimum load losses along the gas supply line depending on the maximum burner output operation.

The values shown in the tables refer to:

- Natural gas G 20 PCI 9.45 kWh/Sm³ (8.2 Mcal/Sm³)
- Natural gas G 25 PCI 8.13 kWh/Sm³ (7.0 Mcal/Sm³)

Column 1

Load loss at combustion head.

Gas pressure measured at the test point 1)(Fig. 39), with:

- Combustion chamber at 0 mbar;
- Burner working at maximum output;
- Combustion head adjusted according to the diagram of Fig. 16.

Column 2

Load loss at gas butterfly valve 2)(Fig. 39) with maximum opening: 90°.

NOTE

To know the approximate output at which the burner is operating at its maximum:

- Subtract the combustion chamber pressure from the gas pressure measured at test point 1)(Fig. 39).
- Find, in the table relating to the burner concerned, column 1, the pressure value closest to the result you want.
- Read off the corresponding output on the left.

Example with natural gas G 20 - RS 100/M

- Maximum output operation
 - Ring nut 2)(Fig. 15) adjusted as in the diagram of Fig. 16
 - Gas pressure at test point 1)(Fig. 39) = 8 mbar
 - Pressure in combustion chamber = 2.5 mbar
- $$8 - 2.5 = 5.5 \text{ mbar}$$

A pressure of 5.5 mbar, column 1, corresponds in the table to an output of 900 kW.

This value serves as a rough guide; the effective output must be measured at the gas meter.

NOTE

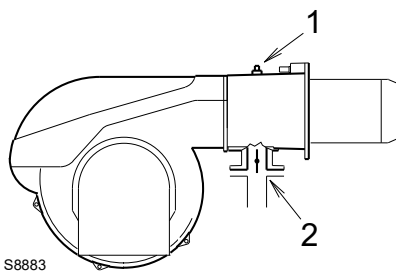
To know the required gas pressure at test point 1)(Fig. 39), set the MAX output required from the burner operation:

- Find the nearest output value in the table for the burner in question.
- Read, on the right, column 1, the socket pressure 1)(Fig. 39).
- Add this value to the estimated pressure in the combustion chamber.

Example with natural gas G 20 - RS 100/M

- Required burner maximum output operation: 900 kW
 - Ring nut 2)(Fig. 15) adjusted as in the diagram of Fig. 16
 - Gas pressure at output of 900 kW = 5.5 mbar
 - Pressure in combustion chamber = 2.5 mbar
- $$5.5 + 2.5 = 8 \text{ mbar}$$

pressure required at test point 1)(Fig. 39).



S8883

Fig. 39

Mod.	kW	1 Δp (mbar)		2 Δp (mbar)	
		G 20	G 25	G 20	G 25
RS 70/M	470	4.2	5.7	0.4	0.5
	500	4.6	6.3	0.5	0.5
	550	5.3	7.2	0.6	0.7
	600	6.0	8.2	0.7	0.8
	650	6.7	9.1	0.8	0.9
	700	7.4	10.1	0.9	1.1
	750	8.5	11.8	1.0	1.2
	800	9.6	13.4	1.2	1.4
	850	10.8	15.1	1.3	1.6
	900	12.1	16.9	1.5	1.8
930	12.9	17.9	1.6	1.9	

RS 100/M	700	3.1	4.6	0.7	1.0
	750	3.7	5.5	0.8	1.1
	800	4.3	6.4	0.9	1.2
	850	4.9	7.3	1.0	1.4
	900	5.5	8.2	1.1	1.6
	950	6.2	9.0	1.2	1.8
	1000	6.8	9.9	1.3	1.9
	1050	7.3	10.7	1.5	2.1
	1100	7.9	11.6	1.6	2.4
	1150	8.4	12.4	1.8	2.6
	1200	9.1	13.5	1.9	2.8
	1250	9.9	14.8	2.1	3.0
	1300	10.8	16.1	2.3	3.3
	1340	11.4	17.1	2.4	3.5

RS 130/M	920	4.5	7.0	1.3	2.0
	950	4.7	7.4	1.4	2.1
	1000	5.1	7.9	1.5	2.3
	1050	5.5	8.5	1.7	2.5
	1100	5.9	9.1	1.8	2.8
	1150	6.2	9.6	2.0	3.1
	1200	6.6	10.2	2.2	3.3
	1250	7.0	10.8	2.4	3.6
	1300	7.4	11.3	2.6	3.9
	1350	7.8	11.9	2.8	4.2
	1400	8.2	12.8	3.0	4.5
	1450	8.6	13.8	3.2	4.9
	1500	9.0	14.7	3.4	5.2
	1550	10.2	15.6	3.6	5.6
	1600	11.4	16.6	3.9	5.9
	1605	11.5	16.7	3.9	6.0



WARNING

The data of thermal output and combustion head gas pressure are related to full open (90°) gas butterfly valve.

The firing rate of the burner shown in the manual is valid for a room temperature of 20°C and an altitude of 0m above sea level (barometric pressure around 1013 mbar).

It may be that a burner has to operate with combustive air at a higher temperature and/or higher altitudes.

The heating of the air and the increase in altitude produce the same effect: the expansion of the air volume (i.e. the reduction of its density).

The delivery of the burner fan remains essentially the same, but the oxygen per m³ of air, and the thrust (discharge head) of the fan are reduced.

It is therefore important to know if the maximum output requested from the burner at a determinate combustion chamber pressure remains within the firing rate of the burner even with the changed temperature and altitude conditions.

To check it, proceed as follows:

- 1 -Find the corrective factor F (relating to the air temperature and altitude of the system) in the table alongside.
- 2 -Divide the output Q required from the burner by F to obtain the equivalent output Qe:

$$Q_e = Q : F \text{ (kW)}$$

- 3 -In the firing rate of the burner, mark the work point identified by:

Qe = equivalent output

H1 = pressure in combustion chamber

point A that must remain within the firing rate (Fig. 40).

- 4 -Trace a vertical line from point A, Fig. 40, and find the maximum pressure H2 of the firing rate.

- 5 -Multiply H2 by F to obtain the maximum lowered pressure H3 of the firing rate

$$H3 = H2 \times F \text{ (mbar)}$$

If H3 is greater than H1, as in Fig. 40, the burner can produce the delivery requested.

If H3 is less than H1, it is necessary to reduce the burner output. The reduction in output is accompanied by a reduction in the combustion chamber pressure:

Qr = reduced output

H1r = reduced pressure

$$H1r = H1 \times \left(\frac{Q_r}{Q}\right)^2$$

Example, 5% reduction in output:

$$Q_r = Q \times 0.95$$

$$H1r = H1 \times (0.95)^2$$

With the new values - Qr and H1r - repeat steps 2 - 5.

Warning:

the combustion head should be adjusted in relation to the equivalent output Qe.

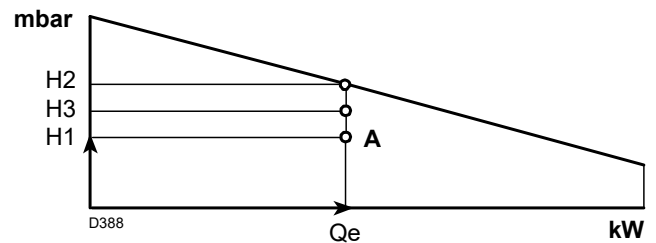


Fig. 40

Altitude m. above sea level	Average barometric pressure mbar	F							
		Air temperature °C							
		0	5	10	15	20	25	30	40
0	1013	1.087	1.068	1.049	1.031	1.013	0.996	0.980	0.948
100	1000	1.073	1.054	1.035	1.017	1.000	0.983	0.967	0.936
200	989	1.061	1.042	1.024	1.006	0.989	0.972	0.956	0.926
300	978	1.050	1.031	1.013	0.995	0.978	0.962	0.946	0.916
400	966	1.037	1.018	1.000	0.983	0.966	0.950	0.934	0.904
500	955	1.025	1.007	0.989	0.972	0.955	0.939	0.923	0.894
600	944	1.013	0.995	0.977	0.960	0.944	0.928	0.913	0.884
700	932	1.000	0.982	0.965	0.948	0.932	0.916	0.901	0.872
800	921	0.988	0.971	0.954	0.937	0.921	0.906	0.891	0.862
900	910	0.977	0.959	0.942	0.926	0.910	0.895	0.880	0.852
1000	898	0.964	0.946	0.930	0.914	0.898	0.883	0.868	0.841
1200	878	0.942	0.925	0.909	0.893	0.878	0.863	0.849	0.822
1400	856	0.919	0.902	0.886	0.871	0.856	0.842	0.828	0.801
1600	836	0.897	0.881	0.866	0.851	0.836	0.822	0.808	0.783
1800	815	0.875	0.859	0.844	0.829	0.815	0.801	0.788	0.763
2000	794	0.852	0.837	0.822	0.808	0.794	0.781	0.768	0.743
2400	755	0.810	0.796	0.782	0.768	0.755	0.742	0.730	0.707
2800	714	0.766	0.753	0.739	0.726	0.714	0.702	0.690	0.668
3200	675	0.724	0.711	0.699	0.687	0.675	0.664	0.653	0.632
3600	635	0.682	0.669	0.657	0.646	0.635	0.624	0.614	0.594
4000	616	0.661	0.649	0.638	0.627	0.616	0.606	0.596	0.577

Sección		Pág.
1	Informaciones y advertencias generales	2
	1.1 Información sobre el manual de instrucción	2
	1.2 Garantía y responsabilidades	2
2	Seguridad y prevención	3
	2.1 Introducción	3
	2.2 Adiestramiento del personal	3
3	Descripción técnica del quemador	4
	3.1 Designación quemadores	4
	3.2 Modelos disponibles	4
	3.3 Categorías del quemador - países de destino	4
	3.4 Datos técnicos	5
	3.5 Datos eléctricos	5
	3.6 Peso quemador	6
	3.7 Dimensiones	6
	3.8 Campos de trabajo	7
	3.9 Componentes del quemador	8
	3.10 Material suministrado en dotación	9
	3.11 Caja de control	9
	3.12 Servomotor	9
4	Instalación	10
	4.1 Notas sobre la seguridad para la instalación	10
	4.2 Traslado	10
	4.3 Controles preliminares	10
	4.4 Posición de funcionamiento	11
	4.5 Fijación del quemador a la caldera	11
	4.6 Regulación del cabezal de combustión	13
	4.7 Montaje de la rampa de gas	14
	4.8 Línea alimentación de gas	15
	4.9 Conexiones eléctricas	16
	4.10 Calibración del relé térmico	17
5	Puesta en funcionamiento, calibración y funcionamiento del quemador	18
	5.1 Notas sobre la seguridad para la primera puesta en funcionamiento	18
	5.2 Operaciones antes de la puesta en funcionamiento	18
	5.3 Arranque del quemador	19
	5.4 Encendido del quemador	19
	5.5 Regulación del quemador	19
	5.6 Secuencia de funcionamiento del quemador	22
	5.7 Apagado del quemador en funcionamiento	22
	5.8 Parada del quemador	22
	5.9 Medición de la corriente de ionización	23
	5.10 Control de la presión del aire y del gas en el cabezal de combustión	23
	5.11 Controles finales (con el quemador funcionando)	23
6	Anomalías - Causas - Soluciones	24
	6.1 Funcionamiento normal/Tiempo de detección llama	25
7	Mantenimiento	26
	7.1 Notas sobre la seguridad para el mantenimiento	26
	7.2 Programa de mantenimiento	26
	7.3 Apertura del quemador	28
	7.4 Cierre del quemador	28
A	Apéndice - Esquema cuadro eléctrico	29
B	Apéndice - Accesorios (sobre demanda)	35
C	Apéndice - Presión de alimentación de gas	37
D	Apéndice - Campo de trabajo en función de la densidad del aire	38

1.1 Información sobre el manual de instrucción

Introducción

El manual de instrucción entregado como suministro del quemador:

- constituye parte integrante y fundamental del producto y no se lo debe separar del quemador; por lo tanto debe conservarse con cuidado para toda necesidad de consulta y debe acompañar al quemador incluso en caso de entregarse a otro propietario o usuario, o en caso de transferencia a otra instalación. En caso de daño o extravío debe solicitarse otro ejemplar al Servicio Técnico de Asistencia **Riello** de la Zona;
- fue realizado para uso de personal calificado;
- suministra importantes indicaciones y advertencias sobre la seguridad de la instalación, la puesta en funcionamiento, el uso y el mantenimiento del quemador.

Simbología utilizada en el manual

En algunas partes del manual figuran señales triangulares de PELIGRO. Prestar mucha atención a las mismas ya que indican una situación de peligro potencial.

PELIGROS GENERALES

Los **peligros** pueden ser de **3 niveles**, como se indica a continuación.



PELIGRO

¡Máximo nivel de peligro!

Este símbolo distingue a las operaciones que si no se ejecutan correctamente causarán graves lesiones, muerte o riesgos a largo plazo para la salud.



ATENCIÓN

Este símbolo distingue a las operaciones que si no se ejecutan correctamente podrían causar graves lesiones, muerte o riesgos a largo plazo para la salud.



PRECAUCIÓN

Este símbolo distingue a las operaciones que si no se ejecutan correctamente podrían causar daños a la máquina y/o a las personas.

1.2 Garantía y responsabilidades

Riello garantiza sus productos nuevos a partir de la fecha de instalación según las normativas vigentes y/o de acuerdo con el contrato de venta. Verificar, en el momento de la primera puesta en funcionamiento, que el quemador esté en buen estado y completo.



ATENCIÓN

La inobservancia de todo lo descrito en este manual, la negligencia operativa, una instalación incorrecta y la realización de modificaciones no autorizadas serán causa de anulación por parte de **Riello**, de la garantía que la misma otorga al quemador.

En particular, los derechos a la garantía y a la responsabilidad caducarán, en caso de daños a personas y/o cosas cuando los daños hayan sido originados por una o más de las siguientes causas:

- instalación, puesta en funcionamiento, uso y mantenimiento del quemador incorrectos;
- uso impropio, erróneo e irracional del quemador;
- intervención de personal no habilitado;
- realización de modificaciones no autorizadas en el aparato;
- uso del quemador con dispositivos de seguridad defectuosos,

aplicados en forma incorrecta y/o que no funcionen;

- instalación de los componentes adicionales no probados junto con el quemador;
- alimentación del quemador con combustibles no aptos;
- defectos en la instalación de alimentación del combustible;
- uso del quemador aunque se compruebe algún error y/o anomalía;
- reparaciones y/o revisiones realizadas en forma incorrecta;
- modificación de la cámara de combustión mediante introducción de elementos que impidan el normal desarrollo de la llama implementada en fábrica;
- insuficiente e inadecuada vigilancia y cuidado de los componentes del quemador que están mayormente sujetos a desgaste;
- uso de componentes no originales **Riello**, sean éstos recambios, kits, accesorios y opcionales;
- causas de fuerza mayor.

Riello además declina toda y cualquier responsabilidad por la inobservancia de todo cuanto mencionado en el presente manual.

PELIGRO COMPONENTES CON TENSIÓN



PELIGRO

Este símbolo distinguirá las operaciones que si no se ejecutan correctamente causarán descargas eléctricas con consecuencias mortales.

Otros símbolos



DEFENSA DEL MEDIO AMBIENTE

Este símbolo suministra indicaciones para usar la máquina respetando el medio ambiente.



Este símbolo distingue a una lista.

Abreviaturas utilizadas

Cap.	Capítulo
Fig.	Figura
Pág.	Página
Sec.	Sección
Tab.	Tabla

Entrega de la instalación y del manual de instrucción

En ocasión de la entrega de la instalación es necesario que:

- El manual de instrucción sea entregado por el proveedor de la instalación al usuario, con la advertencia de que dicho manual debe ser conservado en el local de la instalación del generador de calor.
 - En el manual de instrucción figuran: el número de matrícula del quemador; la dirección y el número de teléfono del Centro de Asistencia más cercano;
 - El proveedor de la instalación informe con precisión al usuario acerca de:
 - el uso de la instalación,
 - eventuales pruebas adicionales necesarias de realizar antes de la activación de la instalación,
 - el mantenimiento y la necesidad de controlar la instalación por lo menos una vez al año por parte de un encargado de la empresa fabricante o de otro técnico especializado.
- Para garantizar un control periódico, **Riello** se recomienda estipular un Contrato de Mantenimiento.

2.1 Introducción

Los quemadores **Riello** fueron diseñados y fabricados en conformidad con las normas y directivas vigentes, aplicando las regulaciones técnicas de seguridad conocidas y previendo todas las situaciones de peligro potenciales.

Sin embargo es necesario considerar que usar el aparato de modo imprudente y sin experiencia puede causar situaciones de peligro mortales para el usuario o terceros, además de daños al quemador y a otros bienes. La distracción, imprevisión y demasiada confianza a menudo son causa de accidentes; como pueden serlo el cansancio y la somnolencia.

Es conveniente tener en cuenta lo siguiente:

- El quemador debe destinarse sólo al uso para el cual fue expresamente previsto. Todo otro uso debe considerarse impropio y por lo tanto peligroso.

En detalle:

puede ser aplicado a calderas de agua, de vapor, de aceite diatérmico, y a otros dispositivos expresamente previstos por el fabricante;

el tipo y la presión del combustible, la tensión y la frecuencia de la corriente eléctrica de alimentación, los caudales mínimos y máximos con los cuales está regulado el quemador, la presurización de la cámara de combustión, las dimensiones de la cámara de combustión, la temperatura ambiente, deben estar comprendidos dentro de los valores indicados en el manual de instrucción.

- No está permitido modificar el quemador para alterar las prestaciones ni los destinos.
- El uso del quemador se debe realizar en condiciones de seguridad técnica irreprochables. Los eventuales inconvenientes que puedan comprometer la seguridad se deben eliminar inmediatamente.
- No está permitido abrir o alterar los componentes del quemador, excepto aquellas partes previstas en el mantenimiento.
- Se pueden sustituir exclusivamente las piezas previstas por el fabricante.

2.2 Adiestramiento del personal

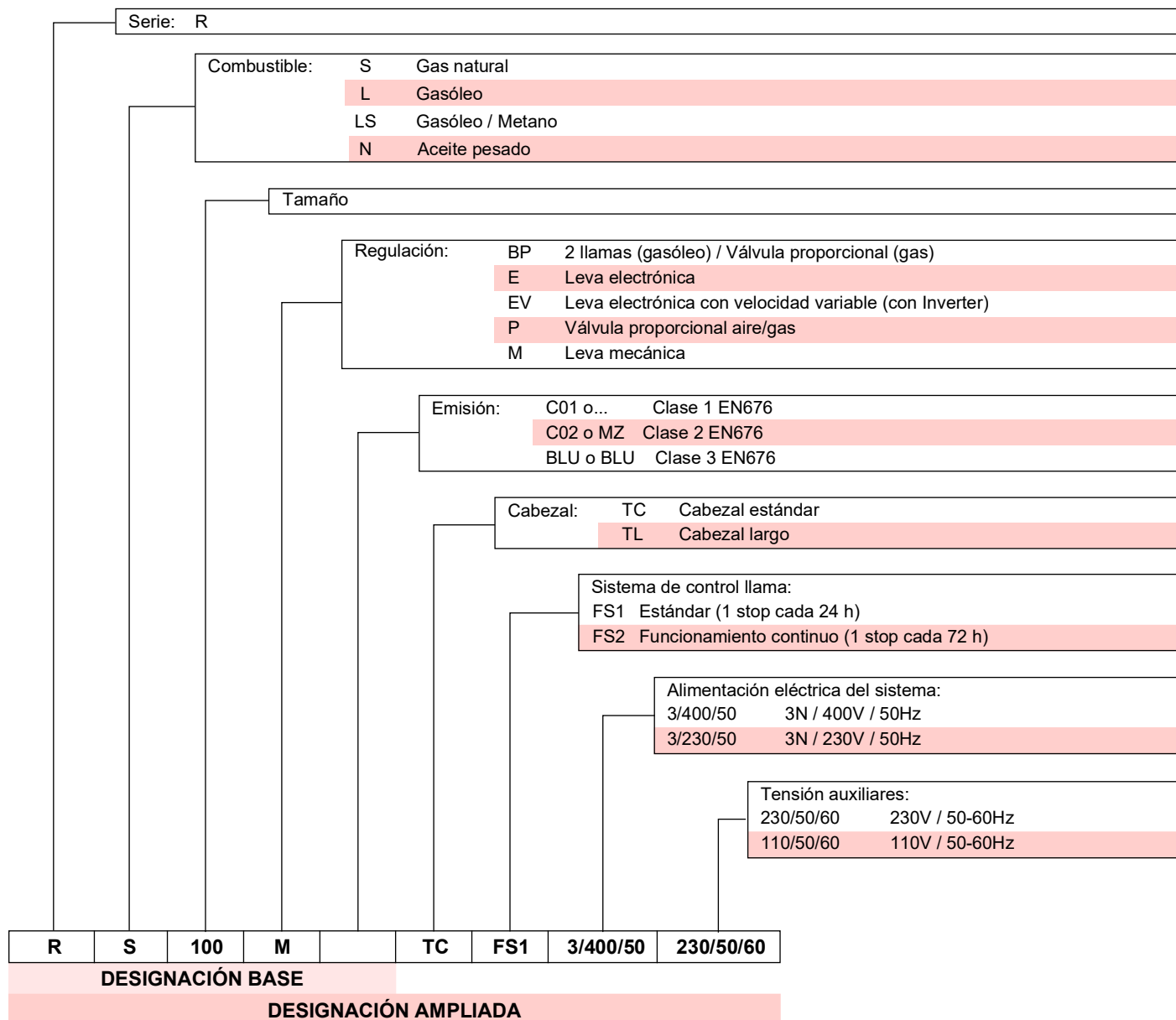
El usuario es la persona, entidad o empresa que compra la máquina y cuya intención es usarla con el fin para el cual fue concebida. Suya es la responsabilidad de la máquina y del adiestramiento de aquellos que trabajen en ella.

El usuario:

- está obligado a confiar la máquina exclusivamente a personal calificado y adiestrado para ese fin;
- es responsable de tomar todas las medidas necesarias para evitar que personas no autorizadas tengan acceso a la máquina;
- está obligado a informar a su personal en forma conveniente sobre la aplicación y observancia de las prescripciones de seguridad. Para ello se responsabiliza de que cualquiera dentro de sus atribuciones tenga conocimiento de las instrucciones para el uso y de las prescripciones de seguridad;
- deberá informar a la empresa fabricante en caso de que compruebe defectos o mal funcionamiento de los sistemas de prevención de accidentes, además de toda situación de supuesto peligro.

- El personal siempre deberá usar los medios de protección individual previstos por la legislación y cumplir todo lo mencionado en el presente manual.
- El personal deberá atenerse a todas las indicaciones de peligro y de precaución señalizadas en la máquina.
- El personal no deberá emplear su propia iniciativa en operaciones o intervenciones que no sean de su competencia.
- El personal tiene la obligación de manifestar a su superior todo problema o situación de peligro que pudiera crearse.
- El montaje de las piezas de otras marcas o eventuales modificaciones pueden cambiar las características de la máquina y por lo tanto perjudicar la seguridad operativa. Por lo tanto, la empresa fabricante declina toda y cualquier responsabilidad por los daños que pudieran surgir causados por el uso de piezas no originales.

3.1 Designación quemadores



3.2 Modelos disponibles

Designación	Tensión	Código	Tensión	Código
RS 70/M TC	3 ~ 400 / 230V - 50Hz	3789610	3 ~ 380 / 220V - 60Hz	3787082
RS 70/M TL	3 ~ 400 / 230V - 50Hz	3789611	3 ~ 380 / 220V - 60Hz	3787083
RS 100/M TC	3 ~ 400 / 230V - 50Hz	3789710	3 ~ 380 / 220V - 60Hz	3787282
RS 100/M TL	3 ~ 400 / 230V - 50Hz	3789711	3 ~ 380 / 220V - 60Hz	3787283
RS 130/M TC	3 ~ 400 / 230V - 50Hz	3789810	3 ~ 380 / 220V - 60Hz	3787482
RS 130/M TL	3 ~ 400 / 230V - 50Hz	3789811	3 ~ 380 / 220V - 60Hz	3787483

3.3 Categorías del quemador - países de destino

País de destino	Categoría gas
AT, BG, CH, CZ, DK, EE, FI, GR, HU, IS, IT, LT, NO, RO, SE, SK, SI, TR	I12H3B/P
ES, GB, IE, PT	I12H3P
LU, PL	I12E3B/P
BE	I2E(R) I3P
DE	I12ELL3B/P
CY, MT	I3B/P
NL	I12EK3B/P
FR	I12Er3P
LV	I2H

3.4 Datos técnicos

Modelo			RS 70/M	RS 100/M	RS 130/M	RS 70/M	RS 100/M	RS 130/M
Tipo			828T1	829T1	830T1	828T80	829T80	830T80
Potência (1)	máxima	kW Mcal/h	470 - 930 404 - 800	700 - 1340 602 - 1152	920 - 1600 791 - 1376	470 - 930 404 - 800	700 - 1340 602 - 1152	920 - 1600 791 - 1376
	mínima	kW Mcal/h	150 129	150 129	254 218	150 129	150 129	254 218
Combustible			Gas natural: G20 - G25					
Funcionamiento			Intermitente (mín. 1 paro en 24 horas)					
Utilización estándar			Calderas: de agua, a vapor y aceite diatérmico					
Temperatura ambiente		°C	0 - 40					
Temperatura aire comburente		°C max	60					
Nivel sonoro (2)	Presión sonora	dB(A)	75	77	78,5	75	77	78,5
	Potencia sonora		86	88	89,5	86	88	89,5
CE		No.	CE-0476DP3335			-		

(1) Condiciones de referencia: Temperatura ambiente 20°C - Temperatura gas 15°C - Presión barométrica 1013 mbar - Altitud sobre el nivel del mar 0 m.

(2) Presión sonora medida en el laboratorio de combustión del fabricante, con quemador en funcionamiento en caldera de prueba, a la potencia máxima. La Potencia sonora se mide con el método "Free Field", previsto por la Norma EN 15036, y según una precisión de medición "Accuracy: Category 3", como se describe en la Norma EN ISO 3746.

3.5 Datos eléctricos

Tipo	828T1	829T1	830T1	
Alimentación eléctrica principal	3 ~ 400/230V +/-10% 50Hz			
Alimentación eléctrica circuito auxiliar	1N ~ 230V 50Hz			
Potencia eléctrica absorbida	kW máx	1,4	1,8	2,6
Grado de protección		IP 44		

Tipo	828T80	829T80	830T80	
Alimentación eléctrica principal	3 ~ 380/220V +/-10% 60Hz			
Alimentación eléctrica circuito auxiliar	1N ~ 220V 60Hz			
Potencia eléctrica absorbida	kW máx	1,4	1,8	2,6
Grado de protección		IP 44		

3.6 Peso quemador

El peso del quemador incluyendo el embalaje figura en la tabla.

Modelo	kg
RS 70/M	70
RS 100/M	73
RS 130/M	76

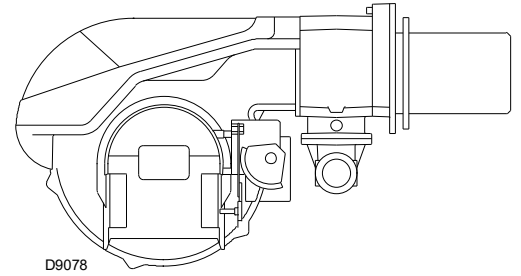


Fig. 1

3.7 Dimensiones

Las dimensiones del quemador se muestran en la Fig. 2.

Tener en cuenta que para inspeccionar el cabezal de combustión, el quemador debe abrirse desplazando la parte posterior por las guías.

Las dimensiones del quemador abierto están indicadas por la cota I.

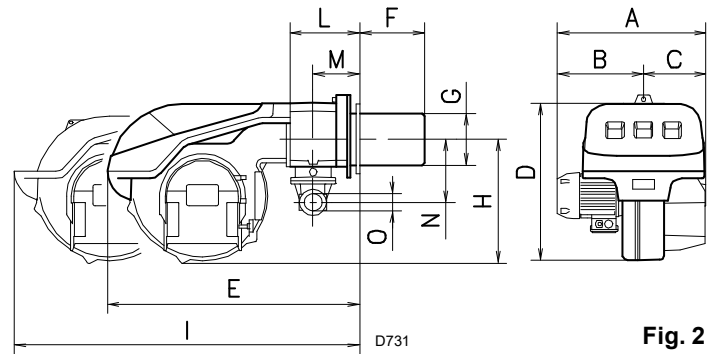
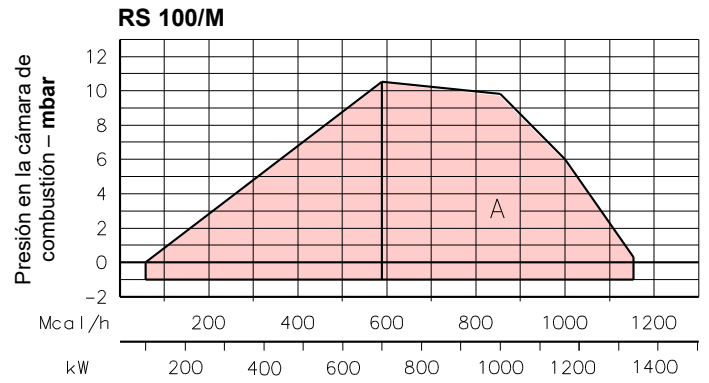
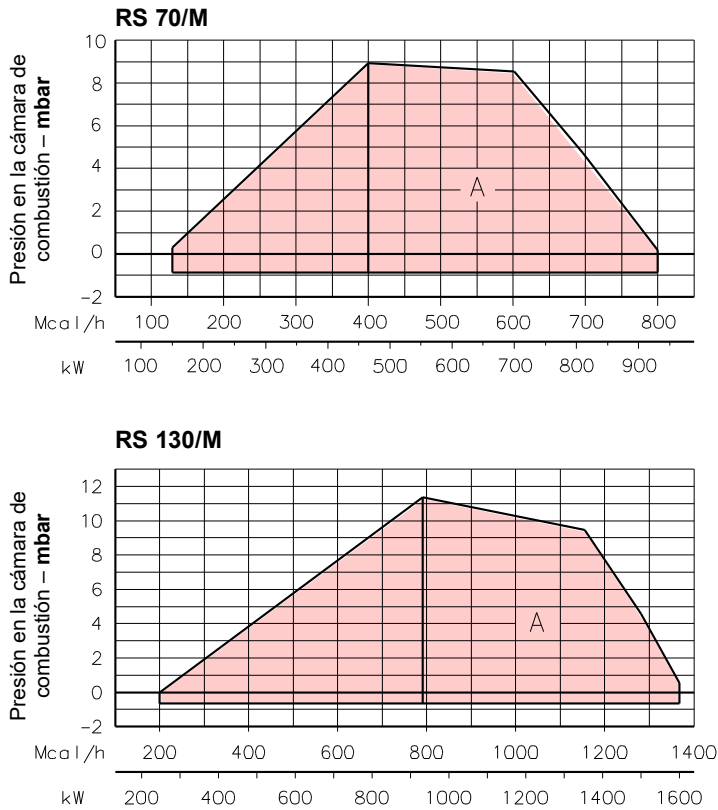


Fig. 2

mm	A	B	C	D	E	F ⁽¹⁾	G	H	I ⁽¹⁾	L	M	N	O
RS 70/M	511	296	215	555	840	250-385	179	430	1161-1296	214	134	221	2"
RS 100/M	527	312	215	555	840	250-385	179	430	1161-1296	214	134	221	2"
RS 130/M	553	338	215	555	840	280-415	189	430	1161-1296	214	134	221	2"

(1) Tubo llama: corto-largo

3.8 Campos de trabajo



La **potencia máxima** debe elegirse dentro del área **A** del gráfico.

La **potencia mínima** no debe ser inferior al límite mínimo del gráfico:

Atención

El campo de trabajo se ha calculado considerando una temperatura ambiente de 20 °C, una presión barométrica de 1.013 mbar (aprox. a 0 m s.n.m.) y con el cabezal de combustión regulado como se indica en el Cap. 4.6.

Fig. 3

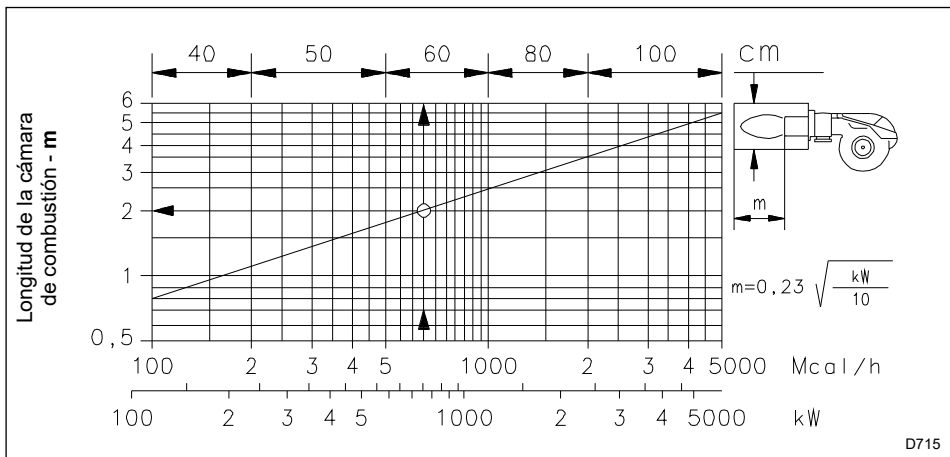


Fig. 4

Los gráficos se han obtenido con calderas de prueba especiales, según la norma EN 676.

En la Fig. 4 se indica el diámetro y longitud de la cámara de combustión de prueba.

Ejemplo

Potencia 756 kW (650 Mcal/h):
diámetro 60 cm,
longitud 2 m.

El acoplamiento estará asegurado si la caldera tiene la homologación CE; para calderas o hornos con cámaras de combustión de dimensiones muy diferentes a las indicadas en el gráfico de la Fig. 4 se recomienda realizar controles preliminares.

3.9 Componentes del quemador

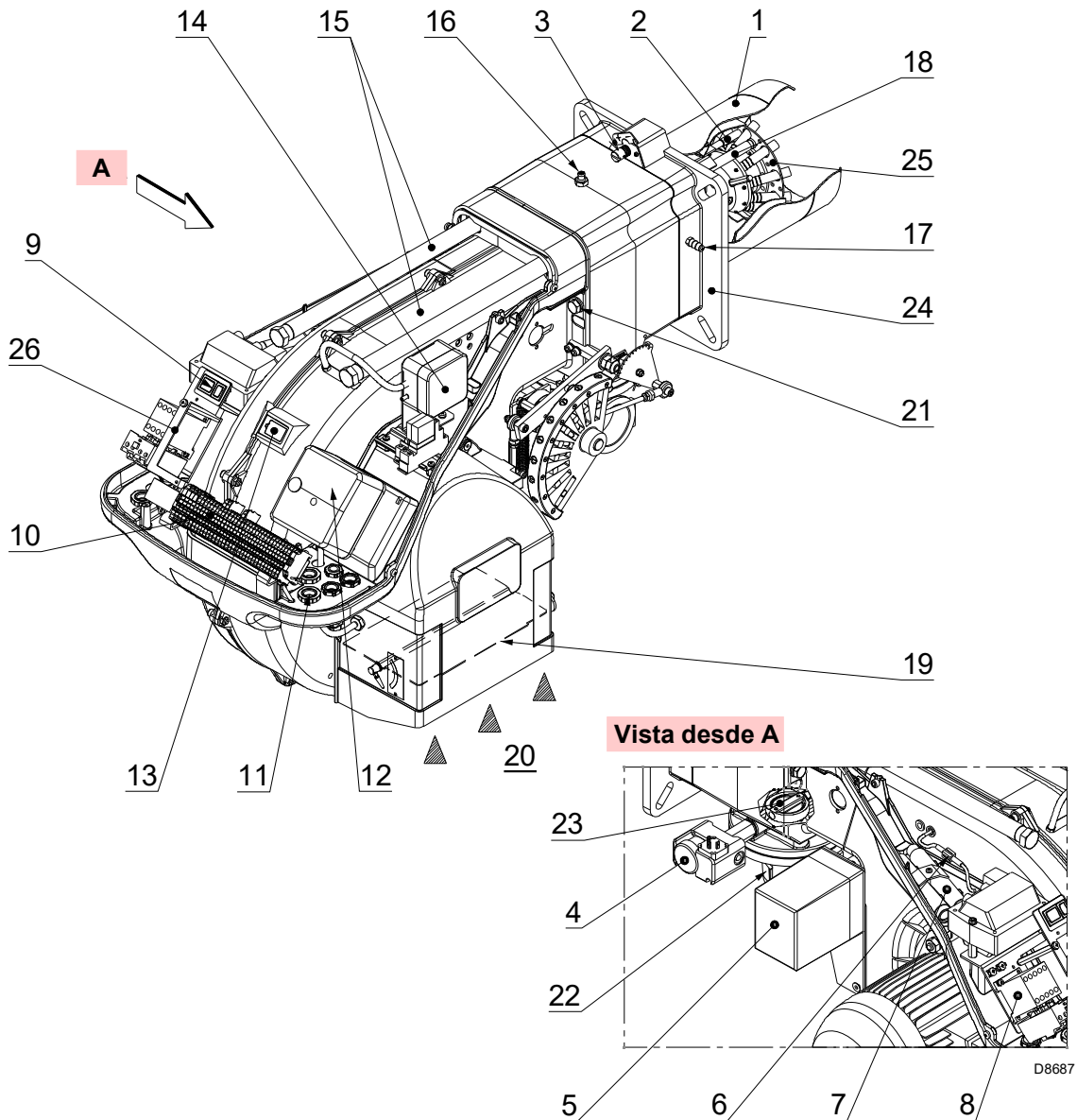


Fig. 5

- | | | | | | |
|---|--|----|---|----|---|
| 1 | Cabezal de combustión | 7 | Alargadores para guías 15) | 16 | Toma de presión gas y tornillo fijación cabezal |
| 2 | Electrodo de encendido | 8 | Contactador motor y relé térmico con pulsador de desbloqueo | 17 | Toma de presión aire |
| 3 | Tornillo regulación cabezal de combustión | 9 | Un interruptor para: funcionamiento automático - manual - paro | 18 | Sonda para controlar la presencia de llama |
| 4 | Presostato gas de máxima | 10 | Un pulsador para: aumento - disminución de potencia | 19 | Registro de aire |
| 5 | Servomotor, para el control de la válvula de mariposa del gas y, mediante una leva de perfil variable, el registro del aire. Cuando el quemador está parado, el registro del aire está completamente cerrado para reducir al mínimo la dispersión térmica de la caldera debido al tiro de la chimenea que toma aire de la boca de aspiración del ventilador. | 11 | Regleta de conexión eléctrica | 20 | Entrada aire del ventilador |
| 6 | Conector macho-hembra cable sonda de ionización | 12 | Conexiones eléctricas a cargo del instalador | 21 | Tornillos fijación del ventilador al manguito |
| | | 13 | Caja de control con piloto luminoso de bloqueo y pulsador de desbloqueo | 22 | Conducto entrada gas |
| | | 14 | Visor llama | 23 | Válvula mariposa gas |
| | | 15 | Presostato aire (tipo diferencial) | 24 | Brida para fijación a la caldera |
| | | | 16 | 25 | Disco estabilizador de llama |
| | | | 17 | 26 | Brida para aplicar el regulador de potencia RWF |
| | | | 18 | | |
| | | | 19 | | |
| | | | 20 | | |
| | | | 21 | | |
| | | | 22 | | |
| | | | 23 | | |
| | | | 24 | | |
| | | | 25 | | |
| | | | 26 | | |

3.10 Material suministrado en dotación

El quemador se entrega con:

- Brida para rampa de gas
- Junta para brida
- 4 tornillos para fijar la brida M8x25
- Junta aislante
- Alargadores (7) per guías (15): sólo para versiones TL
- N° 4 tornillos para fijar la brida del quemador a la caldera M12x35
- Manual de instrucciones
- Lista de recambios



Se recomienda ajustar los tornillos de la brida gas a un par de ajuste de **30 Nm ±10%**.



Ajustar las tuercas gradualmente (primero al 30%, luego al 60% hasta el 100%) según el esquema de cruz indicado en la figura.

3.11 Caja de control

Introducción

La caja de control RMG/M 88.62... montada en los quemadores serie **RS**, está proyectada para el control y el arranque de quemadores de gas de aire soplado con funcionamiento intermitente.

De acuerdo con:

- Norma técnica EN676 (quemadores de gas)
- Norma técnica EN298 (aparatos de gas)



S8906

Fig. 6



Todas las operaciones de instalación, mantenimiento y desmontaje deben ser realizadas en su totalidad con la red eléctrica desconectada. Para evitar daños a cosas o personas, no abra ni modifique la caja.



La instalación de la caja debe ser realizada por personal habilitado, de acuerdo con las normas y disposiciones de ley vigentes.

Datos técnicos

Alimentación eléctrica	AC 220.....240V +10% / -15%
Frecuencia	50.....60 Hz +/- 6%
Fusible interno	T6,3H250V
Funcionamiento inferior del valor nominal de alimentación eléctrica	
Valor mínimo de funcionamiento al disminuir la alimentación eléctrica desde el valor nominal	aproximadamente AC 160 V
Valor mínimo de funcionamiento al aumentar la alimentación eléctrica hacia el valor nominal	aproximadamente AC 175 V
Carga máxima de los contactos:	

Salida de alarma	
Alimentación nominal	AC 230 V, 50/60 Hz
Corriente máxima	0,5 A
Longitud cables permitida	
Termóstato	máx. 20 m a 100 pF/m
Presostato aire	máx. 1 m a 100 pF/m
CPI	máx. 1 m a 100 pF/m
Presostato gas	máx. 20 m a 100 pF/m
Detector de llama	max. 1 m
Desbloqueo a distancia	máx. 20 m a 100 pF/m
Par de apriete tornillos M4	máx. 0,8 Nm

3.12 Servomotor

El servomotor regula simultáneamente el registro del aire mediante la leva de perfil variable y la válvula de mariposa del gas. El servomotor gira a 130° en 42 segundos.



No modificar la regulación efectuada en fábrica de las 5 levas con que va dotado; verificar simplemente que las levas estén reguladas del siguiente modo:

Leva I: 130°

Limita la rotación máxima.

Con el quemador funcionando a la MÁX potencia, la válvula de mariposa del gas debe estar completamente abierta: 90°.

Leva II: 0°

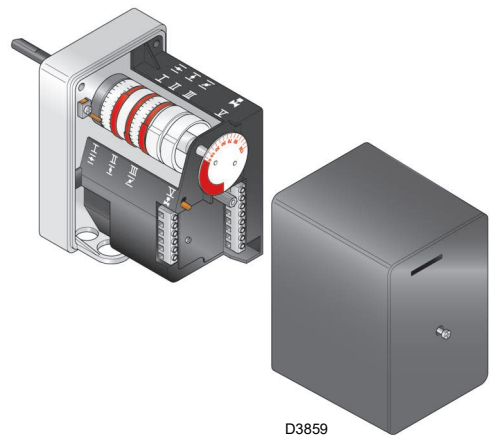
Limita la rotación mínima.

Con el quemador parado, el registro de aire y la válvula de mariposa del gas deben estar cerrados: 0°.

Leva III: 30°

Regula la posición de encendido y de la potencia MÍN.

Leva V: solidaria con la leva III.



D3859

Fig. 7

4.4 Posición de funcionamiento

El quemador está preparado exclusivamente para el funcionamiento en las posiciones **1, 2, 3 y 4**.

Es conveniente escoger la instalación **1** puesto que es la única que permite el mantenimiento tal como descrito a continuación en este manual. Las instalaciones **2, 3 y 4** permiten el funcionamiento pero complican las operaciones de mantenimiento y de inspección del cabezal de combustión.

Cualquier otro posicionamiento debe considerarse comprometedor para el funcionamiento correcto del aparato. La instalación **5** está prohibida por motivos de seguridad.

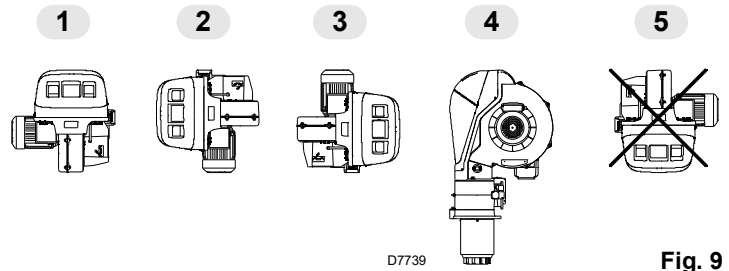


Fig. 9

4.5 Fijación del quemador a la caldera

Preparación de la caldera

Perforación de la placa caldera

Taladrar la placa de cierre de la cámara de combustión tal como se indica en la Fig. 10. Puede marcarse la posición de los orificios roscados utilizando la junta aislante que se suministra con el quemador.

mm	A	B	C
RS 70/M	185	275 - 325	M 12
RS 100/M	185	275 - 325	M 12
RS 130/M	195	275 - 325	M 12

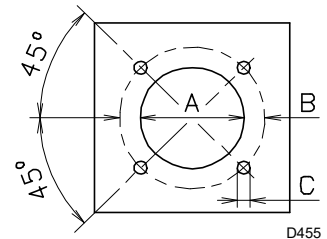


Fig. 10

Longitud de tubo llama

La longitud del tubo llama debe seleccionarse de acuerdo con las indicaciones del fabricante de la caldera y, en cualquier caso, debe ser mayor que el espesor de la puerta de la caldera completa, con el material refractario incluido.

Las longitudes L disponibles son las indicadas en la tabla de abajo.

Tubo llama	corto	largo
RS 70/M	250 mm	385 mm
RS 100/M	250 mm	385 mm
RS 130/M	280 mm	415 mm

Para calderas con pasos de humos delanteros 15) o con cámara de inversión de llama, colocar una protección de material refractario 13) entre el refractario de la caldera 14) y el tubo de llama 12). Esta protección debe permitir el desplazamiento del tubo de llama. Véase Fig. 11.

En calderas con frente refrigerado por agua, no es necesario el revestimiento refractario 13)-14) salvo que lo indique expresamente el fabricante de la caldera.

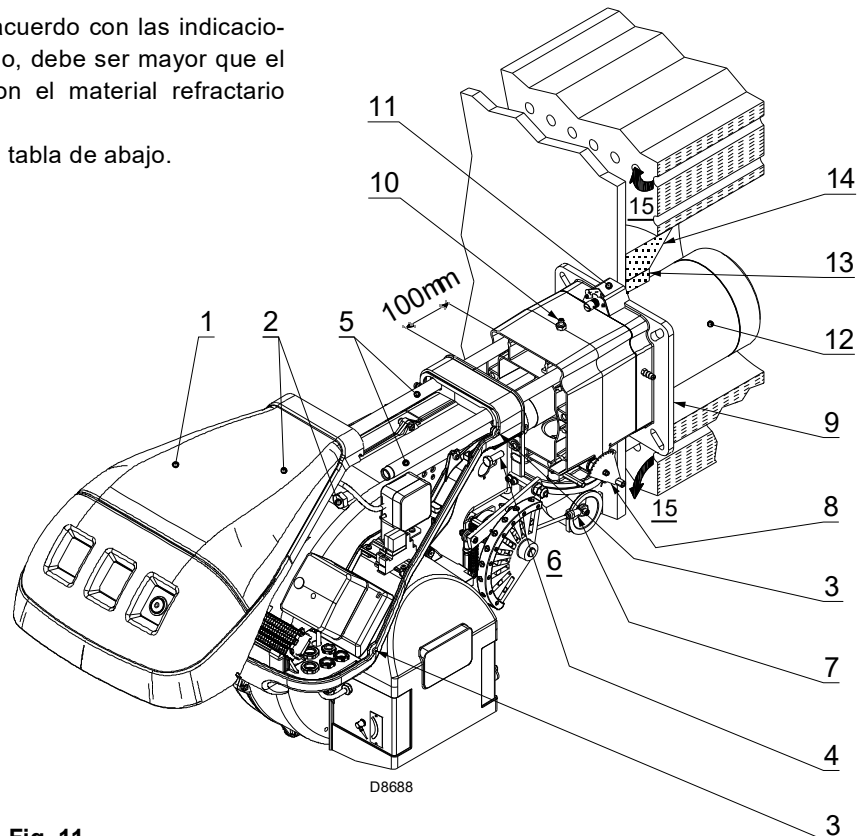


Fig. 11

Fijación del quemador a la caldera



ATENCIÓN

Antes de fijar el quemador a la caldera, controlar desde la apertura del tubo llama, si la sonda y el electrodo están correctamente colocados como en la Fig. 12.

Si en el control anterior, la posición de la sonda o del electrodo no era la correcta, sacar el tornillo 1)(Fig. 13), extraer la parte interior 2)(Fig. 13) del cabezal y proceder a su calibración.

No hacer girar la sonda, sino dejarla como en la Fig. 12; ya que si se sitúa demasiado cerca del electrodo de encendido podría dañar el amplificador de la caja de control.

Luego separar el cabezal de combustión del resto del quemador, Fig. 11.

Para lograr esto proceder de la siguiente manera:

- aflojar los 4 tornillos 3) y sacar la tapa 1);
- desenganchar la articulación 7) del sector graduado 8);
- desenroscar los tornillos 2) de las dos guías 5);
- Desenroscar los dos tornillos 4) y desplazar el quemador por las guías 5) unos 100 mm;
- Desconectar los cables de la sonda y del electrodo y a continuación extraer por completo el quemador de las guías.

Una vez realizada esta eventual operación, fijar la brida 11)(Fig. 11) a la placa de la caldera, intercalando la protección aislante 9)(Fig. 11) suministrada.

Utilizar los 4 tornillos suministrados, con un par de torsión de $35 \div 40$ Nm, después de proteger la rosca con productos antigripado.



ATENCIÓN

La junta quemador-caldera debe ser hermética. después del arranque (véase Cap. 5.3) controlar que no haya escapes de humos hacia el ambiente exterior.

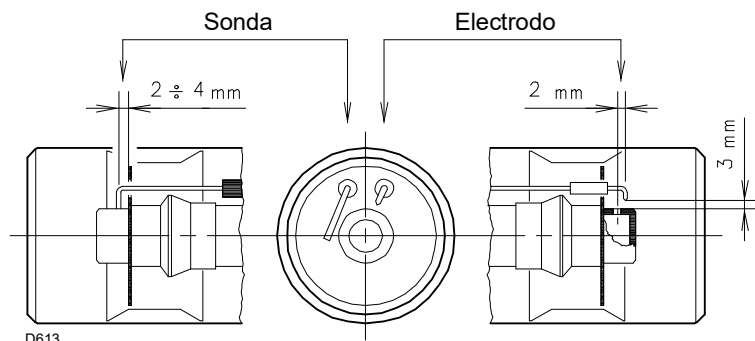


Fig. 12

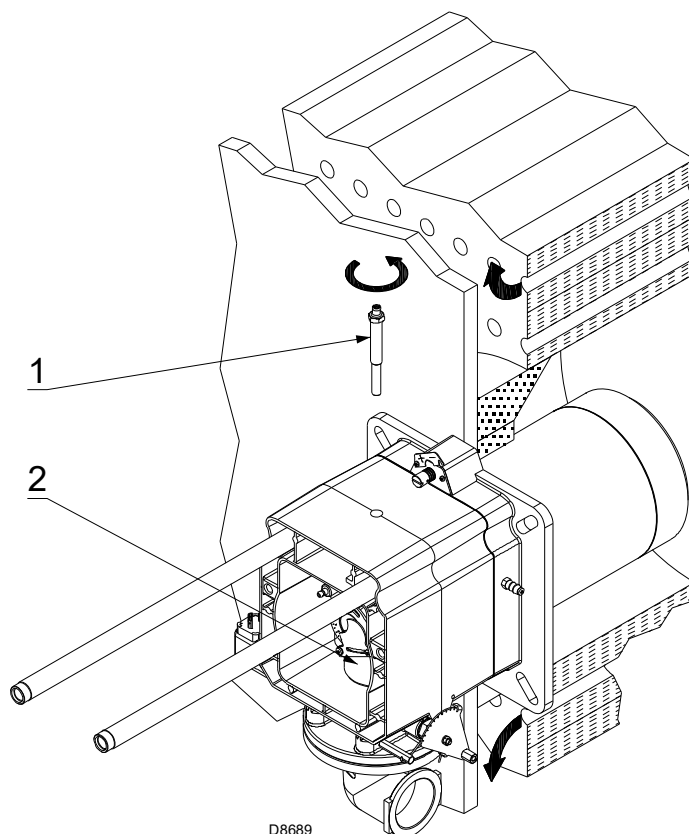


Fig. 13

4.6 Regulación del cabezal de combustión

En este punto de la instalación el cabezal de combustión se fija a la caldera como en la Fig. 13.

Es particularmente fácil su regulación, la cual depende únicamente de la potencia máxima del quemador.

En el cabezal se deben efectuar dos regulaciones:

- ▶ regulación del aire;
- ▶ regulación del gas.

Buscar en el diagrama de la Fig. 16 la muesca con la cual regular tanto el aire como el gas/aire central.

Regulación aire

Girar el tornillo 2) hasta que coincida la muesca encontrada con el plano delantero 1) de la brida.



Importante

Para facilitar la regulación, aflojar el tornillo 3)(Fig. 14), regular y después bloquear.

Regulación gas

Aflojar los 4 tornillos) y girar la tuerca 5) hasta que coincida la muesca hallada con el índice 3) (Fig. 14). Bloquear los 3 tornillos 4).

Ejemplo

RS 70/M, potencia = 600 kW.

Del diagrama de la Fig. 16 se desprende que para esta potencia las regulaciones del gas y del aire se deben efectuar en la muesca 4.

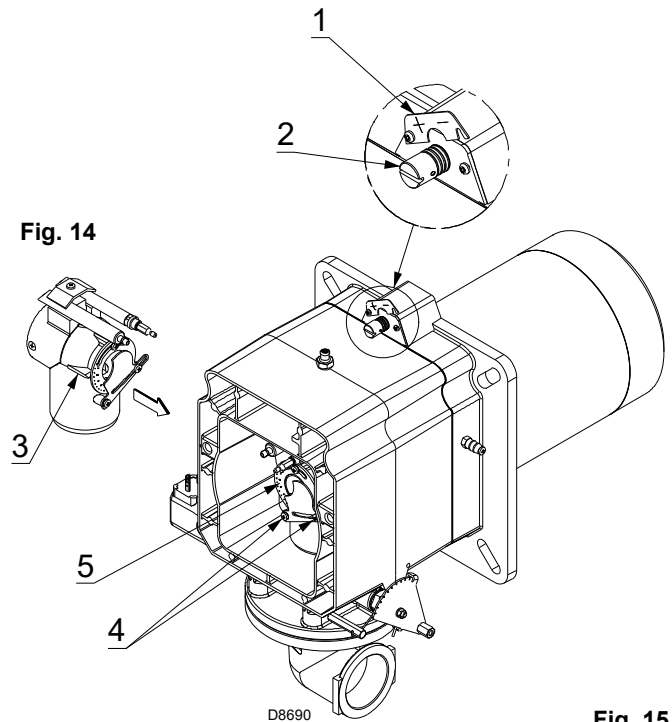


Fig. 15

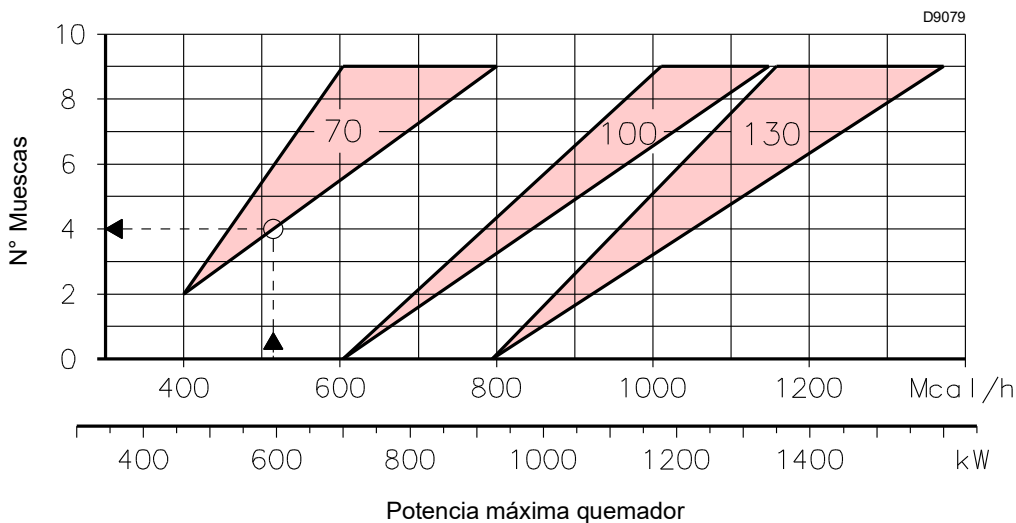


Fig. 16

NOTA

El gráfico muestra una regulación óptima para un tipo de calderas según la Fig. 4. Las regulaciones indicadas se podrán modificar durante la puesta en funcionamiento.

Finalizada la regulación del cabezal de combustión:

- volver a montar el quemador en las guías 3) a unos 100 mm del manguito 4) - quemador en la posición que muestra la Fig. 11;
- conectar el cable de la sonda y el cable del electrodo y luego deslizar el quemador hasta el manguito, quemador en la posición ilustrada en la Fig. 17;
- conectar la toma del presostato gas de máxima;
- volver a colocar los tornillos 2) en las guías 3);

- fijar el quemador al manguito utilizando los tornillos 1).
- volver a enganchar la rótula 7) en el sector graduado 6).



En el momento de cerrar el quemador en las guías, es conveniente tirar suavemente hacia afuera del cable de alta tensión y del de la sonda detección de llama para controlar la presencia de llama hasta que estén ligeramente tensados.

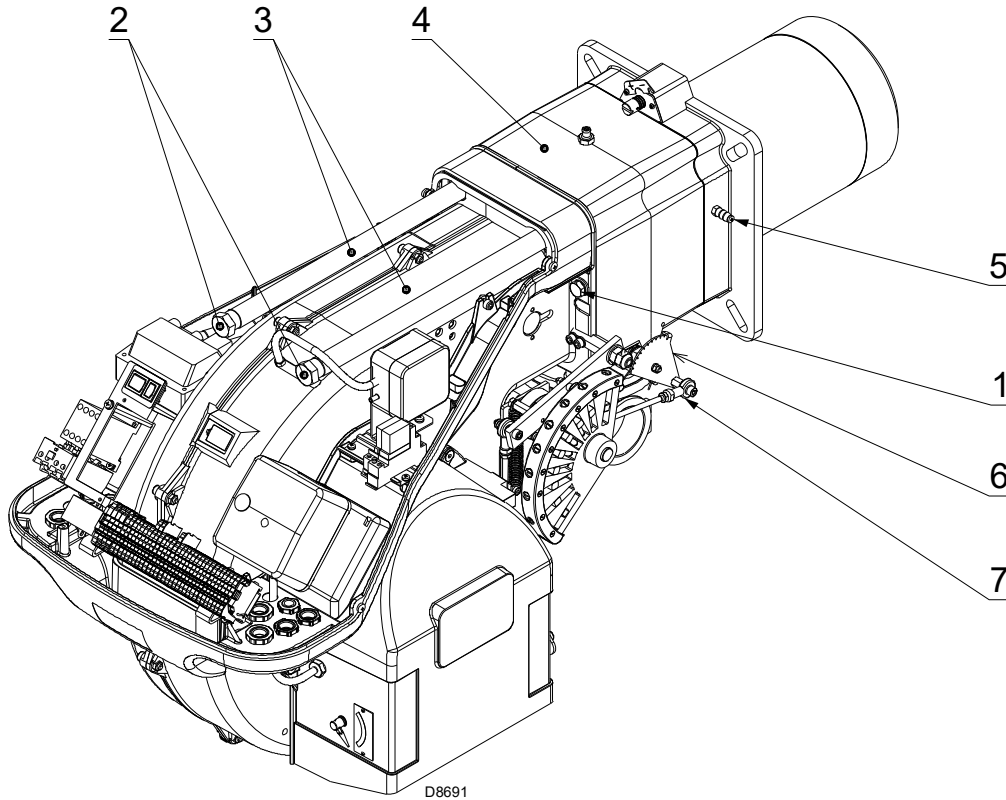


Fig. 17

4.7 Montaje de la rampa de gas

- La rampa de gas está homologada según la norma EN 676 y se suministra por separado del quemador.
- La rampa puede llegar por la derecha o por la izquierda, según convenga. Ver Fig. 18.
- La rampa de gas va acoplada a la conexión de gas 1)(Fig. 18), mediante la brida 2), la junta 3) y los tornillos 4), que se suministran con el quemador.
- Las electroválvulas del gas deben estar lo más cerca posible del quemador, para asegurar la llegada del gas al cabezal de combustión en el tiempo de seguridad de 3 s.
- Asegurarse de que la presión máxima que necesita el quemador esté comprendida dentro del campo de calibración del regulador de presión.

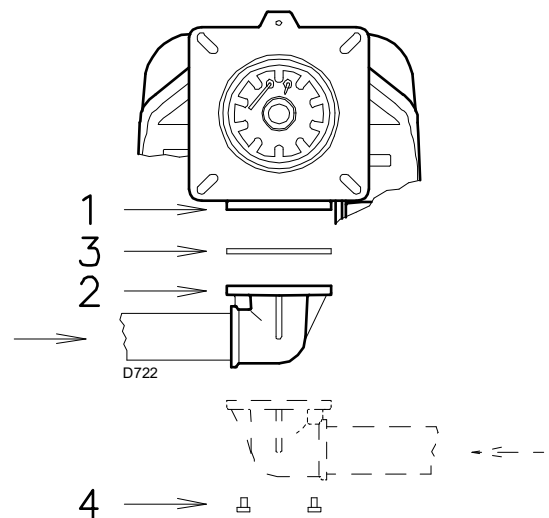


Fig. 18



Para la regulación de la rampa de gas, véase las instrucciones que acompañan a la misma.

4.8 Línea alimentación de gas



ATENCIÓN

Riesgo de explosión a causa de derrame de combustible en presencia de fuentes inflamables.

Precauciones: evitar golpes, roces, chispas, calor.

Verificar el cierre del grifo de interceptación del combustible, antes de efectuar cualquier tipo de intervención en el quemador.



ATENCIÓN

La instalación de la línea de alimentación del combustible debe ser efectuada por personal habilitado, de acuerdo con las normas y las disposiciones de ley vigentes.

Línea alimentación del gas (Ejemplo) - Para los detalles funcionales, consultar el manual de la rampa de gas

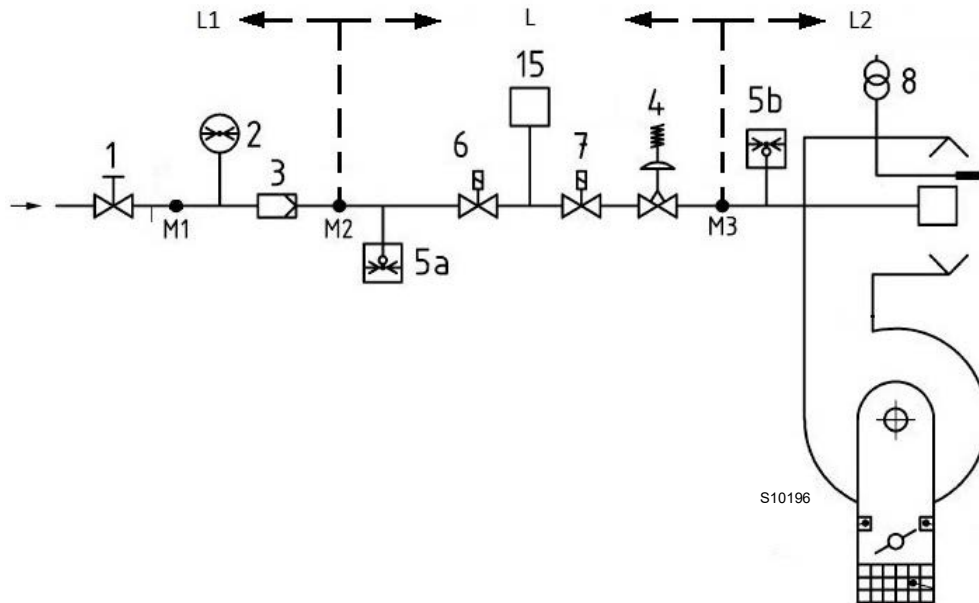


Fig. 1

Leyenda

- 1 Válvula de cierre de accionamiento manual
- 2 Manómetro
- 3 Filtro
- 4 Regulador de presión
- 5 a Dispositivo de protección para baja presión
- 5b Presostato gas de máxima
- 6 Primer dispositivo de seguridad
- 7 Segundo dispositivo de seguridad
- 8 Dispositivo de encendido
- 15 Sistema de control de estanqueidad de la válvula
- L Rampa gas (suministrada por separado)
- L1 A cargo del instalador
- L2 Quemador
- M1 Toma de presión
- M2 Toma de presión
- M3 Toma de presión

4.9 Conexiones eléctricas

Notas sobre la seguridad para las conexiones eléctricas



- Las conexiones eléctricas se deben realizar sin alimentación eléctrica.
- Las conexiones eléctricas deben ser realizadas por personal calificado y según las normas vigentes en el país de destino. Tomar como referencia los esquemas eléctricos que figuran en el Apéndice A.
- **Riello** declina toda responsabilidad por modificaciones o conexiones diferentes a las que figuran en los esquemas eléctricos.
- Controlar que la alimentación eléctrica del quemador corresponda a la que figura en la placa de identificación y en el presente manual. Véase Fig. 8.
- No invertir el neutro con la fase en la línea de alimentación eléctrica. La inversión provocaría una parada en bloqueo por falta de encendido.
- Los quemadores RS 70-100-130/M han sido homologados para funcionar de modo intermitente. Esto significa que deben pararse "por Norma" al menos una vez cada 24 horas para permitir que la caja de control efectúe un control de su eficacia en el arranque. Normalmente la parada del quemador está asegurada por el termostato/presostato de la caldera.
Si no fuese así, debería colocarse en serie con el interruptor IN, un interruptor horario que parase el quemador al menos una vez cada 24 horas. Tomar como referencia los esquemas eléctricos que figuran en el Apéndice A.
- La seguridad eléctrica de aparato se alcanza solamente cuando el mismo está conectado correctamente a una instalación de puesta a tierra eficaz, realizada como está previsto por las normas vigentes. Es necesario controlar este requisito de seguridad fundamental. En caso de dudas, el personal habilitado deberá realizar un cuidadoso control de la instalación eléctrica. No utilizar tubos de gas como instalación de puesta a tierra de aparatos eléctricos.
- La instalación eléctrica debe ser apta para la potencia máxima absorbida del aparato, indicada en la placa y en el manual, asegurando en especial que la sección de los cables tenga la capacidad para la potencia absorbida del aparato.
- Para la alimentación general del aparato de la red eléctrica:
 - no usar adaptadores, tomas múltiples, alargadores;
 - prever un interruptor omnipolar con apertura entre los contactos de al menos 3 mm, como lo prevén las normativas de seguridad vigentes.
- No tocar el aparato con partes del cuerpo mojadas o húmedas y/o descalzo.
- No tirar de los cables eléctricos.

Si todavía está colocada, retirar la tapa y realizar las conexiones eléctricas según los esquemas del Apéndice A.

Utilizar cables flexibles según norma EN 60 335-1.

Todos los cables que se conecten al quemador deben pasar por los pasacables.

Véase Fig. 20.

El uso de los pasacables se puede realizar de formas diferentes; a modo de ejemplo, indicamos la forma siguiente:

- 1 - Alimentación trifásica
- 2 - Alimentación monofásica
- 3 - Válvulas de gas
- 4 - Presostato gas o dispositivo para el control de estanqueidad de las válvulas
- 5 - Permisos / seguridades
- 6 - A disposición

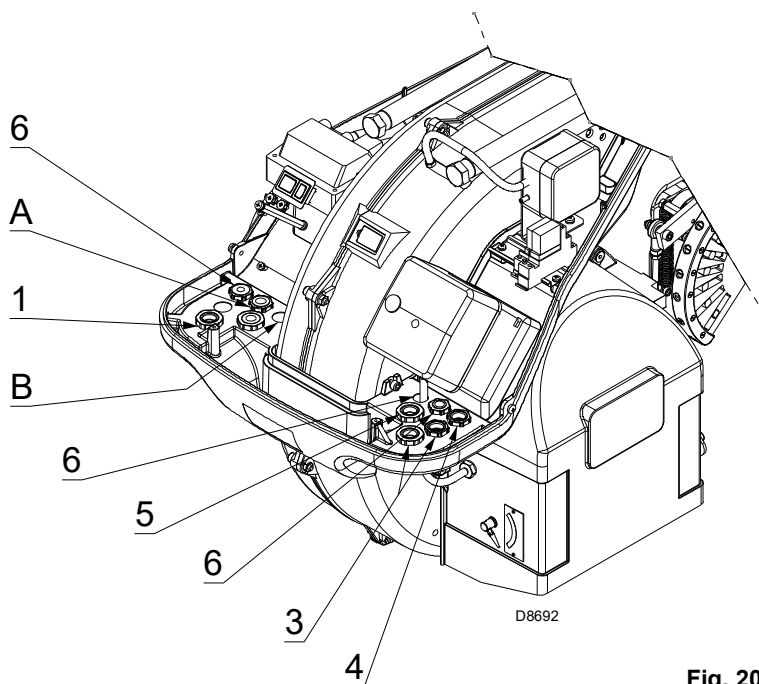


Fig. 20

4.10 Calibración del relé térmico

El relé térmico sirve para evitar daños en el motor por un fuerte aumento del consumo o debido a la ausencia de una fase.

Para la calibración, remitirse a la tabla reproducida en el esquema eléctrico n° 5 del Apéndice A.

Si el valor mínimo de la escala del relé térmico es superior al consumo en la placa del motor, la protección está igualmente asegurada.

Esto se verifica cuando la alimentación del motor es de 400V / 460V.

Para desbloquear, en caso de intervenir el relé térmico, presionar el pulsador 1) de la Fig. 21.

Tensión 3 ~ 400 / 230V - 50Hz

Los modelos RS 70-100-130/M salen de fábrica previstos para una alimentación eléctrica a **400 V**.

Si la alimentación es a **230 V**, cambiar las conexiones del motor (de estrella a triángulo) y la calibración del relé térmico.

Tensión 3 ~ 460-480 / 230V - 60Hz

Los modelos RS 70-100-130/M salen de fábrica previstos para una alimentación eléctrica a **380-460V**.

Si la alimentación es a **208-230V**, cambiar las conexiones del motor (de estrella a triángulo) y la calibración del relé térmico.

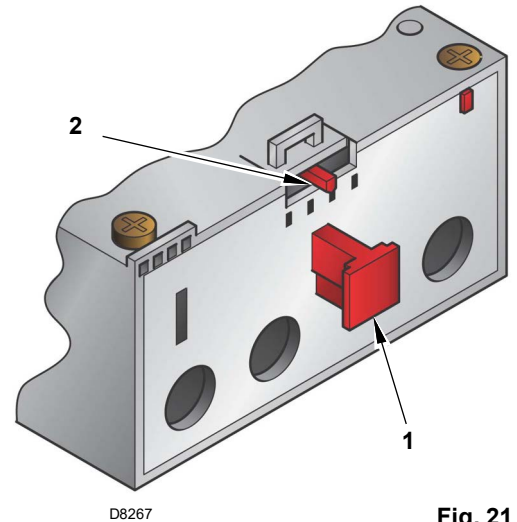


Fig. 21

5.1 Notas sobre la seguridad para la primera puesta en funcionamiento



ATENCIÓN

La primera puesta en funcionamiento del quemador debe ser realizada por personal habilitado según todo lo indicado en el presente manual y en conformidad con las normas y disposiciones de ley vigentes.



ATENCIÓN

Comprobar el correcto funcionamiento de los dispositivos de regulación, mando y seguridad.

Antes la primera puesta en funcionamiento del quemador, consulte el párrafo “Prueba de seguridad – con alimentación gas cerrada” en la pág. 26.

5.2 Operaciones antes de la puesta en funcionamiento

- Asegurarse de que la empresa proveedora de gas haya realizado las operaciones de purgado de la línea de alimentación, eliminando el aire o los gases inertes presentes en las tuberías.
- Abrir lentamente las válvulas manuales antepuestas a la rampa del gas.
- Regular el presostato gas de mínima (Fig. 22) en el inicio de la escala.
- Regular el presostato gas de máxima (Fig. 23) al final de la escala.
- Regular el presostato aire (Fig. 24) en el inicio de la escala.

Presostato gas de mínima

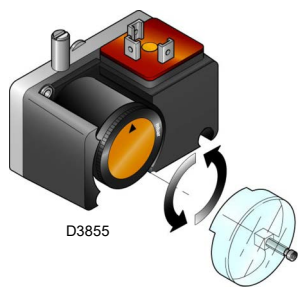


Fig. 22

Presostato gas de máxima

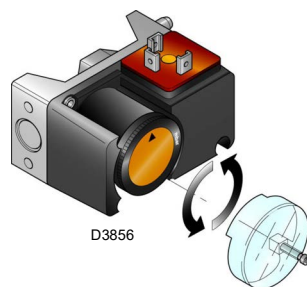


Fig. 23

Presostato aire



Fig. 24

- Controlar la presión de la alimentación de gas conectando un manómetro en la toma de presión 1)(Fig. 25) del presostato gas de mínima: debe ser inferior a la presión máxima permitida de la rampa de gas, que figura en la placa de características.



PELIGRO

Una excesiva presión del gas puede dañar los componentes de la rampa de gas y causar peligro de explosión.

- Purgar el aire de la tubería de la rampa de gas conectando un tubo de plástico en la toma de presión 1)(Fig. 25) del presostato gas de mínima. Llevar hacia el exterior del edificio el tubo del purgado, hasta que se huela el gas.
- Conectar en paralelo con las dos electroválvulas de gas a dos lámparas o un tester para controlar el momento de la llegada de tensión. Esta operación no es necesaria si cada una de las electroválvulas va equipada de una luz piloto que señale la presencia de tensión eléctrica.

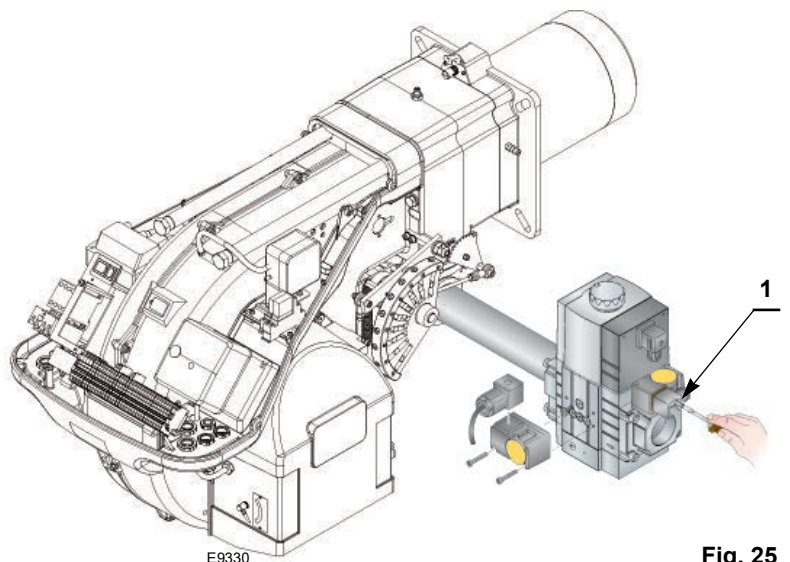


Fig. 25



ATENCIÓN

Antes de poner en marcha el quemador, es conveniente regular la rampa de gas de forma que el encendido se produzca en condiciones de máxima seguridad, es decir, con un pequeño caudal de gas.

5.3 Arranque del quemador

Alimentar con electricidad el quemador a través del seccionador del cuadro de la caldera.

Cerrar los termostatos/presostatos y poner el interruptor de la Fig. 27 en la posición "MAN".



PELIGRO

Verificar que las lámparas o el tester conectados a las electroválvulas, o las luces piloto de las propias electroválvulas, indiquen ausencia de tensión. Si señalan que hay tensión, parar **inmediatamente** el quemador y comprobar las conexiones eléctricas.

Tan pronto se arranca el quemador, controlar el sentido de giro de la turbina del ventilador desde el visor llama.

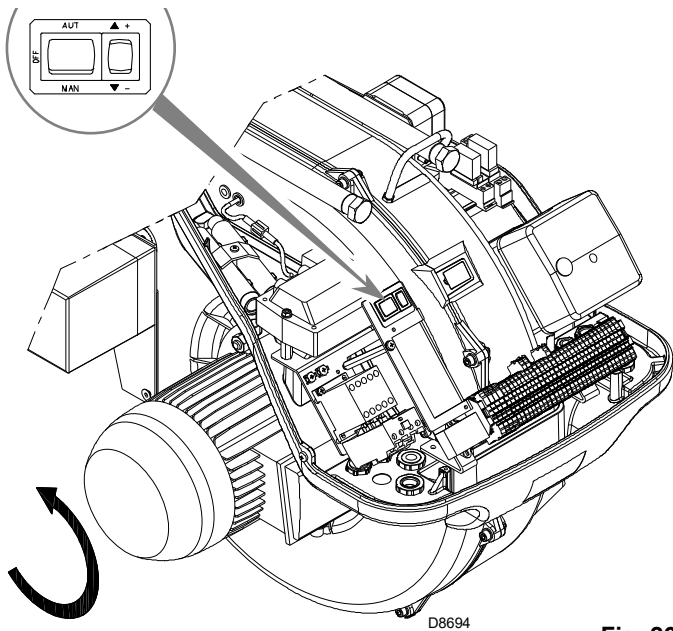


Fig. 26

5.4 Encendido del quemador

Después de haber efectuado las operaciones descritas en el apartado anterior, el quemador debe de encenderse. Si el motor arranca pero no aparece llama y la caja de control se bloquea, rearmarla y efectuar un nuevo intento de arranque. Si continúa sin encenderse, puede deberse a que el gas no llega al cabezal de combustión en el tiempo de seguridad de 3 s. En tal caso, aumentar el caudal de gas en el encendido. La llegada de gas al manguito puede observarse en el manómetro. Una vez efectuado el encendido, se procederá a la regulación completa del quemador.

5.5 Regulación del quemador

Para lograr una regulación óptima del quemador, es necesario efectuar un análisis de los gases de combustión en la base de la chimenea.

Hay que regular en secuencia:

- Potencia de encendido
- Potencia máxima
- Potencia mínima
- Potencias intermedias entre las dos
- Presostato aire
- Presostato gas de máxima
- Presostato gas de mínima

Potencia de encendido



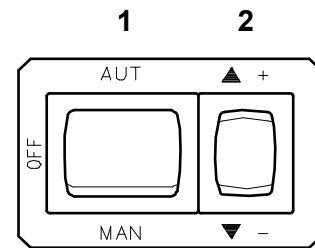
ATENCIÓN

En aras de la seguridad y del buen funcionamiento del producto, la potencia de encendido, si es regulable, debe ser ajustada por personal cualificado y de conformidad con las normas y disposiciones legales vigentes.

Potencia máxima

La potencia MÁX se elige dentro del campo de trabajo que se indica en la pág. 7. En la descripción anterior, hemos dejado el quemador encendido, funcionando a la potencia MÍN.

Apretar ahora el pulsador 2)(Fig. 27) "aumento de potencia" y mantenerlo apretado hasta que el servomotor haya abierto el registro del aire y la válvula de mariposa del gas.



D791

Fig. 27

Regulación del gas

Medir el caudal de gas en el contador.

A modo de orientación, puede obtenerse de la tabla de la pág. 38; es suficiente leer la presión del gas en el manómetro, ver Fig. 30 en la pág. 21, y seguir las indicaciones dadas en la pág. 38.

- Si es necesario reducirlo, disminuir la presión del gas a la salida y, si ya está al mínimo, cerrar un poco la electroválvula de regulación VR.
- Si es necesario aumentarla, incrementar la presión de gas a la salida del regulador.

Regulación del aire

Variar progresivamente el perfil final de la leva 4)(Fig. 28) mediante los tornillos 7).

- Para aumentar el caudal de aire, enroscar los tornillos.
- Para disminuir el caudal de aire, desenroscar los tornillos.

Potencia mínima

La potencia MÍN se elige dentro del campo de trabajo que se indica en la pág. 7.

Presionar el botón 2)(Fig. 27) "disminución de potencia" y mantenerlo apretado hasta que el servomotor haya cerrado el registro del aire y la válvula de mariposa del gas hasta 65° (ajuste de fábrica).

Regulación del gas

Medir el caudal de gas en el contador.

- Si es necesario disminuirlo, reducir un poco el ángulo de la leva III (Fig. 29) mediante cortos desplazamientos consecutivos, es decir, pasando del ángulo 65° a 63° - 61°....
- Si se desea aumentarlo, pulsar un poco el pulsador "aumento de potencia" 2)(Fig. 27) (abrir de 10-15° la válvula de mariposa del gas), aumentar el ángulo de la leva III (Fig. 29) mediante cortos desplazamientos consecutivos, es decir, pasando del ángulo de 65° a 67° - 69°.... Apretar después el botón "disminución de potencia" hasta situar el servomotor en la posición de mínima apertura y medir el caudal del gas.

NOTA

El servomotor sigue la regulación de la leva III sólo cuando se reduce el ángulo de la misma. Si es necesario aumentar el ángulo de la leva, primero se debe aumentar el ángulo del servomotor mediante la tecla "aumento de potencia", luego aumentar el ángulo de la leva III y por último llevar el servomotor a la posición de potencia MÍN con la tecla "disminución de potencia". Para la eventual regulación de la leva III, en particular para pequeños desplazamientos, es posible utilizar la llave 10).

Regulación del aire

Variar en progresión el perfil inicial de la leva 4) mediante los tornillos 5). Si es posible, no girar el primer tornillo, dado que es el que se utiliza para cerrar el registro del aire completamente.

Potencias intermedias**Regulación del gas**

No es necesaria ninguna regulación.

Regulación del aire

pulsar un poco el botón "aumento de potencia" 2)(Fig. 27) para que el servomotor gire aproximadamente 15°. Regular los tornillos hasta obtener una combustión óptima. Proceder del mismo modo con los demás tornillos. Prestar atención para que la variación del perfil de la leva sea progresiva.

Apagar el quemador mediante el interruptor 1)(Fig. 27), posición OFF, desbloquear la leva 4 del servomotor, presionando y desplazando hacia la derecha el pulsador 3), y comprobar varias veces, haciendo girar con la mano la leva 4) hacia adelante y hacia atrás, que el movimiento sea suave y sin atascos. Fijar nuevamente la leva 4) al servomotor desplazando hacia la izquierda el pulsador 2).

En lo posible prestar atención para no desplazar los tornillos de los extremos de la leva, regulados anteriormente para la abertura del registro del aire a la potencia MÁX y MÍN.

Terminada la regulación, fijar la misma mediante los tornillos 6)(A).

NOTA

Una vez terminada la regulación de las potencias "MÁX - MÍN - INTERMEDIAS", volver a controlar el encendido: debe producirse un ruido parecido al de funcionamiento sucesivo. Si se

observan pulsaciones, reducir el caudal de encendido.

- 1 Servomotor
- 2 Servomotor 1) - leva 4): vinculados
- 3 Servomotor 1) - leva 4): desvinculados
- 4 Leva de perfil variable
- 5 Tornillos de regulación del perfil inicial
- 6 Tornillos de fijación regulación
- 7 Tornillos de regulación del perfil final
- 8 Sector graduado válvula de mariposa gas
- 9 Índice del sector graduado 8)
- 10 Llave para la regulación de la leva III

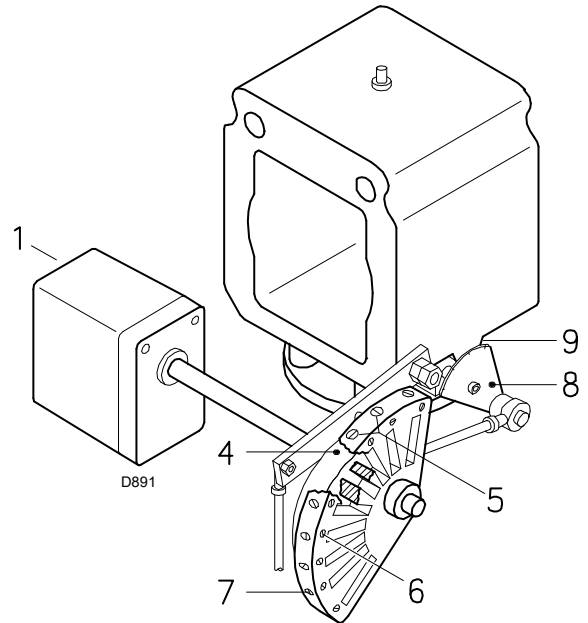


Fig. 28

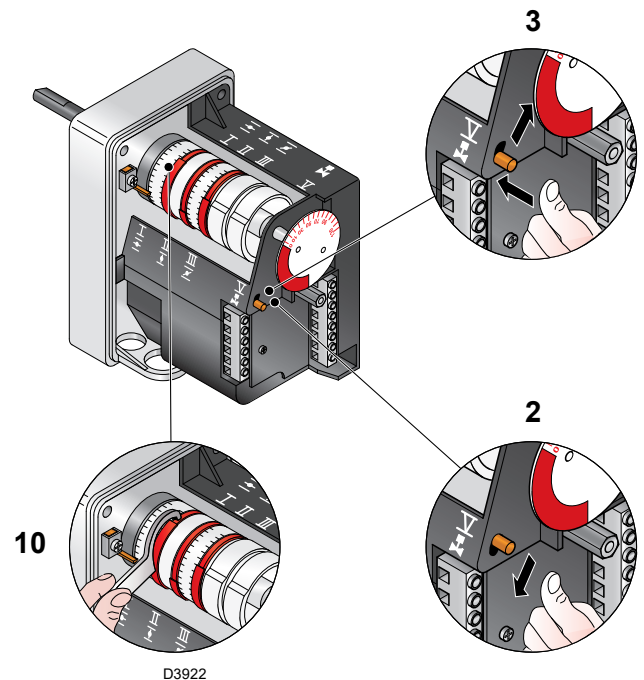


Fig. 29

Presostato aire

Regular el presostato aire, después de haber efectuado todas las demás regulaciones del quemador, con el presostato aire ajustado al inicio de la escala (Fig. 30).

Con el quemador funcionando a la potencia MÍN, introduzca en la chimenea un analizador de la combustión, cierre lentamente la boca de aspiración del ventilador (por ejemplo con un cartón) hasta que el valor de CO no supere los 100 ppm.

Después gire lentamente la maneta en el sentido de las agujas de reloj hasta que el quemador se bloquee.

A continuación, controle que la flecha indique hacia arriba en la escala graduada. Girar nuevamente el botón en el sentido de las agujas del reloj hasta hacer coincidir el valor indicado en la escala graduada con la flecha indicando hacia abajo, se recupera así la histéresis del presostato representada por el campo blanco sobre fondo azul comprendido entre las dos flechas.

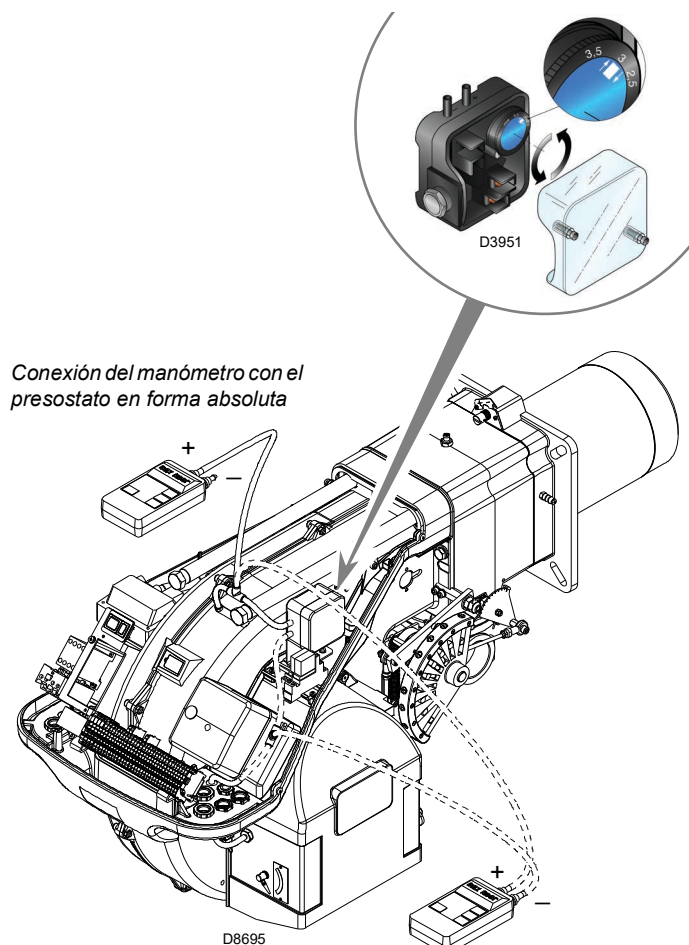
Controle ahora el correcto arranque del quemador.

Si el quemador se bloquea de nuevo, girar el botón un poco más, en sentido contrario a las agujas del reloj.

Durante estas operaciones puede ser útil utilizar un manómetro para medir la presión del aire.

La conexión del manómetro se muestra en la Fig. 30.

La configuración estándar es la del presostato aire conectado en forma absoluta. Nótese la presencia de una conexión en "T" no suministrada. En algunas aplicaciones con fuerte depresión la conexión del presostato no permite al mismo la conmutación. En dicho caso es necesario conectar el presostato en modo diferencial, aplicando un segundo tubo entre el presostato aire y la boca de aspiración del ventilador. En este caso también el manómetro se debe conectar en forma diferencial, como se muestra en la Fig. 30.



Conexión del manómetro con el presostato en forma absoluta

Conexión del manómetro con el presostato en forma diferencial

Fig. 30

Presostato gas de máxima

Después de haber efectuado todas las demás regulaciones del quemador, con el presostato gas de máxima regulado al final de la escala, efectuar la regulación del presostato gas de máxima, (Fig. 35). Para calibrar el presostato gas de máxima, conectar un manómetro a su toma de presión, después de haber abierto su grifo. El presostato gas de máxima se debe regular a un valor no superior al 30% de la medida leída en el manómetro con el quemador funcionando a la potencia máxima. Después de efectuar la regulación, quitar el manómetro y cerrar el grifo.

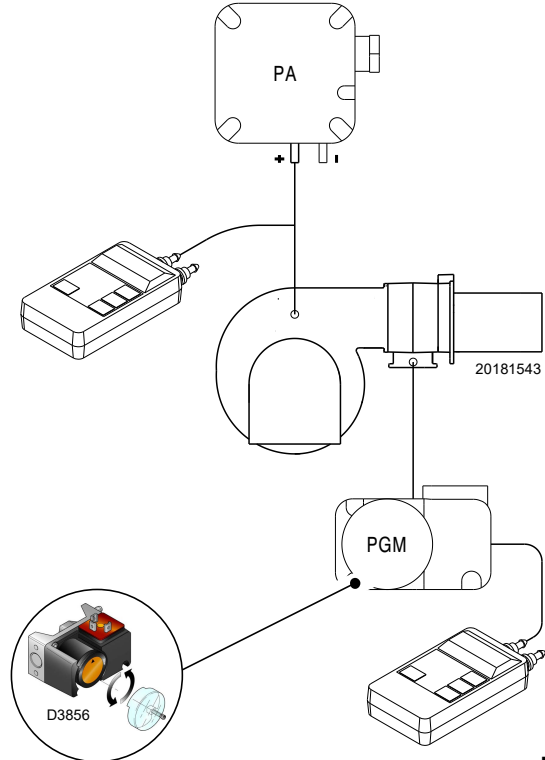


Fig. 31

Presostato gas de mínima

El objetivo del presostato de la mínima presión de gas es evitar que el quemador funcione de forma inadecuada debido a una presión de gas demasiado baja. Realizar el ajuste del presostato gas de mínima (Fig. 36) después de ajustar el quemador, las válvulas de gas y el estabilizador de la rampa.

Con el quemador funcionando a la potencia máxima:

- instalar un manómetro después del estabilizador de la rampa (por ejemplo, en la toma de presión de gas al cabezal de combustión del quemador);
- ajustar lentamente el grifo manual del gas hasta que el manómetro indique una disminución de la presión de aproximadamente 0,1 kPa (1 mbar). En esta fase, controlar el valor de CO que debe ser siempre inferior a 100 mg/kWh (93 ppm).
- Aumentar el ajuste del presostato hasta que se dispare, haciendo que el quemador se apague;
- quitar el manómetro y cerrar el grifo de la toma de presión utilizada para la medición;
- abrir completamente el grifo manual del gas.

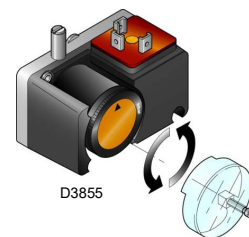


Fig. 32



1 kPa = 10 mbar

ATENCIÓN

5.6 Secuencia de funcionamiento del quemador

Arranque del quemador

- 0s: Cierre TL.
- 5s: Arranca el programa de la caja de control eléctrica. El servomotor arranca: gira 130° hacia la derecha, es decir, hasta la intervención del contacto en la leva (Fig. 7).
- 35s: El registro de aire llega a la posición de potencia MÁX. Arranque motor ventilador. Comienza la fase de preventilación.
- 75s: El servomotor gira hacia la izquierda hasta el ángulo configurado en la leva III (Fig. 7) para la MÍN potencia.
- 95s: El registro de aire y la mariposa del gas se sitúan en la potencia MÍN (con leva III, Fig. 7 a 65°).
- 105s: Se genera chispa en el electrodo de encendido. Se abren las electroválvulas de seguridad VS y de regulación VR, apertura rápida. Se enciende la llama, con poca potencia, punto A. Sigue un progresivo aumento de la potencia, apertura lenta de la electroválvula VR, hasta la potencia MÍN, punto B.
- 108s: Cesa la chispa.
- 115s: Termina el ciclo de arranque.

ENCENDIDO NORMAL

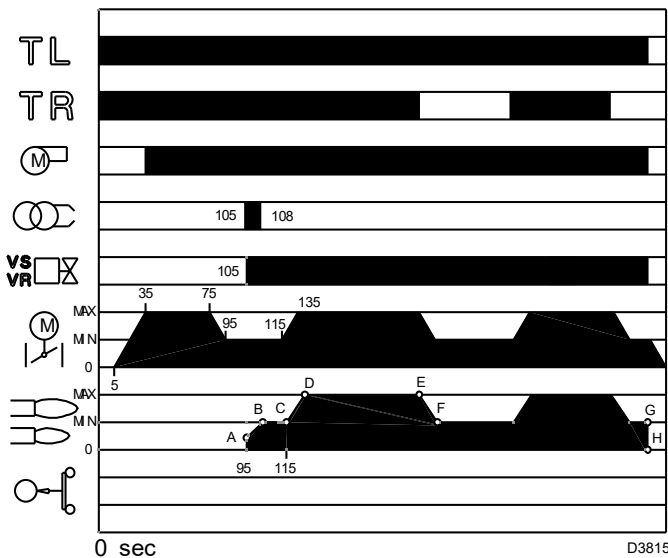


Fig. 33

Funcionamiento a régimen

Quemador sin el kit para funcionamiento modulante

Una vez terminado el ciclo de arranque, el mando del servomotor pasa al TR que controla la presión o la temperatura en la caldera, punto C.

(De todas formas, la caja de control eléctrica sigue controlando la presencia de la llama y la correcta posición de los presostatos de aire y gas de máxima).

- Si la temperatura o la presión es baja y en consecuencia el TR está cerrado, el quemador aumenta progresivamente la potencia hasta el valor MÁX (segmento C-D).
- Si luego la temperatura o la presión aumenta hasta la apertura del termostato TR, el quemador reduce progresivamente la potencia hasta el valor MÍN (segmento E-F). Y así sucesivamente.

- La parada del quemador se produce cuando la solicitud de calor es inferior a la generada por el quemador a la potencia MÍN segmento G-H. El TL se abre, el servomotor vuelve al ángulo 0°. El registro se cierra completamente para reducir las pérdidas de calor al mínimo.

Quemador con el kit para funcionamiento modulante

Ver el manual de Instrucciones que acompaña al regulador.

Falta de encendido

Si el quemador no se enciende bloquea en 3 s la alimentación eléctrica de la válvula gas.

Puede ser que el gas no llegue al cabezal de combustión dentro del tiempo de seguridad de 3 s.

En tal caso, aumentar el caudal de gas en el encendido.

La llegada del gas al manguito se evidencia en el manómetro de la Fig. 36.

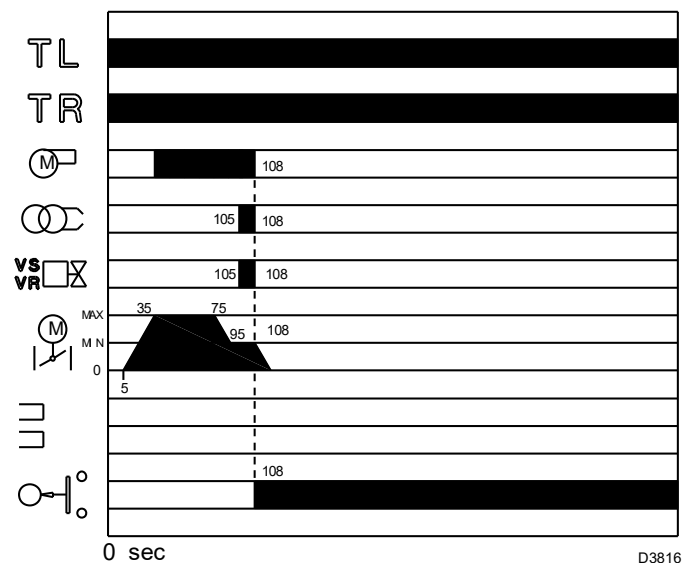


Fig. 34

5.7 Apagado del quemador en funcionamiento

Si la llama se apaga durante el funcionamiento, el quemador se bloquea en 1 segundo.

5.8 Parada del quemador

La parada del quemador puede realizarse:

- interviniendo con el seccionador de la línea de alimentación eléctrica situado en el cuadro de la caldera;
- retirando la tapa y accionando el interruptor "AUT/MAN" de Fig. 27.



En caso de parada del quemador, para evitar daños en la instalación, no desbloquear el quemador más de dos veces seguidas. Si el quemador se bloquea por tercera vez, contactar con el servicio de asistencia.

Si se produjeran otros bloqueos o anomalías en el quemador, las intervenciones deben ser realizadas únicamente por personal habilitado y autorizado, de acuerdo a lo indicado en este manual y en conformidad con las normas y disposiciones de ley vigentes.

5.9 Medición de la corriente de ionización

El quemador está dotado de un sistema de ionización para controlar la presencia de la llama. La corriente mínima para el funcionamiento de la caja de control es de 6 μ A.

El quemador genera una corriente netamente superior, no precisando normalmente ningún control.

Si, de todas formas, se quisiera medir la corriente de ionización hay que desconectar la clavija-toma (2)(Fig. 35) colocada en el cable de la sonda de ionización e introducir un microamperímetro 1)(Fig. 35) para corriente continua de 100 μ A final de la escala.

¡Atención a la polaridad!

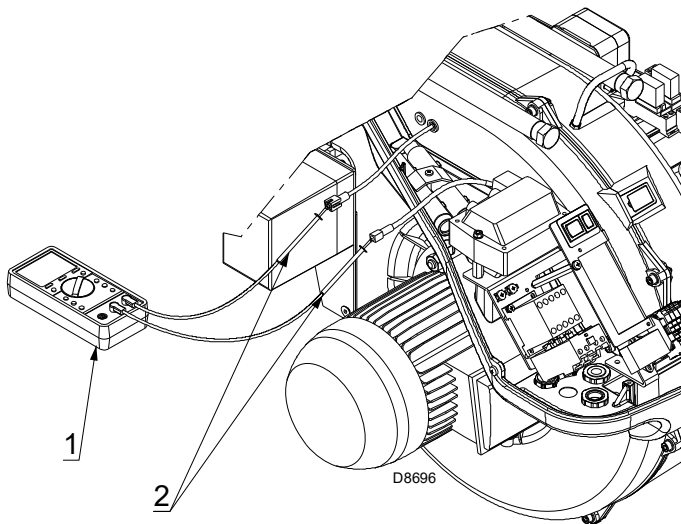


Fig. 35

5.10 Control de la presión del aire y del gas en el cabezal de combustión

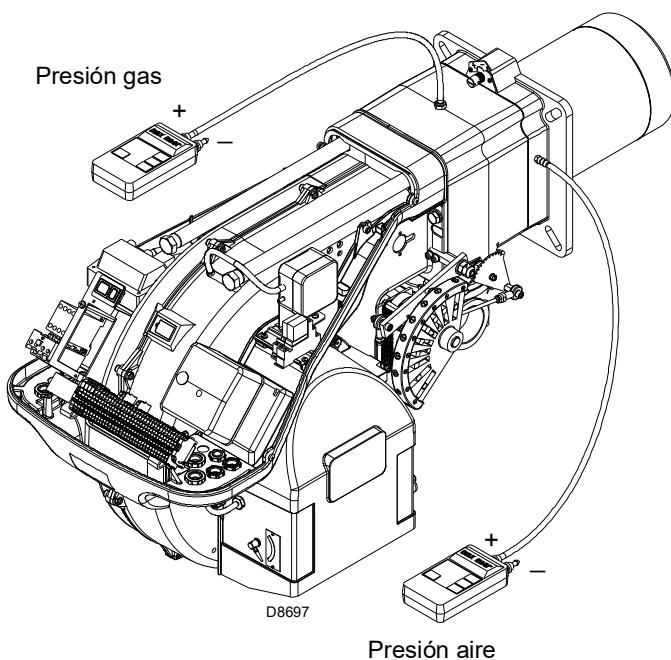


Fig. 36

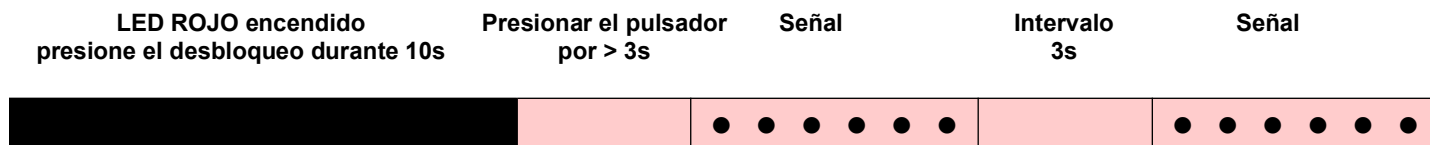
5.11 Controles finales (con el quemador funcionando)

- Abrir el termostato/presostato TL:
- Abrir el termostato/presostato TS:
el quemador debe pararse
- Girar el botón del presostato gas de máxima hasta la posición de final de escala mínimo.
- Girar el botón del presostato aire hasta la posición de final de escala máximo.
el quemador debe bloquearse
- Apagar el quemador y cortar la tensión.
- Desconectar el conector del presostato gas de mínima.
el quemador no debe arrancar
- Desconectar el cable de la sonda de ionización.
el quemador debe bloquearse por falta de encendido
- Comprobar que los bloqueos mecánicos de los dispositivos de regulación estén bien apretados.

La caja de control tiene su propia función diagnóstica mediante la cual es posible detectar fácilmente las posibles causas de mal funcionamiento (señalización: **LED ROJO**).

Para utilizar tal función, hay que esperar al menos 10 segundos desde el instante de bloqueo de la caja de control y presionar el pulsador de desbloqueo durante un tiempo mínimo de 3 segundos.

Después de haber soltado el botón, el LED ROJO comenzará a parpadear, como ilustra la siguiente imagen.



Los impulsos del LED aparecen con intervalos de aproximadamente 3 segundos.

La cantidad de impulsos dará la información sobre las posibles averías según la siguiente tabla.

SEÑAL	ANOMALÍA	CAUSA PROBABLE	SOLUCIÓN
2 parpadeos ● ●	Superado el pre-ventilación y el tiempo de seguridad, el quemador se bloquea sin aparecer la llama	1 - La electroválvula de funcionamiento deja pasar poco gas 2 - Una de las dos electroválvulas no se abre. 3 - Presión gas demasiado baja 4 - Electrodo de encendido mal regulado 5 - Electrodo a masa para aislante roto. 6 - Cable de alta tensión defectuoso 7 - Cable de alta tensión deformado por la alta temperatura 8 - Transformador de encendido defectuoso 9 - Conexión eléctrico válvulas o transformador de encendido incorrecto 10 - Caja de control defectuosa. 11 - Una válvula antes de la rampa de gas, cerrada. 12 - Aire en las tuberías 13 - Válvulas de gas no conectadas o con bobina interrumpida	Aumentarlo Sustituirlas Aumentarla en el regulador Regularlo, véase Fig. 12 Sustituirlo Sustituirlo Sustituirlo y protegerlo Sustituirlo Rehacer las conexiones Sustituirla Abrirla Purgarlo Verificar el conexionado o sustituir bobina
3 parpadeos ● ● ●	El quemador no arranca y aparece el bloqueo	14 - Presostato aire en posición de funcionamiento	Regularlo o sustituirlo
	El quemador arranca y luego se bloquea	El presostato aire no conmuta por presión aire insuficiente: 15 - Presostato aire mal regulado 16 - Tubo toma presión del presostato obstruido 17 - Cabezal mal regulado 18 - Alta presión en cámara combustión	Regularlo o sustituirlo Limpiarlo Regularlo Conectar presostato aire a la aspir. ventil
	Bloqueo durante la pre-ventilación	19 - Contactor mando motor defectuoso (sólo versión trifásica) 20 - Motor eléctrico defectuoso 21 - Bloqueo motor (sólo versión trifásica)	Sustituirlo Sustituirlo Sustituirlo
4 parpadeos ● ● ● ●	El quemador arranca y luego se bloquea	22 - Simulación de llama	Sustituir la caja de control
	Bloqueo al pararse el quemador	23 - Permanencia de la llama en el cabezal de combustión o simulación de llama	Eliminar permanencia de llama o sustituir la caja de control
6 parpadeos ● ● ● ● ● ●	El quemador arranca y luego se bloquea	24 - Servomotor defectuoso o mal regulado	Sustituirlo o regularlo
7 parpadeos ● ● ● ● ● ● ●	El quemador se bloquea al aparecer la llama	25 - La electroválvula de funcionamiento deja pasar poco gas 26 - Sonda de ionización mal regulada 27 - Ionización insuficiente (inferior a 5 µA) 28 - Sonda a masa 29 - Insuficiente puesta a tierra del quemador 30 - Fase y neutro invertidos 31 - Avería del circuito de detección llama	Aumentarlo Regularla, véase Fig. 12 Controlar posición sonda Separarla o sustituir cable Revisar la puesta a tierra Invertir Sustituir caja de control
	Bloqueo del quemador en el paso entre potencia mínima y máxima y viceversa	32 - Demasiado aire o poco gas	Regular el aire y el gas
	En funcionamiento, el quemador se bloquea	33 - Sonda o cable ionización a masa.	Sustituir la(s) pieza(s) deteriorada(s)
10 parpadeos ● ● ● ● ● ● ● ● ● ●	El quemador no arranca y aparece el bloqueo	34 - Conexiones eléctricas incorrectas	Comprobarlas

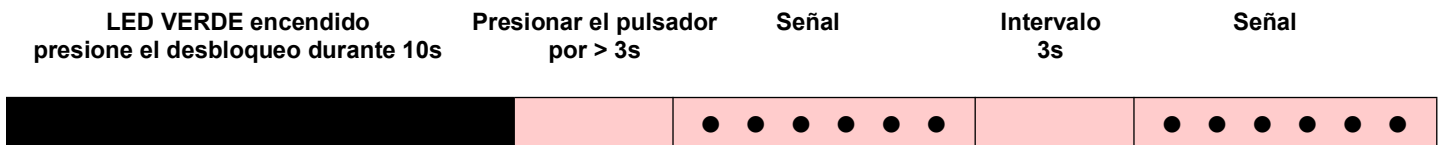
SEÑAL	ANOMALÍA	CAUSA PROBABLE	SOLUCIÓN
	El quemador se bloquea	35 - Caja de control defectuosa 36 - Presencia de perturbaciones electromagnéticas . . . en las líneas termostato 37 - Presencia de perturbaciones electromagnéticas . . .	Sustituirla Filtrarlas o eliminarlas Utilizar el kit protección contra las interferencias radio
Ningún parpadeo	El quemador no arranca	38 - Falta tensión eléctrica 39 - Un telemando de límite o de seguridad abierto 40 - Fusible de línea fundido 41 - Caja de control defectuosa 42 - Falta de gas 43 - Presión gas en red insuficiente 44 - El presostato gas de mínima no cierra 45 - Servomotor no va a la posición de mín. encendido . .	Cerrar interruptores; comprobar conexiones Regularlo o sustituirlo Sustituirlo Sustituirla Abrir válvulas manuales entre contador y rampa Contacte con la COMPAÑÍA DE GAS Regularlo o sustituirlo Sustituirlo
	El quemador repite el ciclo de arranque sin bloquearse	46 - La presión de gas en la red está cercana al valor . . . del presostato gas de mínima al que está regulado . . . el presostato gas de mín La caída de presión repentina que sigue a la apertura de la válvula provoca la apertura temporal del propio presostato, inmediatamente la válvula se cierra y se detiene el quemador. La presión vuelve a aumentar, el presostato se cierra hace que el ciclo de arranque vuelva a comenzar Y así sucesivamente.	Reducir la presión de intervención presostato gas de mínima Sustituir el cartucho del filtro gas
	Encendidos con pulsaciones	47 - Cabezal mal regulado 48 - Electrodo de encendido mal regulado 49 - Registro ventilador mal regulado; demasiado aire . . . 50 - Potencia de encendido demasiado elevada	Regularlo; ver Fig. 15 Regularlo, véase Fig. 12 Regularlo Reducirla
	El quemador no alcanza la potencia máxima	51 - Telemando TR no cierra 52 - Caja de control defectuosa 53 - Servomotor defectuoso	Regularlo o sustituirlo Sustituirla Sustituirlo
	El quemador se detiene con el registro vent. abierto	54 - Servomotor defectuoso	Sustituirlo

6.1 Funcionamiento normal / tiempo de detección llama

La caja de control tiene una función ulterior mediante la que es posible asegurarse del correcto funcionamiento del quemador (señal: **LED VERDE** permanentemente encendido).

Para utilizar tal función, hay que esperar al menos 10 segundos desde el instante de encendido del quemador y presionar el pulsador de la caja de control durante un tiempo mínimo de 3 segundos.

Después de haber soltado el botón, el LED VERDE comenzará a parpadear, como ilustra la siguiente imagen.



Los impulsos del LED aparecen con intervalos de aproximadamente 3 segundos.

El número de impulsos determinará el TIEMPO DE DETECCIÓN de la sonda desde la apertura de las válvulas gas, según la siguiente tabla.

SEÑAL	TIEMPO DE DETECCIÓN LLAMA
1 parpadeo ●	0,4 s
2 parpadeos ● ●	0,8 s
6 parpadeos ● ● ● ● ● ●	2,8 s

A cada arranque del quemador, se actualiza este dato.

Una vez realizada la lectura, apretando brevemente el pulsador de la caja de control, el quemador repite el ciclo de arranque.

ATENCIÓN

Si resulta un tiempo > 2 s se tiene el encendido retrasado.

Controle la regulación del freno hidráulico en la válvula gas y la regulación registro de aire y cabezal de combustión.

7.1 Notas sobre la seguridad para el mantenimiento

El mantenimiento periódico es fundamental para el buen funcionamiento, la seguridad, el rendimiento y la duración del quemador.

El mismo permite reducir los consumos, las emisiones contaminantes y mantener el producto confiable a través del tiempo.



Las intervenciones de mantenimiento y la calibración del quemador deben ser realizadas por personal habilitado y autorizado según todo lo indicado en el presente manual y en conformidad con las normas y disposiciones de ley vigentes.

Antes de realizar cualquier operación de mantenimiento, limpieza o control:



cortar la alimentación eléctrica del quemador con el interruptor general de la instalación;



cerrar la válvula de interceptación del combustible;

7.2 Programa de mantenimiento

Frecuencia del mantenimiento

La instalación de combustión de gas debe ser controladas **por lo menos una vez al año** por un encargado de la empresa fabricante o por otro técnico especializado.

Prueba de seguridad – con alimentación gas cerrada

Para la puesta en funcionamiento en condiciones de seguridad es muy importante comprobar la correcta ejecución de las conexiones eléctricas entre las válvulas del gas y el quemador.

Para ello, después de haber comprobado que las conexiones han sido realizadas en conformidad con los esquemas eléctricos del quemador, se debe realizar un ciclo de encendido con el grifo gas cerrado (dry test).

- 1 La válvula manual del gas debe estar cerrada con dispositivo de bloqueo/desbloqueo (Procedimiento "lock out/tag out").
- 2 Asegurar el cierre de los contactos eléctricos límite del quemador
- 3 Asegurar el cierre del contacto del presostato gas mínimo
- 4 Efectuar una tentativa de encendido del quemador

El ciclo de encendido se deberá realizar según las siguientes fases:

- Encendido del motor del ventilador para la pre-ventilación
- Ejecución del control de estanqueidad válvulas gas, si está previsto.
- Completamiento de la pre-ventilación
- Alcance del punto de encendido
- Alimentación del transformador de encendido
- Alimentación de las válvulas del gas

Con el gas cerrado, el quemador no podrá encenderse y su caja de control se posicionará en condición de parada o bloqueo de seguridad.

La alimentación efectiva de las válvulas del gas se podrá comprobar con la introducción de un multímetro; algunas válvulas están dotadas de señales luminosas (o indicadores de posición cierre/apertura) que se activan en el momento de su alimentación eléctrica.



EN CASO DE QUE LA ALIMENTACIÓN ELÉCTRICA DE LAS VÁLVULAS DEL GAS SE PRODUZCA EN MOMENTOS NO PREVISTOS, NO ABRIR LA VÁLVULA MANUAL, INTERRUMPIR LA ALIMENTACIÓN ELÉCTRICA, COMPROBAR LOS CABLEADOS; CORREGIR LOS ERRORES Y REALIZAR NUEVAMENTE TODA LA PRUEBA.

Control y limpieza

Combustión

Efectuar el análisis de los gases de combustión que salen de la caldera. Las diferencias significativas respecto al último análisis indicarán los puntos donde deberán centrarse las operaciones de mantenimiento.

Fugas de gas

Comprobar que no haya fugas de gas en el conducto contador-quemador.

Filtro de gas

Sustituir el cartucho filtrante cuando esté sucio.

Visor llama

Limpiar el cristal del visor de la llama, (Fig. 37).

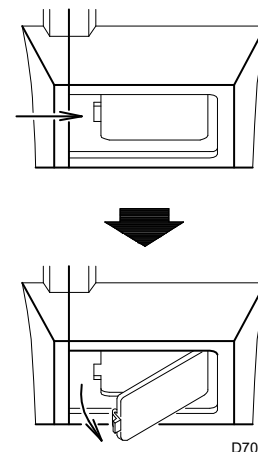


Fig. 37

D709

Cabezal de combustión

Abrir el quemador y verificar que todas las partes del cabezal de combustión estén:

- completas;
- no deformadas por la alta temperatura;
- sin impurezas provenientes del ambiente;
- sin corrosión de los materiales componentes;
- correctamente posicionadas.

Asegurarse de que los orificios de salida del gas para la fase de encendido en el distribuidor del cabezal de combustión, no presenten impurezas o depósitos de herrumbre.

En caso de dudas, desmontar el codo 5)(Fig. 38).

Servomotor

Desbloquear la leva 4)(Fig. 28) del servomotor, presionando y desplazando el pulsador 3)(Fig. 29), hacia la derecha y controlar manualmente que su rotación, hacia adelante y atrás, se efectúe con facilidad. Vincular nuevamente la leva desplazando hacia la izquierda el pulsador 2)(Fig. 28).

Quemador

Verificar que no haya un desgaste anormal o tornillos flojos en los mecanismos que controlan el registro del aire y la válvula de mariposa del gas. Igualmente, los tornillos que fijan los cables eléctricos en la regleta del quemador deben estar bien apretados.

Limpiar exteriormente el quemador, en particular las rótulas y la leva 4)(Fig. 28).

Combustión

Regular el quemador si los valores de la combustión obtenidos al inicio de la intervención no cumplen las normas en vigor o no corresponden a una buena combustión.

Anotar en una ficha de control los nuevos valores de la combustión; serán útiles para controles sucesivos.

Componentes de seguridad

Los componentes de seguridad se deben sustituir según la finalización del ciclo de vida indicado en la tabla. Los ciclos de vida especificados no se refieren a los términos de garantía indicados en las condiciones de entrega o de pago.

Componente de seguridad	Ciclo de vida
Control llama	10 años o 250.000 ciclos de funcionamiento
Sensor llama	10 años o 250.000 ciclos de funcionamiento
Válvulas gas (tipo solenoide)	10 años o 250.000 ciclos de funcionamiento
Presostatos	10 años o 250.000 ciclos de funcionamiento
Regulador de presión	15 años
Servomotor (leva electrónica) (se la hay)	10 años o 250.000 ciclos de funcionamiento
Válvula aceite (tipo solenoide) (si la hay)	10 años o 250.000 ciclos de funcionamiento
Regulador aceite (si lo hay)	10 años o 250.000 ciclos de funcionamiento
Tubos/ racores aceite (metálicos) (si los hay)	10 años
Turbina ventilador	10 años o 500.000 arranques

7.3 Apertura del quemador

- Cortar la alimentación eléctrica del quemador.
- Aflojar los tornillos 1)(Fig. 38) y sacar la tapa 2).
- Soltar la rótula 7) del sector graduado 8).
- Montar los dos alargadores en las guías 4).
- Quitar los tornillos 3) y hacer retroceder el quemador unos 100 mm sobre las guías 4). Desconectar los cables de la sonda y del electrodo y desplazar todo el quemador.

En este punto es posible extraer el distribuidor de gas 5), después de haber desenroscado el tornillo 6).

7.4 Cierre del quemador

- Empujar el quemador hasta aproximadamente 100 mm del manguito.
- Volver a conectar los cables y hacer desplazar el quemador hasta el tope.
- Volver a colocar los tornillos 3) y tirar suavemente hacia afuera los cables de sonda y electrodo, hasta tensarlos ligeramente.
- Volver a enganchar la rótula 7) en el sector graduado 8).
- Desmontar los dos alargadores de las guías 4).

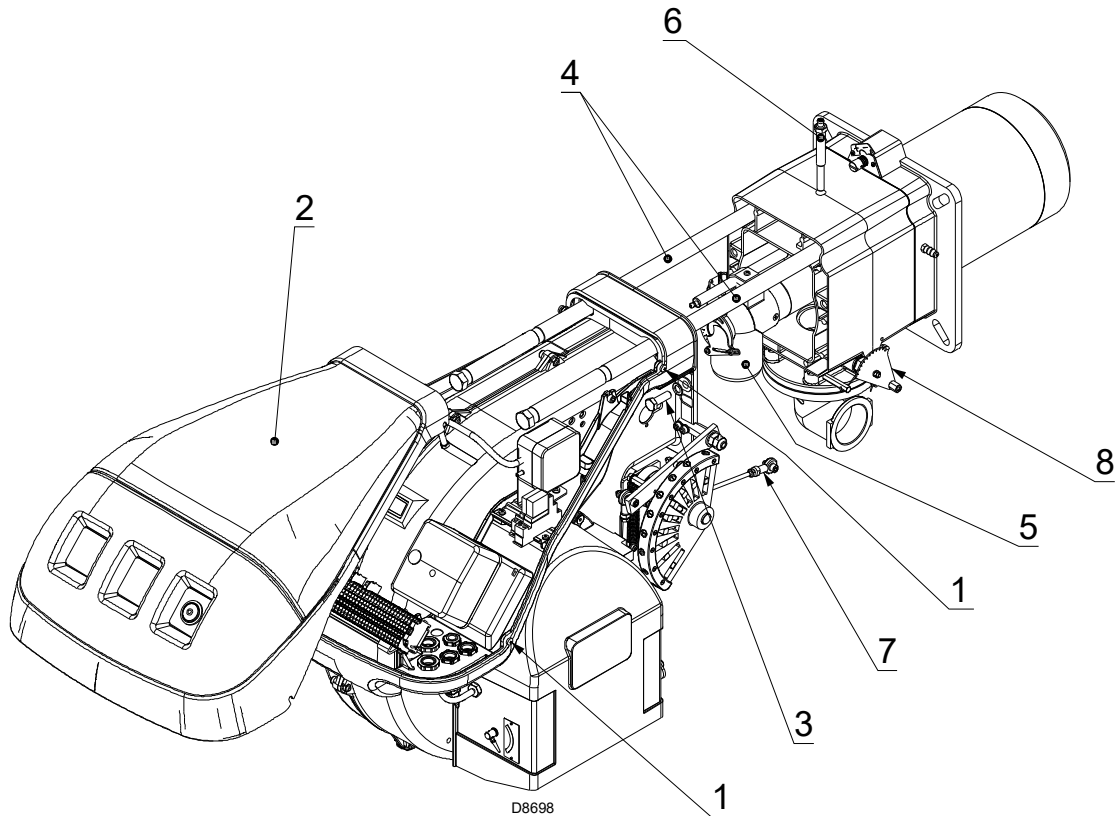
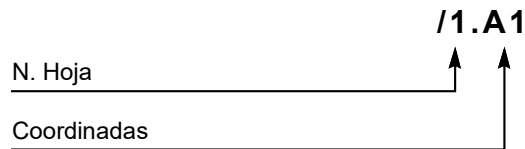


Fig. 38

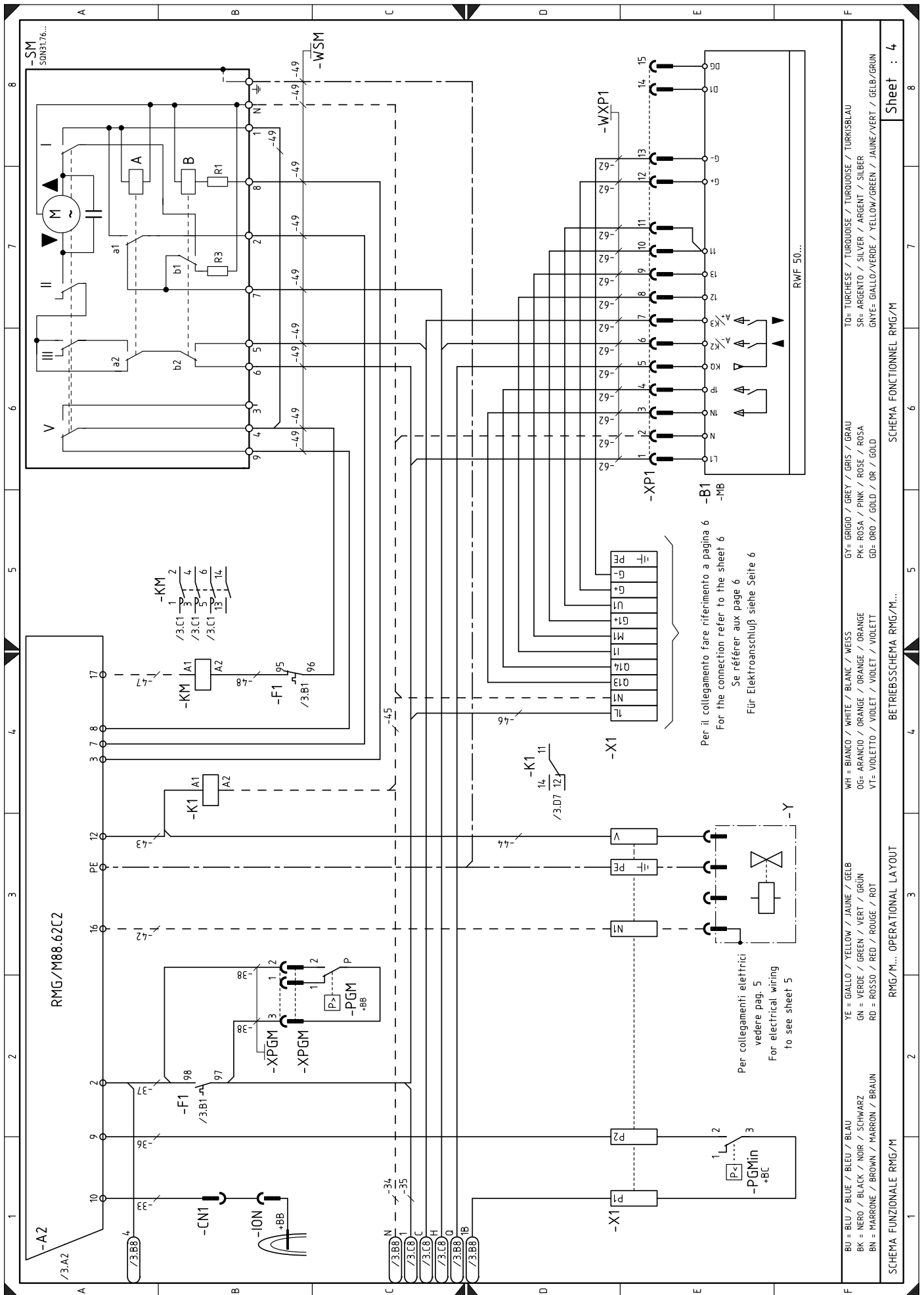
1	Índice esquemas
2	Indicación referencias
3	Esquema funcional RMG/M
4	Esquema funcional RMG/M
5	Conexiones eléctricas a cargo del instalador (50 Hz)
6	Conexiones eléctricas a cargo del instalador (60 Hz)
7	Esquema funcional RWF50...

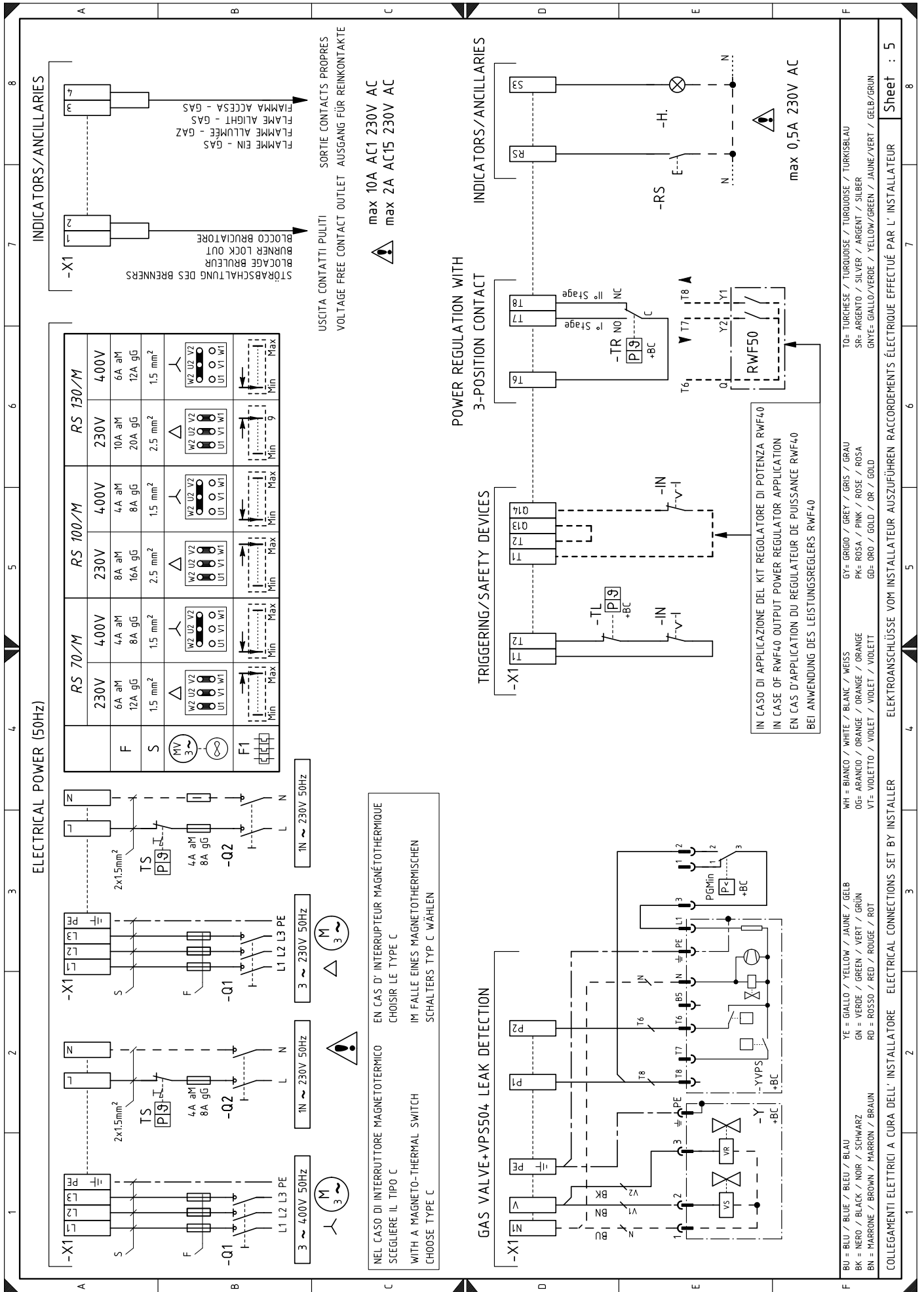
2 Indicación referencias

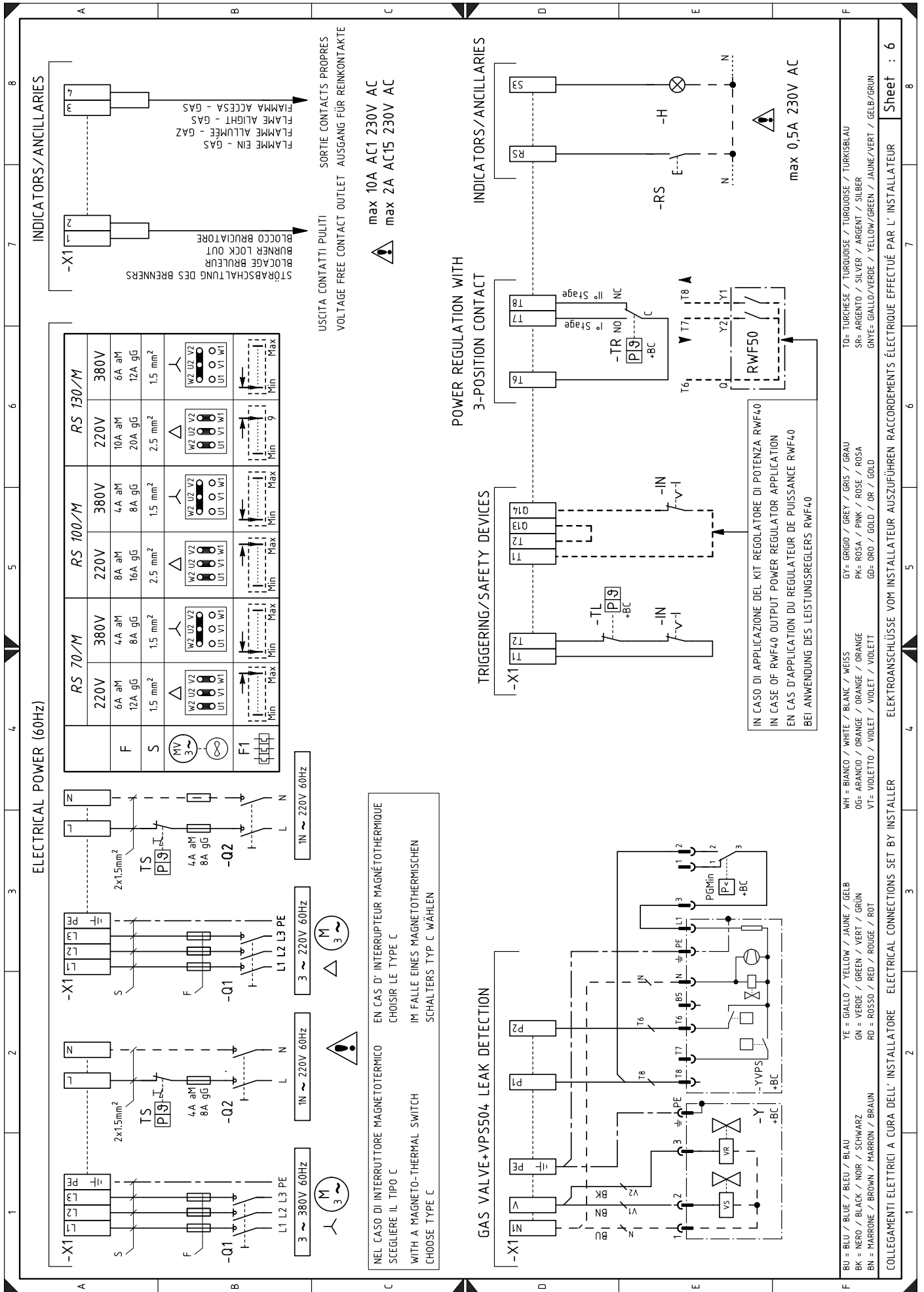


Leyenda esquemas eléctricos

A	- Caja de control	K2	- Relé salida contactos pulidos bloqueo quemador
B	- Filtro antiinterferencias	KM	- Contactor motor
B1	- Regulador de potencia RWF	MV	- Motor ventilador
BA	- Entrada con corriente DC 4...20 mA	PA	- Presostato aire
BA1	- Entrada con corriente DC 4...20 mA para modificación de setpoint remoto	PE	- Tierra quemador
BP	- Sonda de presión	PGMin	- Presostato gas de mínima
BP1	- Sonda de presión	PGM	- Presostato gas de máxima
BR	- Potenciómetro setpoint remoto	Q1	- Interruptor seccionador trifásico
BT1	- Sonda termopar	Q2	- Interruptor seccionador monofásico
BT2	- Sonda Pt100 de 2 hilos	RS	- Pulsador de desbloqueo remoto
BT3	- Sonda Pt100 de 3 hilos	S1	- Selector apagado / automático / manual
BT4	- Sonda Pt100 de 3 hilos	S2	- Selector aumento / disminución potencia
BTEXT	- Sonda externa para la compensación climática del setpoint	SM	- Servomotor
BV	- Entrada con tensión DC 0...10 V	TA	- Transformador de encendido
BV1	- Entrada con tensión DC 0...10 V para modificar setpoint a distancia	TL	- Termostato/presostato de límite
CN1	- Conector para sonda de ionización	TR	- Termostato/presostato de regulación
F1	- Relé térmico motor ventilador	TS	- Termostato/presostato de seguridad
H	- Señalización de bloqueo a distancia	X1	- Regleta de conexión alimentación principal
IN	- Interruptor eléctrico de parada manual quemador	XPGM	- Conector presostato gas de máxima
ION	- Sonda de ionización	XP1	- Toma para kit
K1	- Relé salida contactos pulidos quemador encendido	XRWF	- Regleta de conexiones RWF
		Y	- Válvula de regulación del gas + válvula de seguridad del gas
		YVPS	- Dispositivo de control de estanqueidad válvulas gas







Kit regulador de potencia para funcionamiento modulante

Con el funcionamiento modulante el quemador adecua constantemente la potencia a la solicitud de calor asegurando gran estabilidad del parámetro controlado: temperatura o presión.

Hay que pedir dos componentes:

- el regulador de potencia, que se instala en el quemador;
- la sonda que se instala en el generador de calor.

Parámetro a controlar		Sonda		Regulador de potencia	
	Campo de regulación	Tipo	Código	Tipo	Código
Temperatura	- 100...+ 500°C	PT 100	3010110		
Presión	0...2,5 bar	Sonda con salida 4...20 mA	3010213	RWF50	20099869
	0...16 bar		3010214	RWF55	20099905

Kit regulador de potencia con señal 4-20 mA, 0-10V

Hay que pedir dos componentes:

- el convertidor de señal analógico;
- el potenciómetro.

Quemador	Potenciómetro		Convertidor de señal analógico	
	Tipo	Código	Tipo	Código
RS 70-100-130/M	ASZ...	3010416	E5202	3010415

Kit potenciómetro para indicación posición de carga

Quemador	Código Kit
RS 70-100-130/M	3010416

Kit interfaz adaptador RMG a PC

Quemador	Código Kit
RS 70-100-130/M	3002719

Caja insonorizador

Quemador	Código Kit	Tipo	Reducción media ruido
RS 70-100-130/M	3010404	C4/5	10 [dB(A)]

Kit cabezal largo

Quemador	Código Kit	Longitud cabezal estándar	Longitud cabezal a obtener con el kit
RS 70/M	3010117	250 mm	385 mm
RS 100/M	3010118	250 mm	385 mm
RS 130/M	3010119	280 mm	415 mm

Kit para funcionamiento con GPL

Quemador	Cabezal de combustión	Código Kit	Potencia que puede obtenerse con el Kit
RS 70/M	TC	20008175	200/470 ÷ 930 kW
	TL	20008176	
RS 100/M	TC	20008177	300/700 ÷ 1340 kW
	TL	20008178	
RS 130/M	TC	20008179	300/920 ÷ 1600 kW
	TL	20008180	

Kit para funcionamiento a TOWN GAS - no homologados CE

Quemador	Cabezal de combustión	Código Kit
RS 70/M	TC	3010286
	TL	
RS 100/M	TC	3010287
	TL	
RS 130/M	TC	3010288
	TL	

Kit distanciador

Quemador	Código Kit	Espesor
RS 70-100-130/M	3010129	135 mm

Kit ventilación continua

Quemador	Código Kit
RS 70-100-130/M	3010094

Kit reducción vibraciones (para calderas de inversión de llama)

Quemador	Cabezal de combustión	Código Kit
RS 70/M	TC	3010201
	TL	
RS 100/M	TC	3010202
	TL	
RS 130/M	TC	3010373
	TL	3010374

Kit protección contra las interferencias radio

En caso de instalar el quemador en ambientes especiales expuestos a interferencias radio (emisión de señales de más de 10 V/m) debido a la presencia de INVERTER o en aplicaciones donde las conexiones del termostato superan los 20 metros de longitud, se encuentra disponible un kit de protección como interfaz entre la caja de control y el quemador.

Quemador	Código kit
RS 70-100-130/M	3010386

Rampas de gas según norma EN 676

Consultar el manual.

La tabla indica las pérdidas de carga mínimas de la línea de alimentación de gas en función de la potencia máxima del quemador.

Los valores indicados en las tablas se refieren a:

- Gas natural G 20 PCI 9,45 kWh/Sm³ (8,2 Mcal/Sm³)
- Gas natural G 25 PCI 8,13 kWh/Sm³ (7,0 Mcal/Sm³)

Columna 1

Pérdida de carga cabezal de combustión.

Presión de gas medida en la toma 1)(Fig. 39), con:

- Cámara de combustión a 0 mbar;
- Quemador funcionando a potencia máxima;
- Cabezal de combustión regulado como se indica en el gráfico de la Fig. 16.

Columna 2

Pérdida de carga en válvula de mariposa del gas 2)(Fig. 39) con apertura máxima: 90°.

NOTA

Para conocer la potencia aproximada en la que está funcionando al máximo el quemador:

- Restar a la presión del gas en la toma 1)(Fig. 39) la presión de la cámara de combustión.
- Buscar en la tabla correspondiente al quemador en consideración, columna 1, el valor de presión más cercano al valor deseado.
- Leer a la izquierda la potencia correspondiente.

Ejemplo con gas natural G 20 - RS 100/M

- Funcionamiento a la MÁX potencia
- Tuerca del gas 2)(Fig. 15) regulada como se indica en el gráfico (Fig. 16)
- Presión de gas en la toma 1)(Fig. 39) = 8 mbar
- Presión en la cámara de combustión = 2,5 mbar
- 8 - 2,5 = 5,5 mbar

A una presión de 5,5 mbar, columna 1, corresponde en la tabla A una potencia de 900 kW. Este valor sirve como primera aproximación; el real se determinará a través del contador.

NOTA

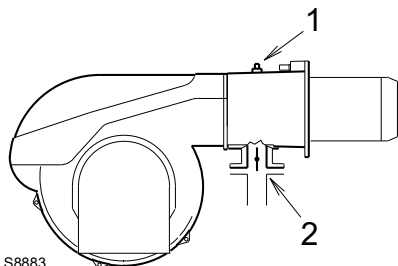
En cambio, para conocer la presión necesaria de gas en la toma 1)(Fig. 39), una vez fijada la potencia MÁX a la que se desea que funcione el quemador:

- hallar la potencia más cercana al valor deseado, en la tabla relativa al quemador que se considere.
- Leer a la derecha, en la columna 1, la presión en la toma 1)(Fig. 39).
- Sumar a este valor la sobrepresión estimada de la cámara de combustión.

Ejemplo con gas natural G 20 - RS 100/M

- Potencia MÁX deseada: 900 kW
- Tuerca del gas 2)(Fig. 15) regulada como se indica en el gráfico (Fig. 16)
- Presión del gas con una potencia de 900 kW = 5,5 mbar
- Presión en la cámara de combustión = 2,5 mbar
- 5,5 + 2,5 = 8 mbar

presión necesaria en la toma 1)(Fig. 39).



S8883

Fig. 39

Mod.	kW	1 Δp (mbar)		2 Δp (mbar)	
		G 20	G 25	G 20	G 25
RS 70/M	470	4,2	5,7	0,4	0,5
	500	4,6	6,3	0,5	0,5
	550	5,3	7,2	0,6	0,7
	600	6,0	8,2	0,7	0,8
	650	6,7	9,1	0,8	0,9
	700	7,4	10,1	0,9	1,1
	750	8,5	11,8	1,0	1,2
	800	9,6	13,4	1,2	1,4
	850	10,8	15,1	1,3	1,6
	900	12,1	16,9	1,5	1,8
930	12,9	17,9	1,6	1,9	

RS 100/M	700	3,1	4,6	0,7	1,0
	750	3,7	5,5	0,8	1,1
	800	4,3	6,4	0,9	1,2
	850	4,9	7,3	1,0	1,4
	900	5,5	8,2	1,1	1,6
	950	6,2	9,0	1,2	1,8
	1000	6,8	9,9	1,3	1,9
	1050	7,3	10,7	1,5	2,1
	1100	7,9	11,6	1,6	2,4
	1150	8,4	12,4	1,8	2,6
	1200	9,1	13,5	1,9	2,8
	1250	9,9	14,8	2,1	3,0
	1300	10,8	16,1	2,3	3,3
	1340	11,4	17,1	2,4	3,5

RS 130/M	920	4,5	7,0	1,3	2,0
	950	4,7	7,4	1,4	2,1
	1000	5,1	7,9	1,5	2,3
	1050	5,5	8,5	1,7	2,5
	1100	5,9	9,1	1,8	2,8
	1150	6,2	9,6	2,0	3,1
	1200	6,6	10,2	2,2	3,3
	1250	7,0	10,8	2,4	3,6
	1300	7,4	11,3	2,6	3,9
	1350	7,8	11,9	2,8	4,2
	1400	8,2	12,8	3,0	4,5
	1450	8,6	13,8	3,2	4,9
	1500	9,0	14,7	3,4	5,2
	1550	10,2	15,6	3,6	5,6
	1600	11,4	16,6	3,9	5,9
	1605	11,5	16,7	3,9	6,0



ATENCIÓN

Los datos de potencia térmica y presión del gas en el cabezal corresponden al funcionamiento con válvula de mariposa de gas completamente abierta (90°).

El campo de trabajo del quemador reproducido en el manual es válido para una temperatura ambiente de 20 °C y una altitud de 0 m s.n.m. (presión barométrica de 1.013 mbar aproximadamente).

Puede suceder que el quemador deba funcionar con aire comburente a una temperatura superior y/o altitudes mayores.

El calentamiento del aire y el aumento de la altitud producen el mismo efecto: la expansión del volumen de aire, o sea que su densidad se reduce.

El caudal del ventilador del quemador permanece prácticamente igual pero se reduce el contenido de oxígeno por m³ de aire y el impulso (la altura barométrica) del ventilador.

Es importante entonces saber si la potencia máxima solicitada al quemador con una determinada presión en la cámara de combustión permanece dentro del campo de trabajo del quemador, incluso en caso de cambiar las condiciones de temperatura y altitud.

Para verificarlo se procede del siguiente modo:

- 1 -Buscar el factor de corrección F correspondiente a la temperatura del aire y a la altitud de la instalación en la tabla del lado.
- 2 -Dividir la potencia Q solicitada al quemador por F para obtener la potencia equivalente Qe:

$$Q_e = Q : F \text{ (kW)}$$

- 3 -Marcar en el campo de trabajo del quemador el punto de trabajo, identificado por:
 Qe = potencia equivalente
 H1 = presión en la cámara de combustión
 punto A que debe quedar dentro del campo de trabajo (Fig. 40).
- 4 -Trazar una vertical desde el punto A, Fig. 40, y encontrar la máxima presión H2 del campo de trabajo.
- 5 -Multiplicar H2 por F para obtener la máxima presión disminuida H3 del campo de trabajo

$$H_3 = H_2 \times F \text{ (mbar)}$$

Si H3 es mayor que H1, como en la Fig. 40, el quemador puede erogar el caudal requerido.

Si H3 es menor que H1 será necesario reducir la potencia del quemador. La reducción de la potencia está acompañada por una reducción de la presión en la cámara de combustión:

Qr = potencia reducida

H1r = presión reducida

$$H_{1r} = H_1 \times \left(\frac{Q_r}{Q}\right)^2$$

Ejemplo, reducción de potencia del 5%:

$$Q_r = Q \times 0,95$$

$$H_{1r} = H_1 \times (0,95)^2$$

Con los nuevos valores de Qr y H1r repetir los pasos 2 - 5.

Atención:

el cabezal de combustión se regula según la potencia equivalente Qe.

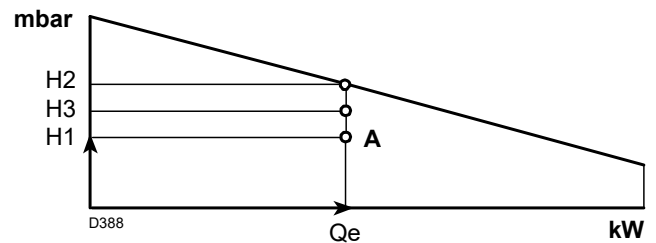


Fig. 40

Altitud m s.n.m.	Presión barométrica media mbar	F							
		Temperatura del aire °C							
		0	5	10	15	20	25	30	40
0	1013	1,087	1,068	1,049	1,031	1,013	0,996	0,980	0,948
100	1000	1,073	1,054	1,035	1,017	1,000	0,983	0,967	0,936
200	989	1,061	1,042	1,024	1,006	0,989	0,972	0,956	0,926
300	978	1,050	1,031	1,013	0,995	0,978	0,962	0,946	0,916
400	966	1,037	1,018	1,000	0,983	0,966	0,950	0,934	0,904
500	955	1,025	1,007	0,989	0,972	0,955	0,939	0,923	0,894
600	944	1,013	0,995	0,977	0,960	0,944	0,928	0,913	0,884
700	932	1,000	0,982	0,965	0,948	0,932	0,916	0,901	0,872
800	921	0,988	0,971	0,954	0,937	0,921	0,906	0,891	0,862
900	910	0,977	0,959	0,942	0,926	0,910	0,895	0,880	0,852
1000	898	0,964	0,946	0,930	0,914	0,898	0,883	0,868	0,841
1200	878	0,942	0,925	0,909	0,893	0,878	0,863	0,849	0,822
1400	856	0,919	0,902	0,886	0,871	0,856	0,842	0,828	0,801
1600	836	0,897	0,881	0,866	0,851	0,836	0,822	0,808	0,783
1800	815	0,875	0,859	0,844	0,829	0,815	0,801	0,788	0,763
2000	794	0,852	0,837	0,822	0,808	0,794	0,781	0,768	0,743
2400	755	0,810	0,796	0,782	0,768	0,755	0,742	0,730	0,707
2800	714	0,766	0,753	0,739	0,726	0,714	0,702	0,690	0,668
3200	675	0,724	0,711	0,699	0,687	0,675	0,664	0,653	0,632
3600	635	0,682	0,669	0,657	0,646	0,635	0,624	0,614	0,594
4000	616	0,661	0,649	0,638	0,627	0,616	0,606	0,596	0,577

RIELLO

RIELLO S.p.A.
I-37045 Legnago (VR)
Tel.: +39.0442.630111
[http:// www.riello.it](http://www.riello.it)
[http:// www.riello.com](http://www.riello.com)